



US00D413042S

United States Patent [19] Nilsson

[11] **Patent Number: Des. 413,042**

[45] **Date of Patent: ** Aug. 24, 1999**

[54] **BAKING TINS HOLDER WITH BAKING TIN INSERTS**

[76] Inventor: **Rune Nilsson**, Box 2074, 61202
Finsnang, Sweden

[**] Term: **14 Years**

[21] Appl. No.: **29/068,230**

[22] Filed: **Mar. 25, 1997**

[51] **LOC (6) Cl.** **07-02**

[52] **U.S. Cl.** **D7/357**

[58] **Field of Search** D7/354-361, 409;
99/416, 426, 448, 450, 447; 220/23.2, 534;
249/157, 120

[56] **References Cited**

U.S. PATENT DOCUMENTS

D. 214,073	5/1969	Burford	D7/357
240,138	4/1881	Jackson	220/23.2
D. 241,403	9/1976	Holmqvist	D7/357
403,683	5/1889	Magruder	220/534
872,837	12/1907	Mio	249/157
1,671,450	5/1928	Ross	99/447
1,965,647	7/1934	Jackson	220/23.2
3,291,334	12/1966	Kaufman	220/23.2
3,478,998	11/1969	Burford	249/120
4,195,747	4/1980	Hare	220/23.2
5,363,750	11/1994	Miller et al.	99/426

Primary Examiner—Caron D. Veynar

Attorney, Agent, or Firm—Davis and Bujold

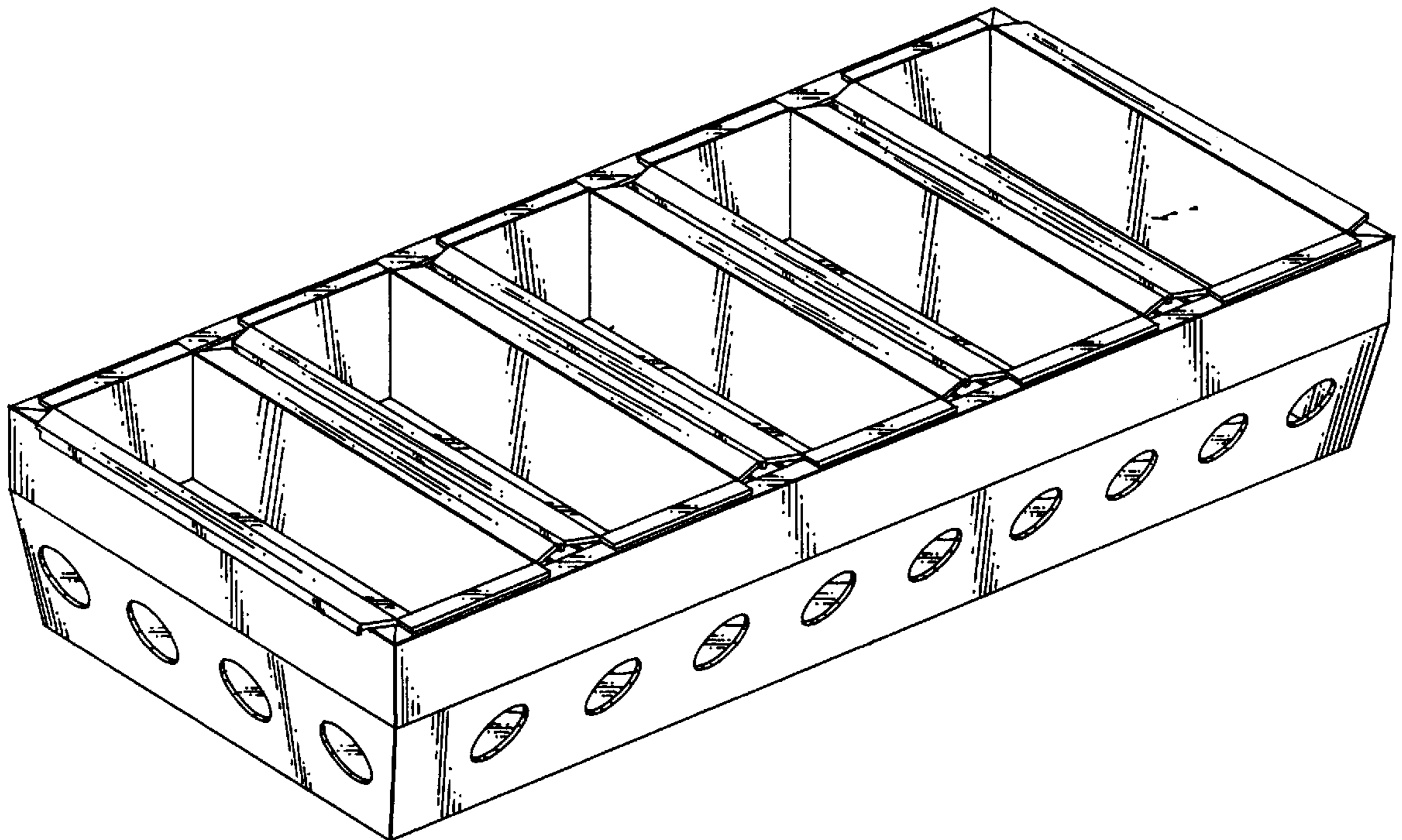
[57] **CLAIM**

The ornamental design for baking tins holder with baking tin inserts, as shown and described.

DESCRIPTION

FIG. 1 is a perspective view of the baking tins holder with baking tin inserts showing my new design;
 FIG. 2 is a perspective view of the baking tins holder shown separately for ease of illustration;
 FIG. 3 is a top plan view of FIG. 2;
 FIG. 4 is a front elevation view of FIG. 2, the rear elevation view is a mirror image thereof;
 FIG. 5 is a bottom plan view of FIG. 2;
 FIG. 6 is a left side elevation view of FIG. 2, the right side elevation view is a mirror image thereof;
 FIG. 7 is a top plan view of FIG. 11 showing one of the baking tin inserts separately for ease of illustration;
 FIG. 8 is a right side elevation view of FIG. 11, the left side elevation view is a mirror image thereof;
 FIG. 9 is a front elevation view of FIG. 11, the rear elevation view is a mirror image thereof;
 FIG. 10 is a bottom plan view of FIG. 11;
 FIG. 11 is a perspective view of the baking tin insert; and,
 FIG. 12 is a second embodiment of the baking tins holder of FIGS. 2-6, the difference being the supports across the inside of the holder.

1 Claim, 7 Drawing Sheets



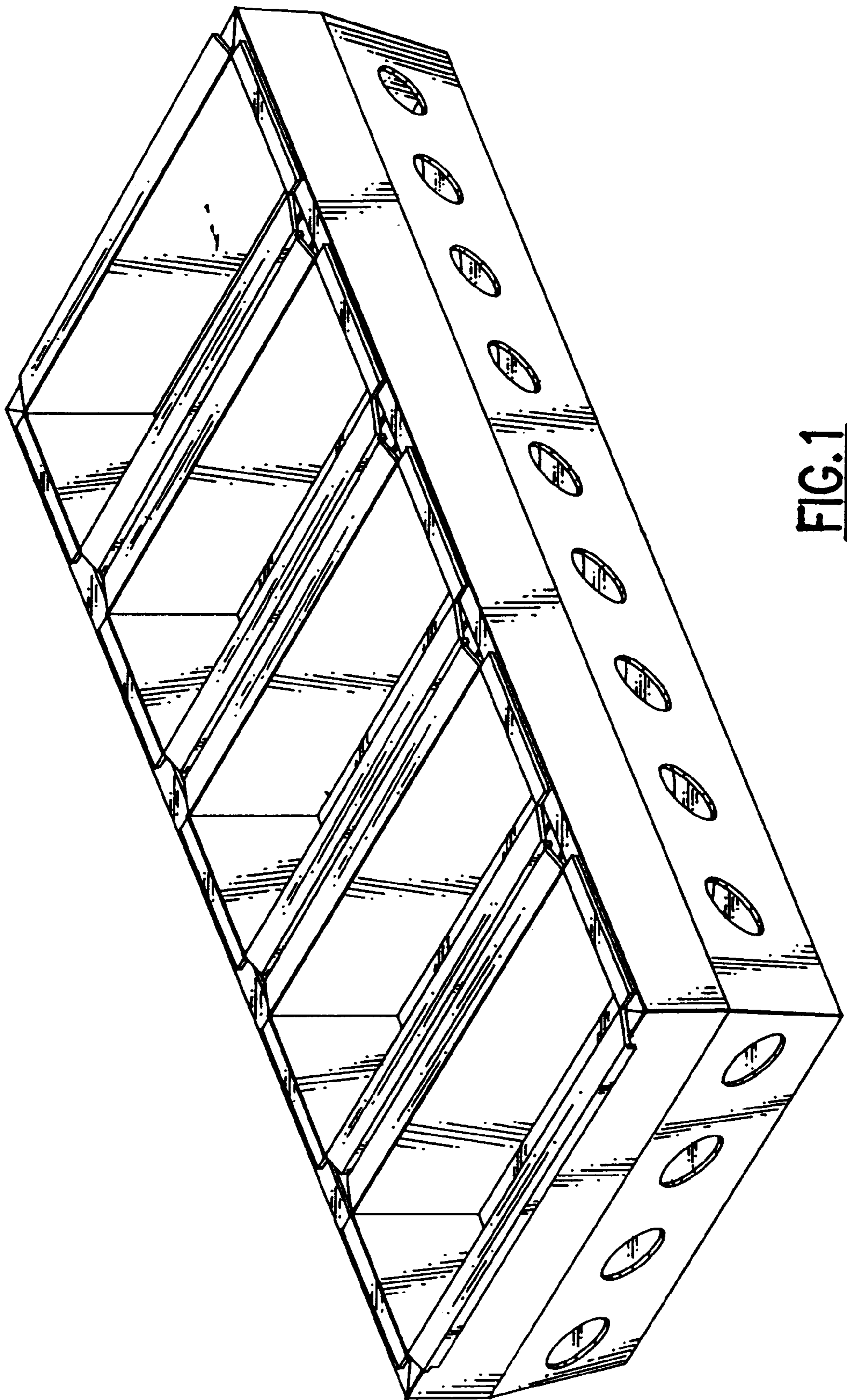


FIG. 1

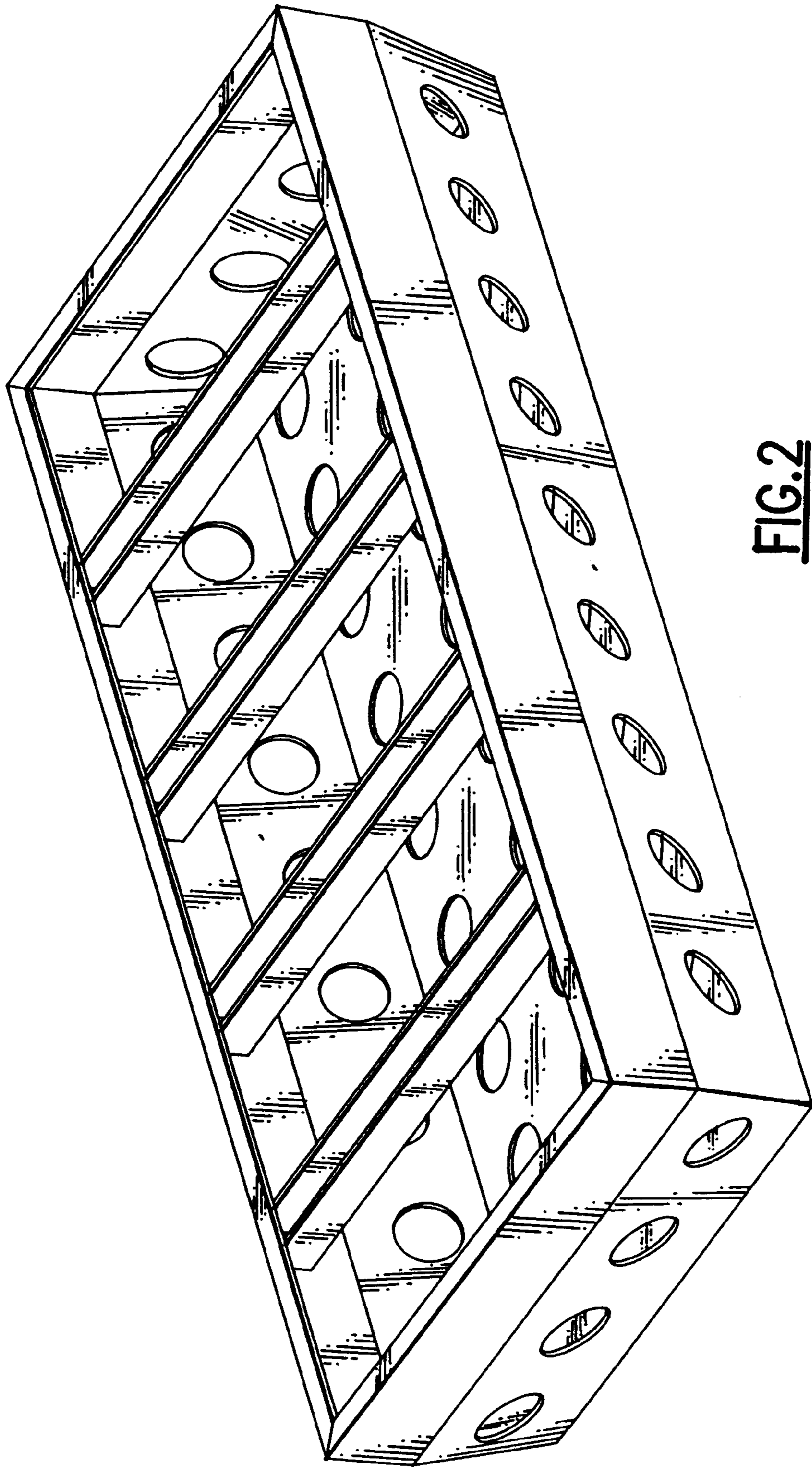


FIG. 2

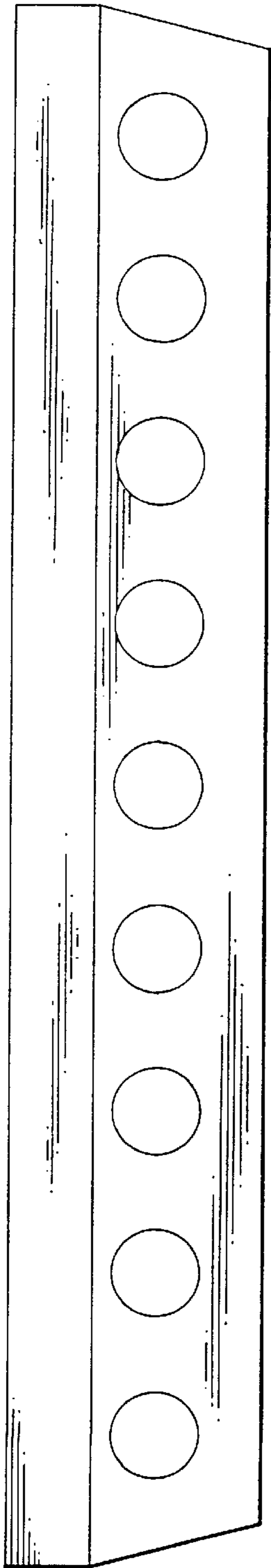


FIG. 4

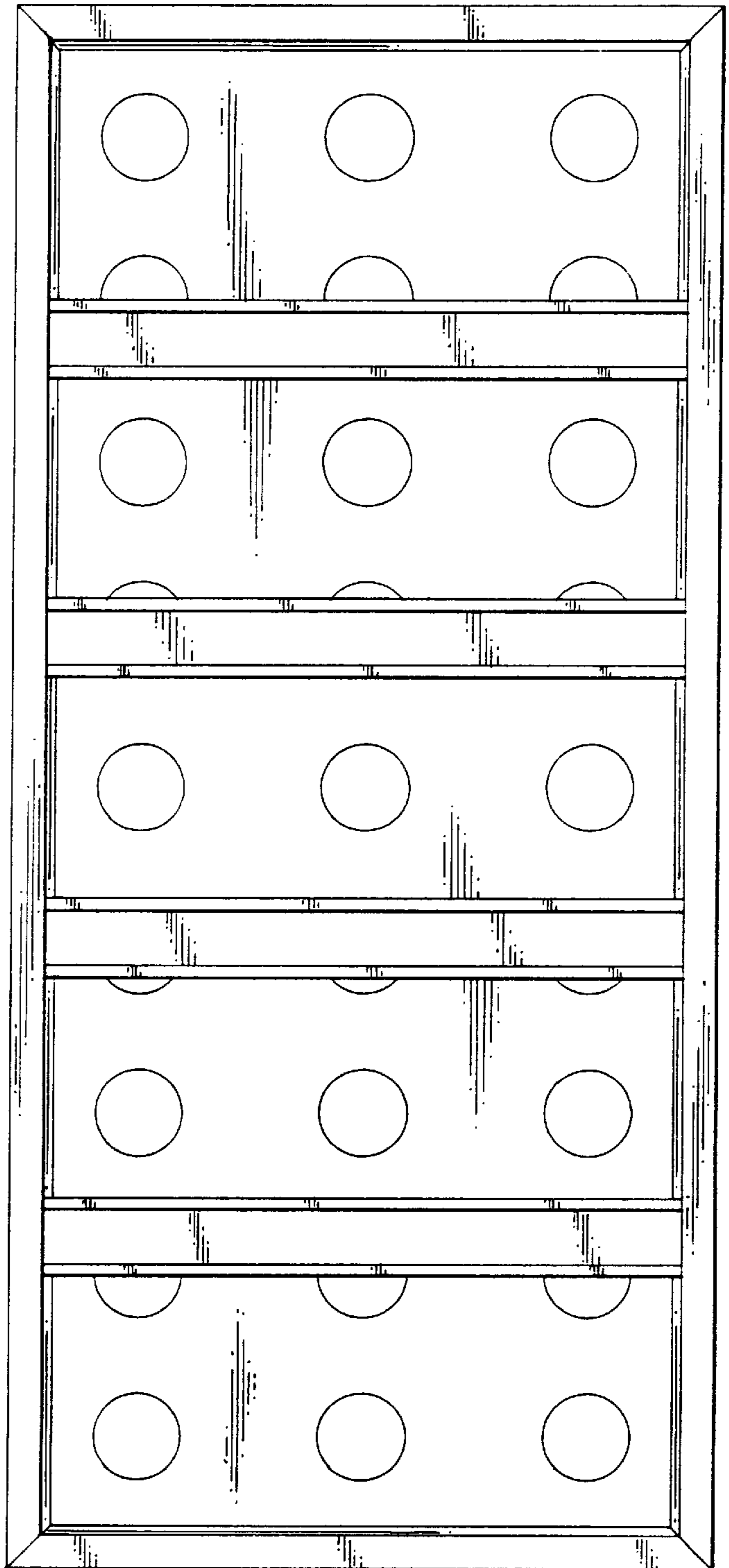


FIG. 3

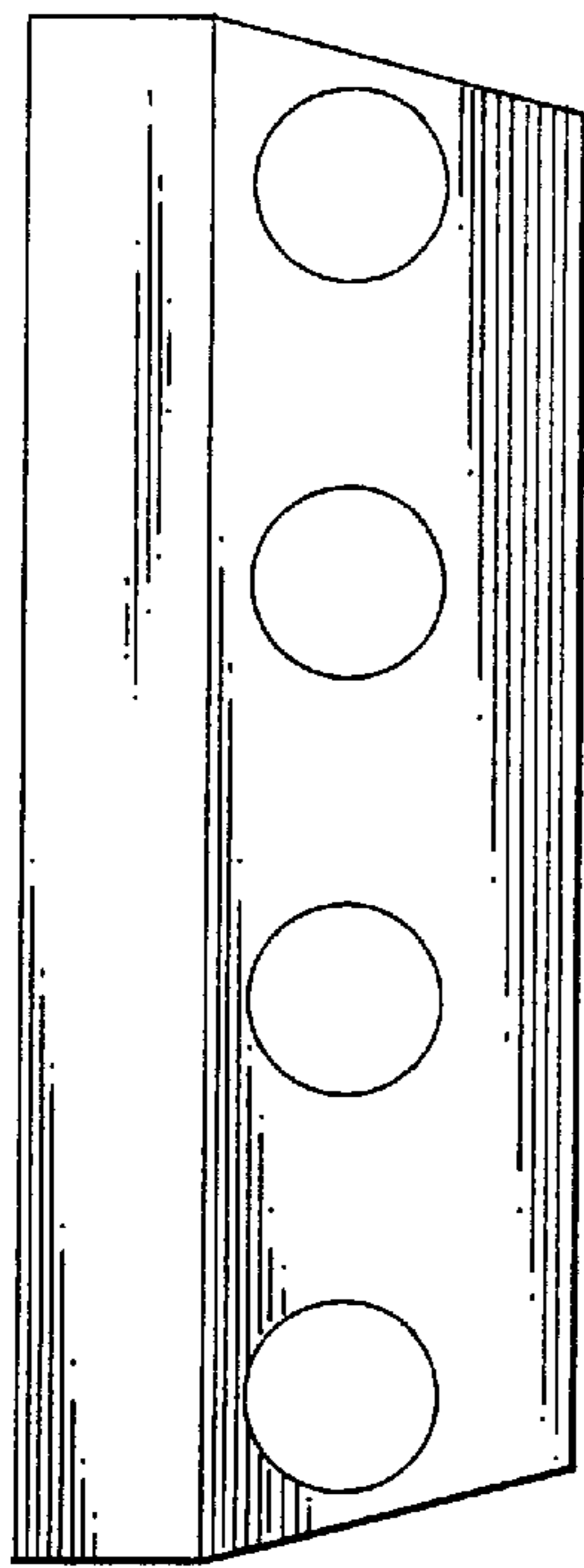


FIG. 6

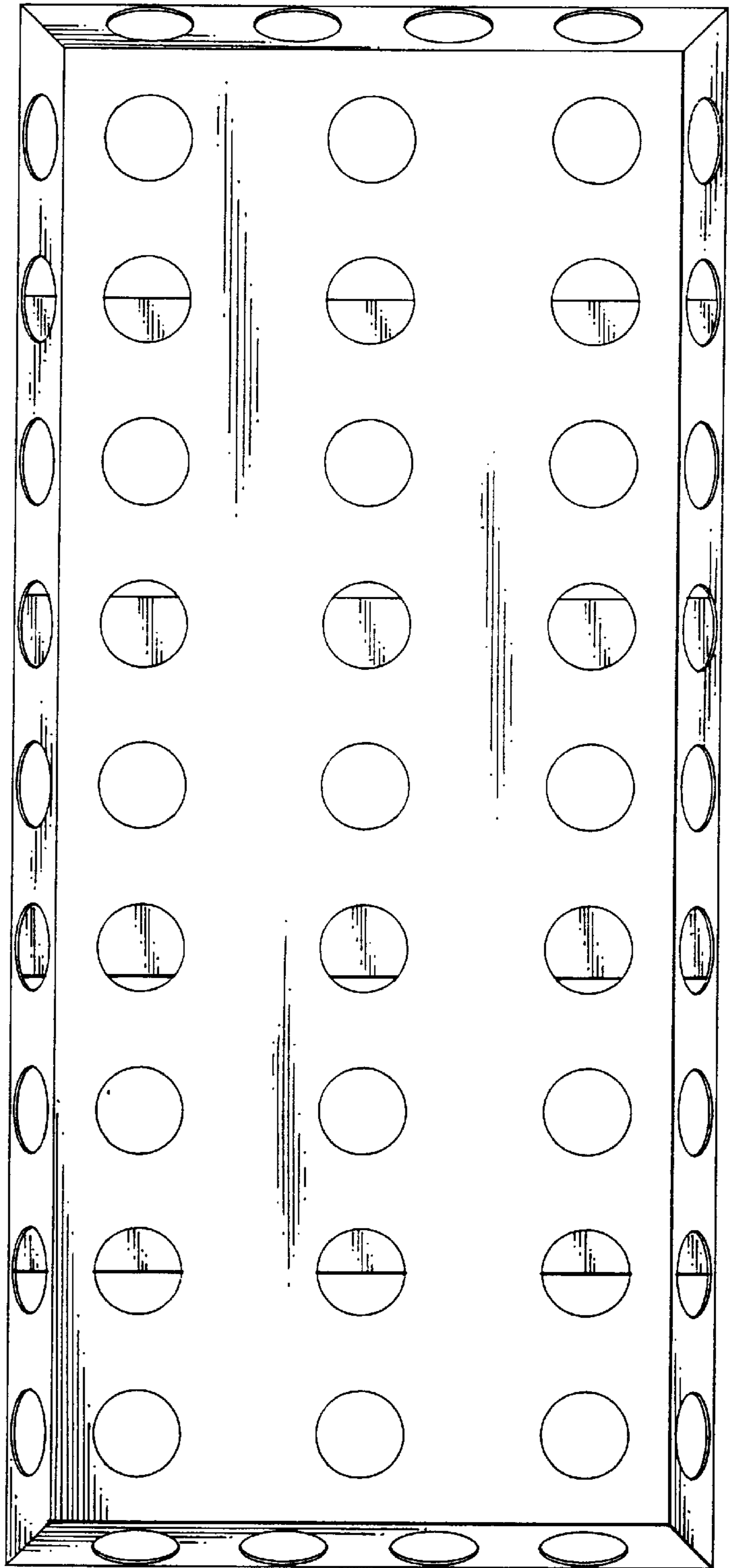


FIG. 5

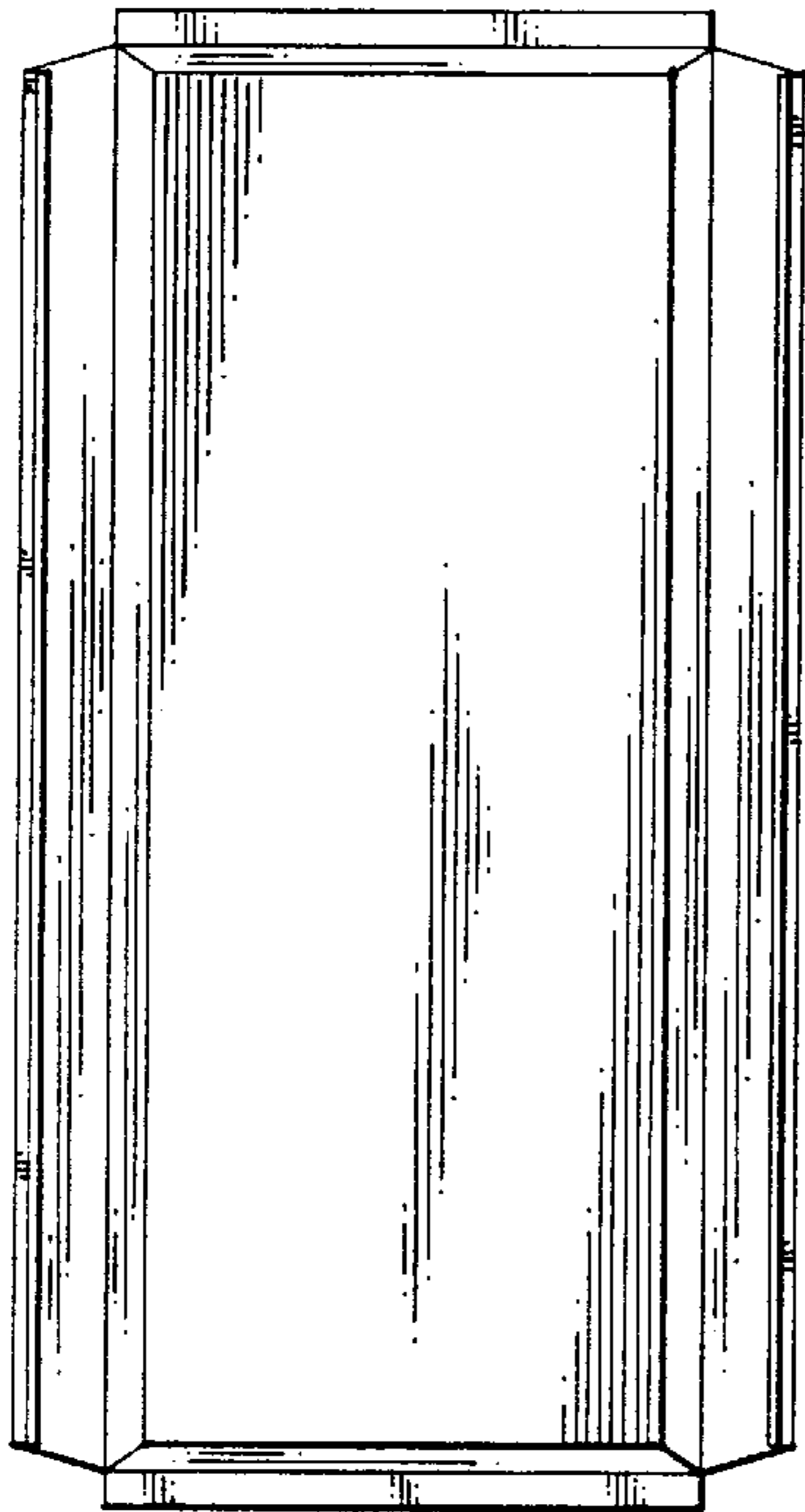


FIG. 10

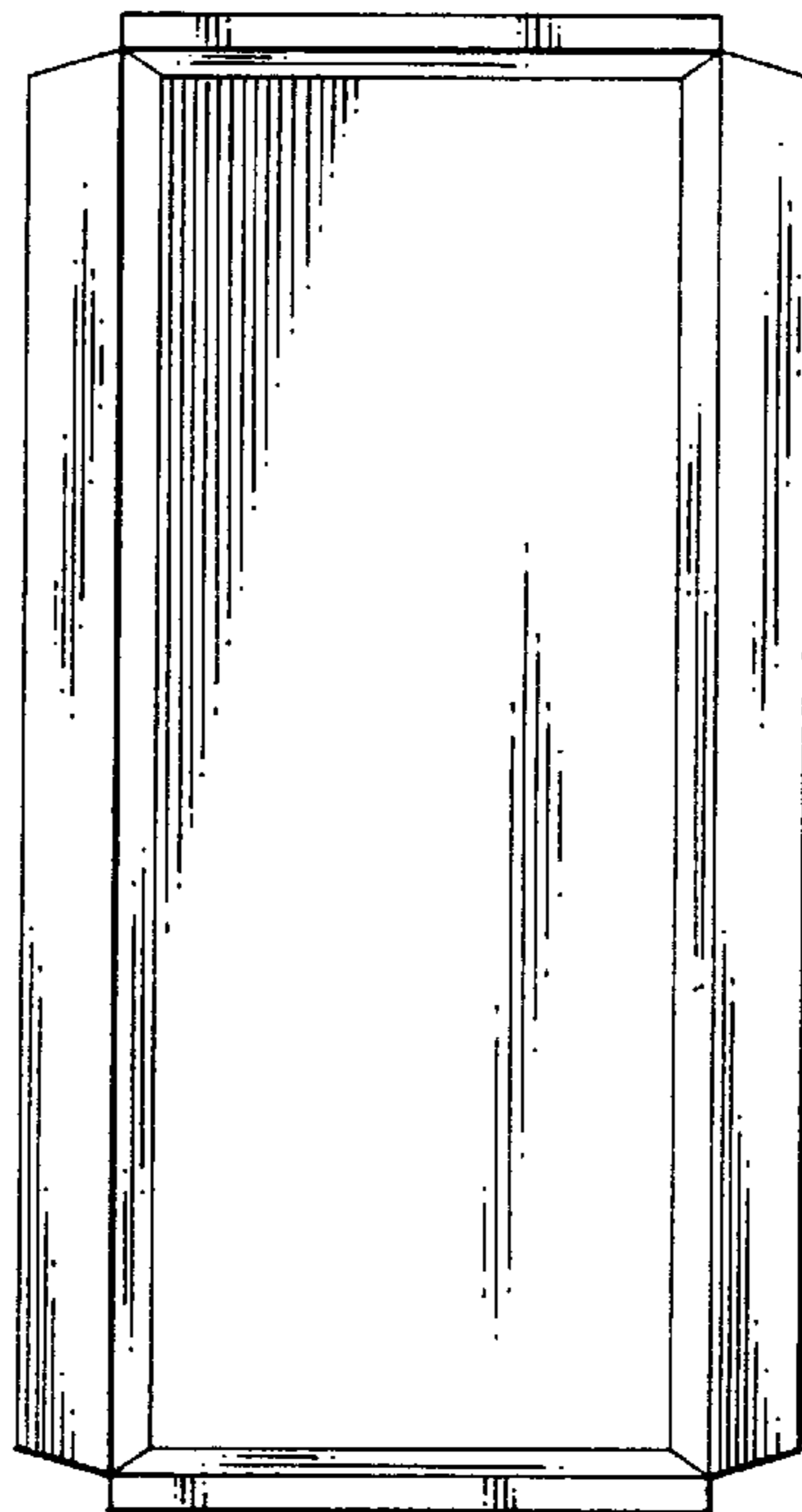


FIG. 7

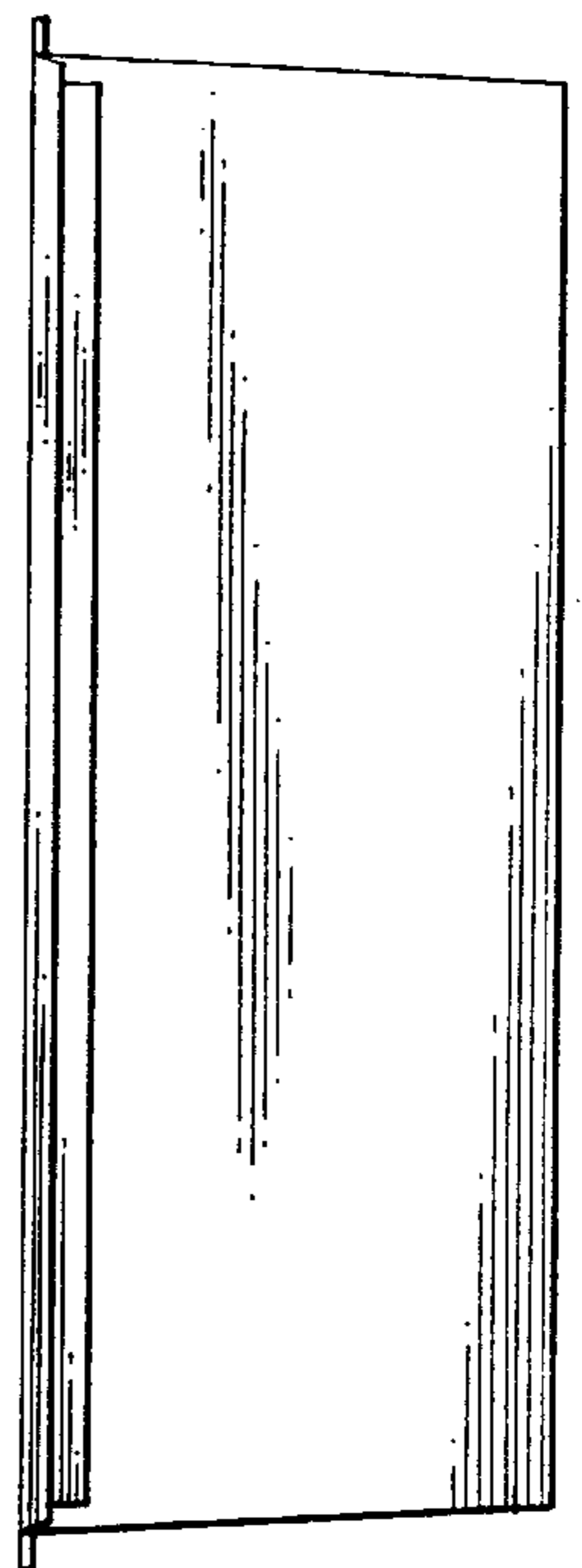


FIG. 8

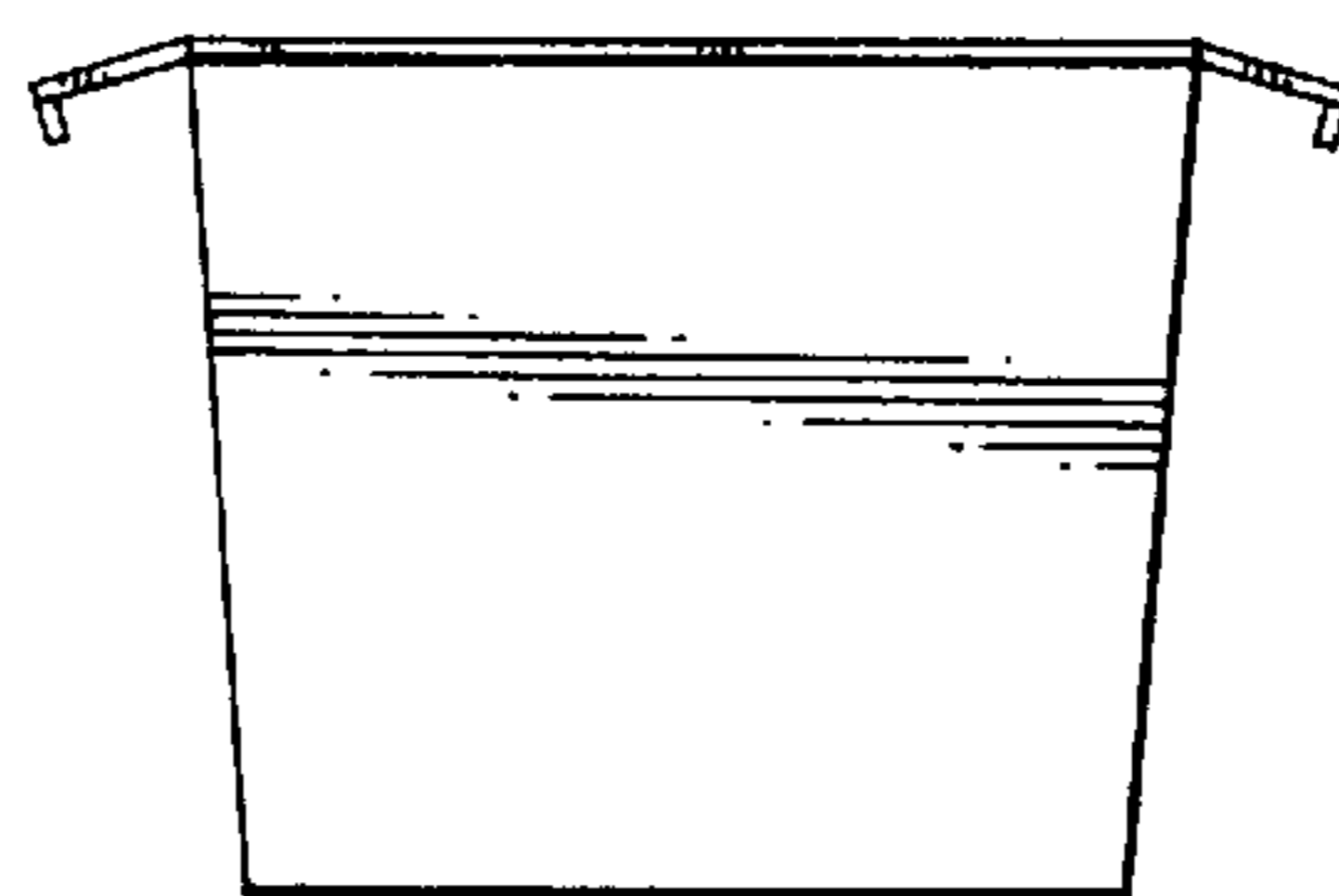


FIG. 9

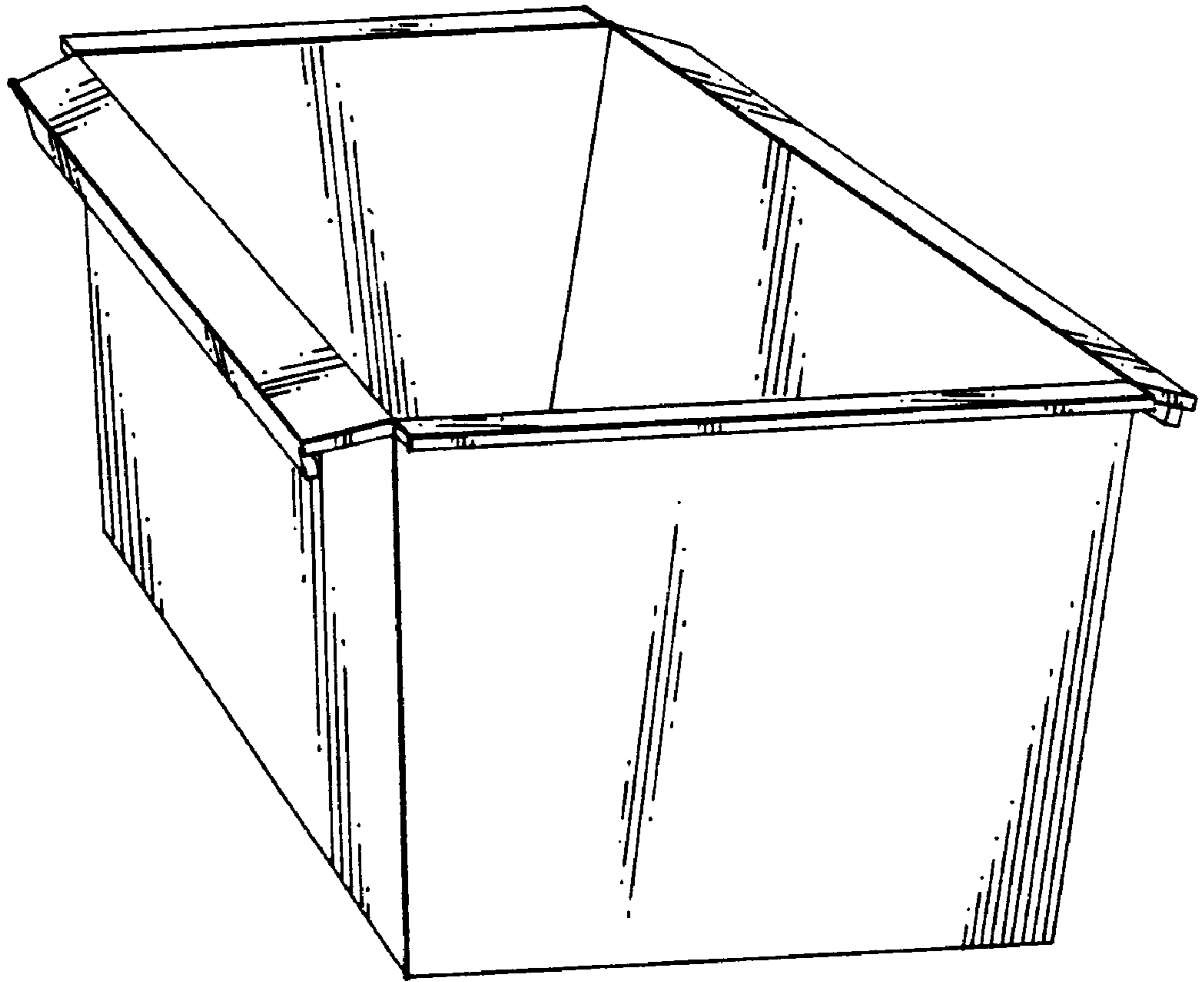


FIG. 11

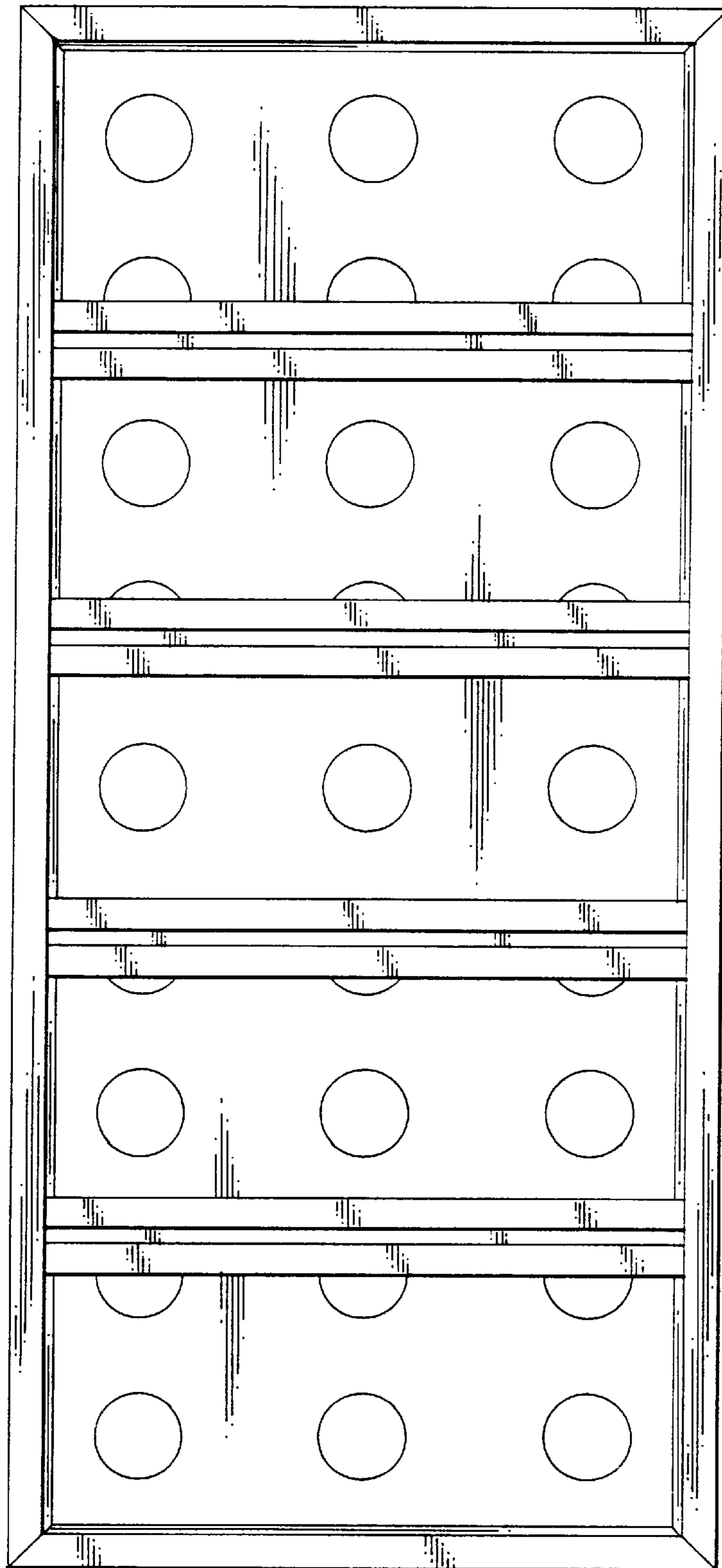


FIG. 12