



US00D413039S

# United States Patent [19] Schülein

[11] **Patent Number: Des. 413,039**

[45] **Date of Patent: \*\* Aug. 24, 1999**

[54] **POURING POT**

D. 390,744 2/1998 Otero ..... D7/321  
3,591,060 7/1971 Nakamura et al. .... 222/475

[75] Inventor: **Rolf Günter Schülein**, Singhofen,  
Germany

### FOREIGN PATENT DOCUMENTS

M97 01 662 9/1997 Germany .

[73] Assignee: **Leifheit AG**, Nassau, Germany

*Primary Examiner*—M. N. Pandozzi  
*Attorney, Agent, or Firm*—Frishauf, Holtz, Goodman,  
Langer & Chick

[\*\*] Term: **14 Years**

[21] Appl. No.: **29/081,669**

### [57] CLAIM

[22] Filed: **Jan. 8, 1998**

The ornamental design of a pouring pot, as shown and described.

[51] **LOC (6) Cl. .... 07-01**

### DESCRIPTION

[52] **U.S. Cl. .... D7/322; D7/321; D7/312**

[58] **Field of Search** ..... D7/300, 538, 543,  
D7/312, 315, 316, 317, 318, 319, 321,  
601, 602, 590, 598, 322, 600; 99/295; 222/143,  
475, 475.1

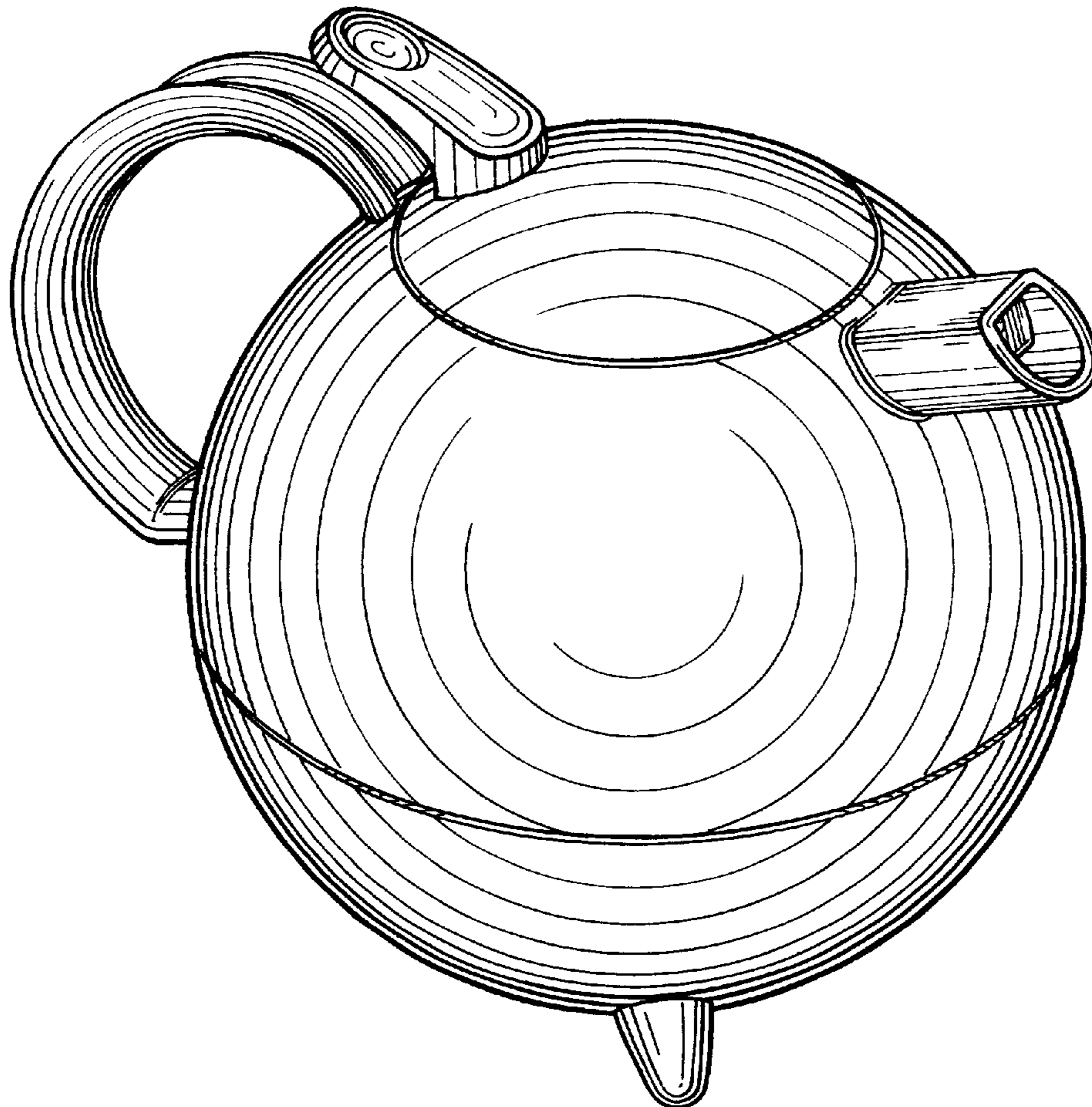
FIG. 1 is a top front left side perspective view of a pouring pot showing my new design;  
FIG. 2 is a front elevational view thereof;  
FIG. 3 is a right side elevational view, the left side being a mirror image thereof;  
FIG. 4 is a rear elevational view;  
FIG. 5 is a top plan view; and,  
FIG. 6 is a bottom plan view.

### [56] References Cited

#### U.S. PATENT DOCUMENTS

D. 287,984 1/1987 Thomson et al. .... D7/312 X  
D. 308,313 6/1990 Ancona et al. .... D7/322  
D. 343,759 2/1994 Jorgensen ..... D7/318  
D. 381,859 8/1997 Joergensen ..... D7/322

**1 Claim, 3 Drawing Sheets**



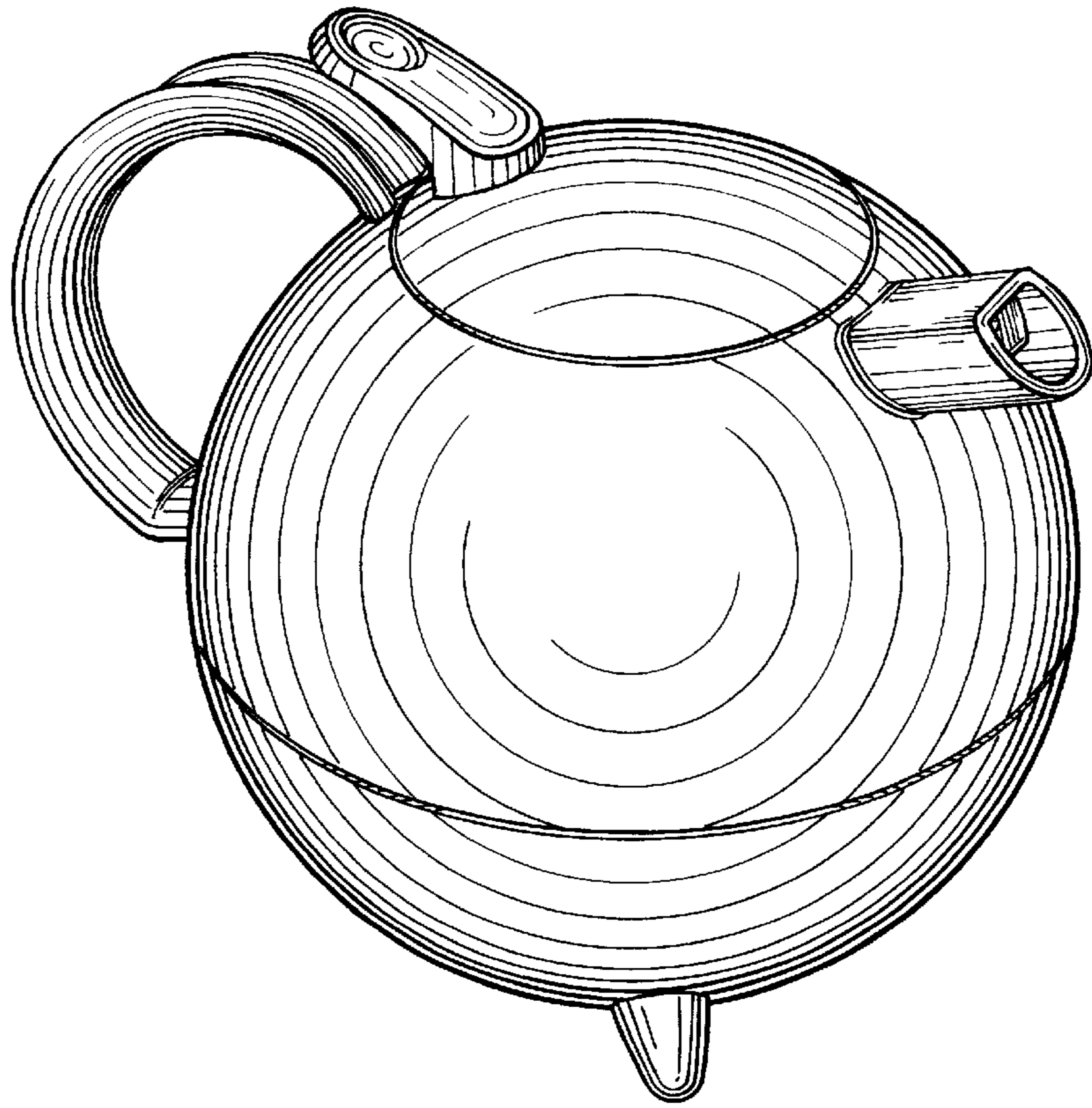


FIG. 1

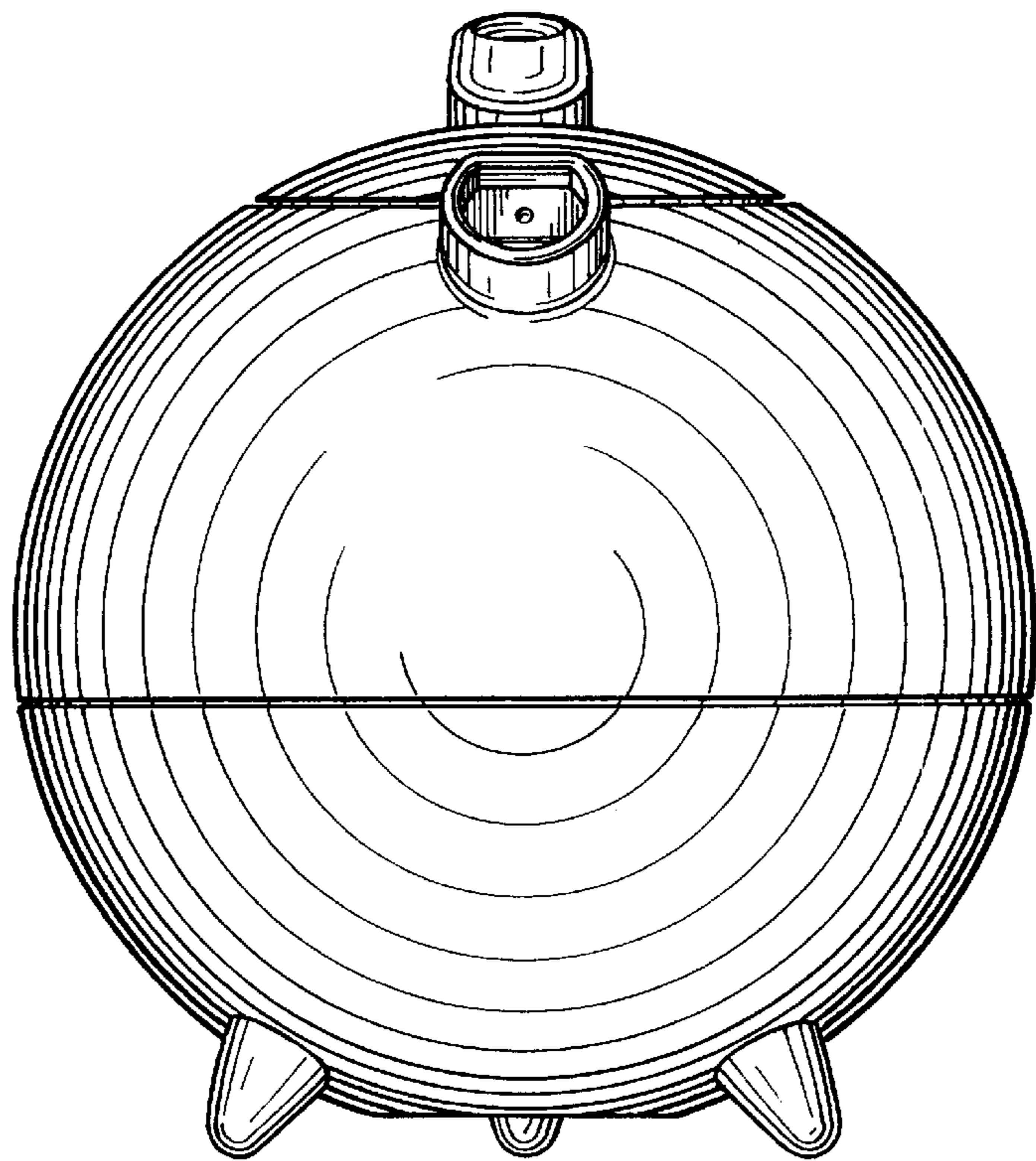


FIG. 2

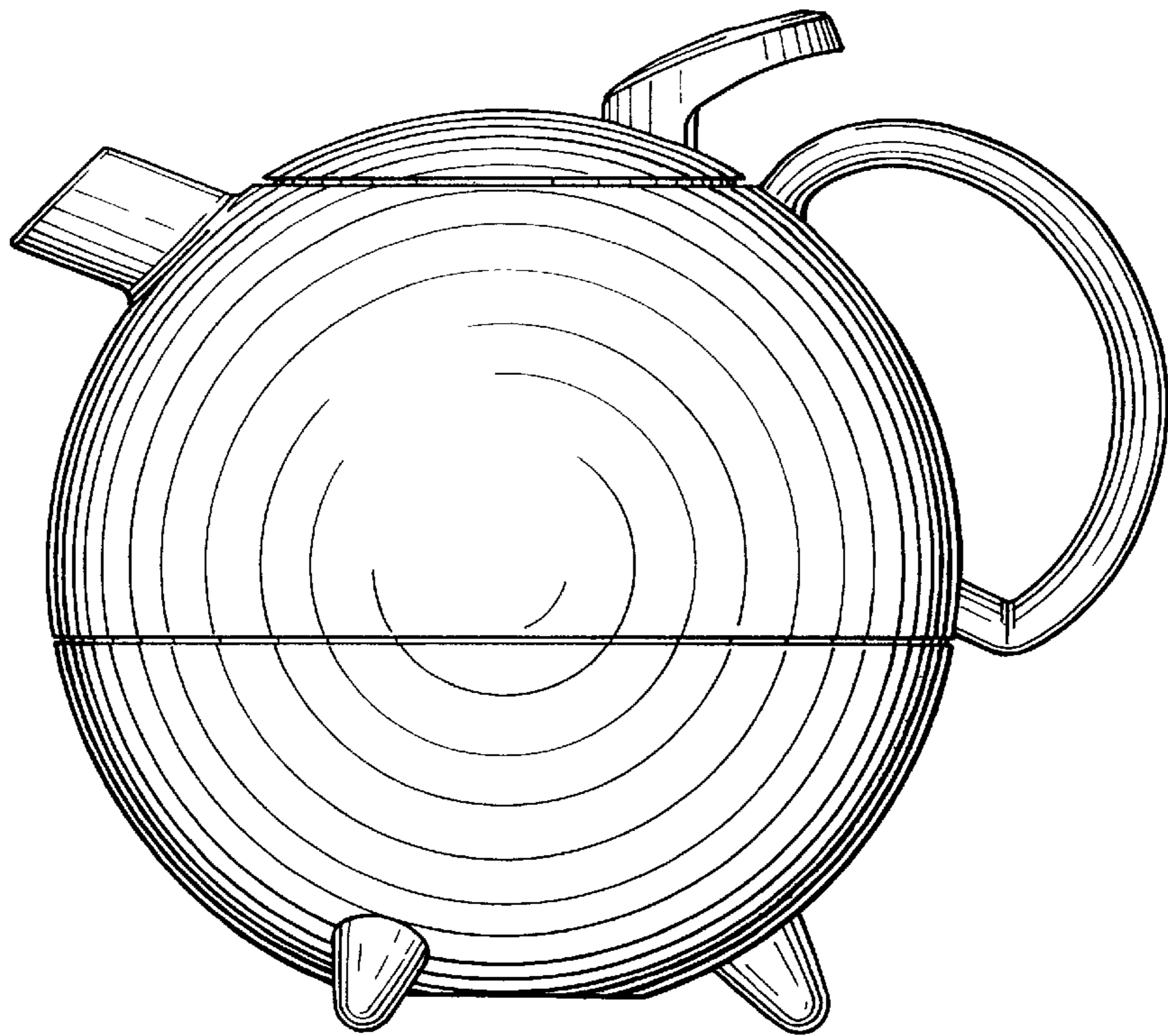


FIG. 3

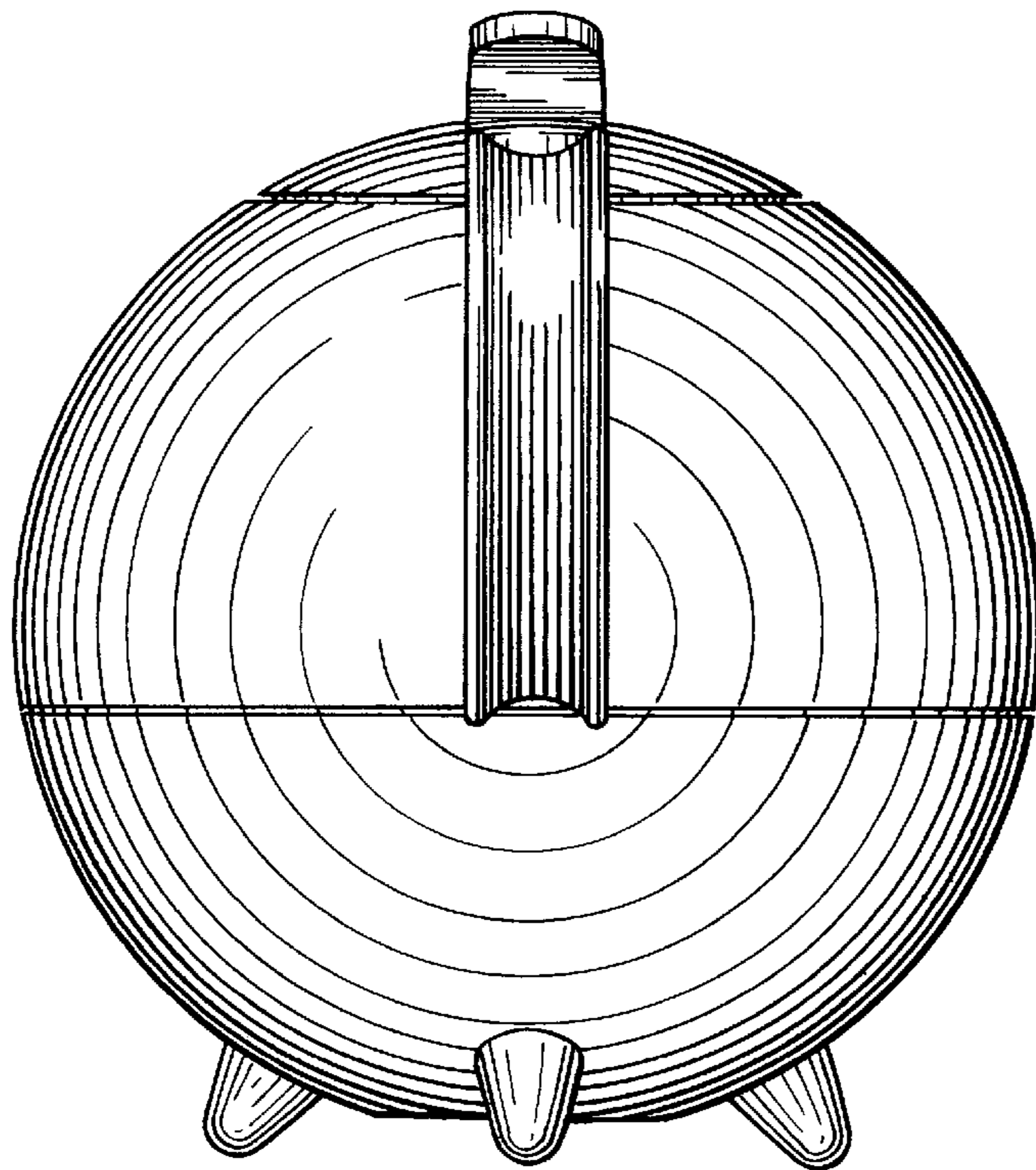


FIG. 4

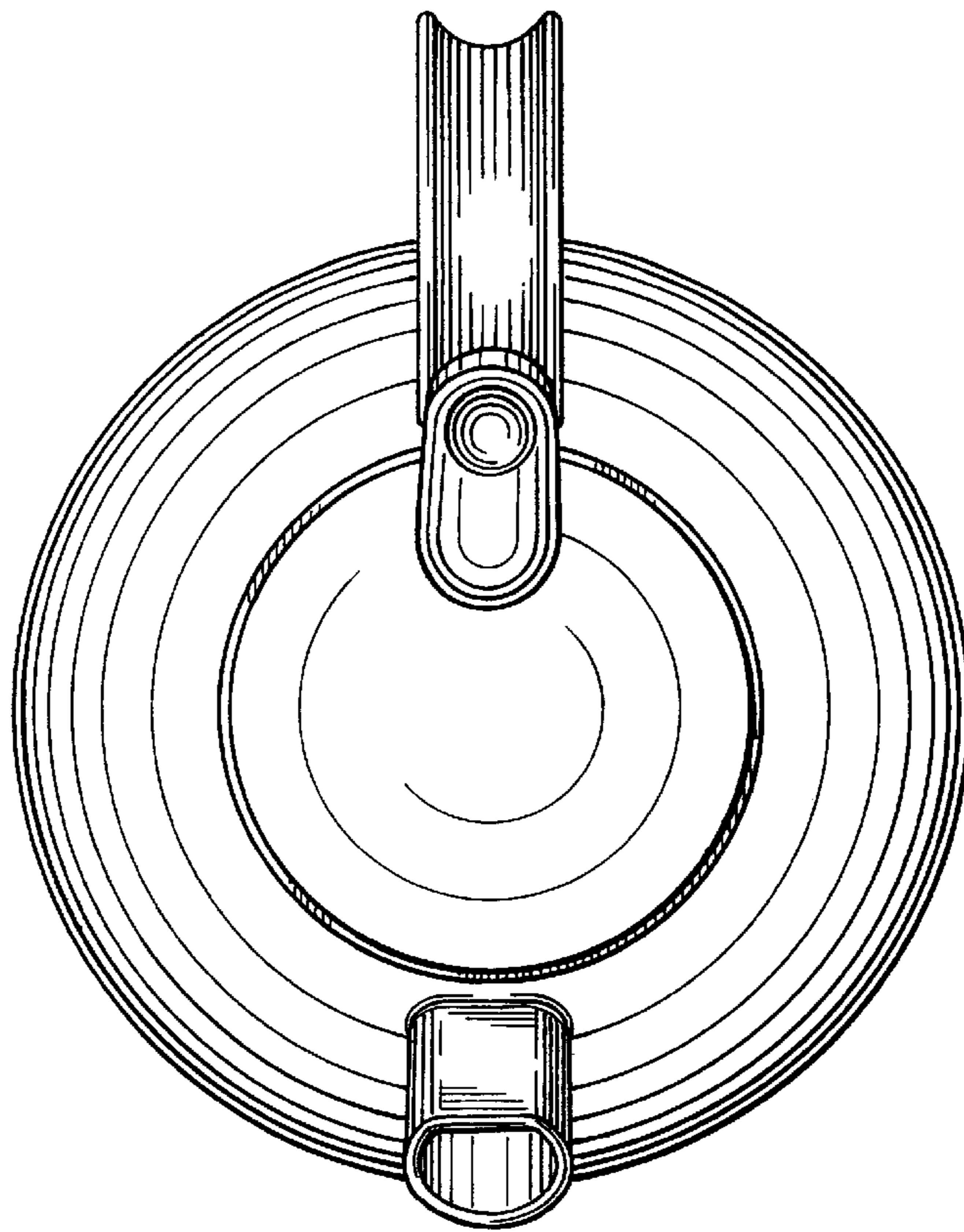


FIG. 5

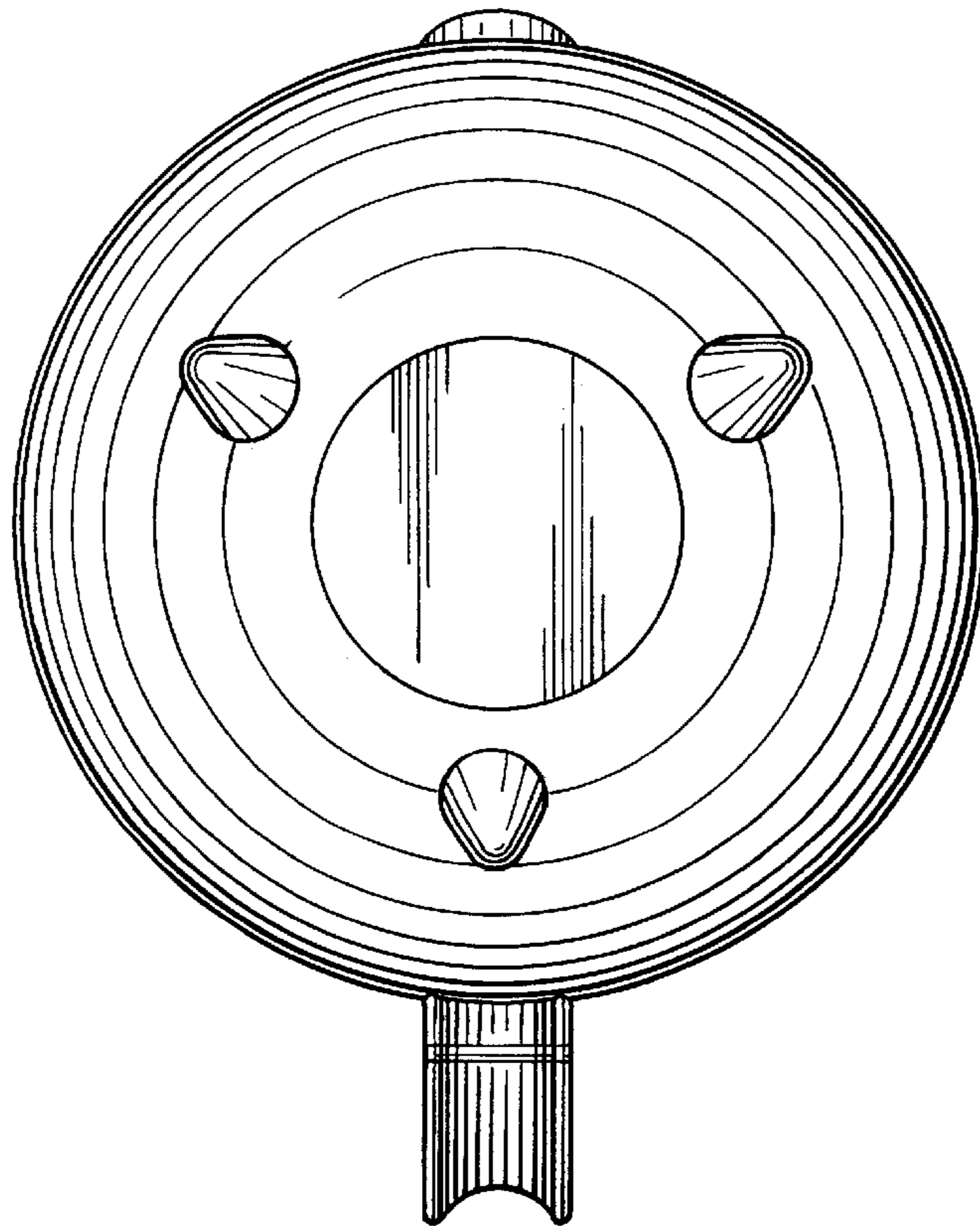


FIG. 6