



US00D413035S

# United States Patent [19]

Weterrings et al.

[11] Patent Number: Des. 413,035

[45] Date of Patent: \*\* Aug. 24, 1999

[54] LARGE SPICE JAR RACK

[75] Inventors: Frans M. Weterrings, Tuscumbia; E. Stanley Robbins, Killen, both of Ala.

[73] Assignee: Robbins Industries, Inc., Florence, Ala.

[\*\*] Term: 14 Years

[21] Appl. No.: 29/054,008

[22] Filed: May 3, 1996

[51] LOC (6) Cl. .... 08-08

[52] U.S. Cl. .... D6/572

[58] Field of Search ..... D6/553, 552, 572; D7/601, 602, 701, 590; 248/309.1, 311.3, 312, 312.1, 313

D. 273,162	3/1984	Halverson .	
1,235,929	8/1917	Hauck .	
1,354,983	10/1920	Lloyd .	
1,655,881	1/1928	Steeves .	
2,508,945	5/1950	Heuer .	
2,616,751	11/1952	Goldenberg .	
3,295,474	1/1967	Ornstein .	
3,946,877	3/1976	Galicia .	
3,986,695	10/1976	Hronas .....	248/312 X
4,350,253	9/1982	Rusteberg .	
4,637,580	1/1987	Idstein .....	248/312

Primary Examiner—Brian N. Vinson  
Attorney, Agent, or Firm—Whitman Breed Abbott & Morgan LLC; Gregor N. Neff

### [57] CLAIM

The ornamental design for a large spice jar rack, as shown and described.

### DESCRIPTION

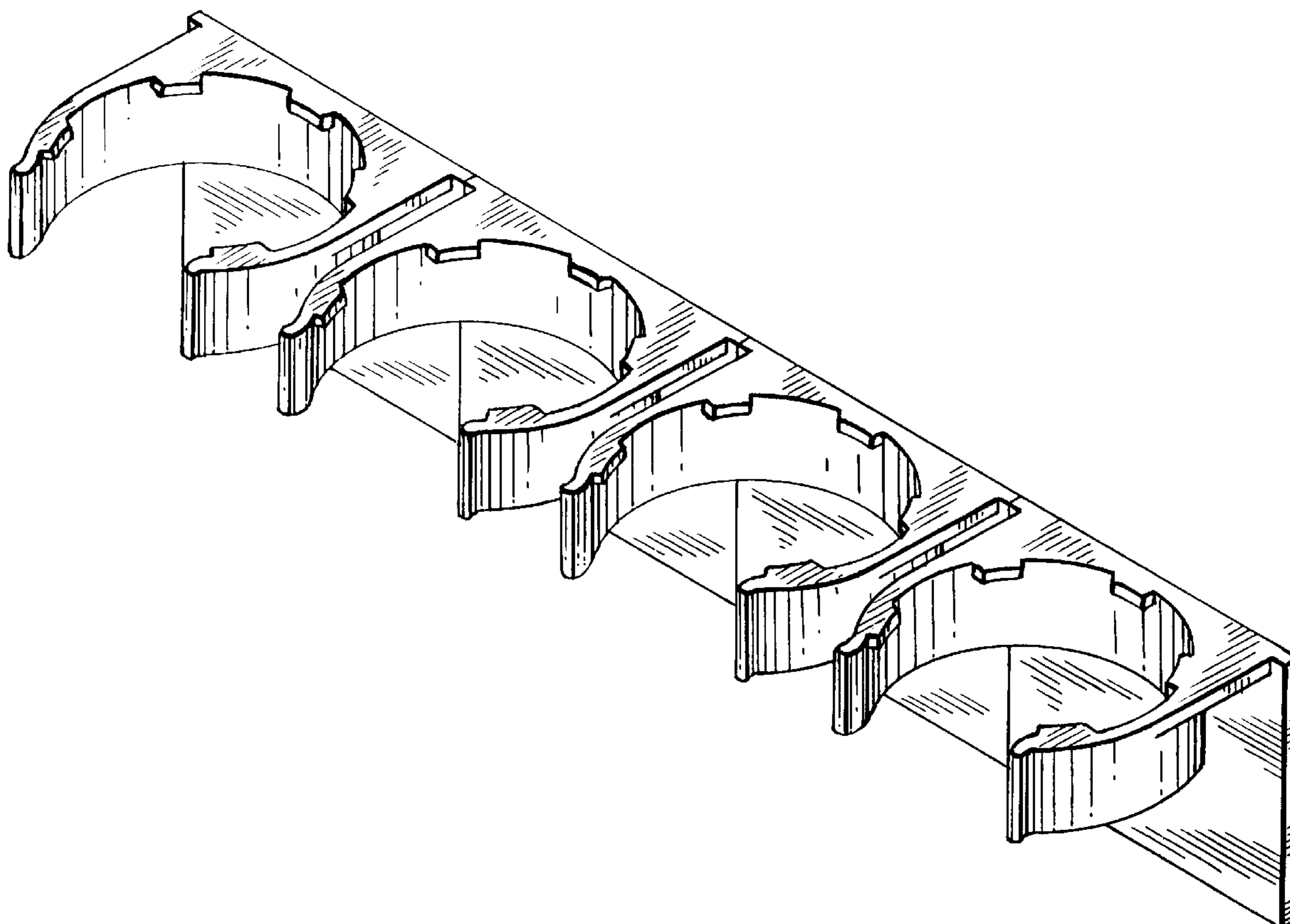
FIG. 1 is a top, front and right side perspective view of the jar rack showing our new design;  
FIG. 2 is a left side view thereof;  
FIG. 3 is a rear view thereof; and,  
FIG. 4 is a bottom plan view thereof.

1 Claim, 2 Drawing Sheets

### [56] References Cited

#### U.S. PATENT DOCUMENTS

D. 156,729	1/1950	Hampe et al. .	
D. 175,455	8/1955	Bartleman .....	D6/567
D. 207,411	4/1967	Diesinger .	
D. 252,429	7/1979	Morin .....	D6/567
D. 262,337	12/1981	Bateman et al. ....	D6/572



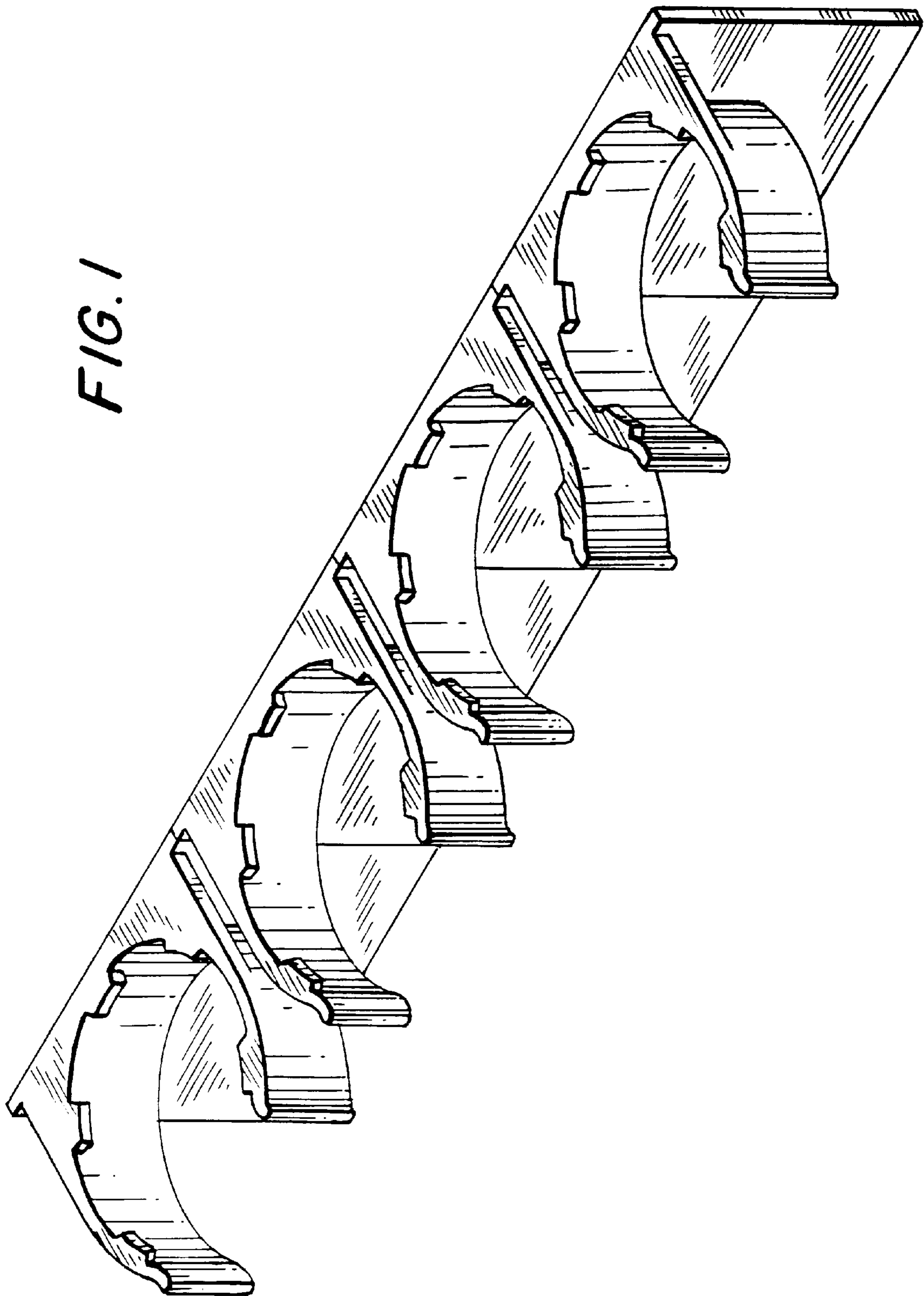


FIG. 1

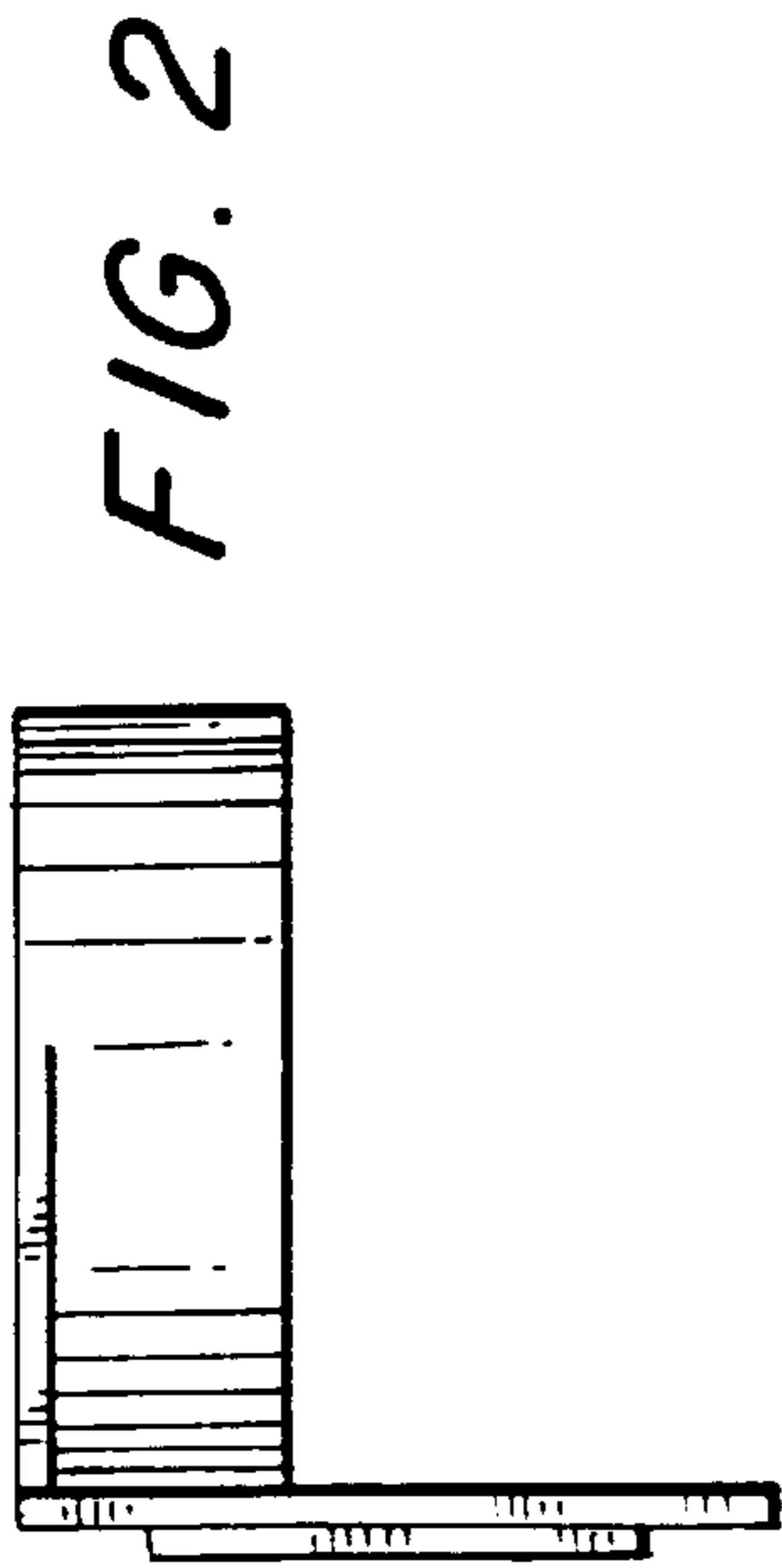


FIG. 3

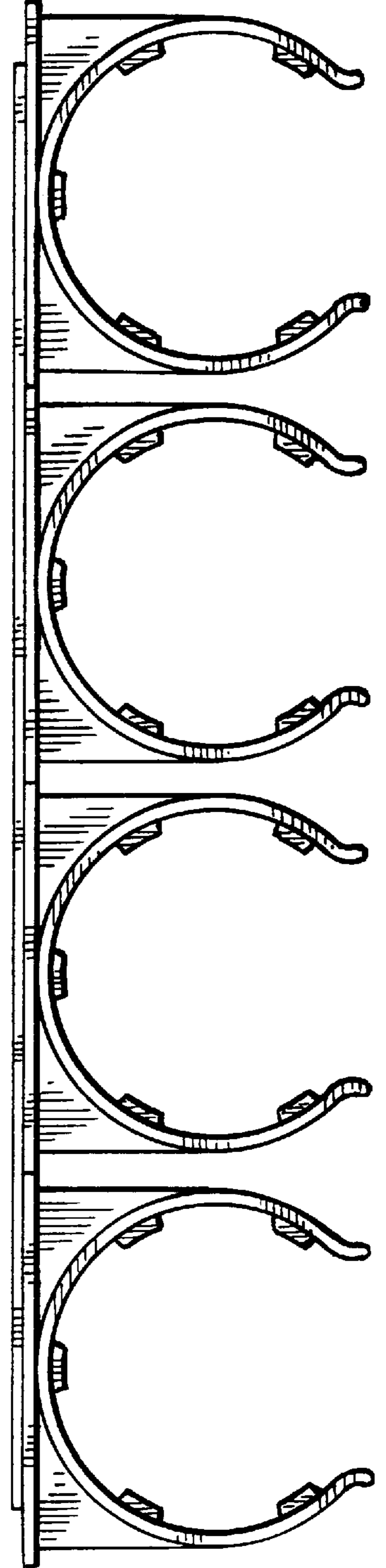
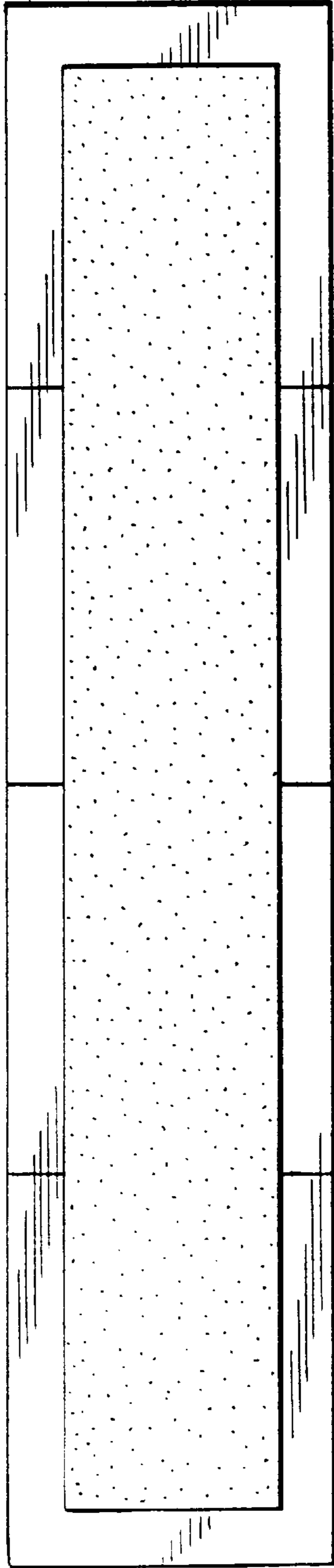


FIG. 4