



US00D413033S

United States Patent [19] Harris

[11] Patent Number: Des. 413,033

[45] Date of Patent: ** Aug. 24, 1999

[54] TOOTHBRUSH HOLDER

[76] Inventor: Dwayne W. Harris, 100 Park Ave.,
Unit 602, Calumet City, Ill. 60409

[**] Term: 14 Years

[21] Appl. No.: 29/090,862

[22] Filed: Jul. 17, 1998

[51] LOC (6) Cl. 06-02

[52] U.S. Cl. D6/528

[58] Field of Search D6/527, 528, 529,
D6/531, 532, 534, 535; 211/13, 86, 87,
88, 134; 248/309.1, 311.2, 360

[56] **References Cited**

U.S. PATENT DOCUMENTS

D. 183,987	11/1958	Jones	D4/3
D. 193,764	10/1962	Gygle	D4/3
D. 207,630	5/1967	Jones	D4/3
D. 270,878	10/1983	Sabatela	D6/94
D. 278,778	5/1985	Brown	D6/534
D. 312,182	11/1990	Ritchie	D6/528
D. 324,792	3/1992	McElroy	D6/534
D. 340,622	10/1993	Park et al.	D7/620
D. 375,858	11/1996	Sharpe	D6/534
1,262,520	4/1918	Keller	.	
1,465,627	8/1923	Fisher et al.	.	
1,507,466	9/1924	Collins	.	
1,975,691	10/1934	Hibbs	248/63
2,121,488	6/1938	Nofz	206/15.1

2,592,131	4/1952	Farrar	250/51
3,881,868	5/1975	Duke	21/183
4,817,826	4/1989	Judge	222/192
4,927,011	5/1990	Wilkinson	206/217
5,522,497	6/1996	Stacy	206/209.1
5,769,245	6/1998	Butler	D6/534

Primary Examiner—Marcus A. Jackson
Attorney, Agent, or Firm—Lee, Mann, Smith, McWilliams,
Sweeney & Ohlson

[57] **CLAIM**

The ornamental design for a toothbrush holder, as shown and described.

DESCRIPTION

FIG. 1 is a front quarter perspective view of my toothbrush holder;
FIG. 2 is a front elevational view of my toothbrush holder;
FIG. 3 is a left side elevational view of my toothbrush holder;
FIG. 4 is a rear elevational view of my toothbrush holder;
FIG. 5 is a top plan view of my toothbrush holder;
FIG. 6 is a bottom plan view of the top portion of my toothbrush holder in an alternative embodiment with the central column omitted;
FIG. 7 is a rear quarter perspective view of the top portion of my toothbrush holder in an alternative embodiment with the central column omitted; and,
FIG. 8 is a front quarter perspective of an alternative embodiment of my toothbrush holder.

1 Claim, 4 Drawing Sheets

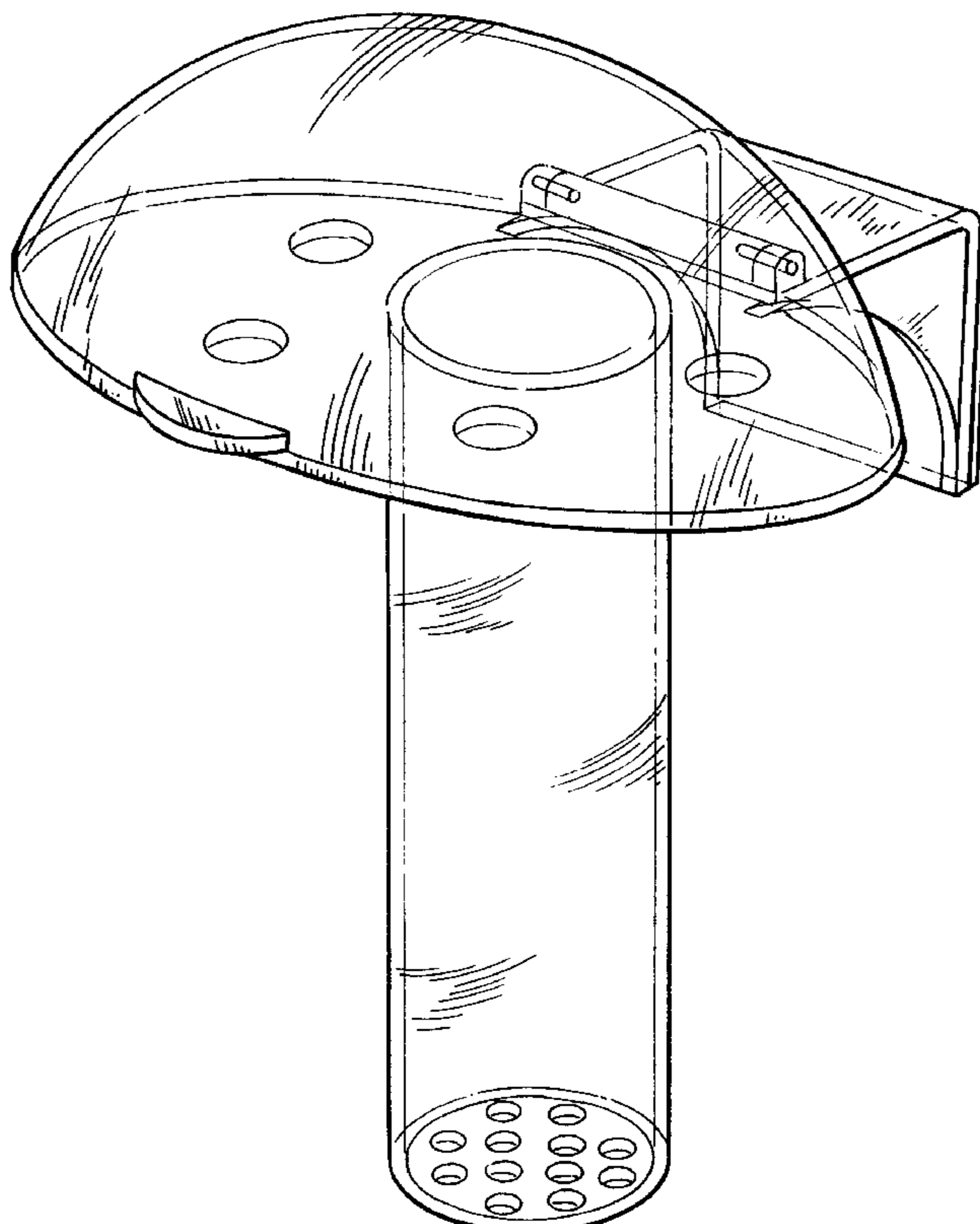


FIG. 2

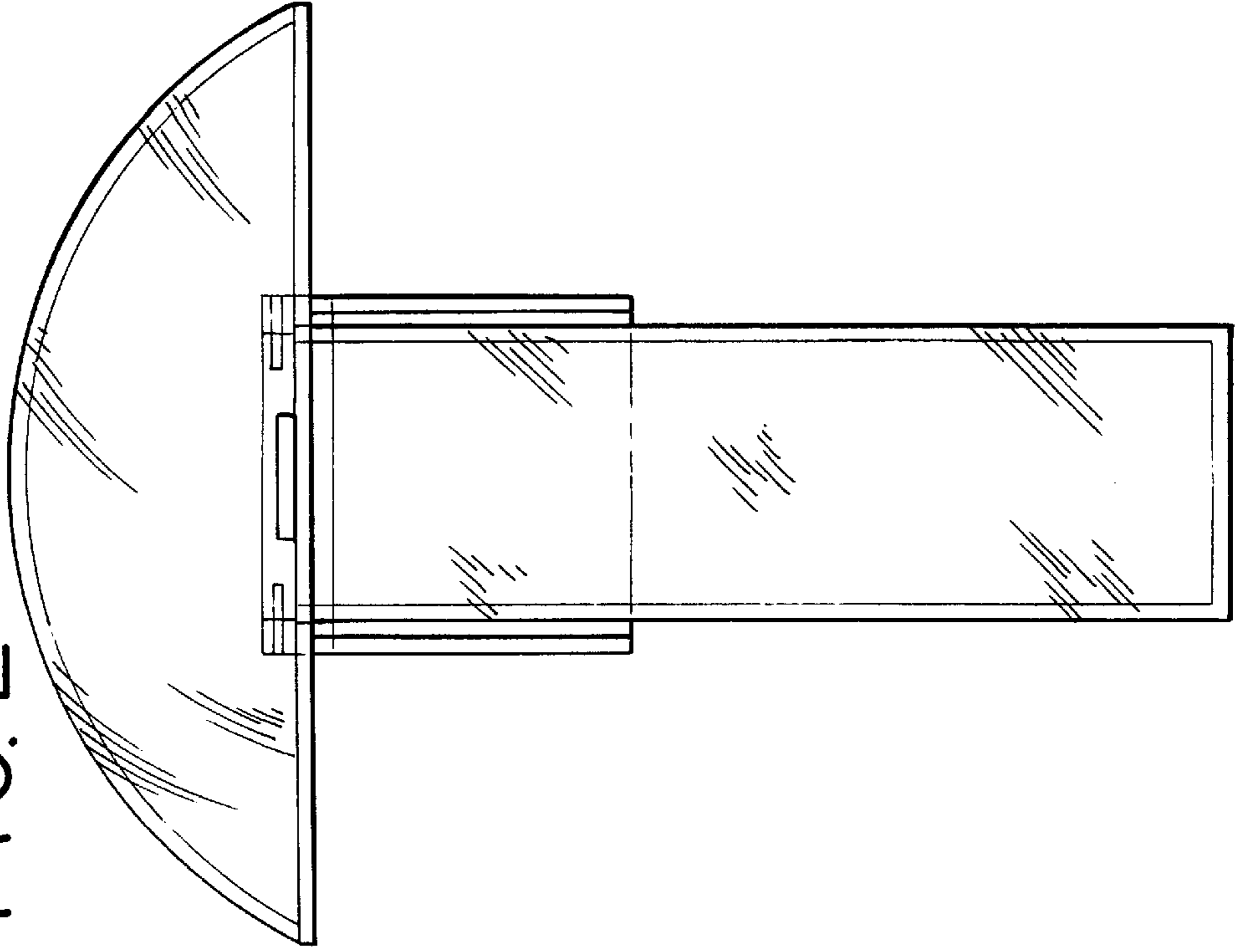


FIG. 1

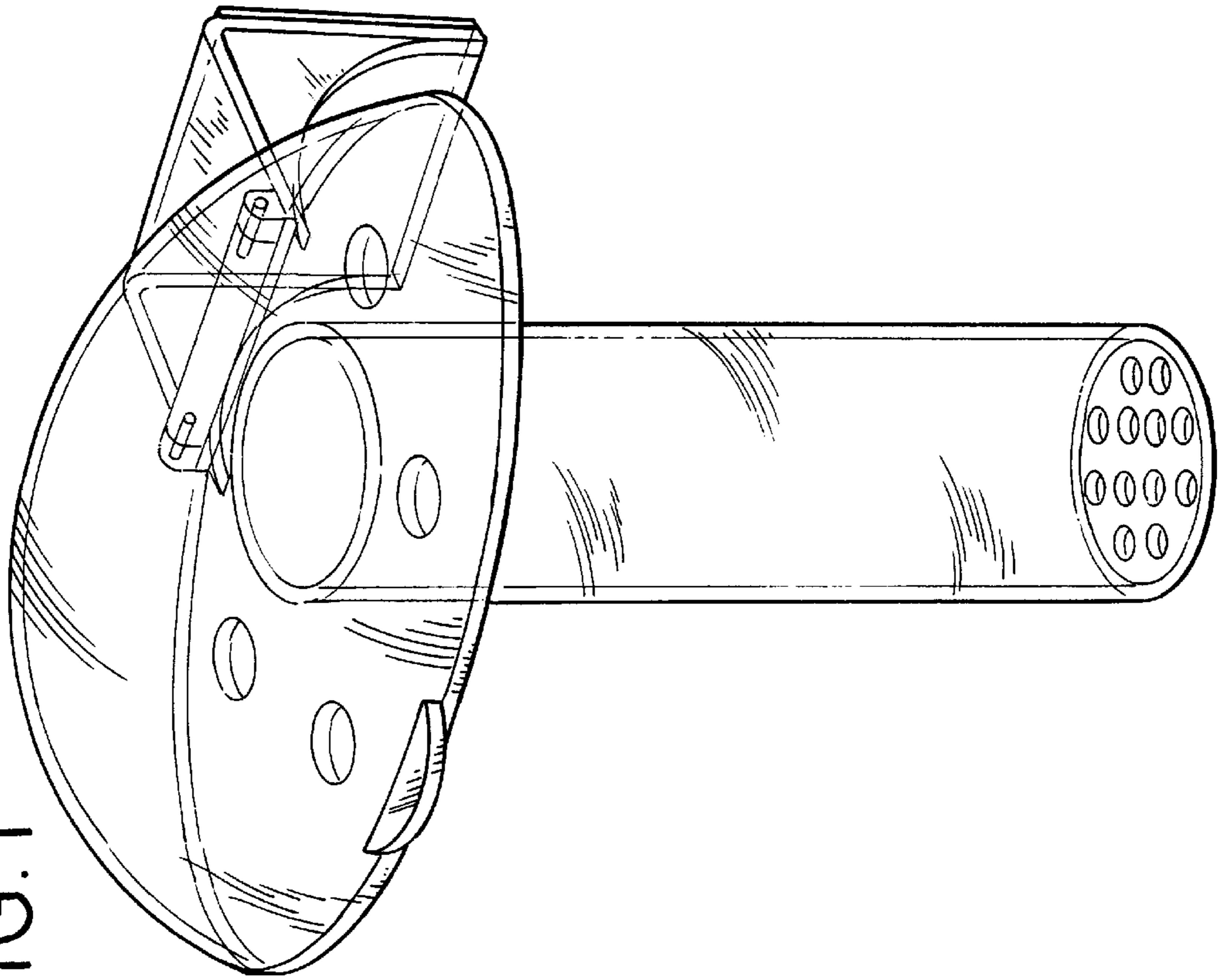


FIG. 4

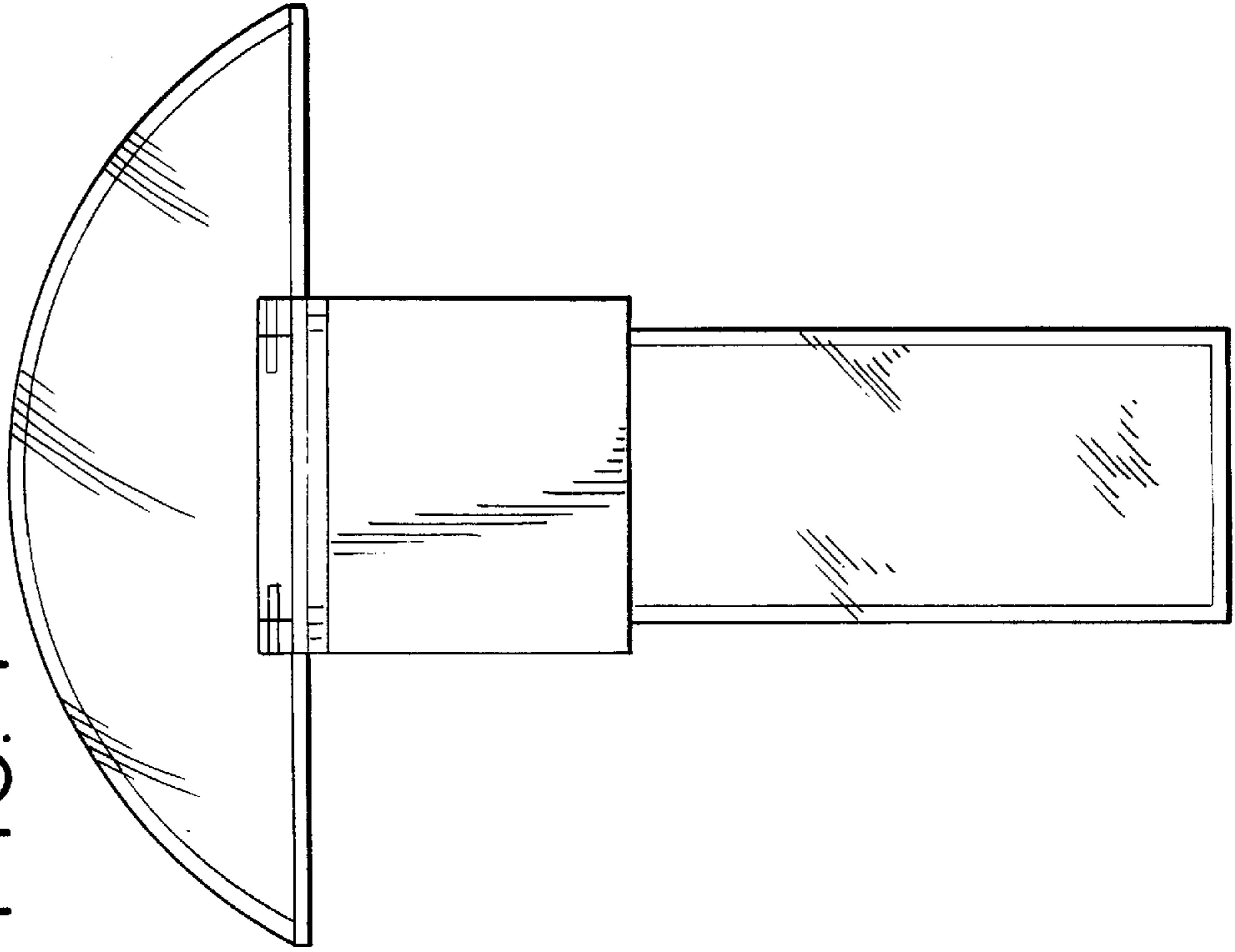


FIG. 3

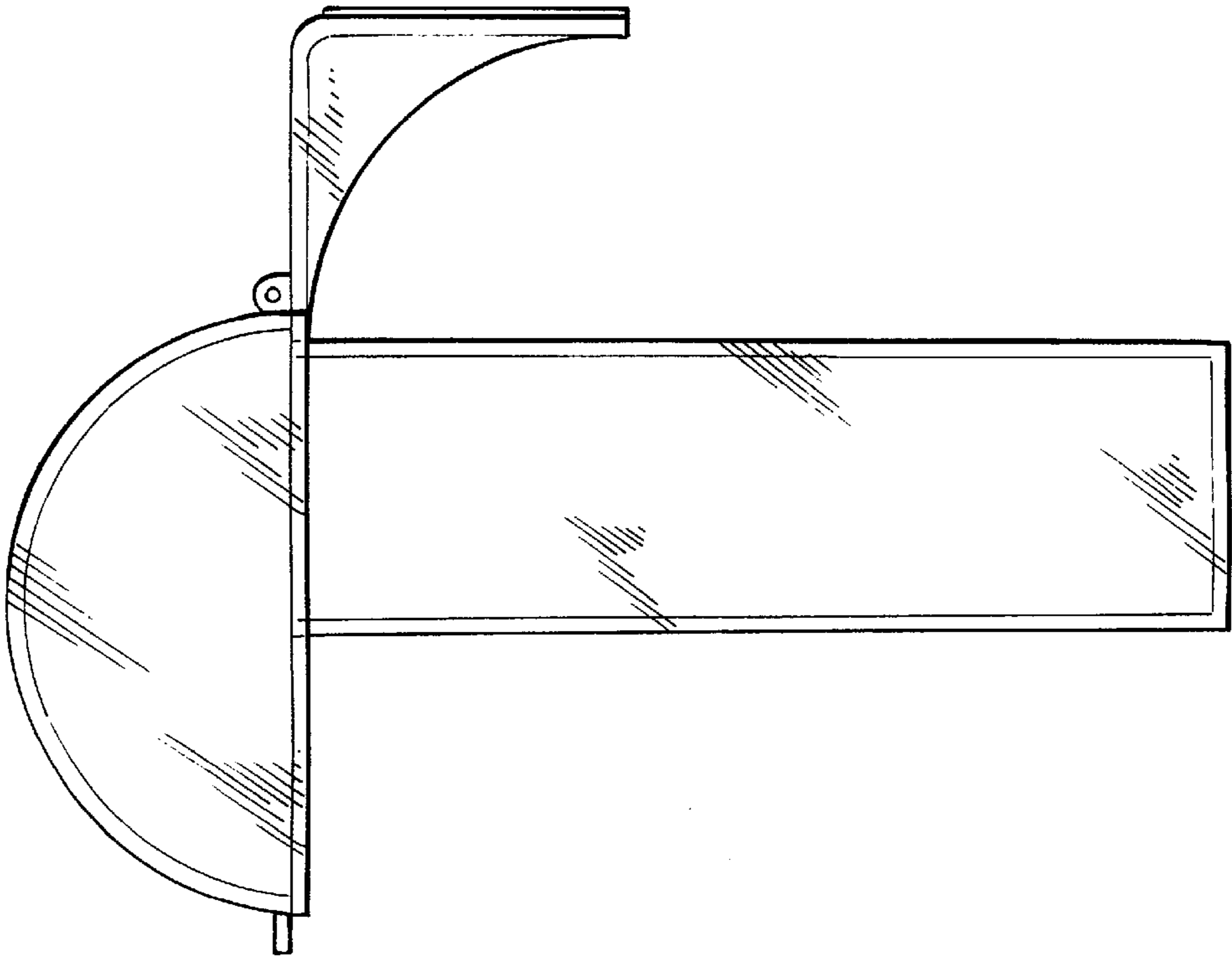


FIG. 5

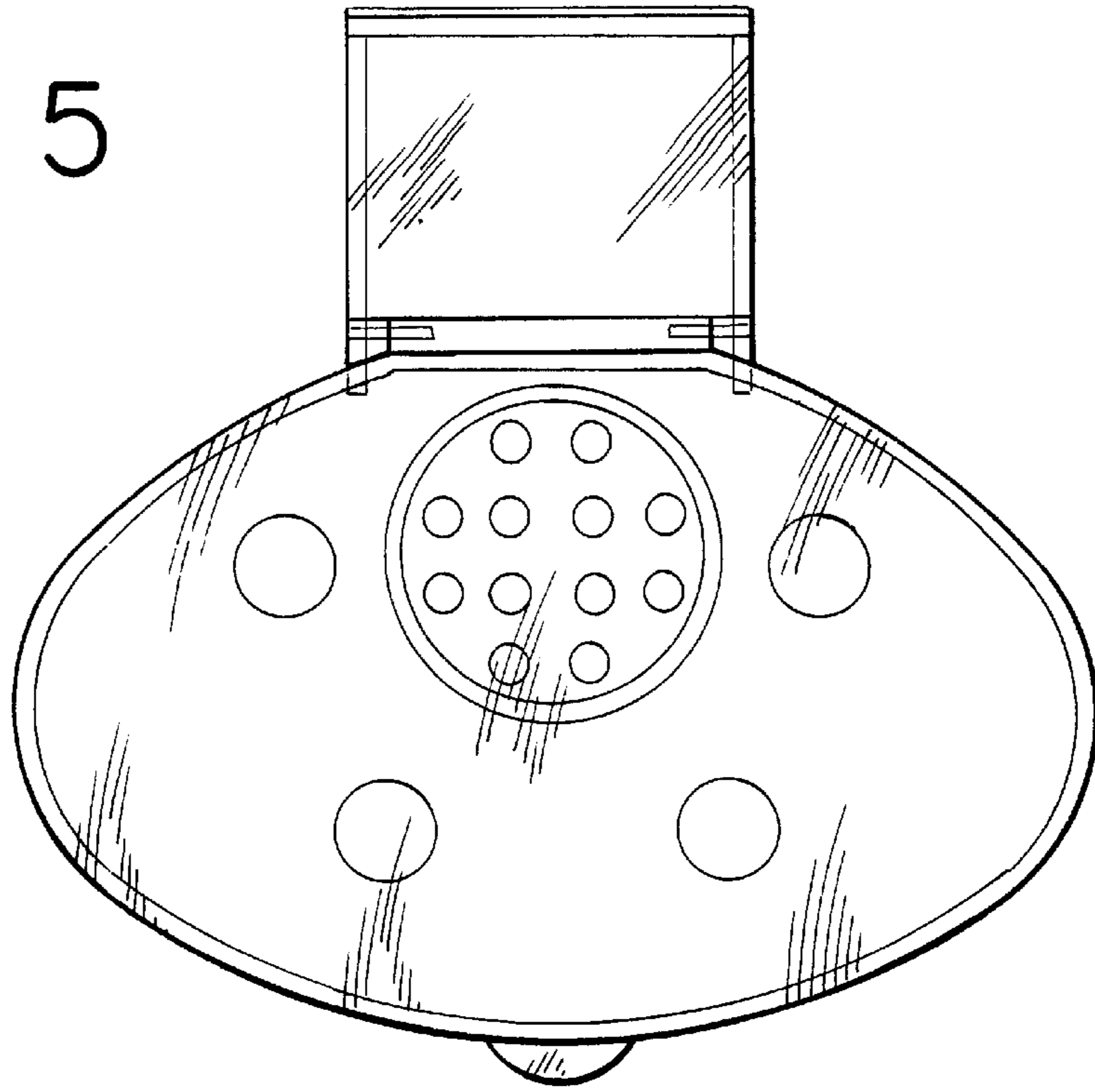


FIG. 6

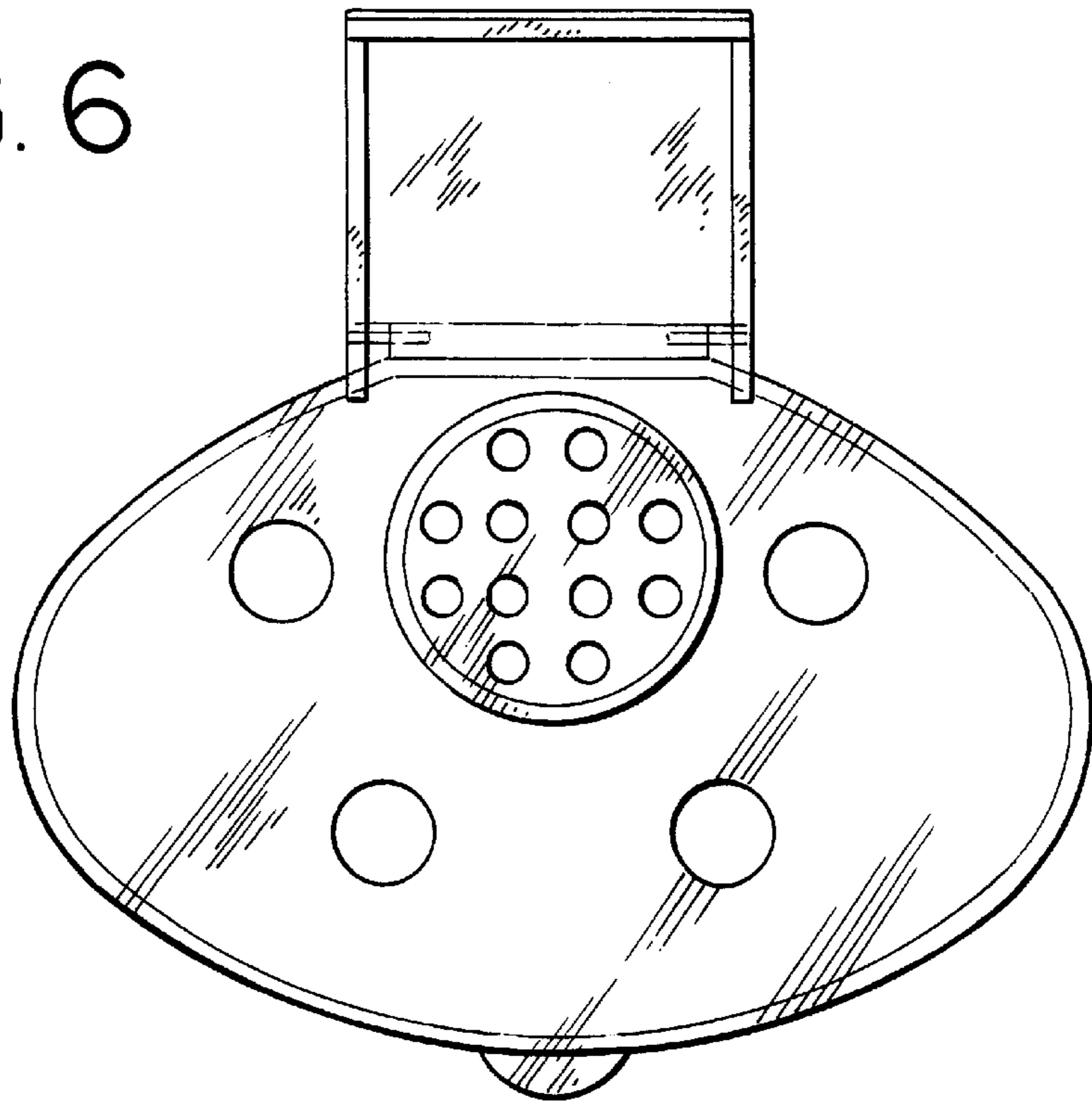


FIG. 7

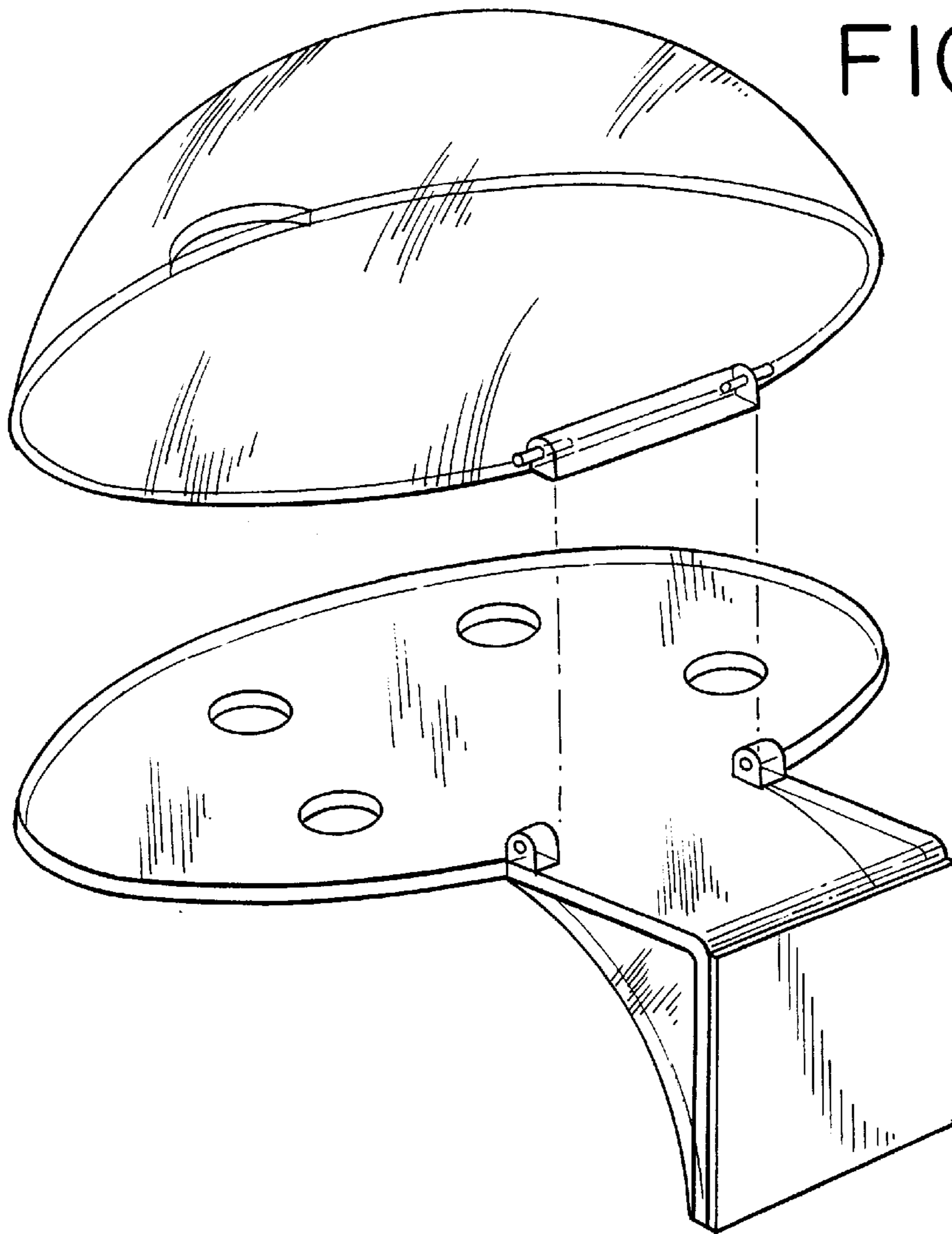


FIG. 8

