



US00D413032S

United States Patent [19]

Avery

[11] Patent Number: Des. 413,032

[45] Date of Patent: ** Aug. 24, 1999

[54] TRAY FOR A MERCHANDISE DISPLAY SYSTEM

[75] Inventor: Frederick M. Avery, Phoenix, Ariz.

[73] Assignee: Gillette Canada Inc., Kirkland, Canada

[**] Term: 14 Years

[21] Appl. No.: 29/086,895

[22] Filed: Apr. 22, 1998

[51] LOC (6) Cl. 06-04

[52] U.S. Cl. D6/511

[58] Field of Search D6/509-511, 475-476, D6/408; D19/76, 75, 92; 211/126.1, 126.16, 194, 70.1, 59.4, 59.2, 59.3, 85.26, 184; 108/27, 61; 312/61, 71, 42, 183, 45

[56] **References Cited**

U.S. PATENT DOCUMENTS

D. 266,297	9/1982	Zaro	D6/408
D. 327,190	6/1992	Wear et al.	D6/511
D. 390,052	2/1998	Wolff	D6/510
D. 392,124	3/1998	Poterbin	D6/475
3,308,961	3/1967	Chesley	211/49
4,303,162	12/1981	Suttles	211/49
4,395,955	8/1983	Pfeifer	108/61
4,502,741	3/1985	DeVries et al.	312/108
4,705,175	11/1987	Howard et al.	211/59
4,742,936	5/1988	Rein	221/5
4,762,236	8/1988	Jackles, III et al.	211/59
4,898,282	2/1990	Hawkinson et al.	211/49

4,907,707	3/1990	Crum	211/59
5,069,349	12/1991	Wear et al.	211/59.3
5,088,607	2/1992	Risafi et al.	211/59.3
5,111,942	5/1992	Bernardin	211/59.3
5,203,463	4/1993	Gold	211/59.3
5,240,126	8/1993	Foster et al.	211/59.3
5,255,802	10/1993	Krinke et al.	211/184
5,366,099	11/1994	Schmid	211/59.3
5,450,968	9/1995	Bustos	211/59.2
5,542,552	8/1996	Yablans et al.	211/59.3
5,562,217	10/1996	Salveson et al.	211/59.3
5,634,564	6/1997	Spamer et al.	211/59.3
5,746,328	5/1998	Beeler et al.	211/59.3

Primary Examiner—James Gandy
Assistant Examiner—Linda Brooks
Attorney, Agent, or Firm—David A. Howley

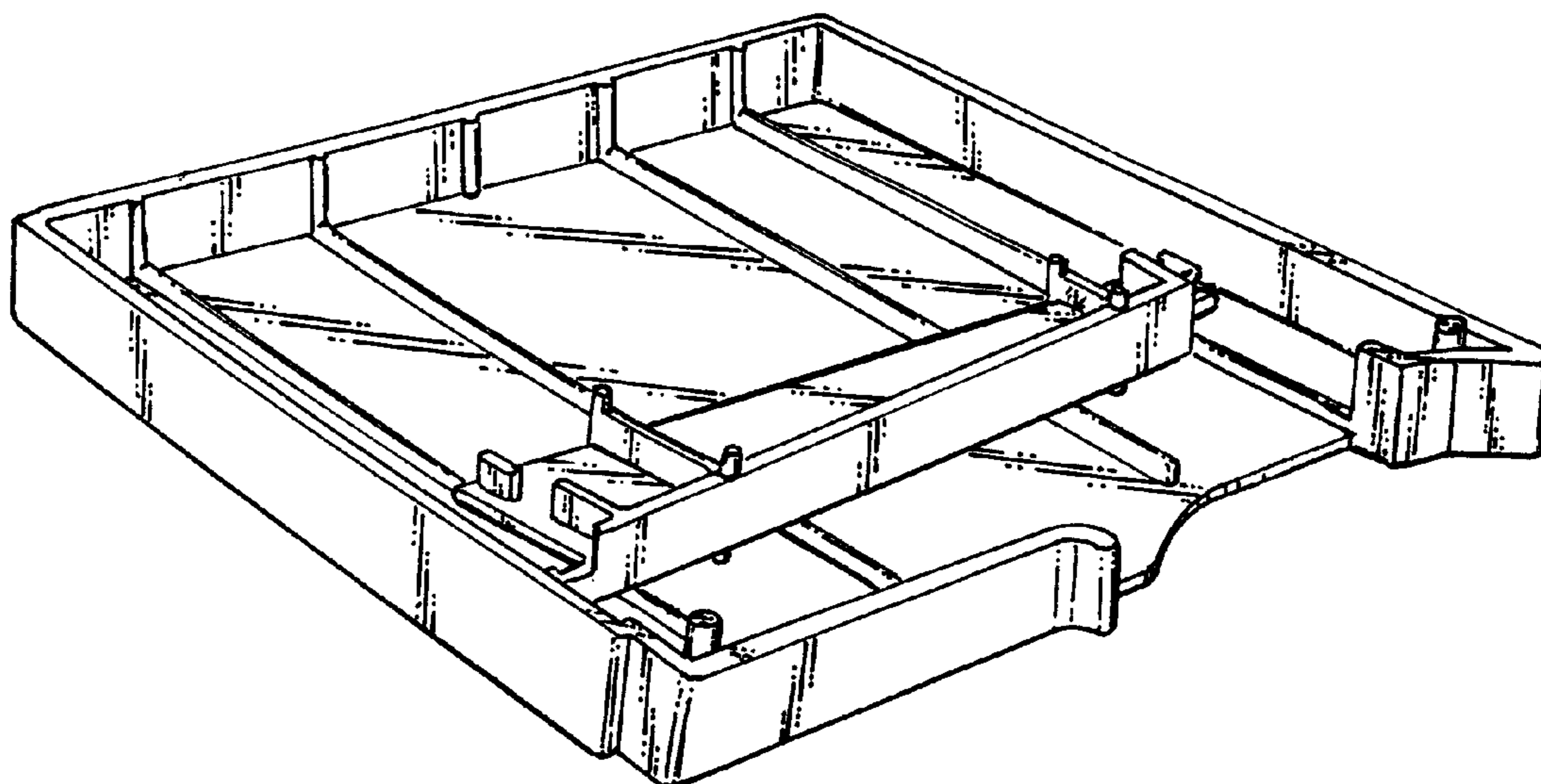
[57] **CLAIM**

The ornamental design for a tray for a merchandise display system, as shown and described.

DESCRIPTION

FIG. 1 is a perspective view as seen from the top, front and left side of a tray for a merchandise display system showing my new design;
FIG. 2 is an enlarged top plan view thereof;
FIG. 3 is a front elevational view of FIG. 2;
FIG. 4 is a right side elevational view of FIG. 2;
FIG. 5 is a left side elevational view of FIG. 2;
FIG. 6 is a rear elevational view of FIG. 2; and,
FIG. 7 is a bottom plan view of FIG. 2.

1 Claim, 2 Drawing Sheets



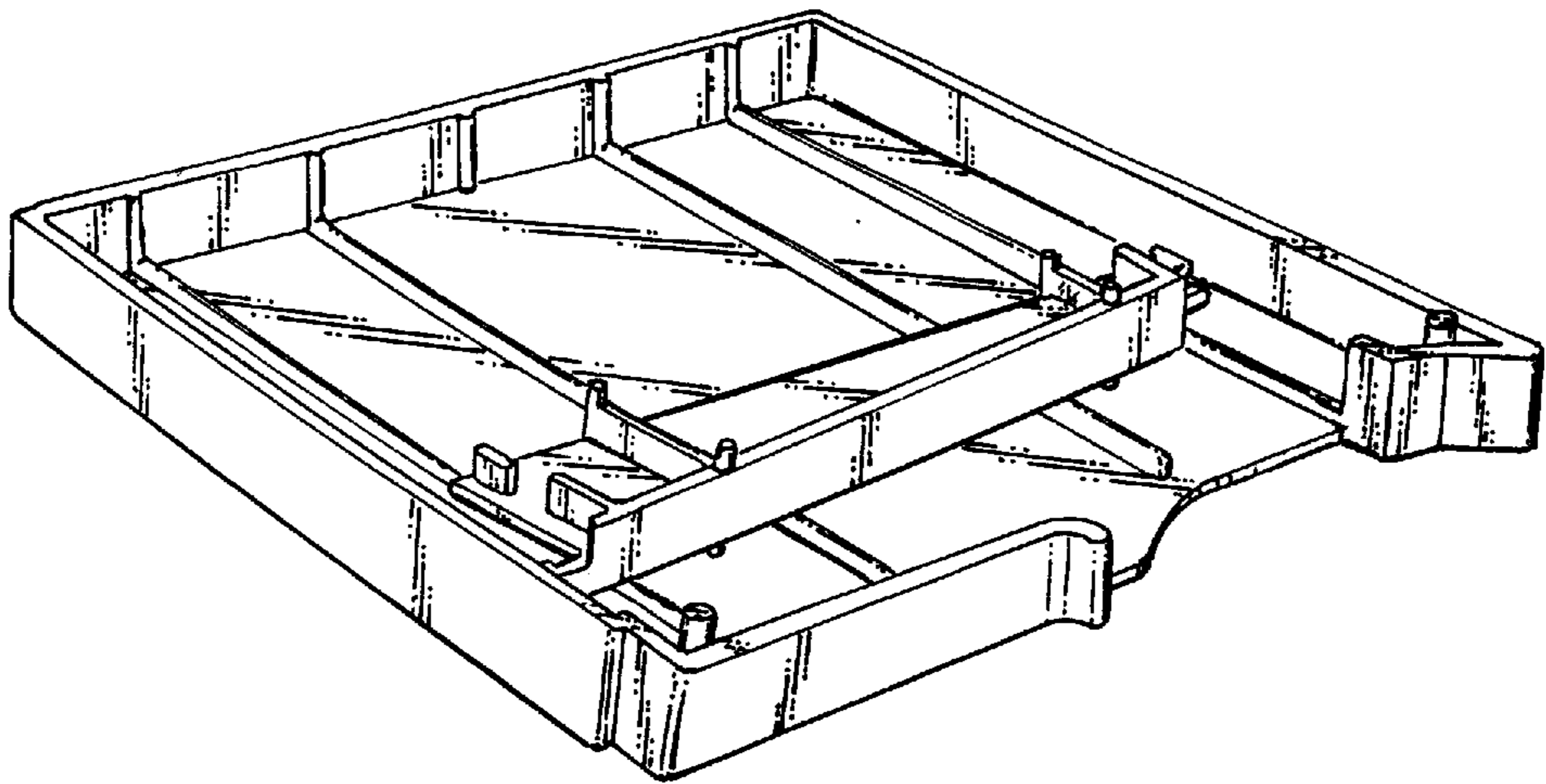


FIG. 1.

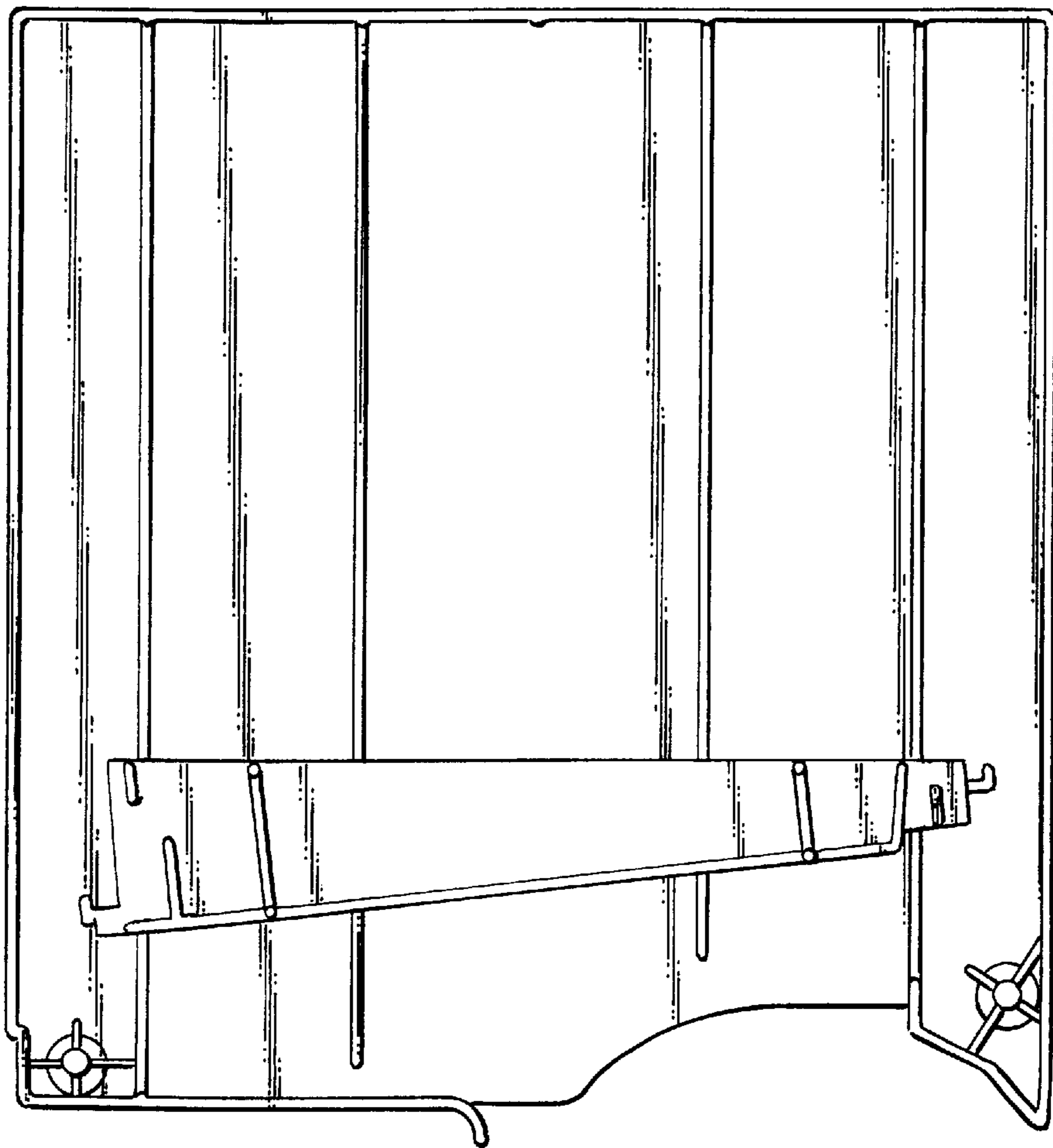


FIG. 2.

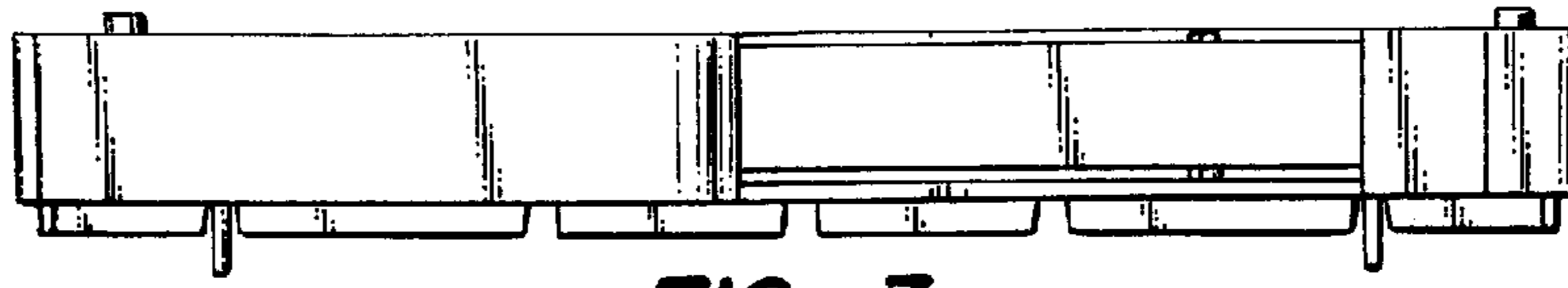


FIG. 3.

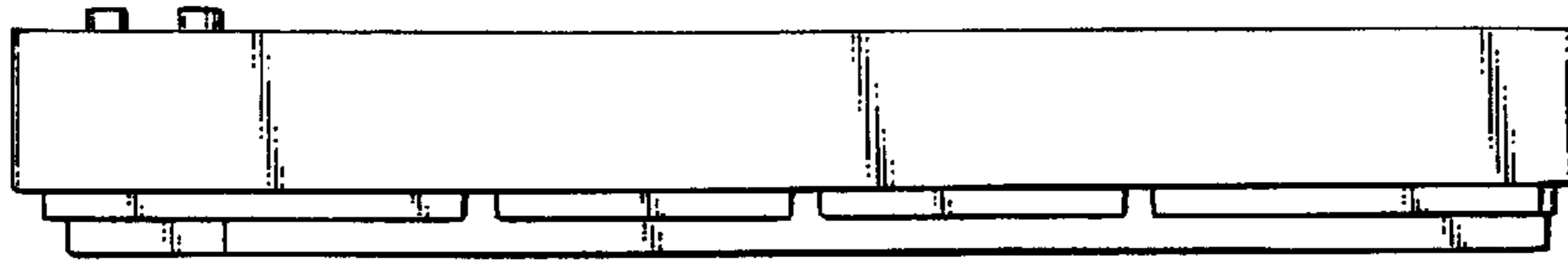


FIG. 4.

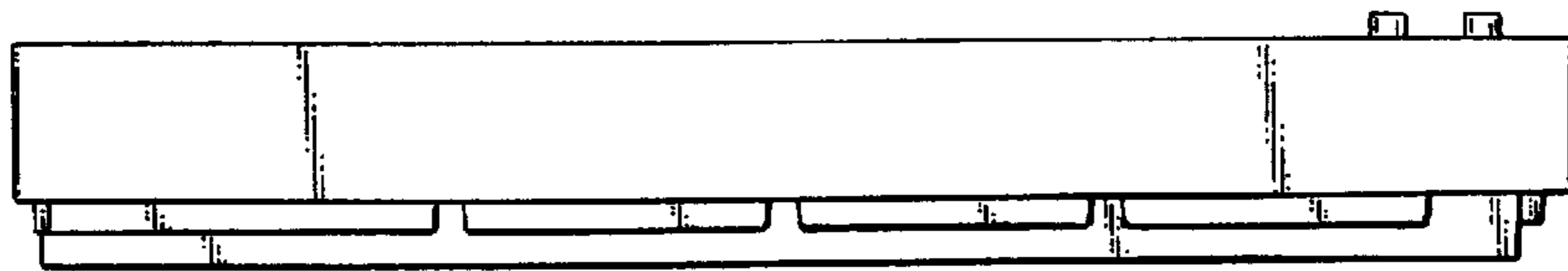


FIG. 5.

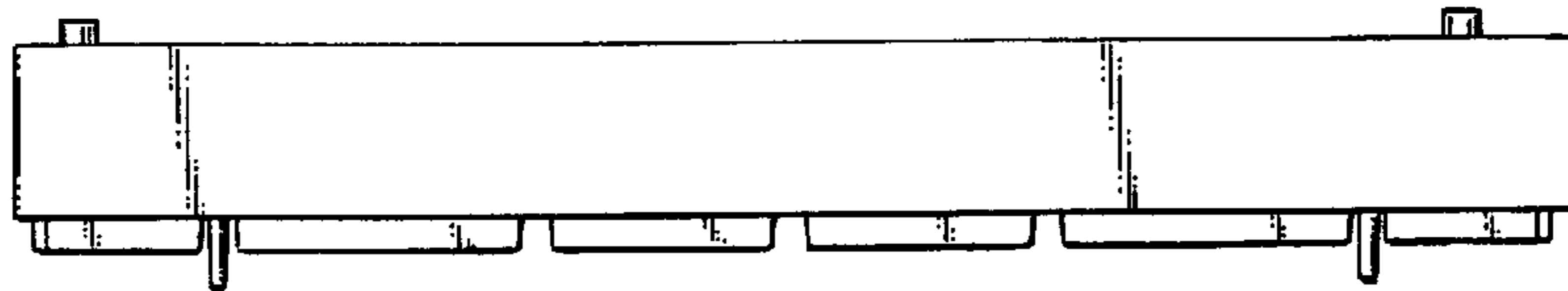


FIG. 6.

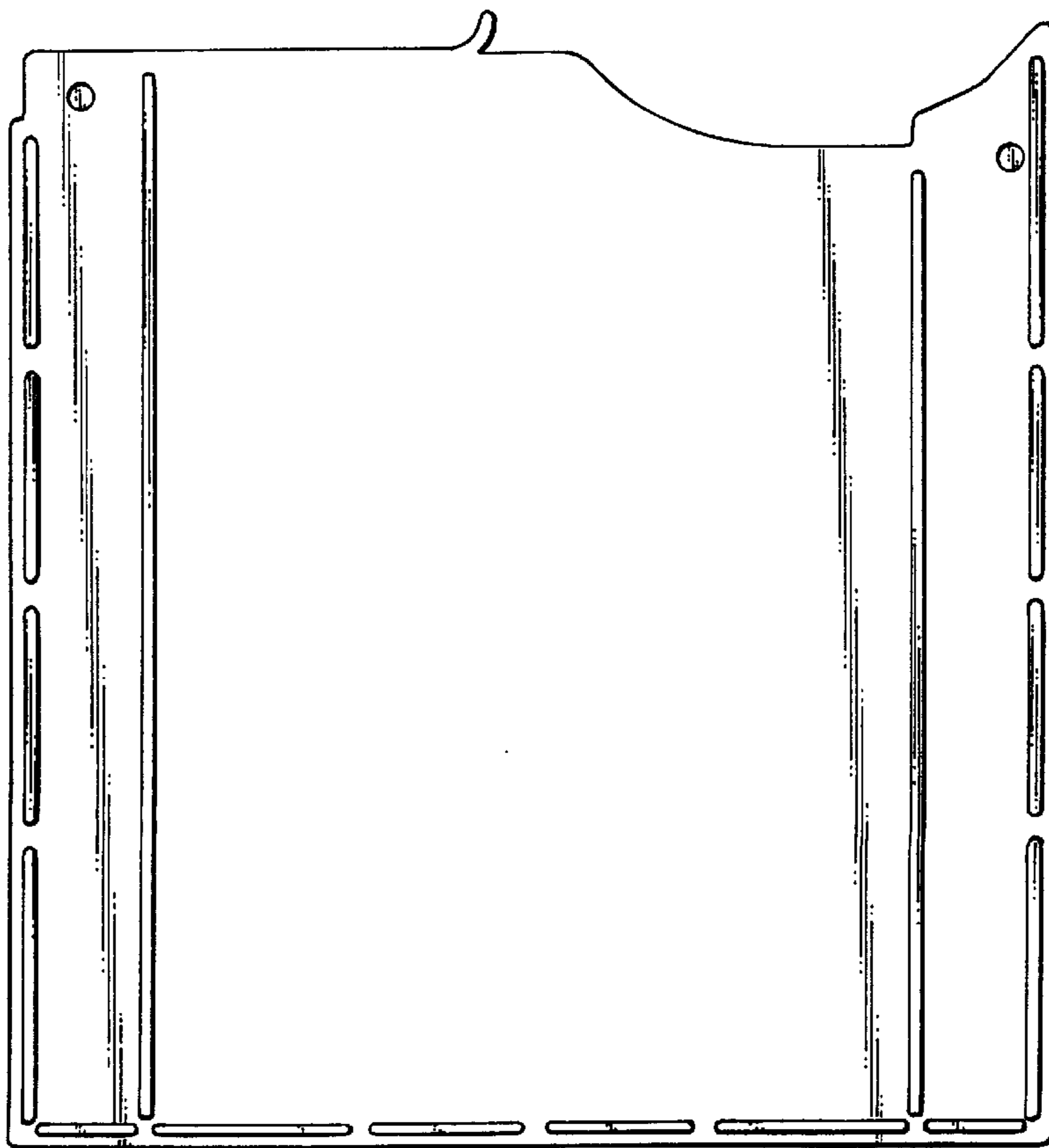


FIG. 7.