



US00D413031S

United States Patent [19]

Strassner et al.

[11] Patent Number: **Des. 413,031**

[45] Date of Patent: **** Aug. 24, 1999**

[54] **HEAD REST**

[76] Inventors: **Martin F. Strassner**, 9332 Brightwood Ct., Northridge, Calif. 91324; **Mark S. Bochman**, 15977 Crown Valley Rd., Poway, Calif. 92064

[**] Term: **14 Years**

[21] Appl. No.: **29/078,270**

[22] Filed: **Oct. 22, 1997**

[51] **LOC (6) Cl.** **06-01**

[52] **U.S. Cl.** **D6/501**

[58] **Field of Search** D6/356, 368, 501-502, D6/596, 601; 248/345.1; 297/330, 338, 344.12, 344.16, 344.17, 344.18, 344.19, 411.23, 452.48, 391, 397

[56] **References Cited**

U.S. PATENT DOCUMENTS

- D. 188,186 6/1960 Ramm D6/502
- D. 198,211 5/1964 Apel D6/502

- D. 225,193 11/1972 Barecky D6/356
- D. 358,957 6/1995 Propp D6/501
- D. 376,288 12/1996 Antonian D6/601
- 4,773,707 9/1988 Vadala 297/391
- 5,205,611 4/1993 Stephens 297/391

Primary Examiner—Doris V. Coles
Assistant Examiner—Mimosa De
Attorney, Agent, or Firm—Loeb & Loeb LLP

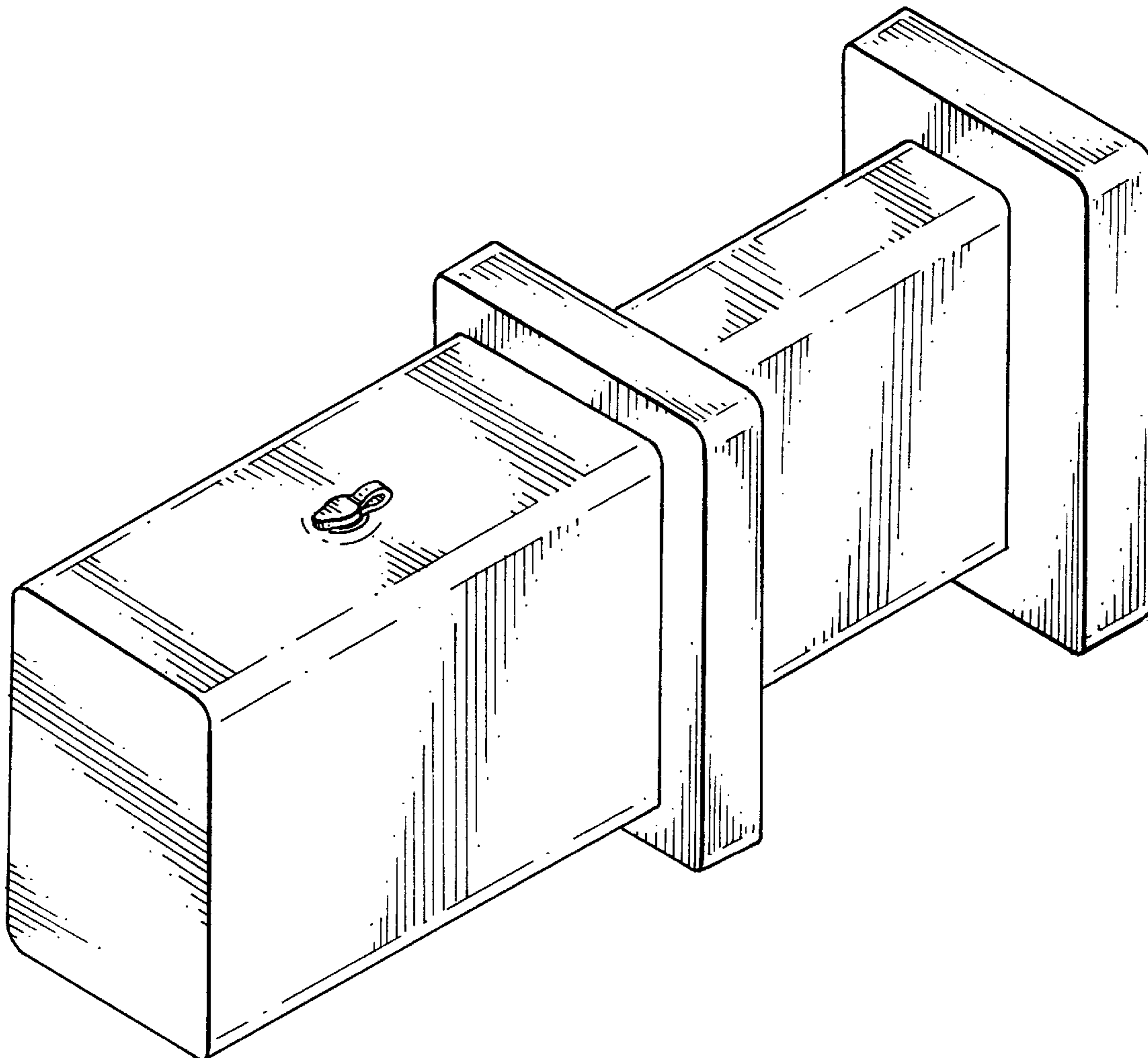
[57] **CLAIM**

The ornamental design for a head rest, as shown and described.

DESCRIPTION

FIG. 1 is a side perspective view of the head rest of our claimed design;
FIG. 2 is a left side elevational view thereof, the right side elevational view being a mirror image thereof;
FIG. 3 is a top plan view thereof;
FIG. 4 is a bottom plan view thereof;
FIG. 5 rear elevational view thereof; and,
FIG. 6 is a front elevational view thereof.

1 Claim, 3 Drawing Sheets



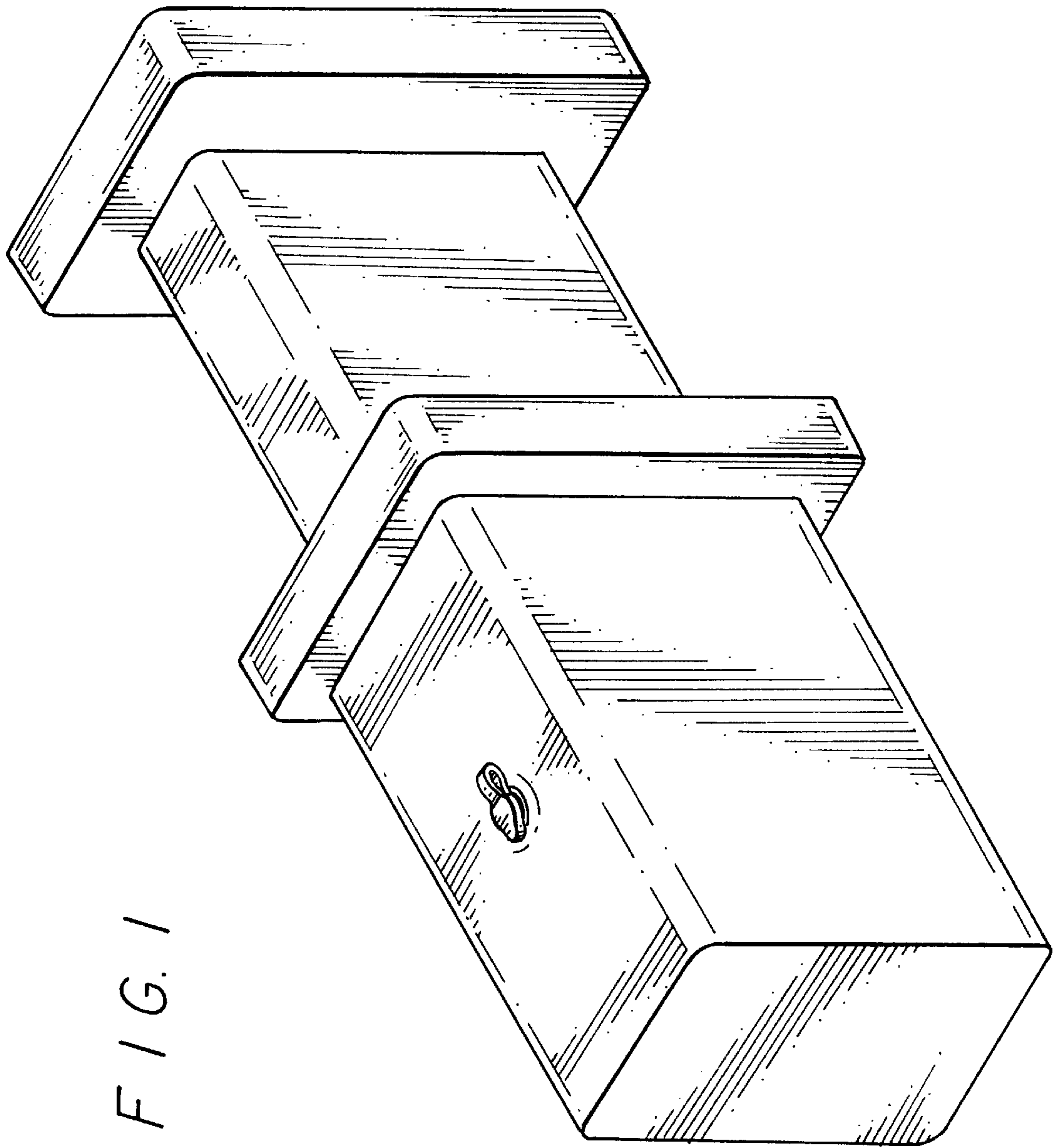


FIG. 1

FIG. 2

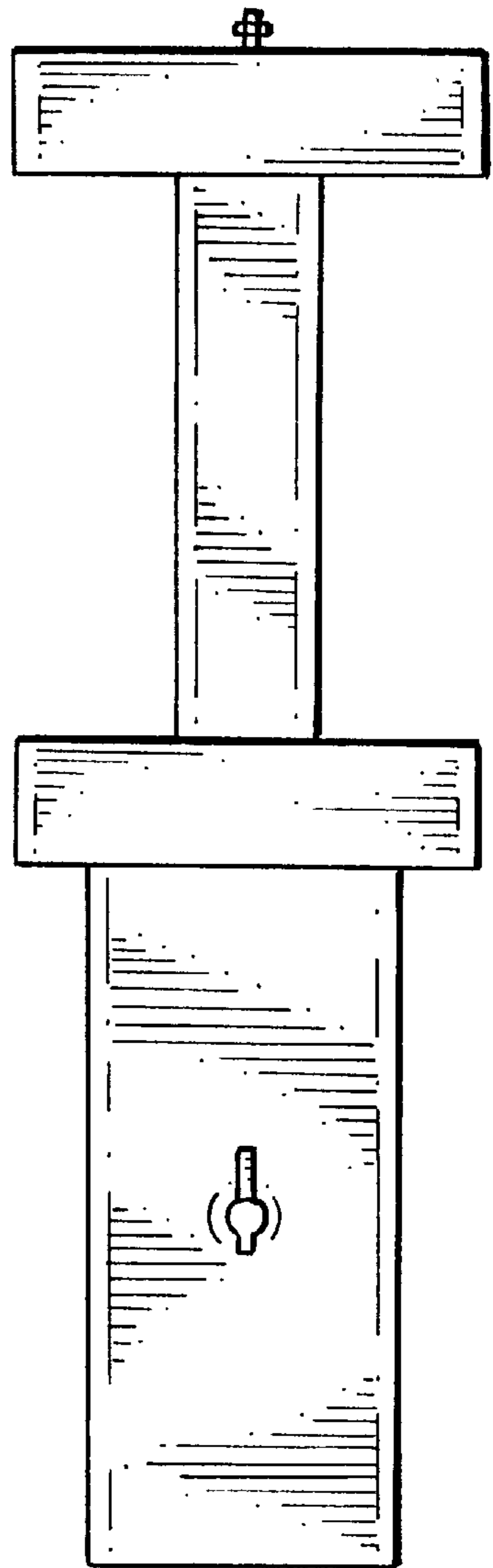
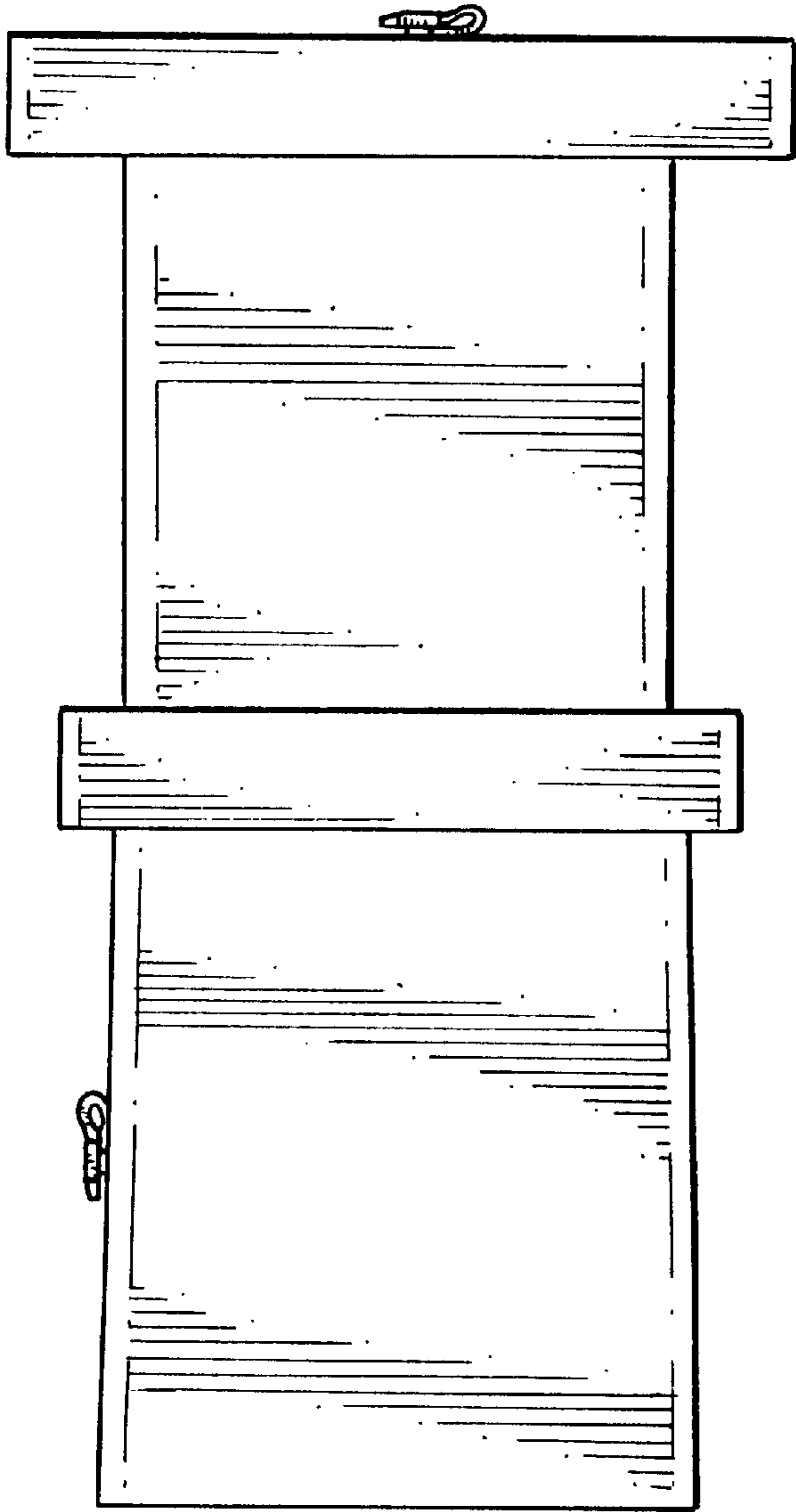


FIG. 3

FIG. 4

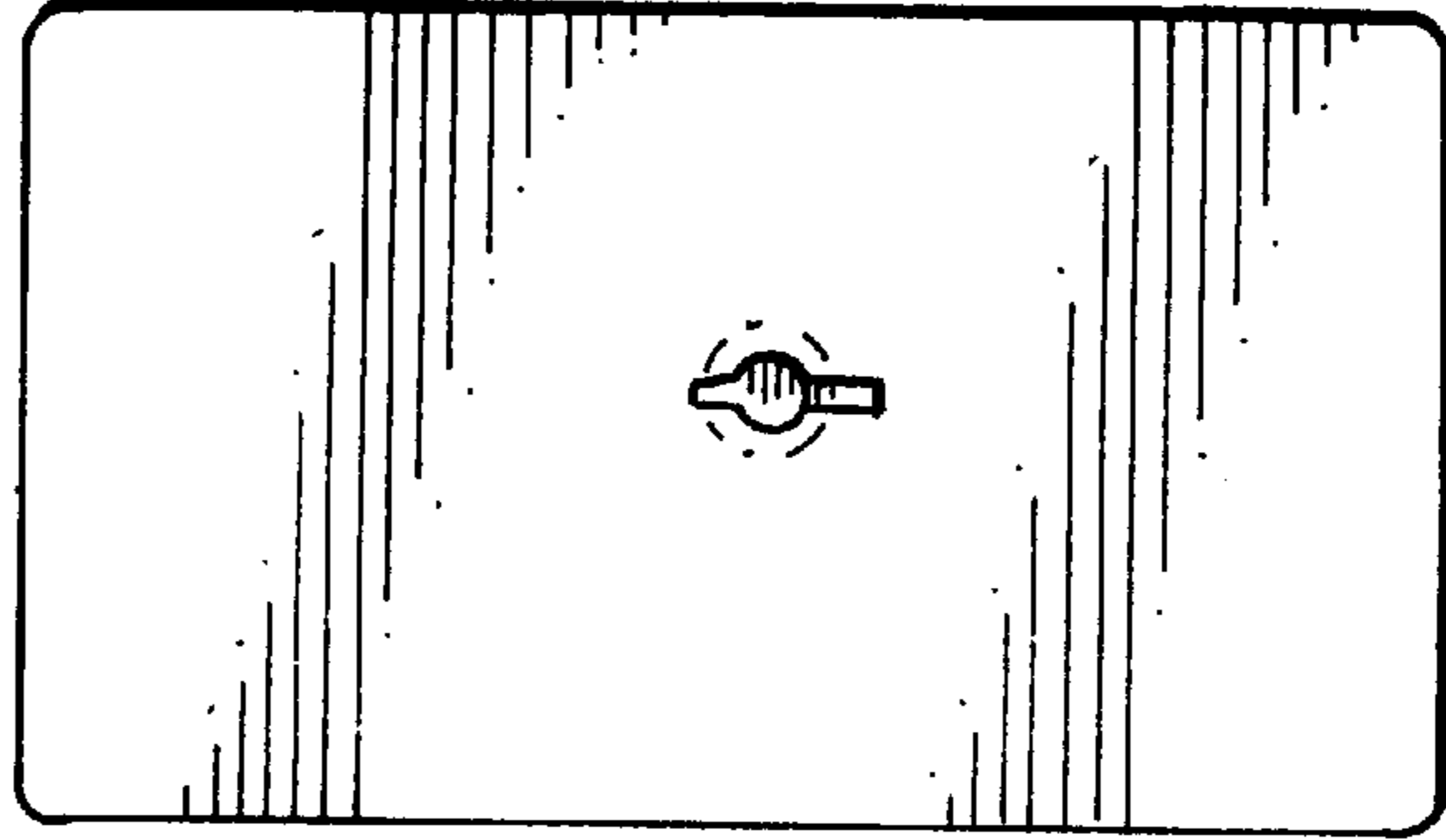
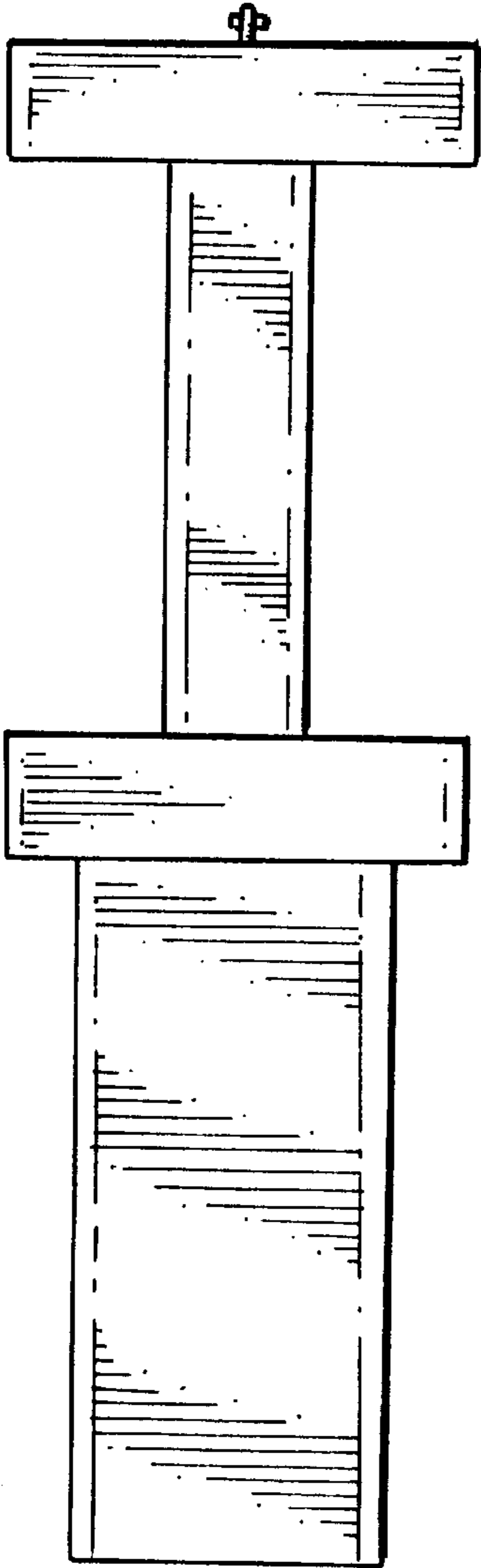


FIG. 5

FIG. 6

