



US00D413028S

United States Patent [19]
Kaiser

[11] **Patent Number: Des. 413,028**

[45] **Date of Patent: ** Aug. 24, 1999**

[54] **CHAIR**

[76] Inventor: **Kenneth L. Kaiser**, 311 S. Denton St.,
Gainesville, Tex. 76240

[**] Term: **14 Years**

[21] Appl. No.: **29/097,209**

[22] Filed: **Dec. 1, 1998**

[51] **LOC (6) Cl.** **06-01**

[52] **U.S. Cl.** **D6/373; D6/379**

[58] **Field of Search** D6/334, 335, 370,
D6/371, 372, 373, 374, 379, 500, 501,
502; 297/448.1, 448.2

[56] **References Cited**

U.S. PATENT DOCUMENTS

D. 236,049	7/1975	Tacke	D6/373
D. 236,394	8/1975	Hoskall et al.	D6/373
D. 237,332	10/1975	Laylon	D6/373
D. 391,778	3/1998	Cretcher	D6/379
D. 406,950	3/1999	Saul	D6/379

OTHER PUBLICATIONS

Brown Jordan, p. 36, Chair # 1310-1800 shown, @1986.

Primary Examiner—Gary D. Watson

Attorney, Agent, or Firm—Daniel V. Thompson

[57] **CLAIM**

The ornamental design for a "chair", as shown and described.

DESCRIPTION

FIG. 1 is a perspective view of my new design for a chair;
FIG. 2 is a front elevational view of my new design for a
chair;

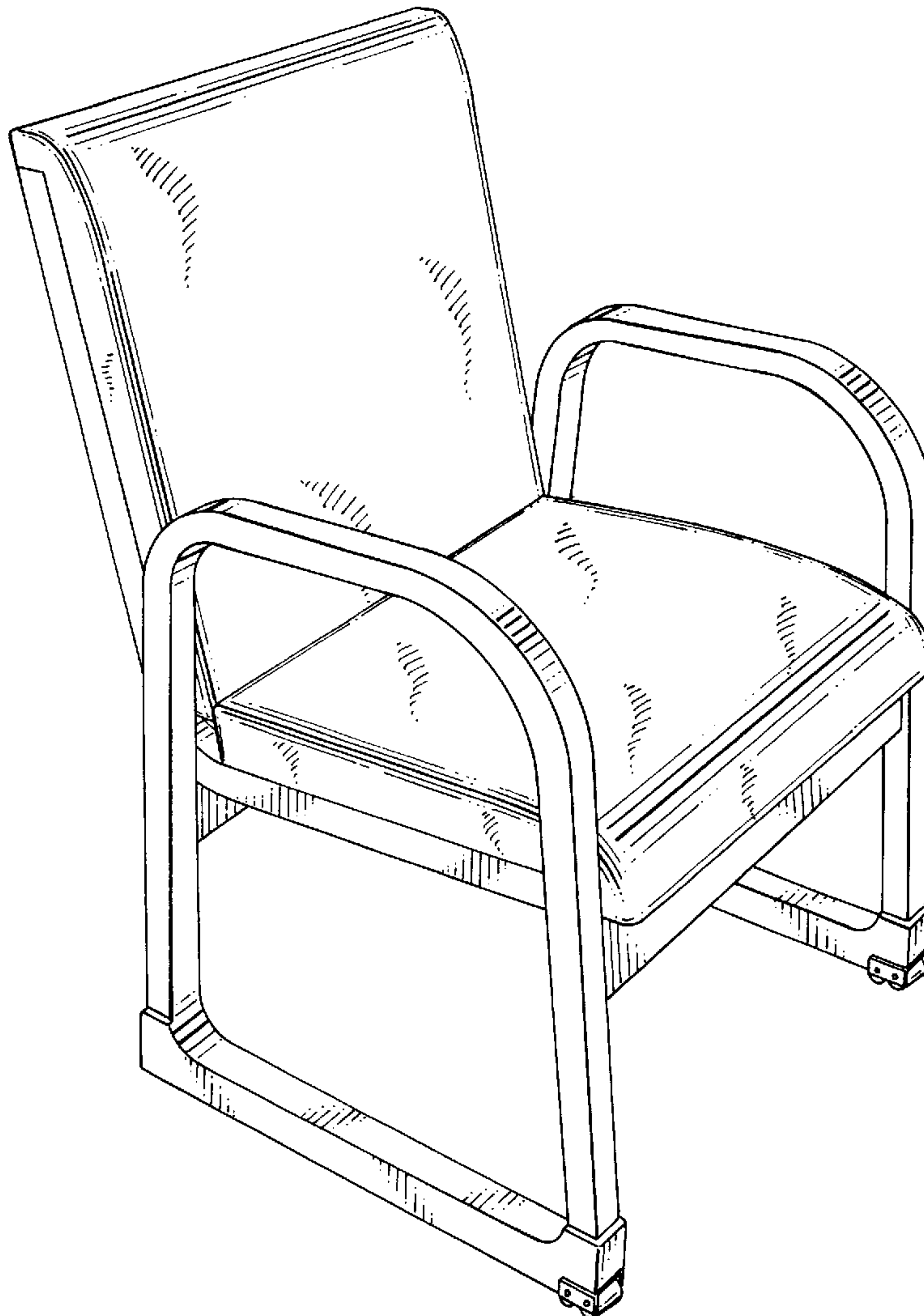
FIG. 3 is a side elevational view of my new design for a
chair;

FIG. 4 is a rear elevational view of my new design for a
chair;

FIG. 5 is a side elevational view of my new design for a
chair;

FIG. 6 is a top plan view of my new design for a chair; and,
FIG. 7 is a bottom plan view of my new design for a chair.

1 Claim, 4 Drawing Sheets



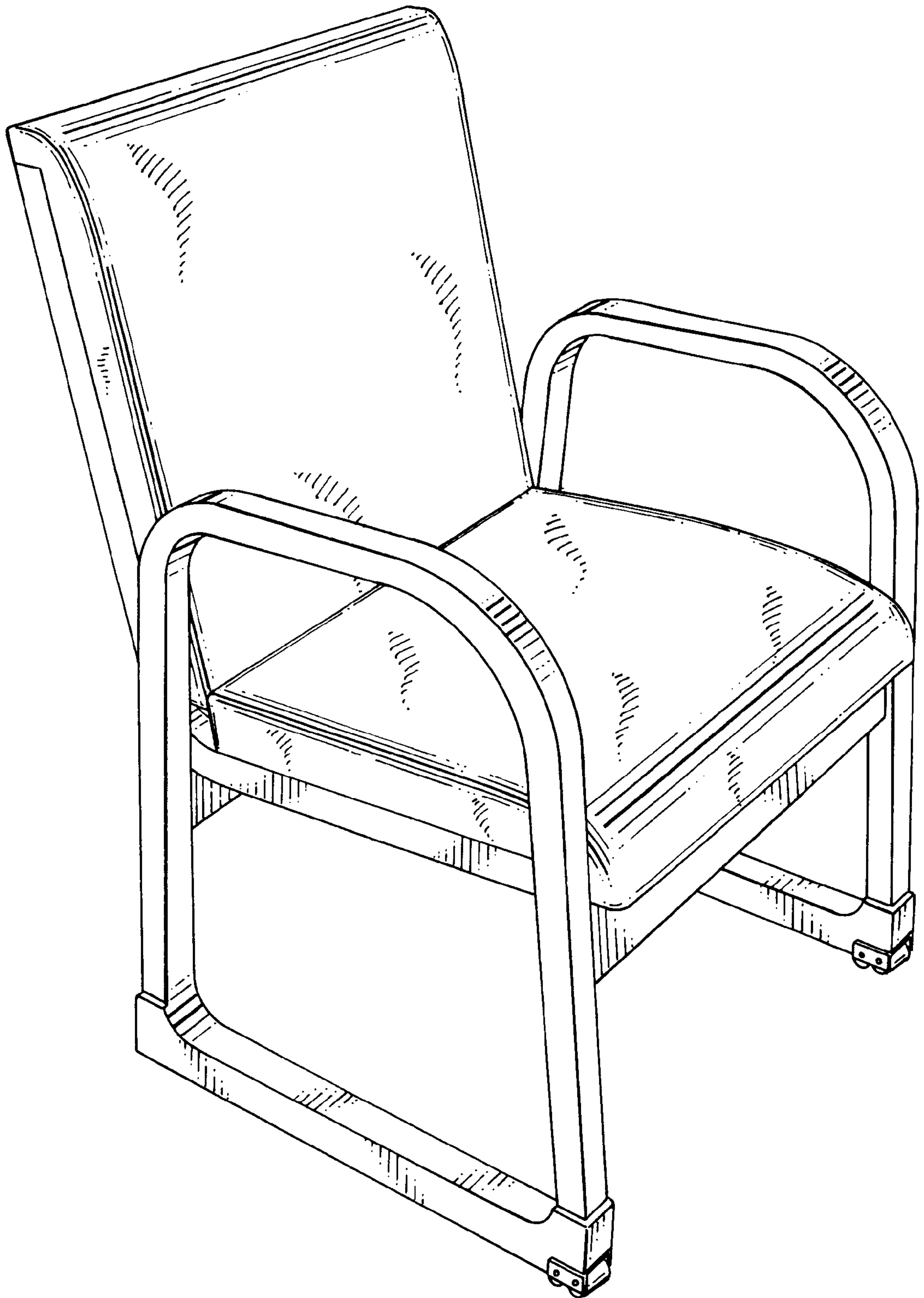


FIG. 1

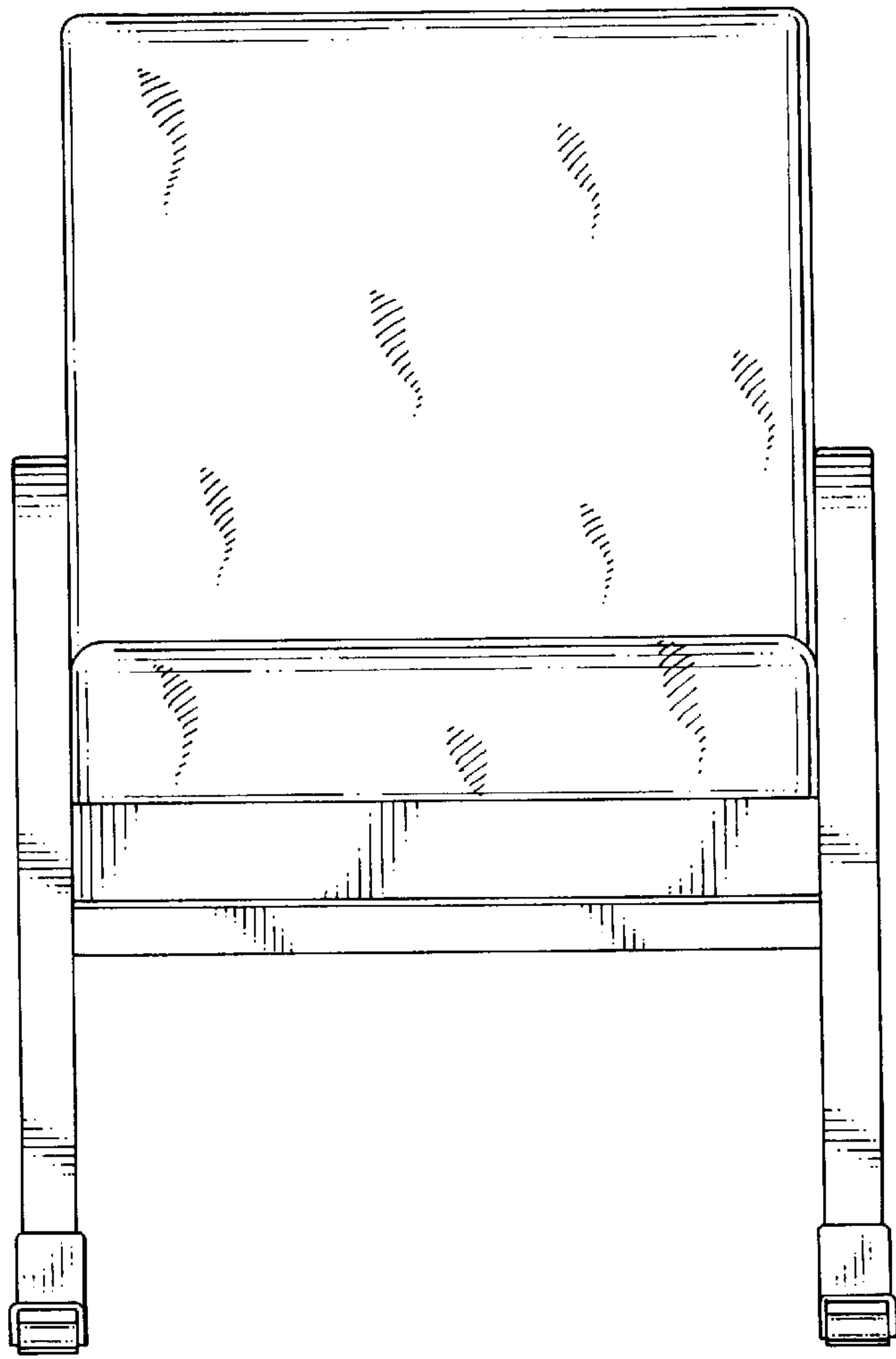


FIG. 2

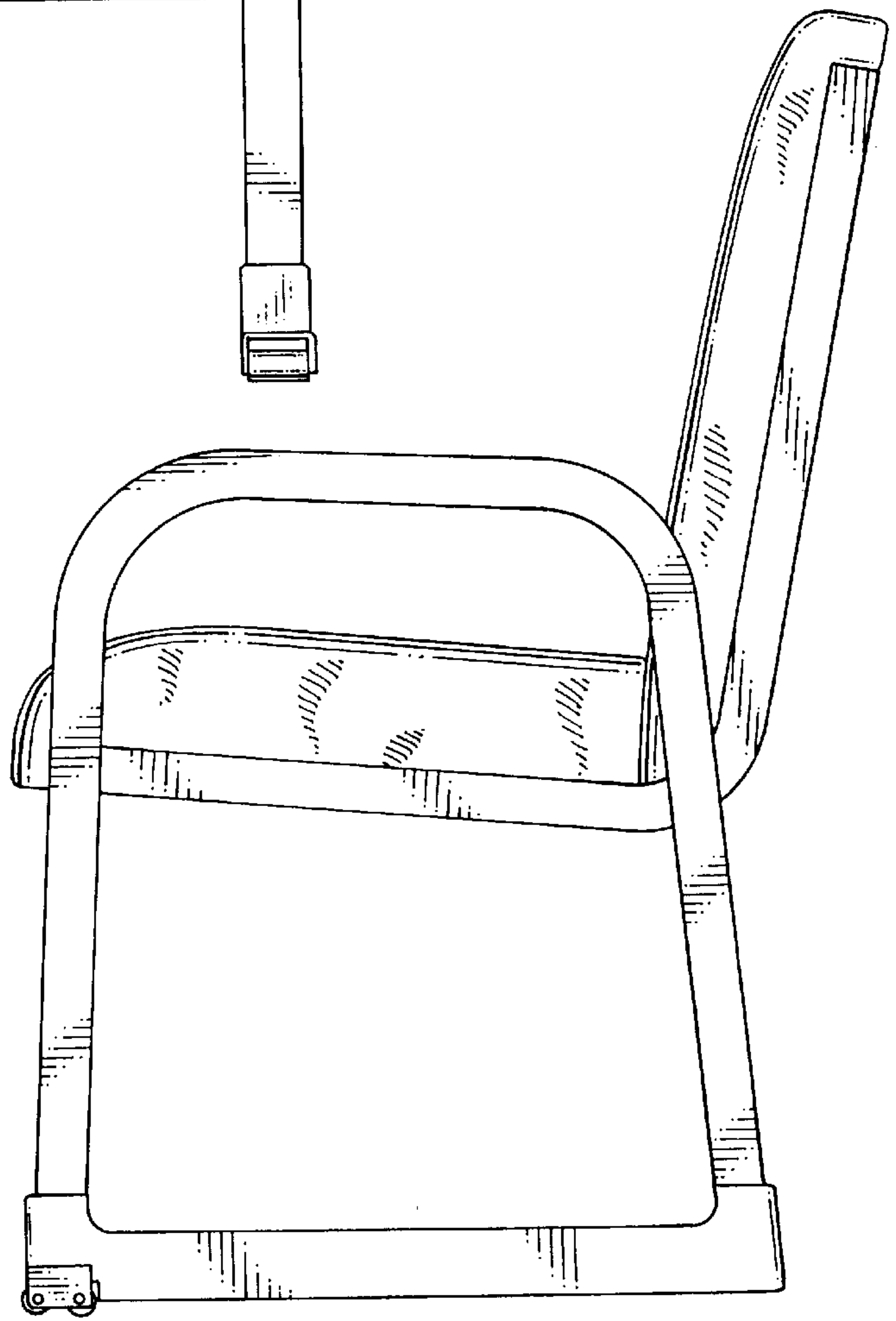


FIG. 3

FIG. 4

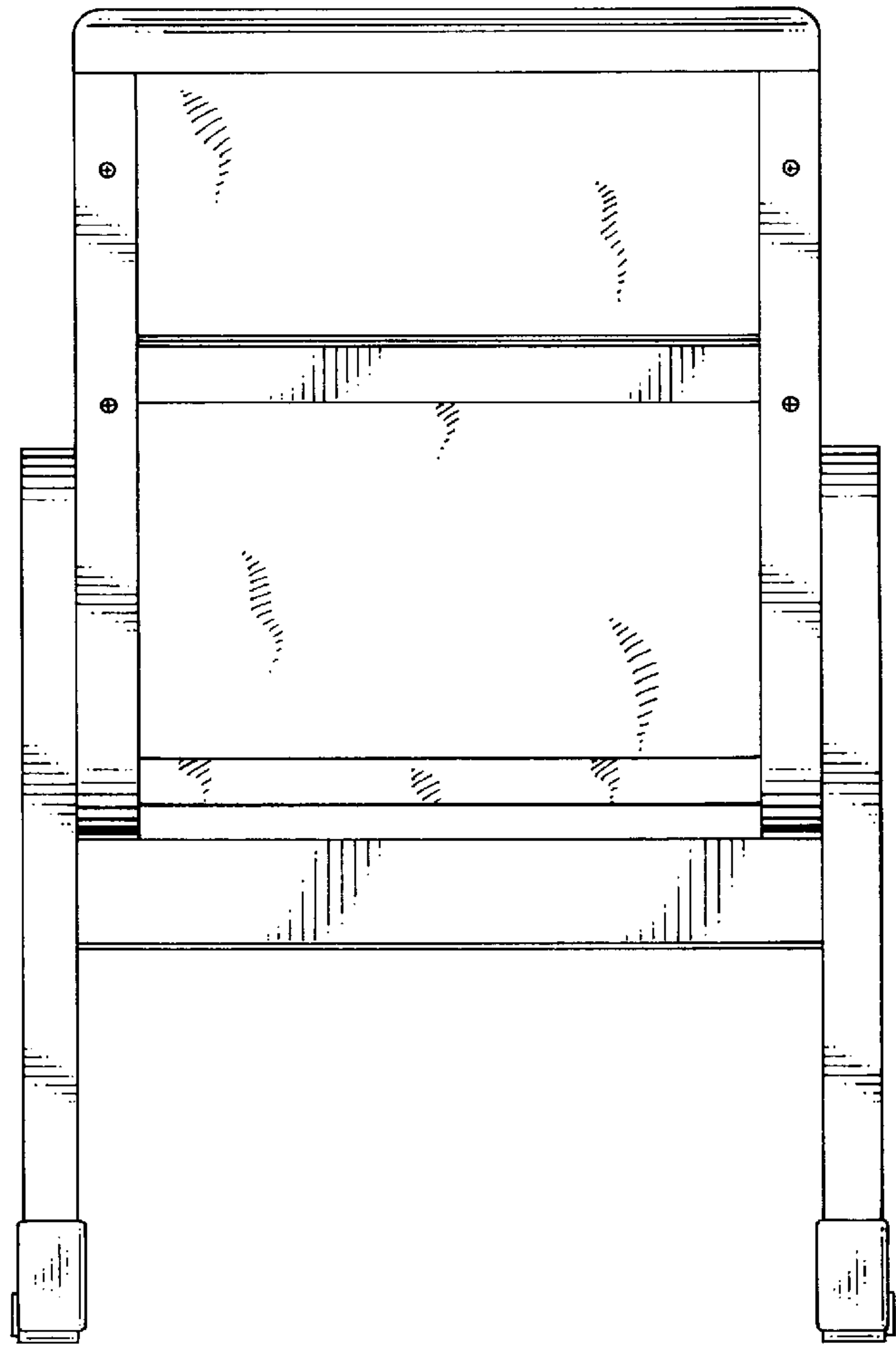
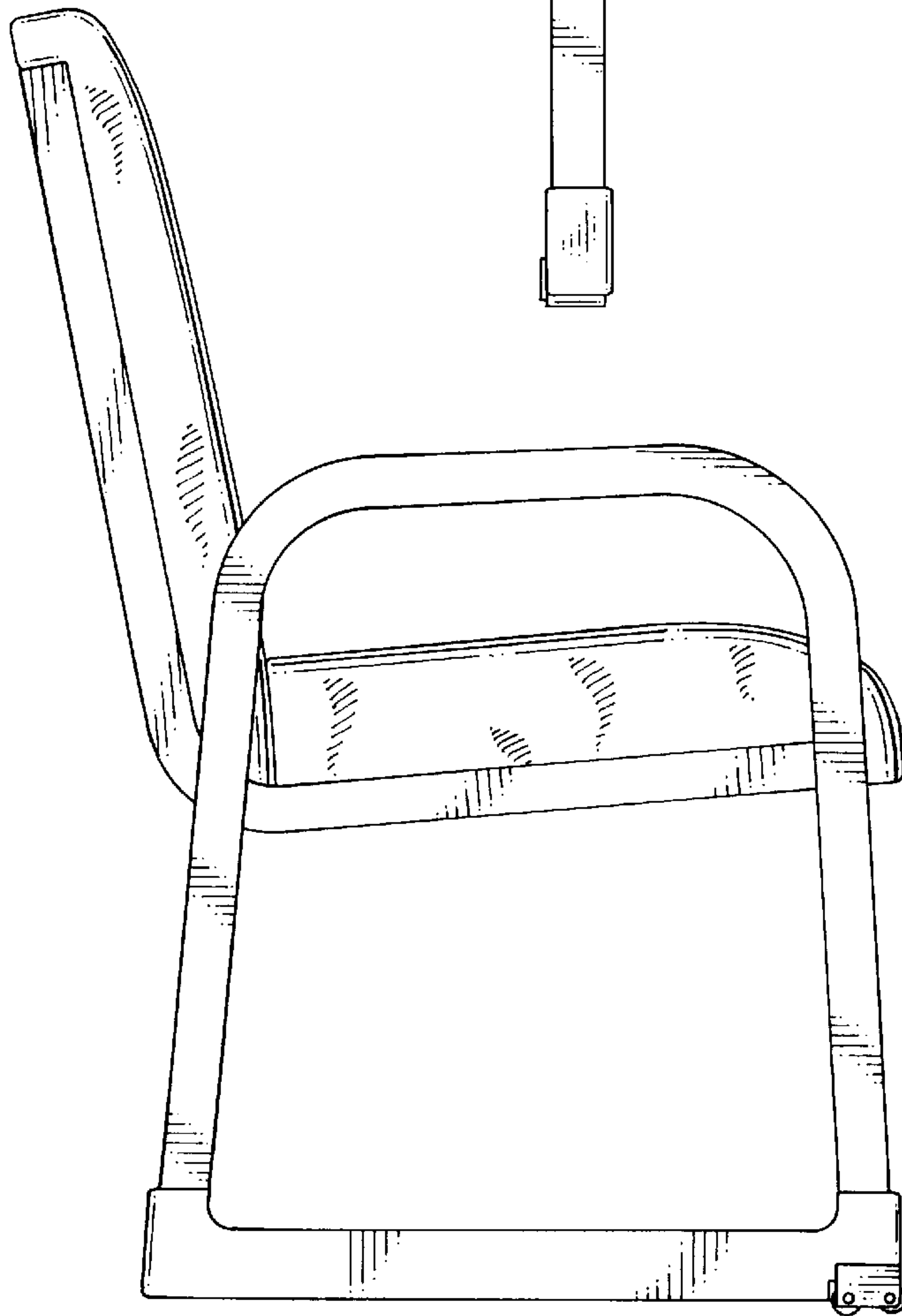


FIG. 5



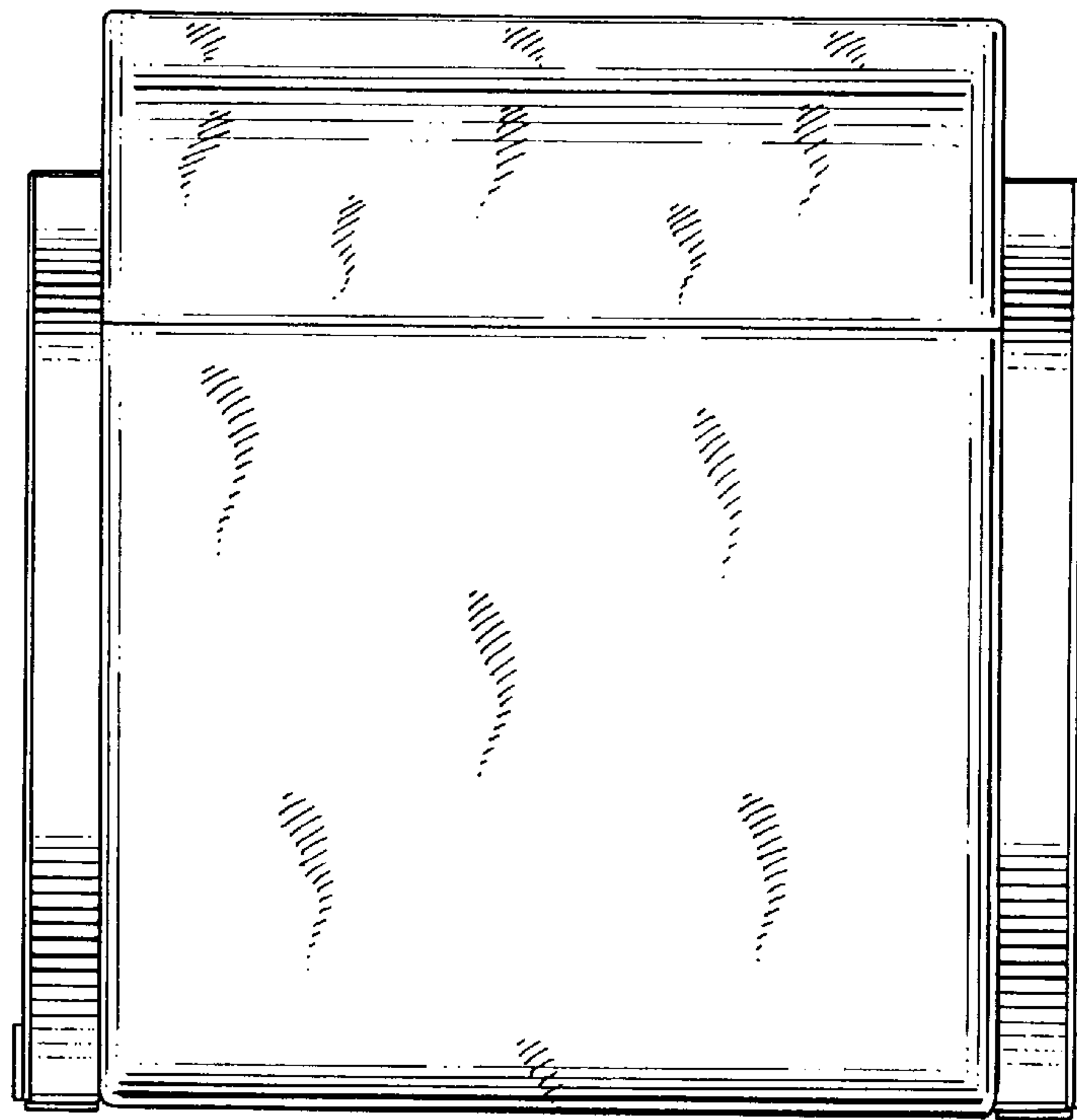


FIG. 6

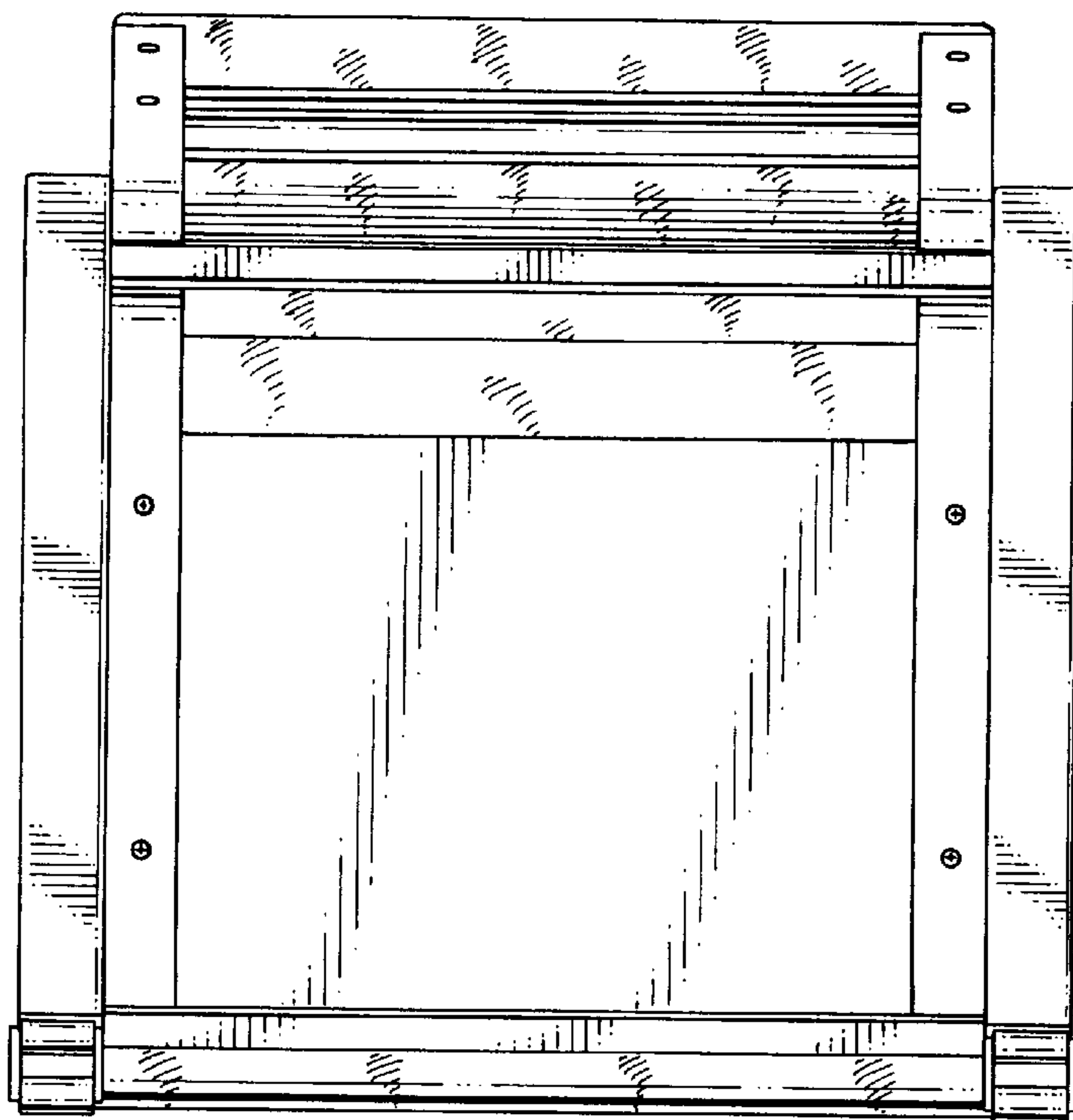


FIG. 7