



US00D413025S

United States Patent [19]

[11] Patent Number: Des. 413,025

Mariol et al.

[45] Date of Patent: ** *Aug. 24, 1999

[54] **PLAY YARD**

[75] Inventors: **John V. Mariol**, Cincinnati, Ohio;
Thomas J. Welsh, Jr., Naperville, Ill.

[73] Assignee: **Kolcraft Enterprises**

[*] Notice: This patent is subject to a terminal disclaimer.

[**] Term: **14 Years**

2,650,375	9/1953	Serrell	5/99
2,913,739	11/1959	White	5/99
3,777,321	12/1973	Hargett	5/99 C
4,186,454	2/1980	Cone	5/99 R
4,433,447	2/1984	Mathou	5/93 R
4,739,527	4/1988	Kohus et al.	5/99 R
4,811,437	3/1989	Dillner et al.	5/99 B
4,985,948	1/1991	Mariol	5/99.1
5,553,336	9/1996	Mariol	5/93.1
5,560,055	10/1996	Ziegler	5/99.1
5,581,827	12/1996	Fong et al.	5/99.1

[21] Appl. No.: **29/065,073**

[22] Filed: **Jan. 17, 1997**

Primary Examiner—Janice E. Seeger
Attorney, Agent, or Firm—Marshall, O’Toole, Gerstein, Murray & Borun

Related U.S. Application Data

[63] Continuation-in-part of application No. 08/711,541, Sep. 10, 1996, Pat. No. 5,826,285.

[51] **LOC (6) Cl.** **06-01**
 [52] **U.S. Cl.** **D6/331; D6/391**
 [58] **Field of Search** D6/382–384, 390–395,
 D6/331; 5/93.1, 98.1, 99.1, 907

[57] CLAIM

The ornamental design for a play yard, as shown and described.

DESCRIPTION

FIG. 1 is a perspective view of a play yard showing our new design;
 FIG. 2 is a top plan view thereof;
 FIG. 3 is a front elevational view thereof;
 FIG. 4 is a right side elevational view thereof, the left side view and the rear view being mirror images of the right side view; and,
 FIG. 5 is a bottom plan view thereof.
 The structures shown in broken lines are for environmental purposes only and form no part of the claimed invention.

[56] References Cited

U.S. PATENT DOCUMENTS

D. 304,523	11/1989	Dillner et al.	D6/391
D. 366,978	2/1996	Mariol	D6/491
1,374,333	4/1921	Stotler et al.	.
1,413,068	4/1922	Stotler et al.	.
2,490,296	12/1949	Fournier	5/99
2,574,079	11/1951	White	5/99

1 Claim, 3 Drawing Sheets

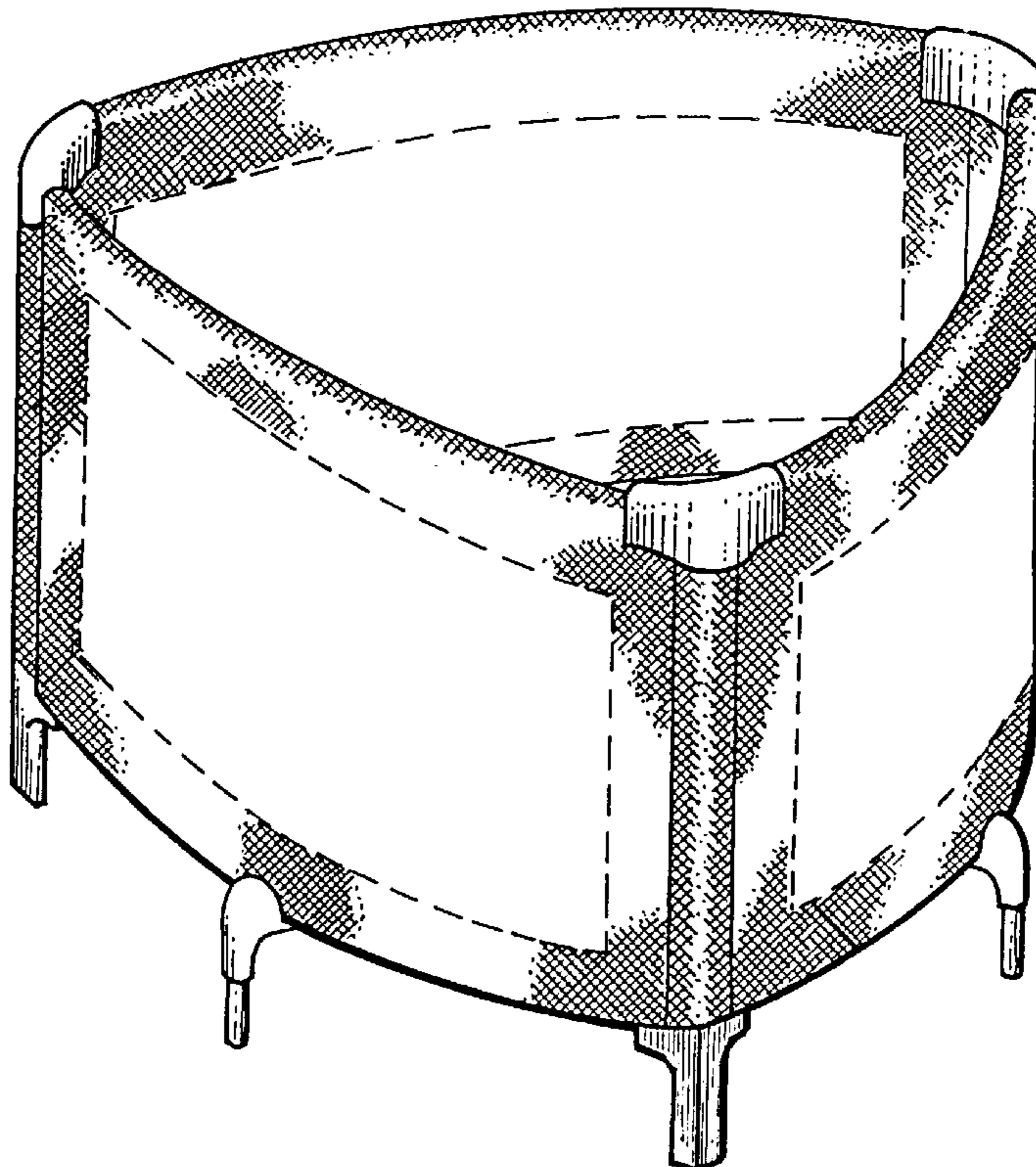


FIG.1

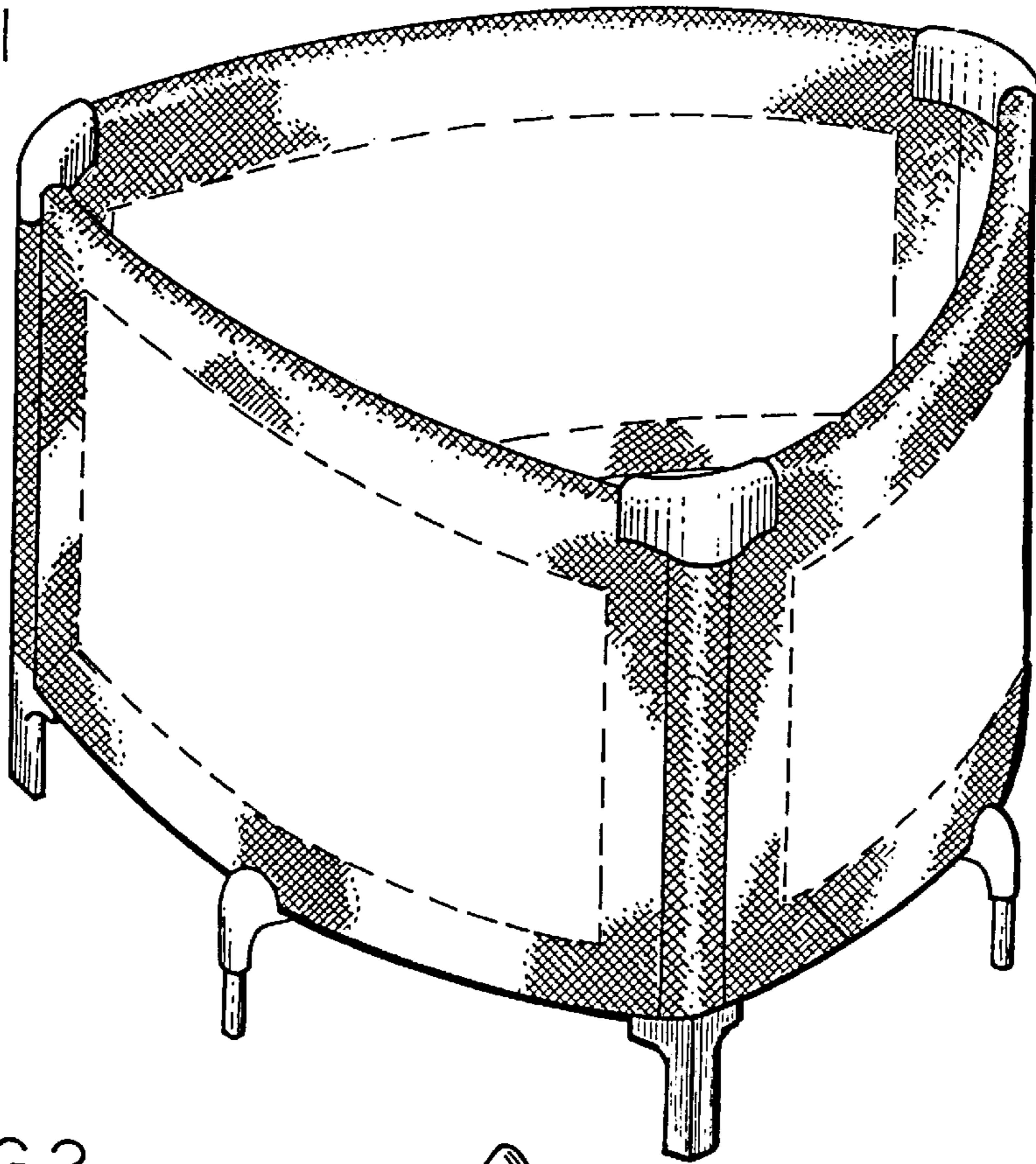


FIG.2

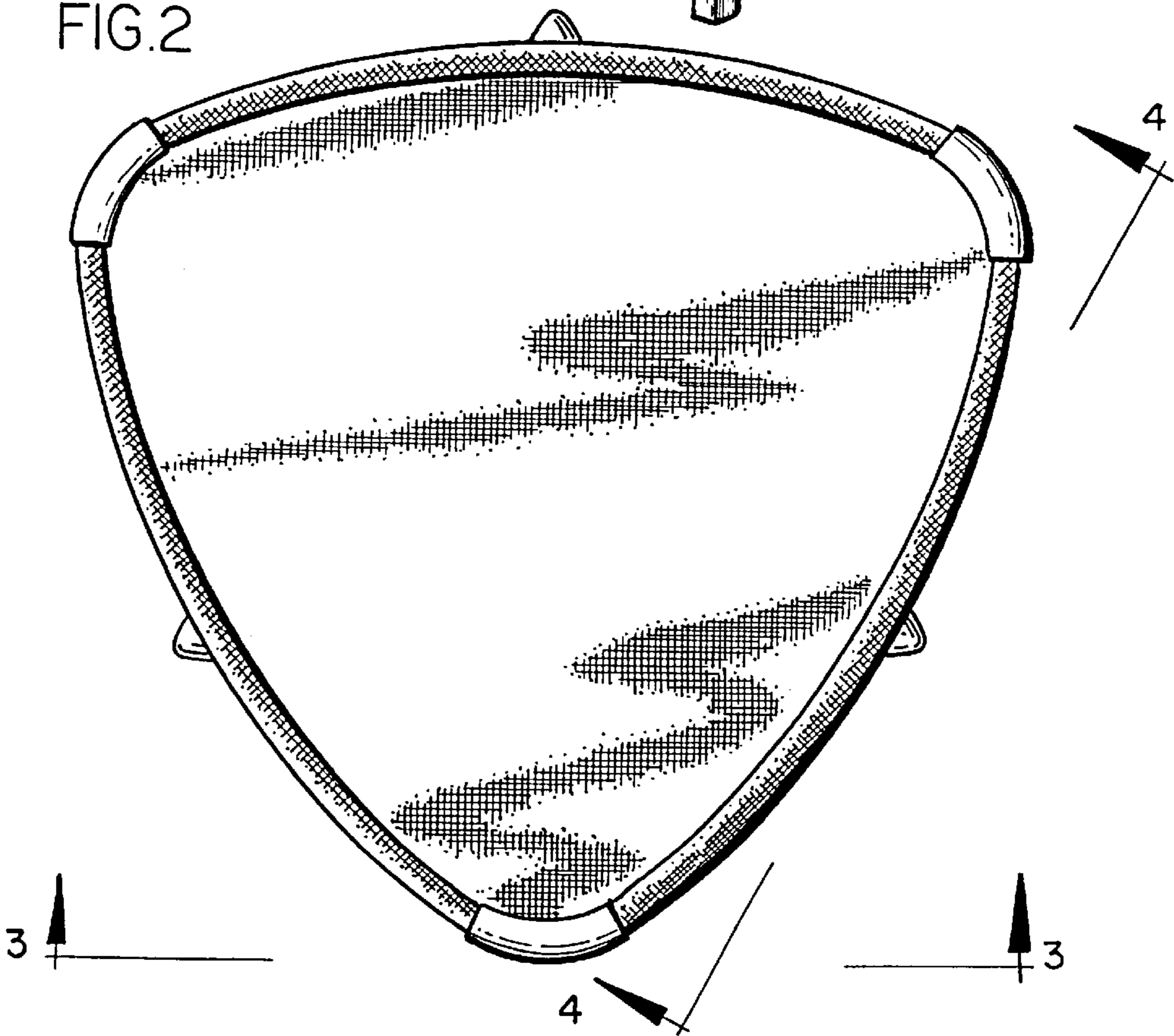


FIG. 3

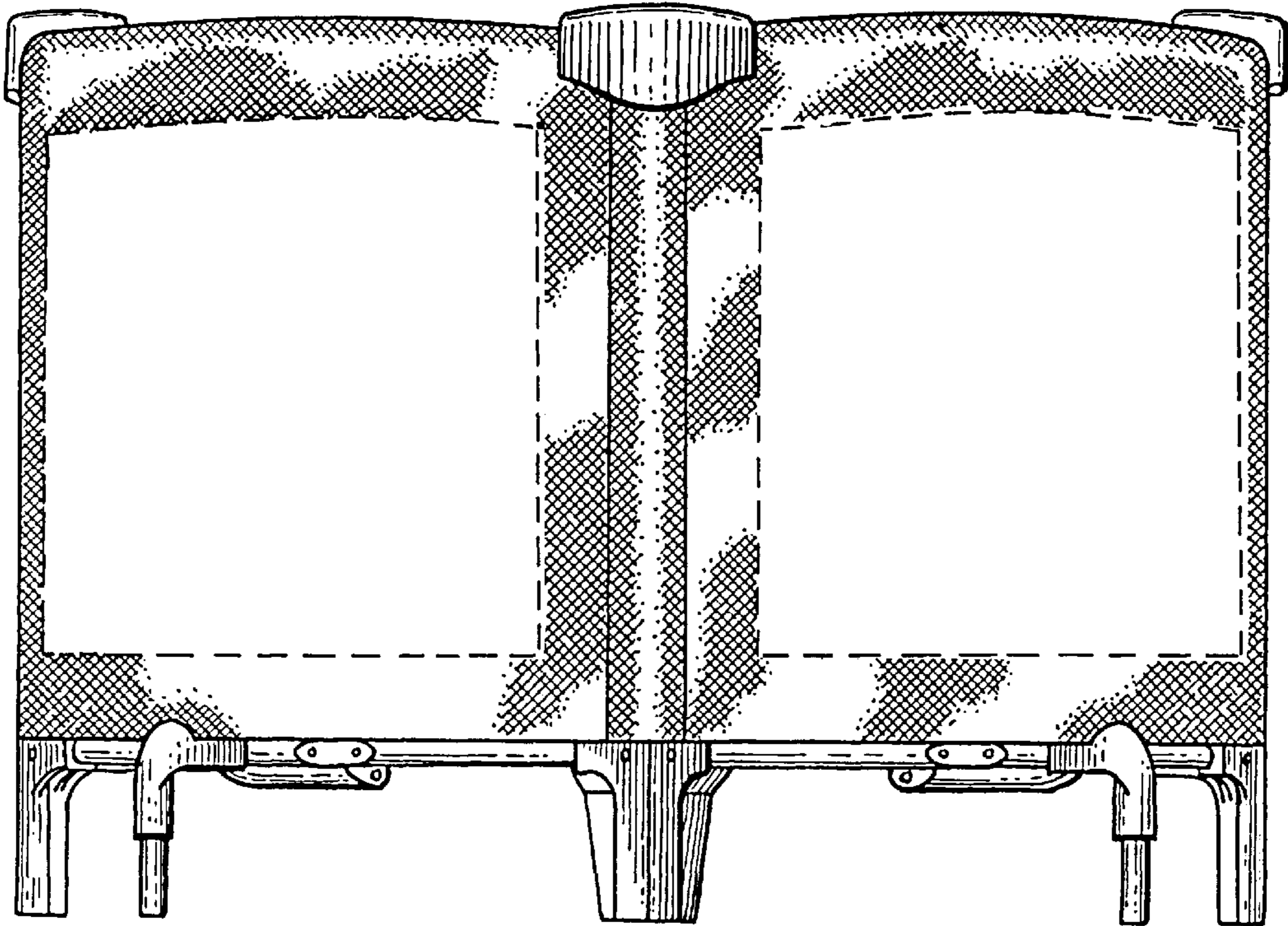


FIG. 4

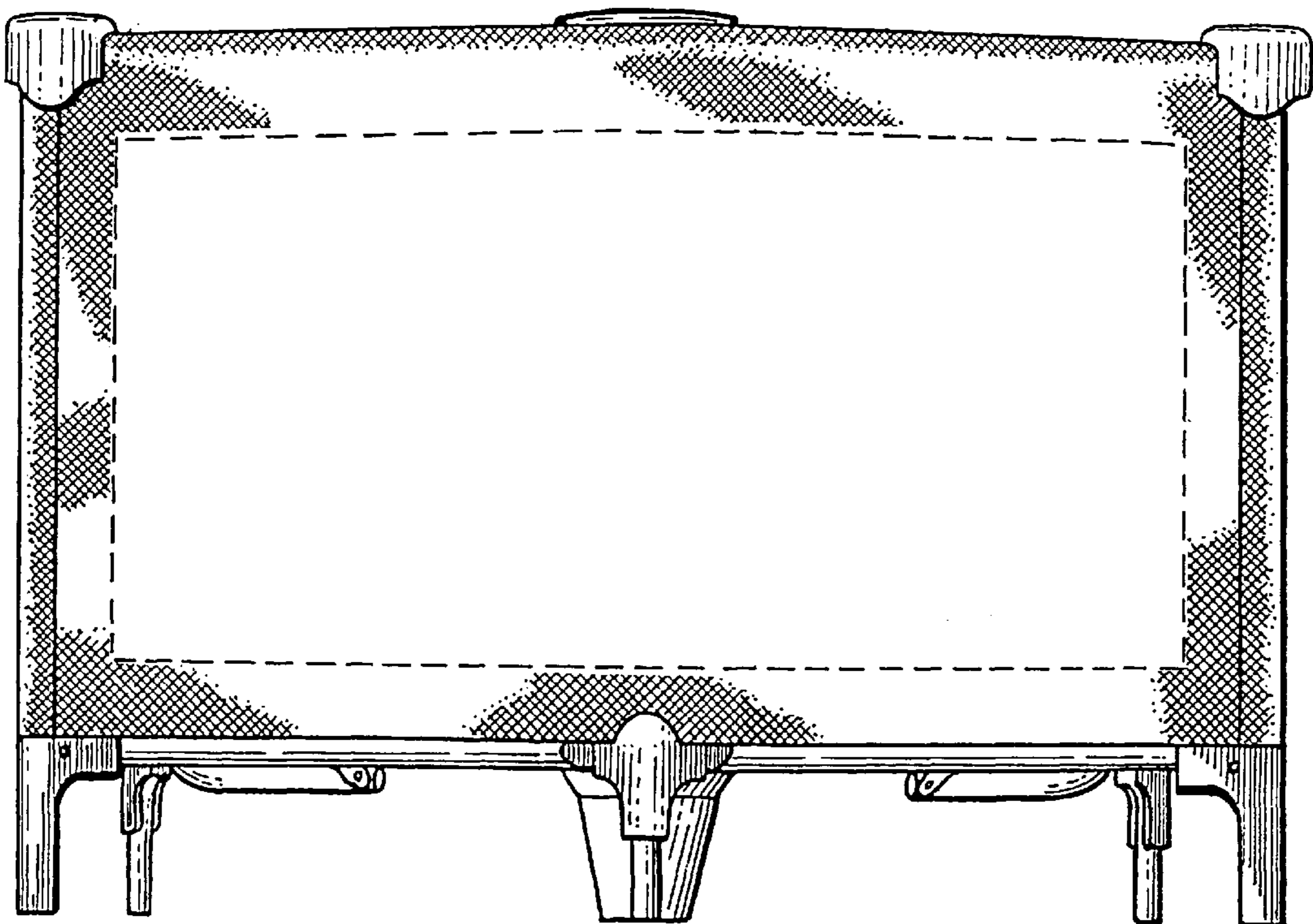


FIG. 5

