



US00D413023S

United States Patent [19]
Zaidman

[11] **Patent Number: Des. 413,023**

[45] **Date of Patent: ** Aug. 24, 1999**

[54] **MIRROR**

D. 339,920 10/1993 Hampshire D6/300
2,504,375 4/1950 Barbieri D6/301
2,746,190 5/1956 Schenkman 40/745

[75] Inventor: **S. Paul Zaidman**, Winnipeg, Canada

[73] Assignee: **Palliser Furniture Ltd.**, Canada

[**] Term: **14 Years**

Primary Examiner—Janice E. Seeger
Attorney, Agent, or Firm—Michael Best & Friedrich LLP

[21] Appl. No.: **29/075,428**

[57] **CLAIM**

[22] Filed: **Aug. 20, 1997**

The ornamental design for a mirror, as shown and described.

[30] **Foreign Application Priority Data**

DESCRIPTION

Jul. 31, 1997 [CA] Canada 1997-1975

[51] **LOC (6) Cl.** **06-07**

FIG. 1 is a perspective view of a mirror, showing my new design; the opposite side being a mirror image thereof;

[52] **U.S. Cl.** **D6/300**

FIG. 2 is a front elevational view;

[58] **Field of Search** D6/300-314, 444;
D20/40; 40/700, 711, 714-716, 735, 745,
750, 765, 780, 790, 791, 798, 799

FIG. 3 is a perspective view; and,

FIG. 4 is a front elevational thereof.

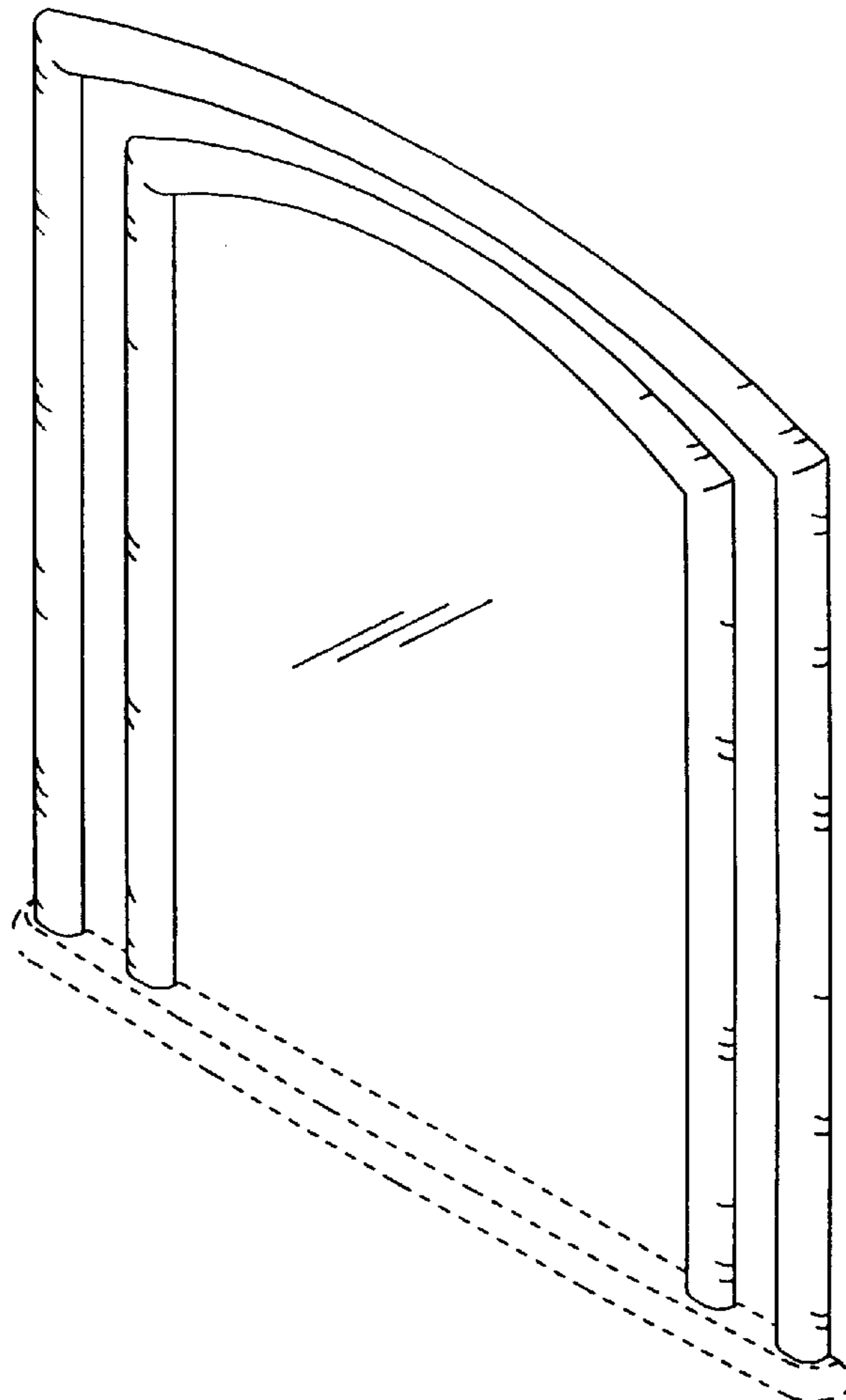
The broken lines are for environmental purposes only and form no part of the claimed design.

[56] **References Cited**

U.S. PATENT DOCUMENTS

D. 143,390 1/1946 Barbieri D6/314

1 Claim, 2 Drawing Sheets



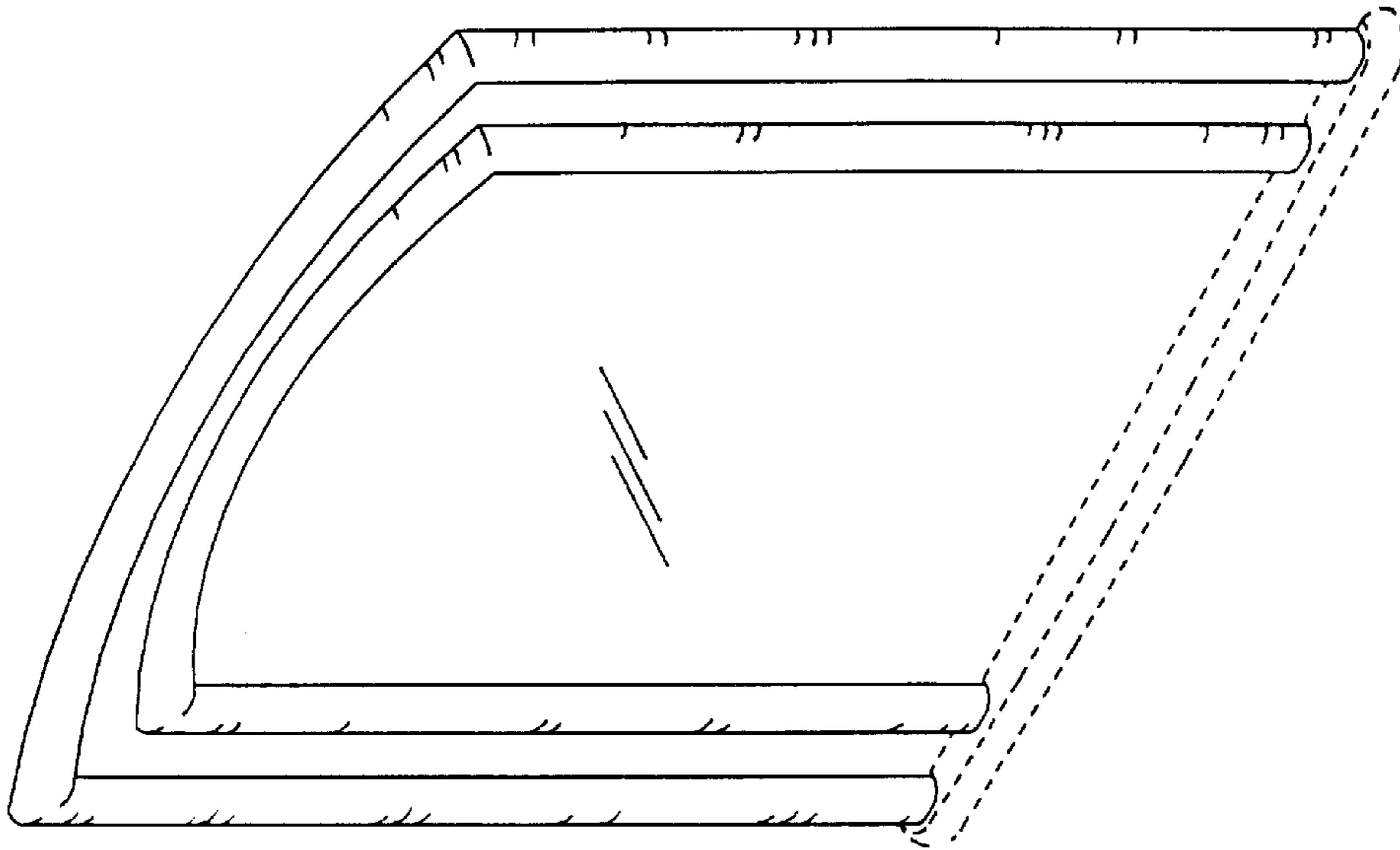


FIG. 1

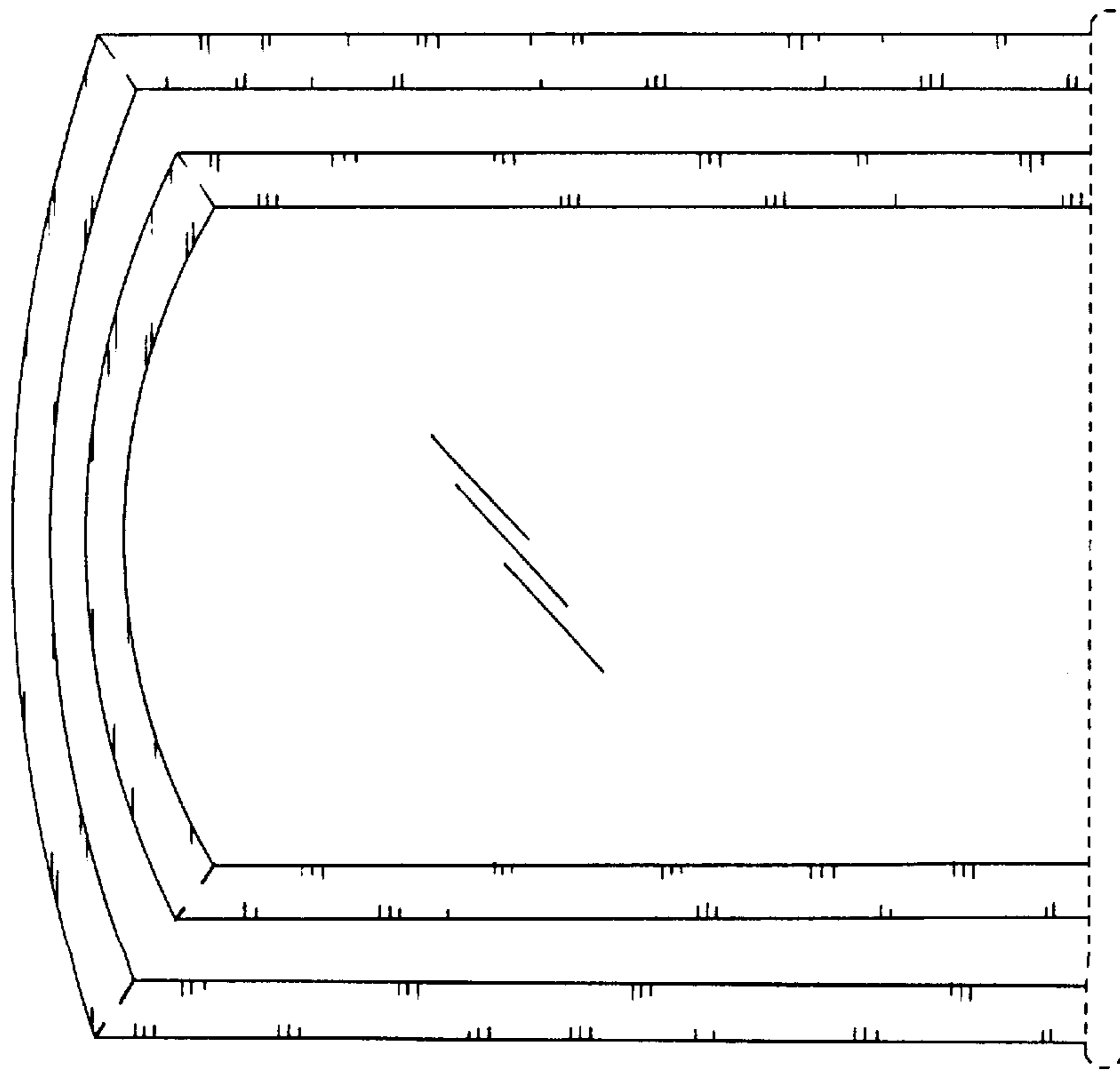


FIG. 2

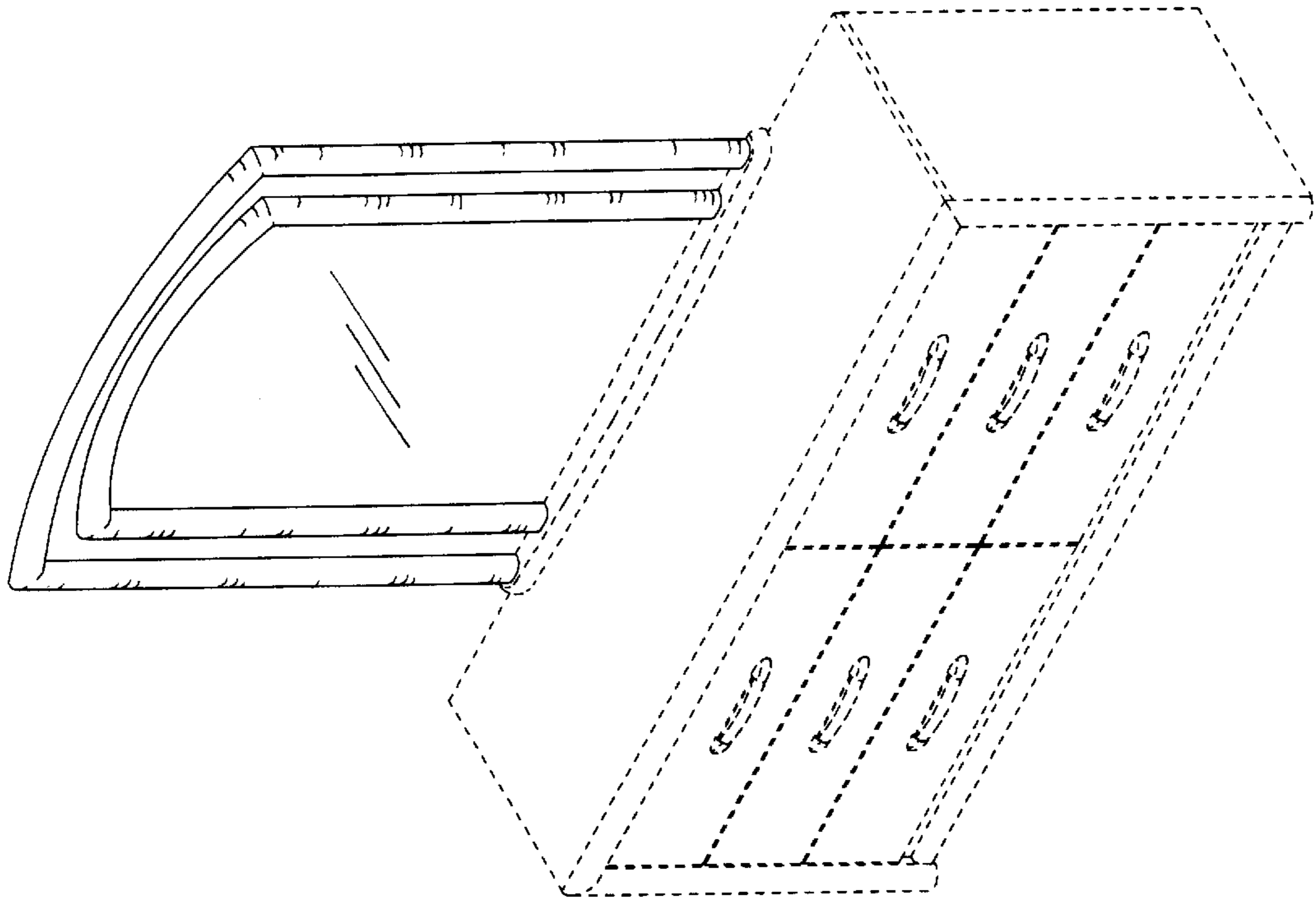


FIG. 3

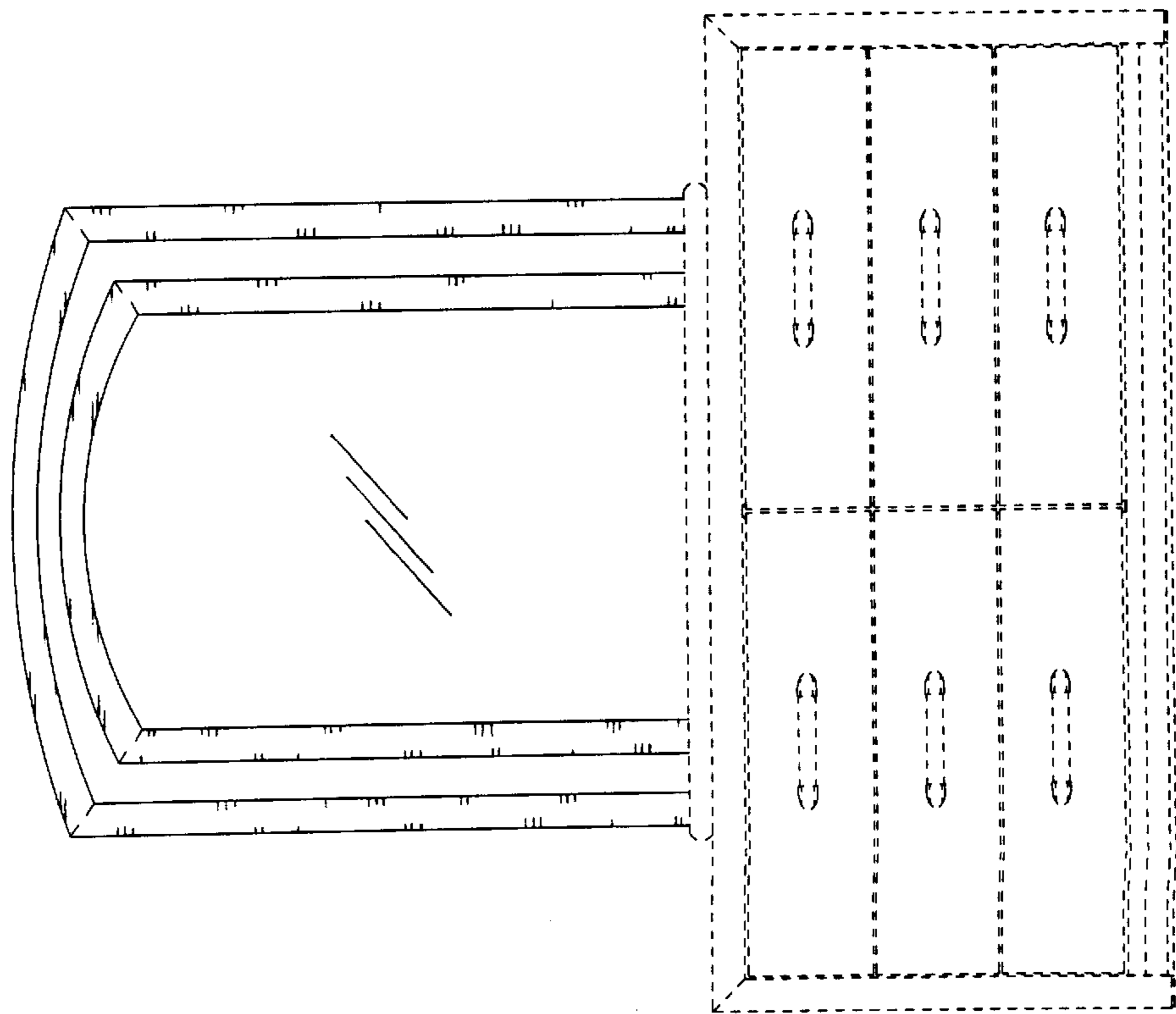


FIG. 4