



US00D413021S

United States Patent [19]
Wheatley et al.

[11] **Patent Number: Des. 413,021**
[45] **Date of Patent: ** Aug. 24, 1999**

[54] **CONTAINER FOR COMMUNICATIONS EQUIPMENT**

[75] Inventors: **David J Wheatley; Anthony C Douglas**, both of Saffron Walden; **Robin Ferraby**, Hallaton; **Darren Humphries**, Sawbridgeworth, all of United Kingdom

[73] Assignee: **Northern Telecom Limited**, Montreal, Canada

[**] Term: **14 Years**

[21] Appl. No.: **29/090,556**

[22] Filed: **Jul. 9, 1998**

[30] **Foreign Application Priority Data**

Mar. 13, 1998 [GB] United Kingdom 2073200

[51] **LOC (6) Cl.** **03-01**

[52] **U.S. Cl.** **D3/273; D14/240; D13/184; D10/104**

[58] **Field of Search** D14/240, 242, D14/140, 142, 256; D3/273; D13/184; D10/104; 379/428, 440, 441, 442

[56] **References Cited**

U.S. PATENT DOCUMENTS

D. 367,042 2/1996 Morrow et al. D13/184

D. 378,577	3/1997	Peroni	D13/184
D. 380,199	6/1997	Beruscha et al.	D14/242
D. 380,475	7/1997	Rasmussen	D14/240
D. 390,570	2/1998	Read	D14/240
D. 392,644	3/1998	McGugan	D14/240
D. 392,945	3/1998	Barry et al.	D13/184
D. 393,644	4/1998	Cho et al.	D14/240
D. 398,582	9/1998	Fryers	D13/184

Primary Examiner—Philip S. Hyder
Attorney, Agent, or Firm—Lee, Mann, Smith, McWilliams, Sweeney & Ohlson

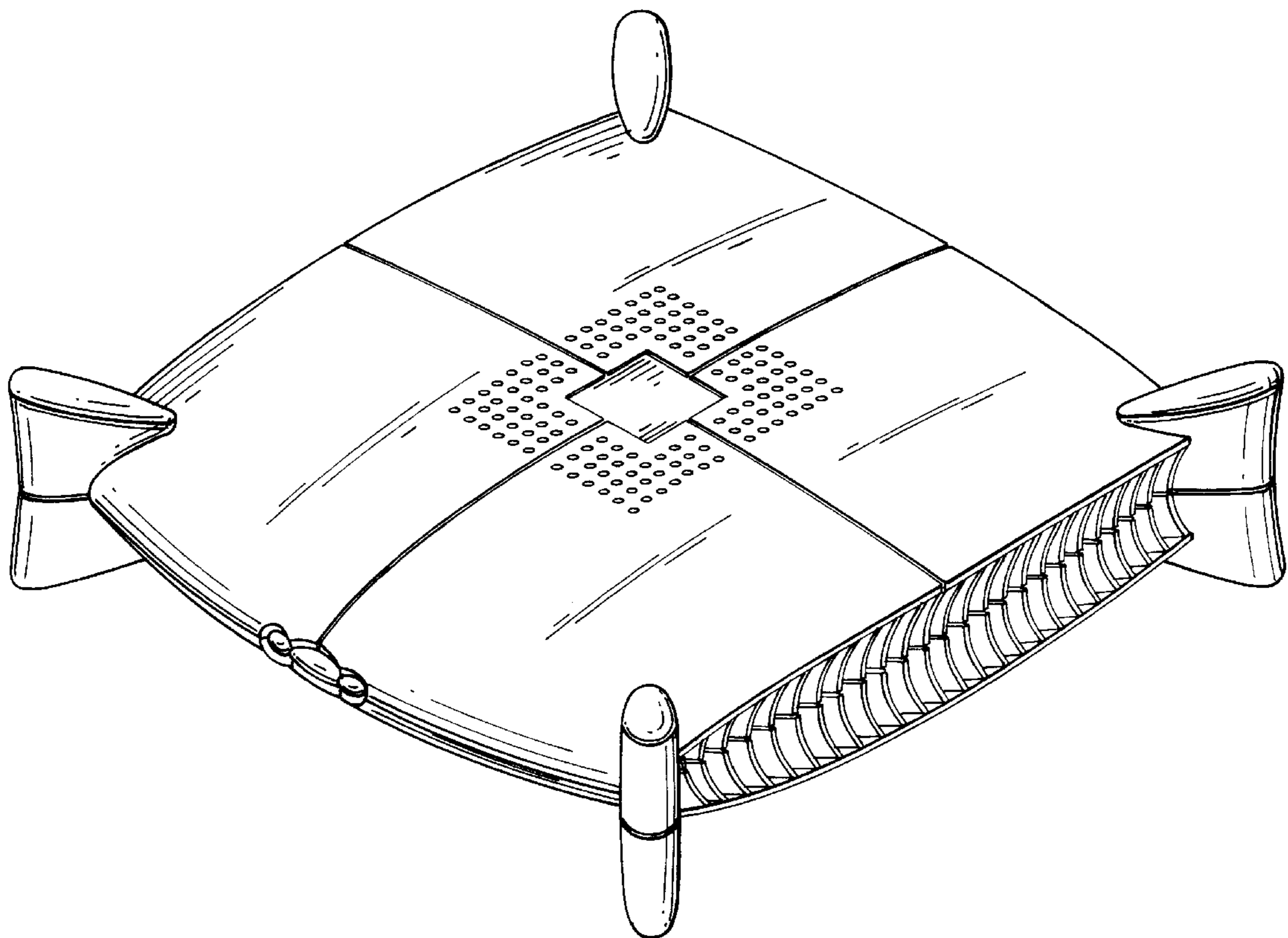
[57] **CLAIM**

The ornamental design for a container for communications equipment, as shown and described.

DESCRIPTION

FIG. 1 is a perspective view from the front and to the left of the container for communications equipment;
FIG. 2 is a perspective view from the front and to the right;
FIG. 3 is a plan view from above;
FIG. 4 is a plan view from below;
FIG. 5 is a front elevational view;
FIG. 6 is a right hand side elevational view, left hand side is a mirror image of right hand side;
FIG. 7 is a rear elevational view; and,
FIG. 8 is a perspective view showing the container supported in a different orientation.

1 Claim, 6 Drawing Sheets



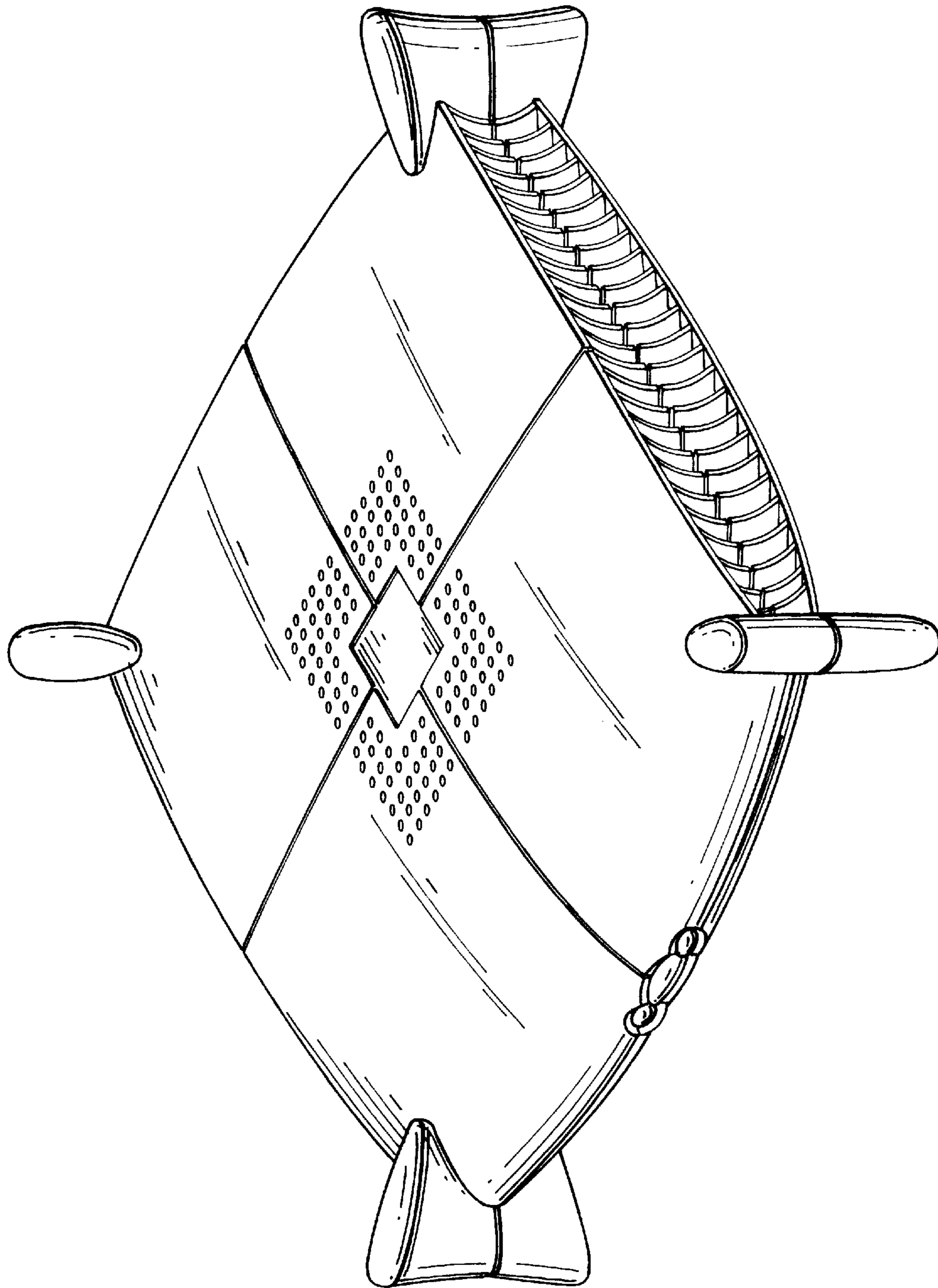


Fig. 1

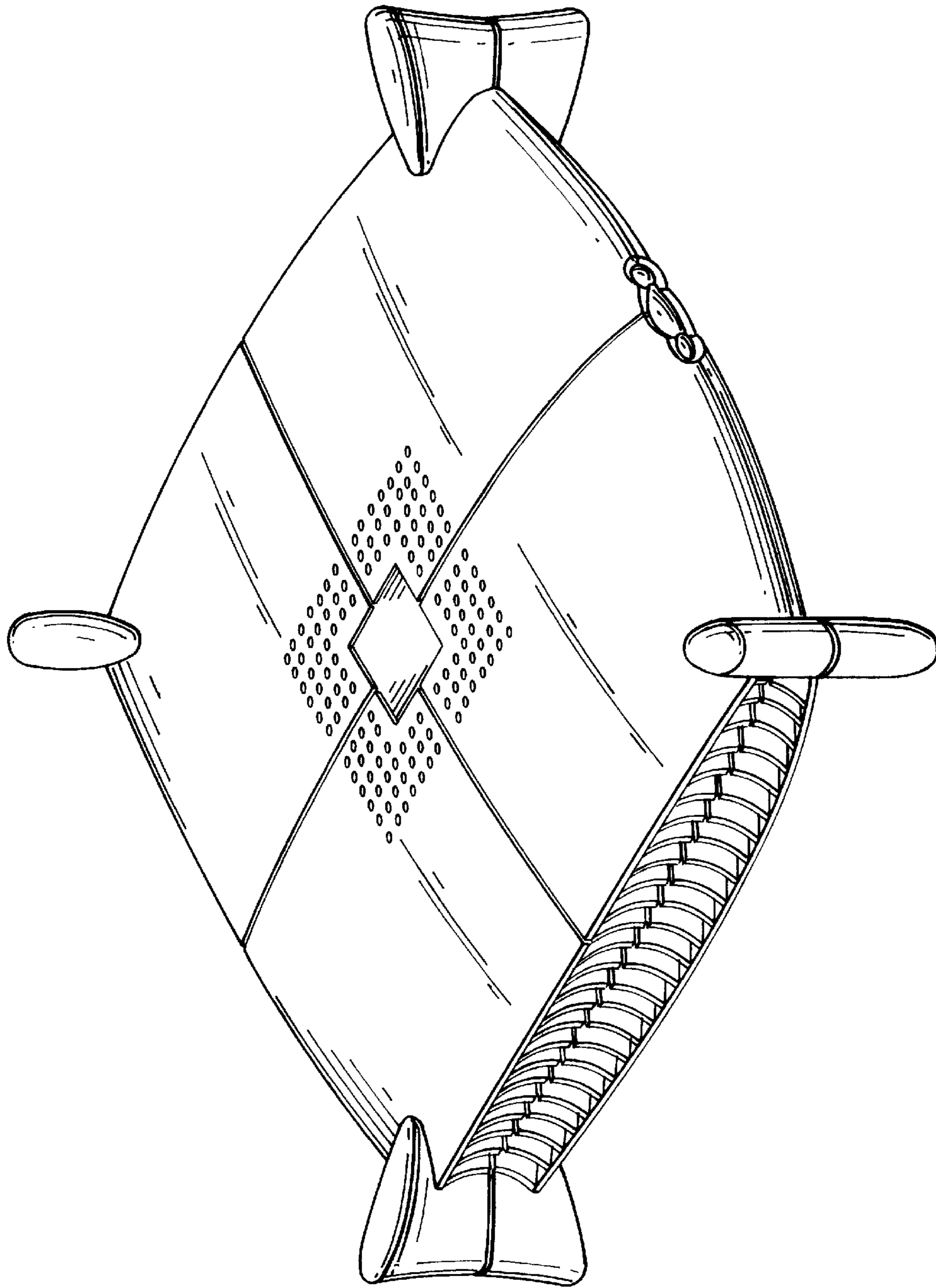


Fig. 2

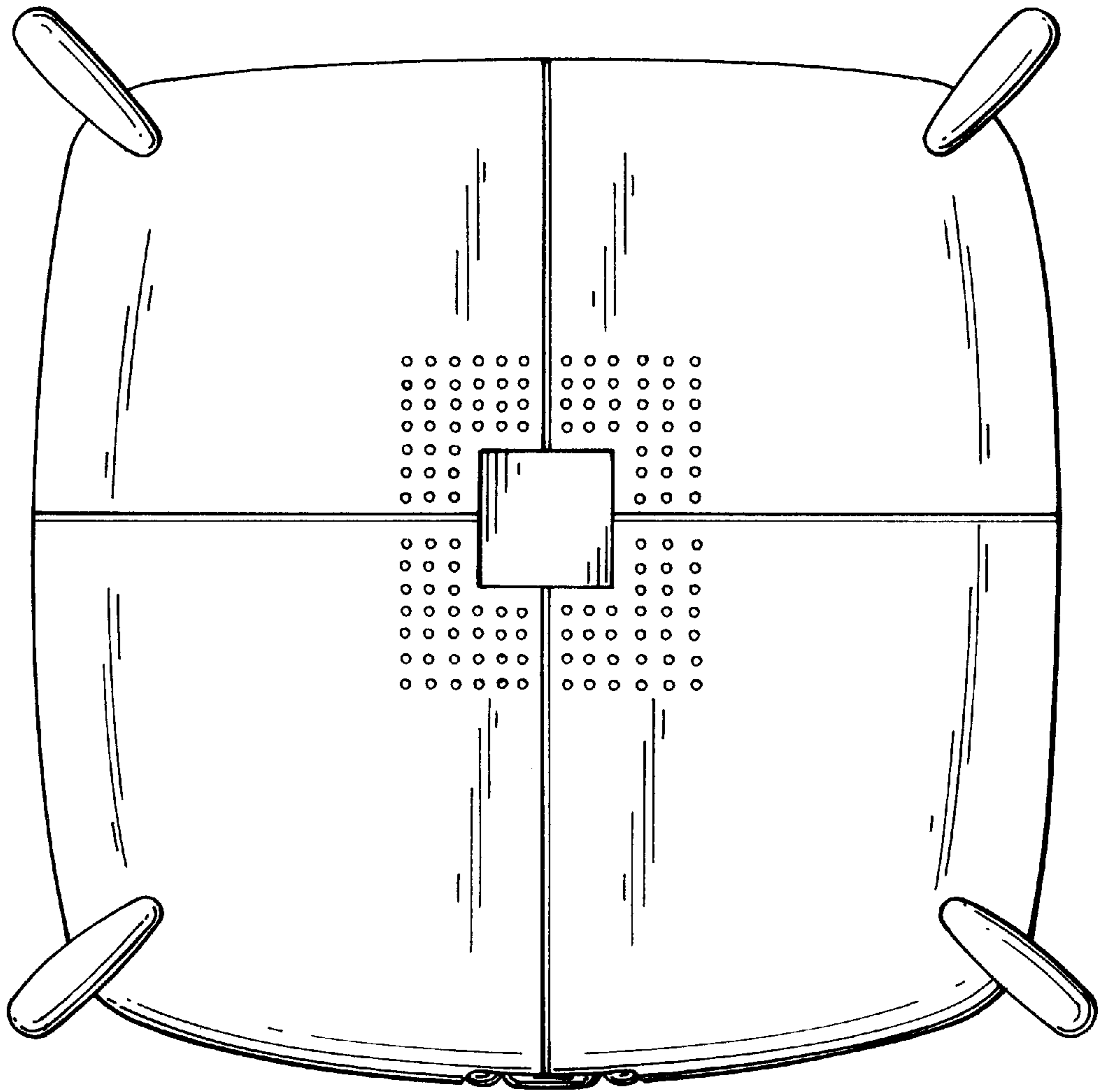


Fig. 3

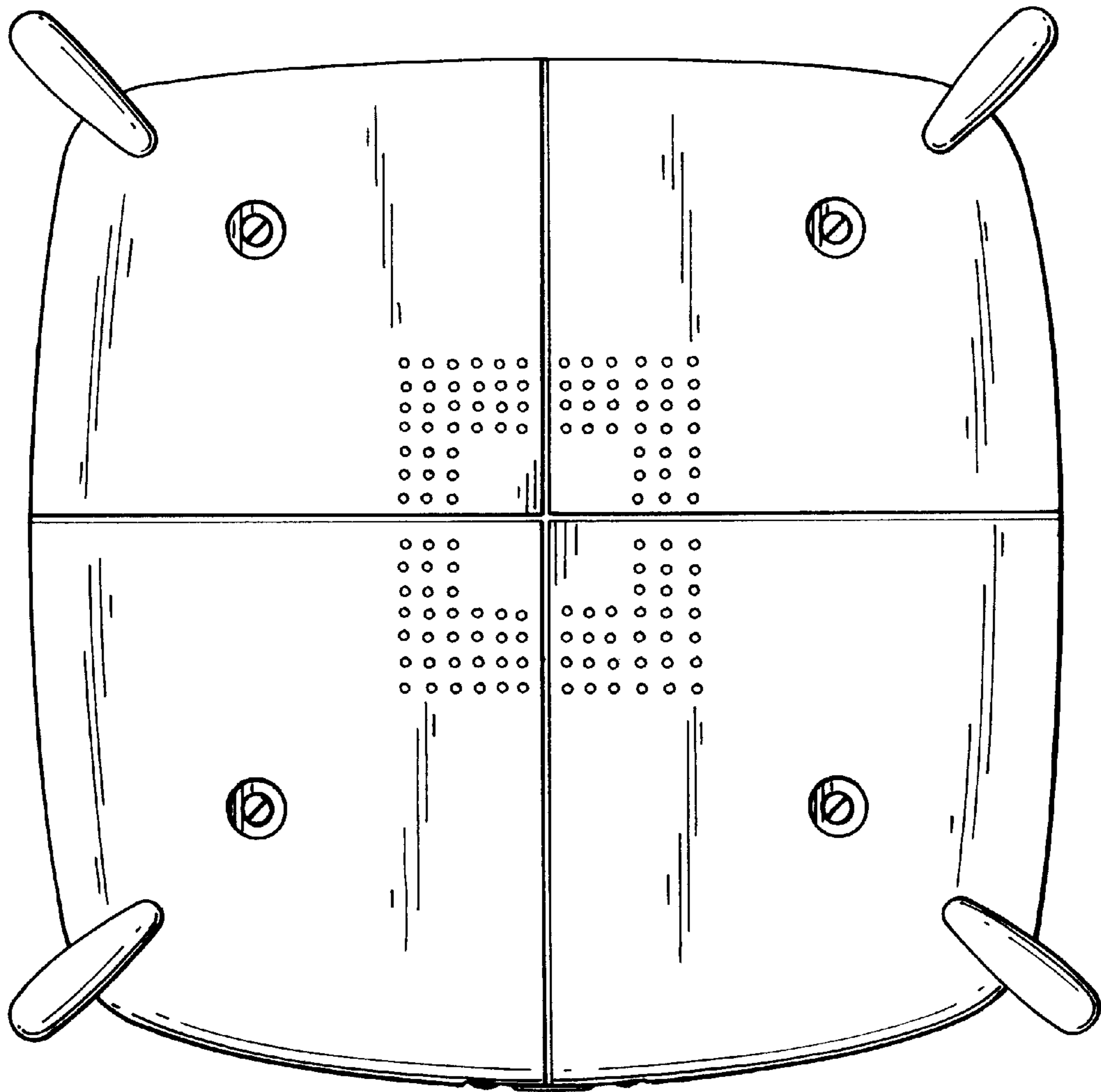


Fig. 4

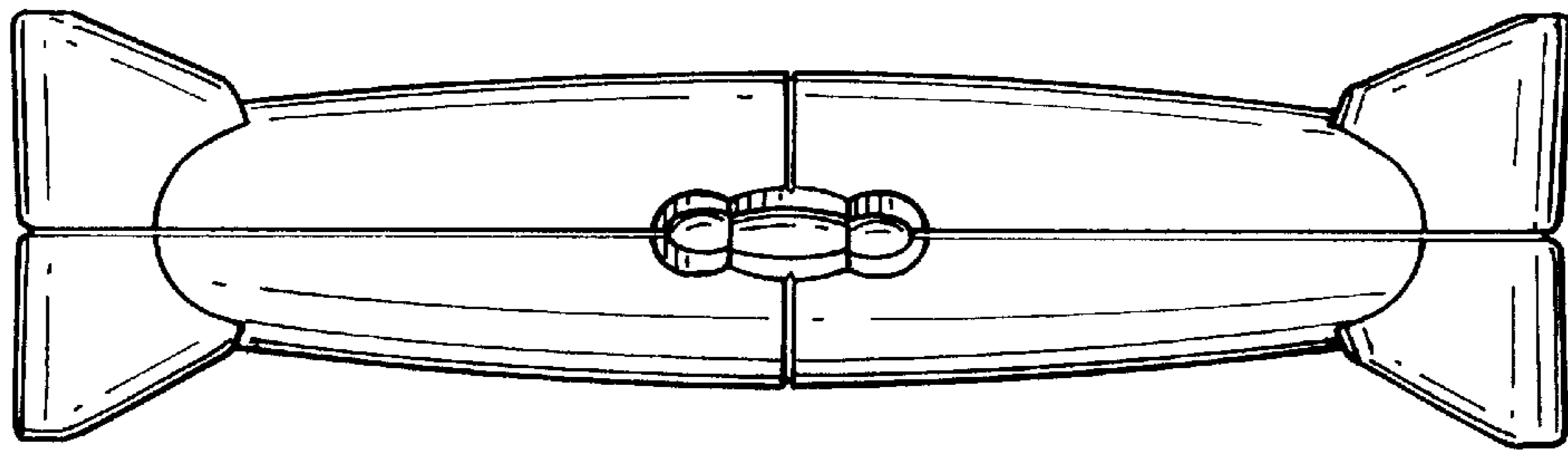


Fig. 5

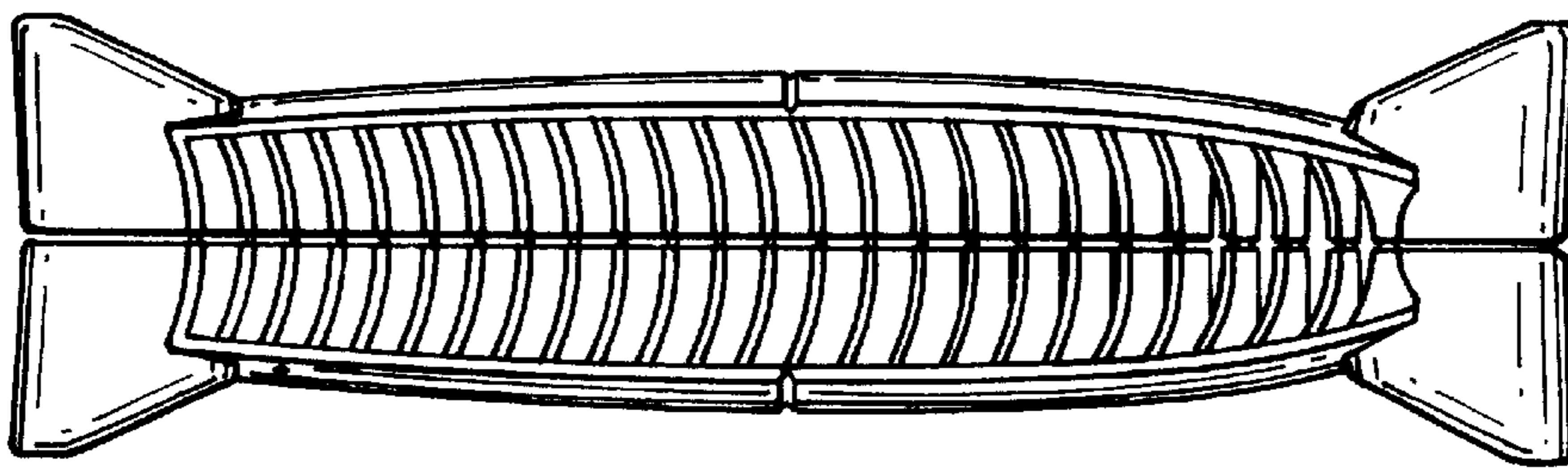


Fig. 6

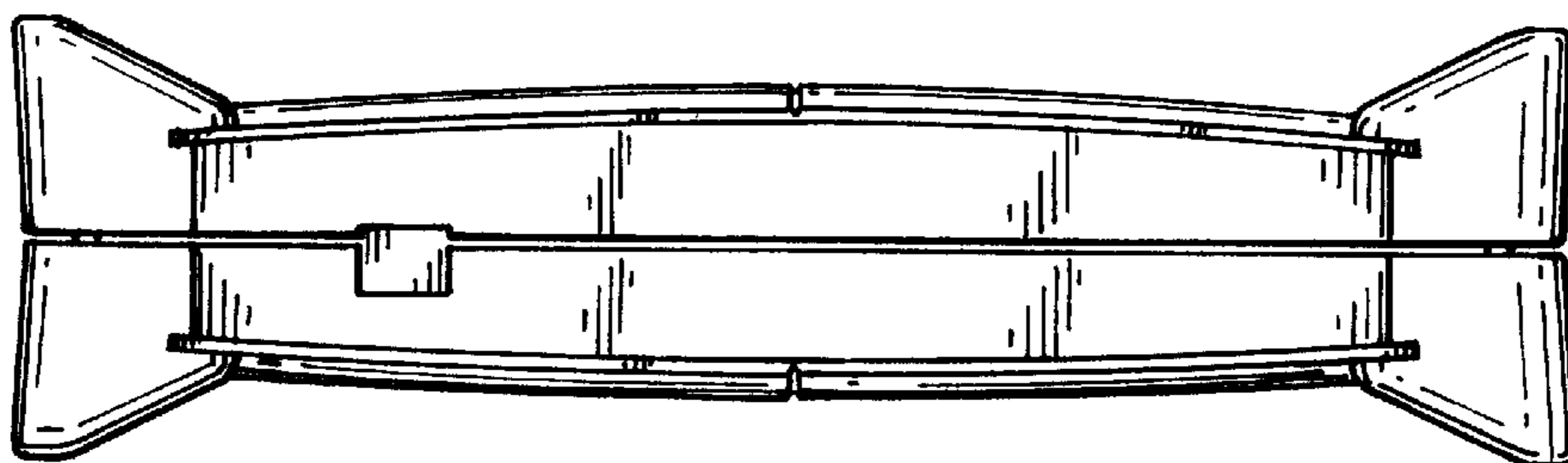


Fig. 7

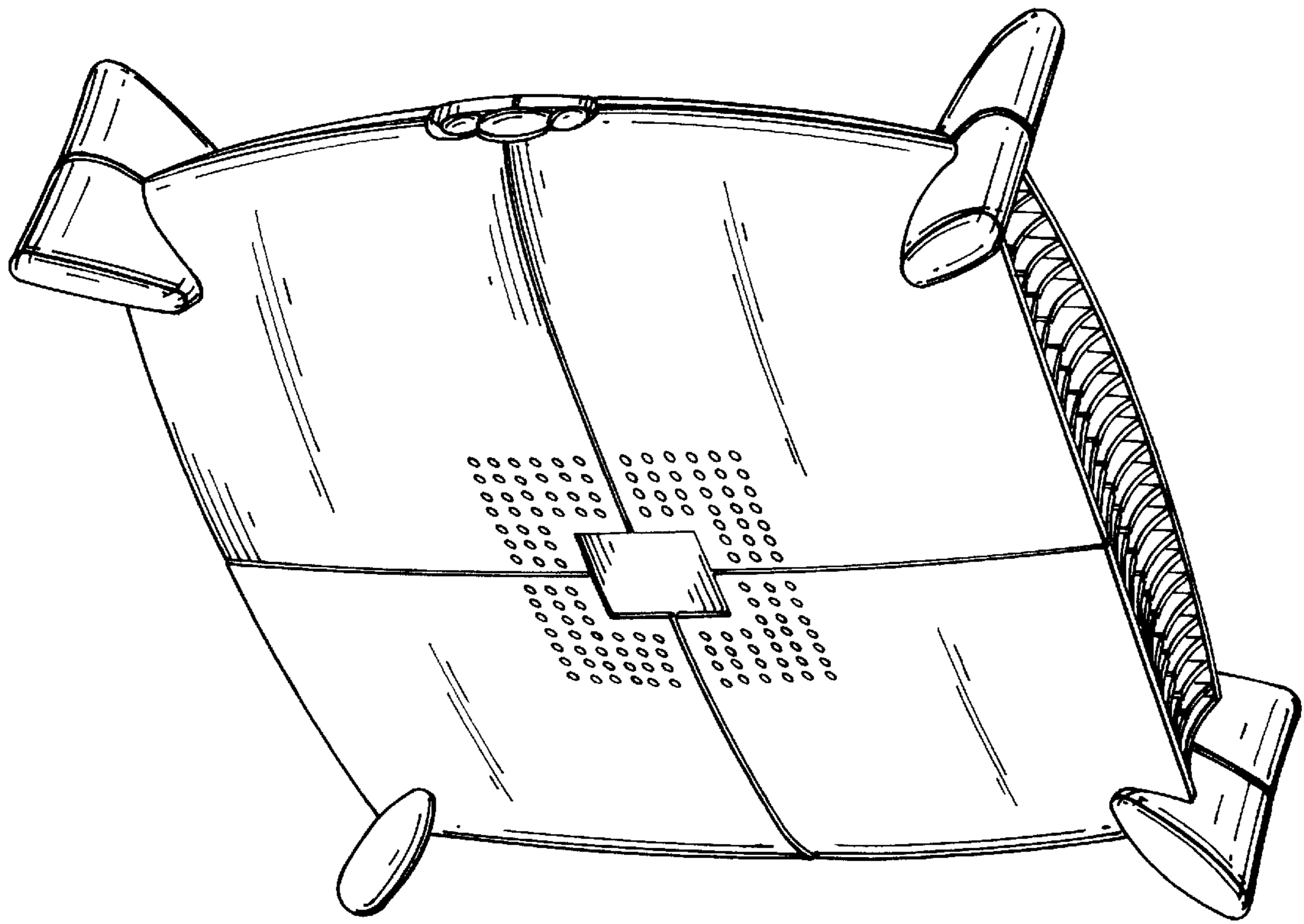


Fig. 8