



US00D413009S

**United States Patent** [19]  
**Yeh**

[11] **Patent Number: Des. 413,009**

[45] **Date of Patent: \*\* Aug. 24, 1999**

[54] **AIR CLEANING HAT**

[76] **Inventor: Kuo-Chung Yeh**, No. 149, Sec. 3, Lung Kang Road, Chung-Li City, Taiwan

[\*\*] **Term: 14 Years**

[21] **Appl. No.: 29/089,808**

[22] **Filed: Jun. 22, 1998**

[51] **LOC (6) Cl. .... 02-03**

[52] **U.S. Cl. .... D2/876; D2/866**

[58] **Field of Search** ..... D2/865, 866, 871, D2/872, 873, 876, 879, 882, 893; 2/171, 181, 195.1, 171.1, 184.5, 10, 12

[56] **References Cited**

**U.S. PATENT DOCUMENTS**

- Re. 33,286 8/1990 Waters ..... 2/171.3
- D. 237,758 11/1975 Huffman ..... D2/876
- D. 297,584 9/1988 Lenox et al. .... D2/866

- D. 396,340 7/1998 She ..... D2/876
- 1,980,101 11/1934 Schneider ..... 2/12
- 4,546,496 10/1985 Lewis ..... 2/171.3
- 5,105,476 4/1992 Cox ..... 2/12

*Primary Examiner*—Paula A. Mortimer  
*Attorney, Agent, or Firm*—Dougherty & Troxell

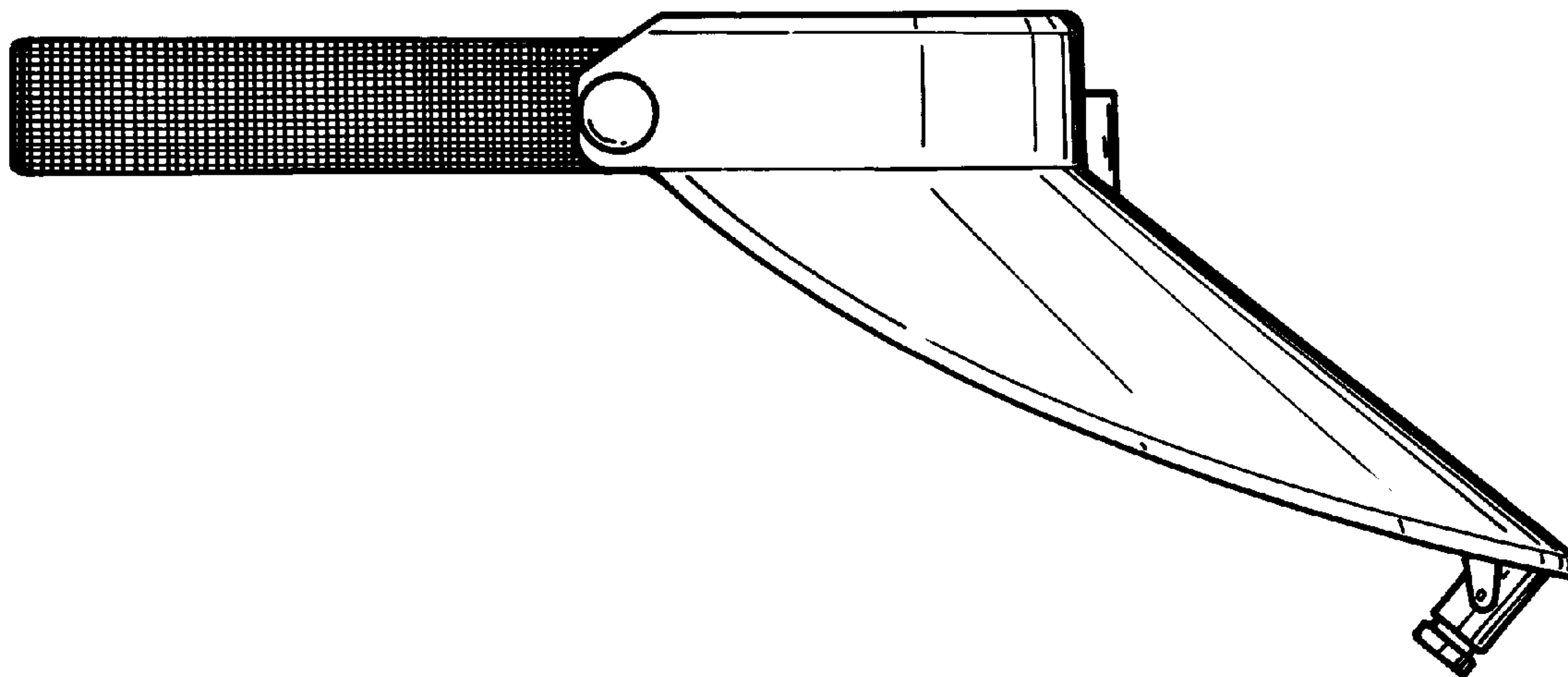
[57] **CLAIM**

The ornamental design for an air cleaning hat, as shown.

**DESCRIPTION**

FIG. 1 is a front perspective view of an air cleaning hat showing my new design;  
FIG. 2 is a front elevational view thereof;  
FIG. 3 is a rear elevational view thereof;  
FIG. 4 is a left side elevational view thereof;  
FIG. 5 is a right side elevational view thereof;  
FIG. 6 is a top plan view thereof; and,  
FIG. 7 is a bottom plan view thereof.

**1 Claim, 5 Drawing Sheets**



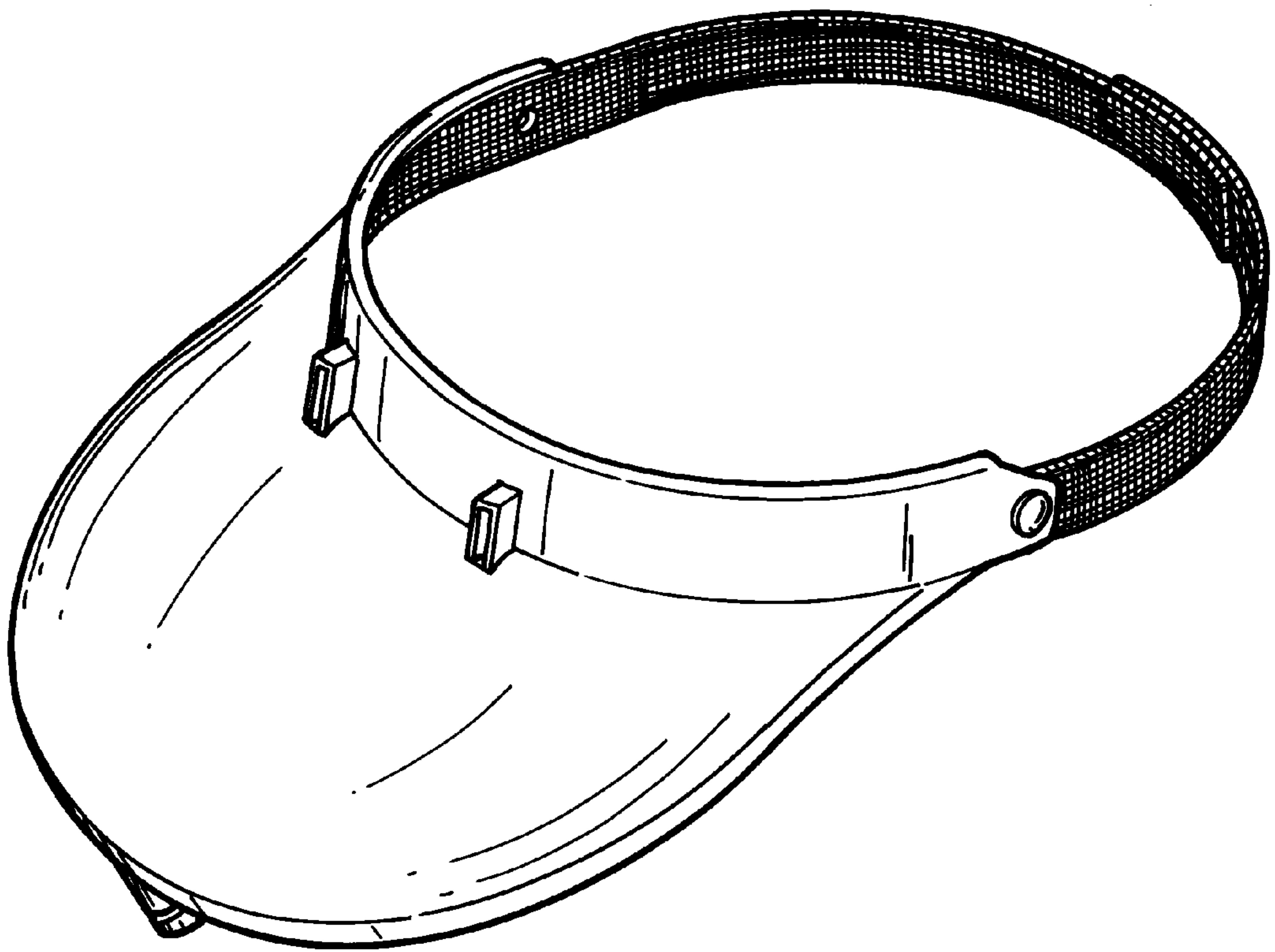


FIG. 1

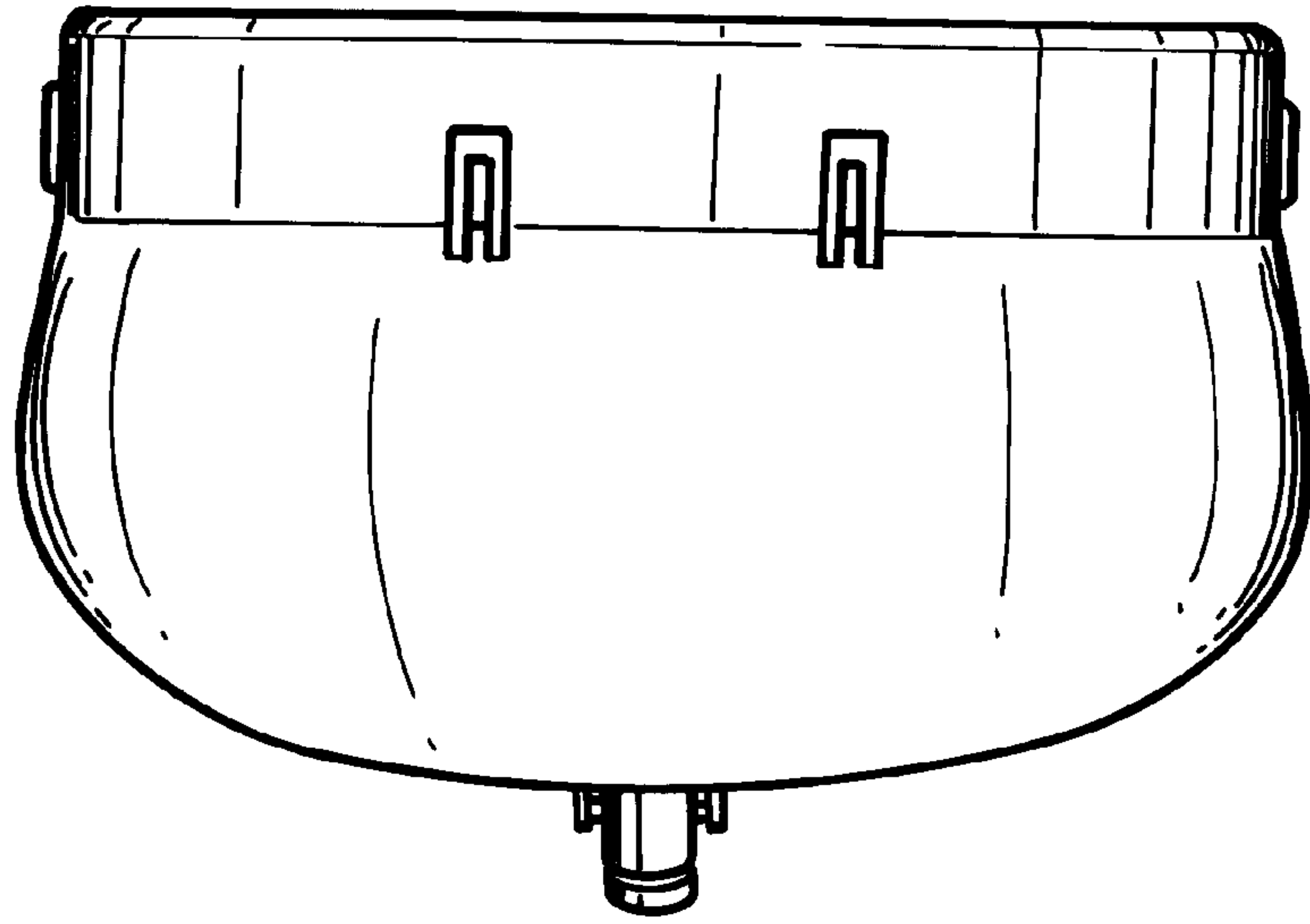


FIG. 2

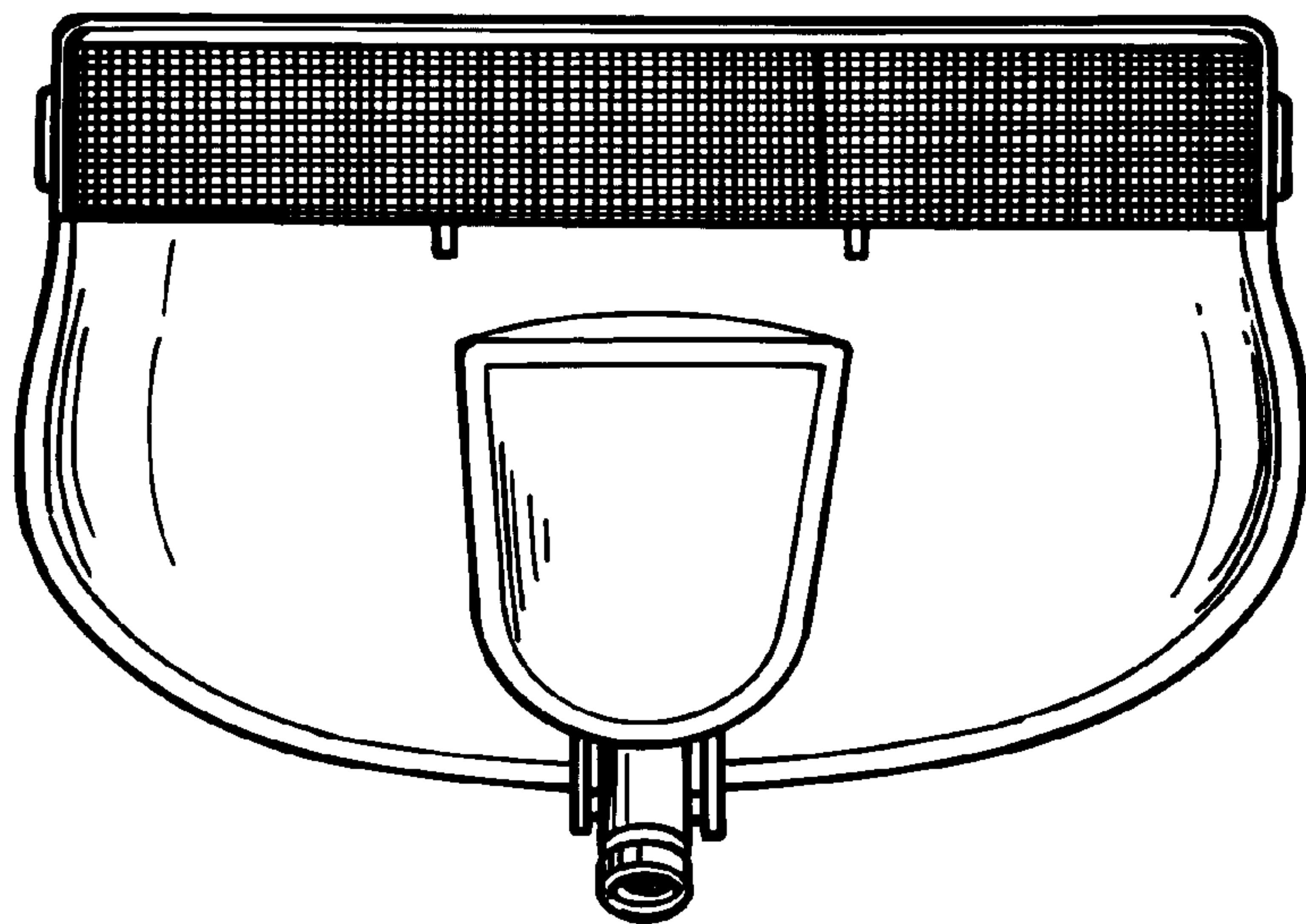


FIG. 3

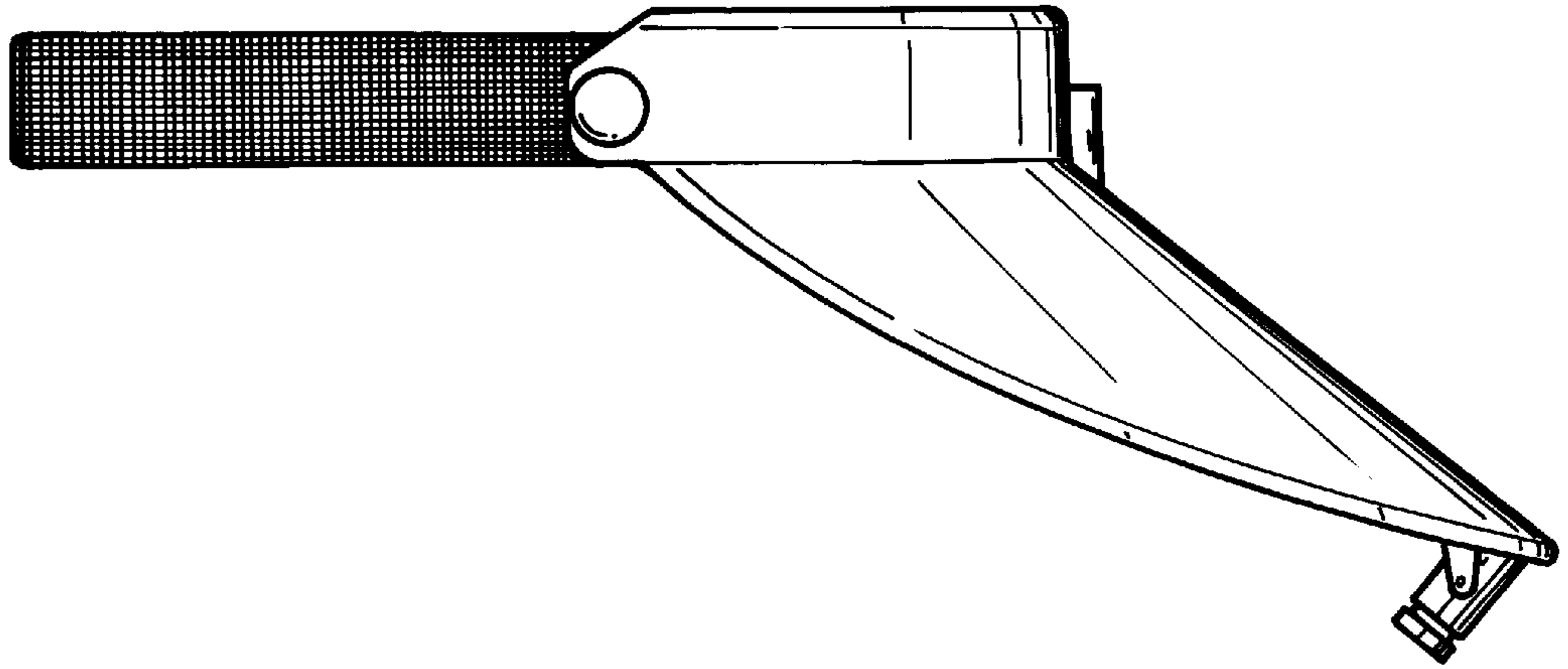


FIG. 4

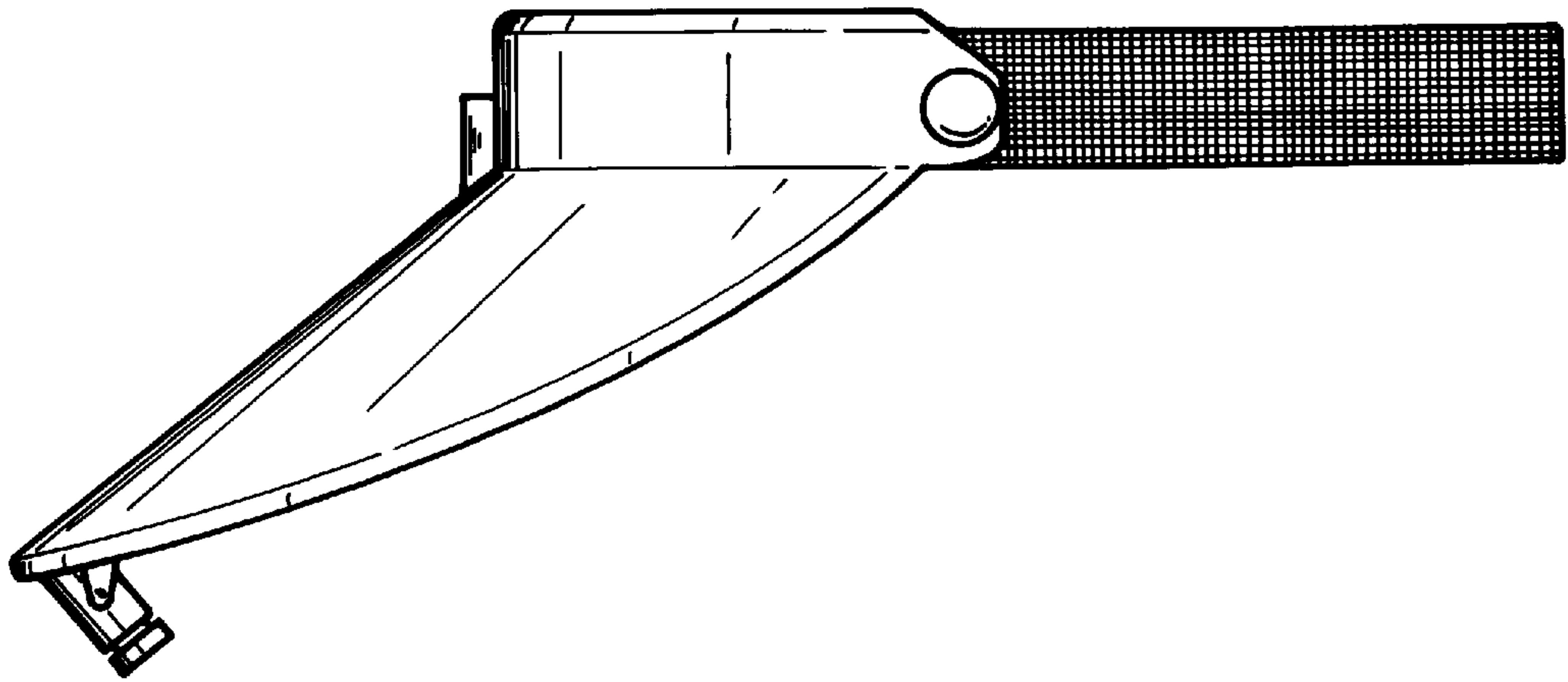


FIG. 5

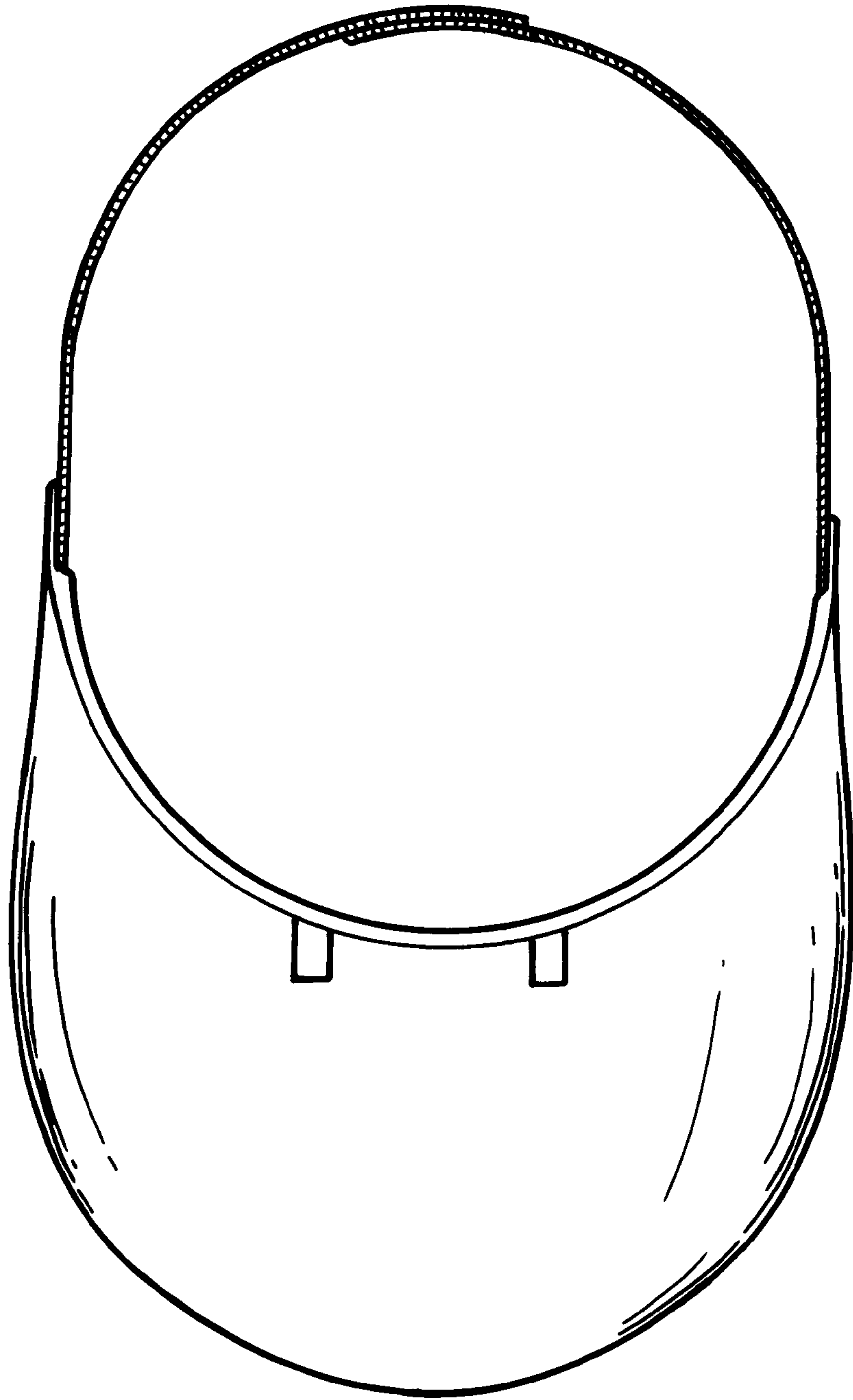


FIG. 6

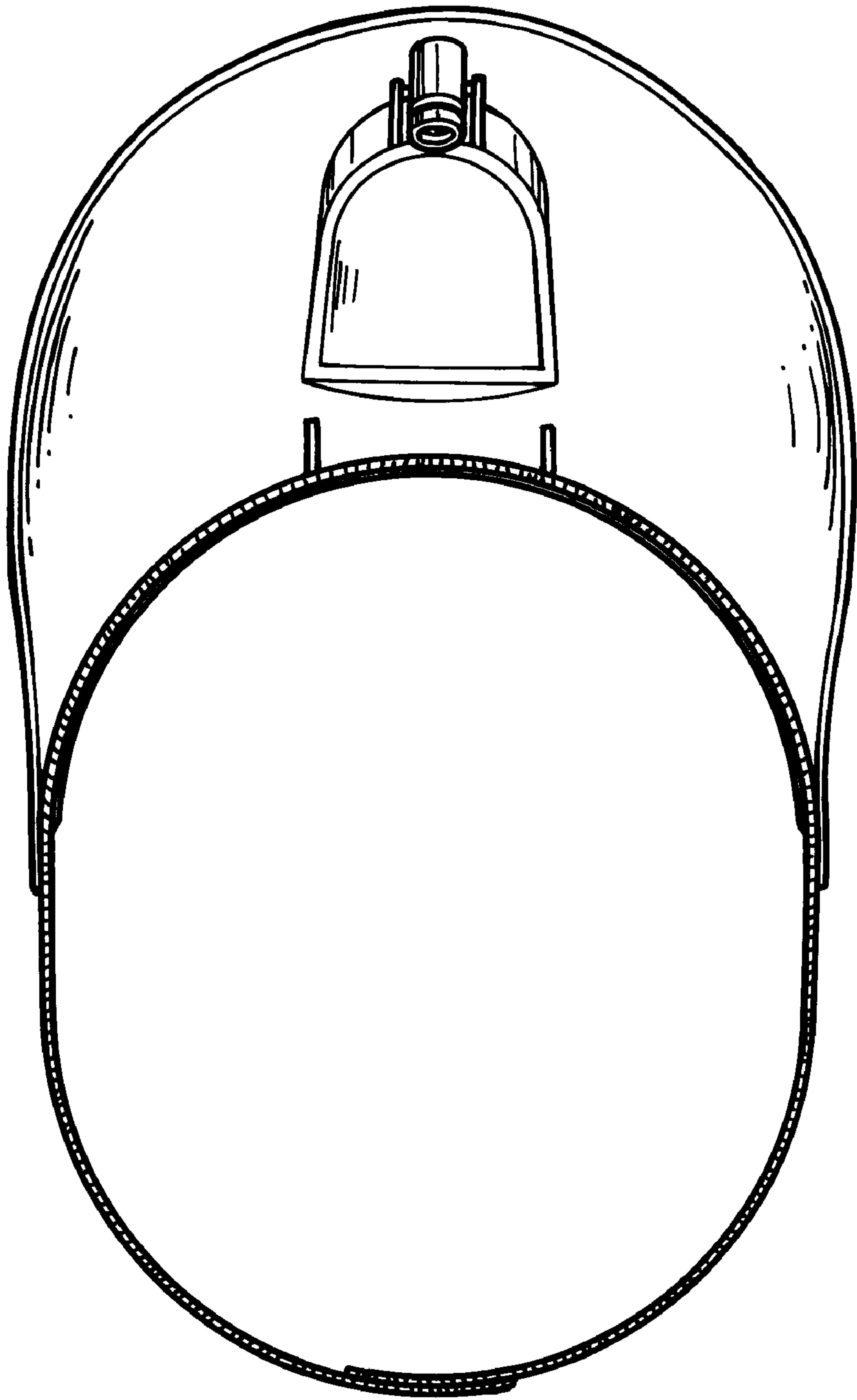


FIG. 7