



US00D413004S

United States Patent [19]

[11] **Patent Number: Des. 413,004**

Decarlo-Williams

[45] **Date of Patent: ** Aug. 17, 1999**

[54] **PORTABLE PET CARRIER**
[76] Inventor: **Louise Decarlo-Williams**, 16161 Clear Valley Pl., Encino, Calif. 91436
[**] Term: **14 Years**

3,487,814 1/1970 Ingebritsen 119/497
4,130,088 12/1978 Salvia 119/496
4,220,119 9/1980 Albright 119/497
5,307,758 5/1994 Ho 119/497
5,335,618 8/1994 Zarola 119/498
5,615,640 4/1997 Luiz 119/482

[21] Appl. No.: **29/087,485**
[22] Filed: **May 4, 1998**

Primary Examiner—Cathy Anne MacCormac
Attorney, Agent, or Firm—Goldstein & Canino

[51] **LOC (6) Cl.** **30-02**
[52] **U.S. Cl.** **D30/109**
[58] **Field of Search** D30/108–109,
D30/112–117, 144; 119/496–499, 482,
500–501, 448, 452–453; D3/213–217, 242,
276, 294; 217/62; 220/754, 772; 312/307

[57] CLAIM

The ornamental design for a portable pet carrier, as shown and described.

[56] References Cited

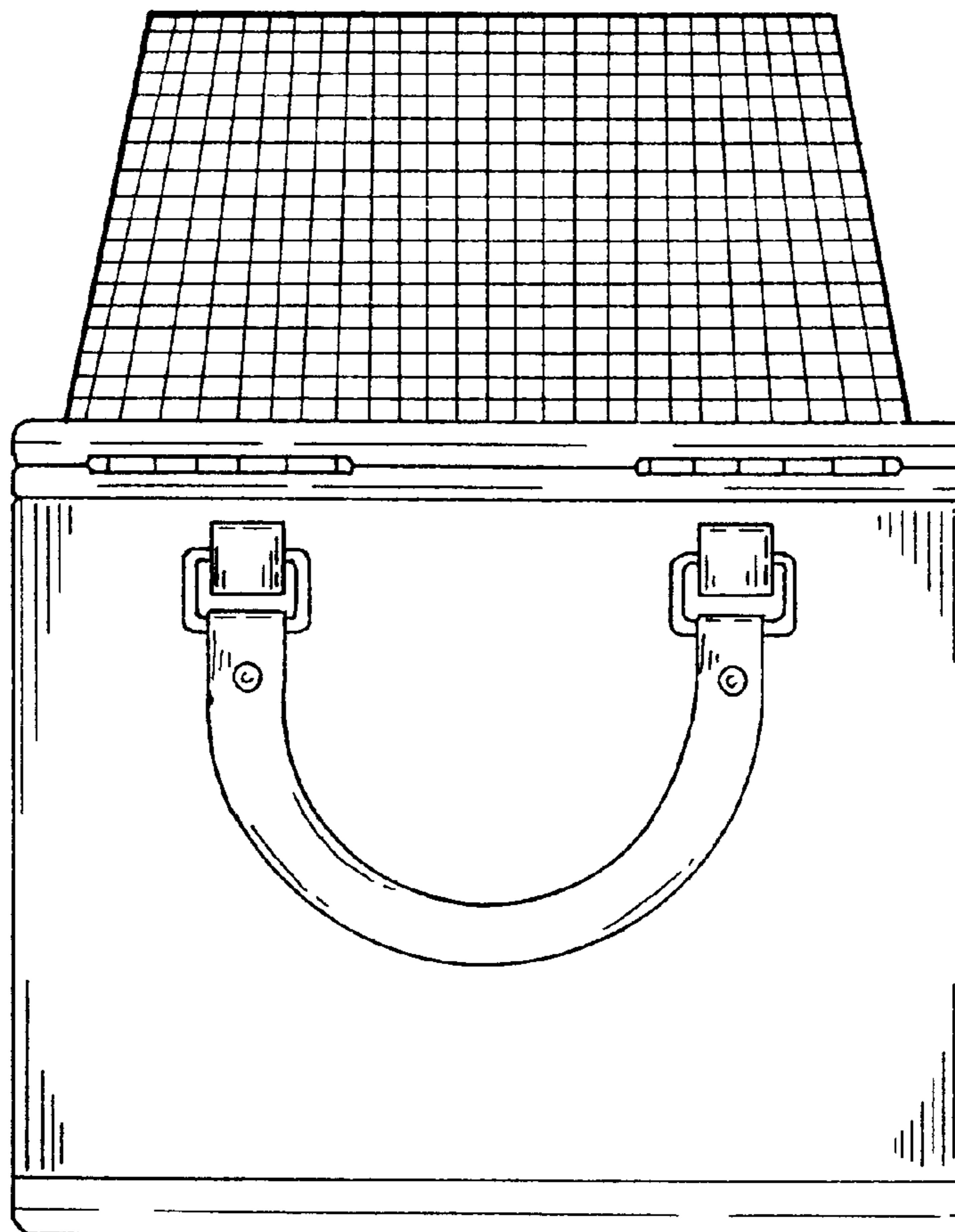
U.S. PATENT DOCUMENTS

D. 239,785 5/1976 Chernoff D3/242
D. 256,957 9/1980 Justl D30/116
D. 294,985 3/1988 Blieden D30/109
D. 295,276 4/1988 Brown et al. D30/109
D. 298,870 12/1988 Heisler D30/109
D. 333,537 2/1993 Muse, Jr. D30/114
511,272 12/1893 Hughes 119/452
1,041,167 10/1912 Rogers 119/482

DESCRIPTION

FIG. 1 is a perspective view of a portable pet carrier showing my new design;
FIG. 2 is a perspective view thereof, in an alternate position, the broken lines are for illustrative purposes only and form no part of the claimed design;
FIG. 3 is a front elevational view of FIG. 1;
FIG. 4 is a rear elevational view of FIG. 1;
FIG. 5 is a top plan view of FIG. 1;
FIG. 6 is a bottom plan view of FIG. 1; and,
FIG. 7 is a right side elevational view of FIG. 1, the left side being a mirror image of the right side shown.

1 Claim, 4 Drawing Sheets



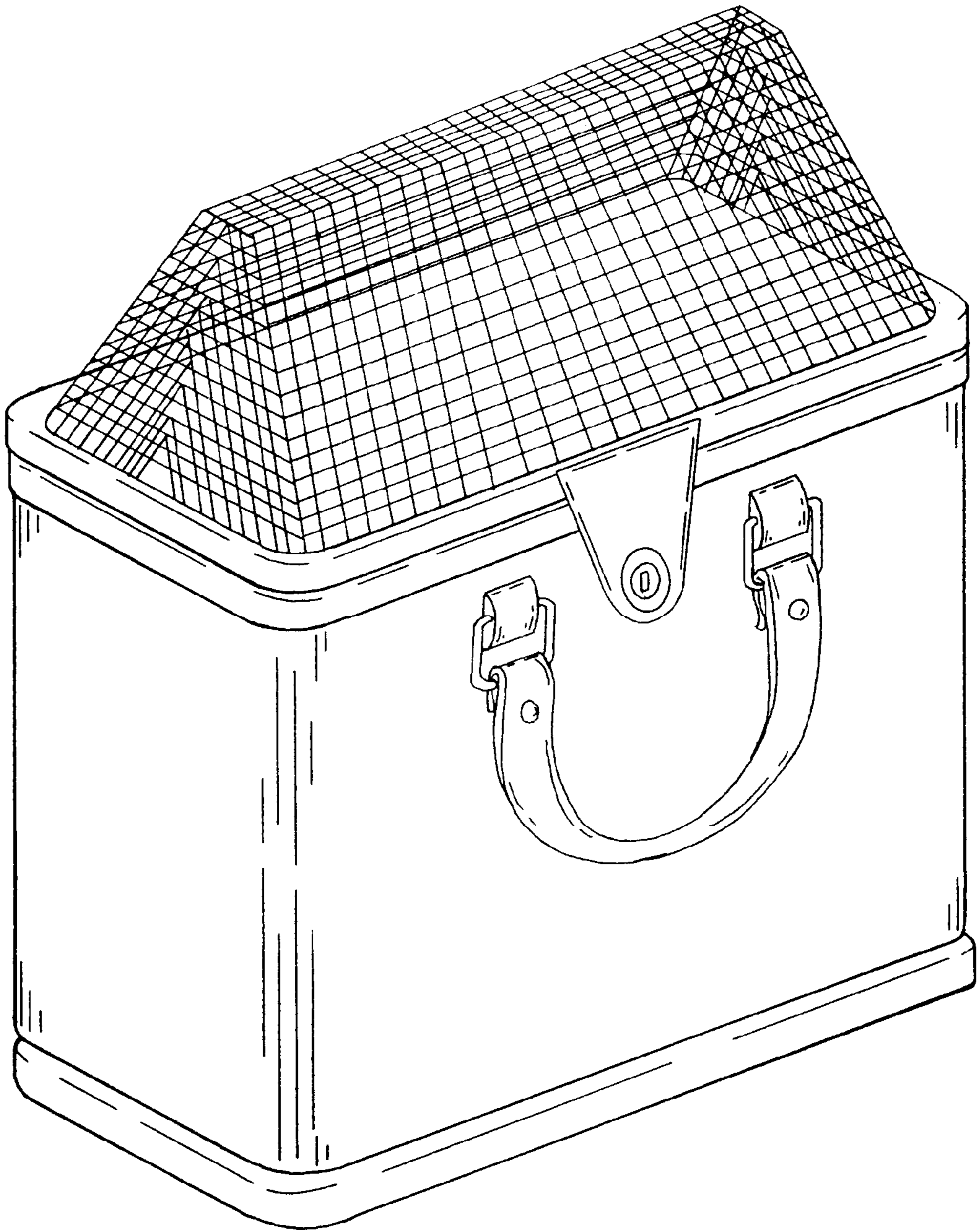


FIG. 1

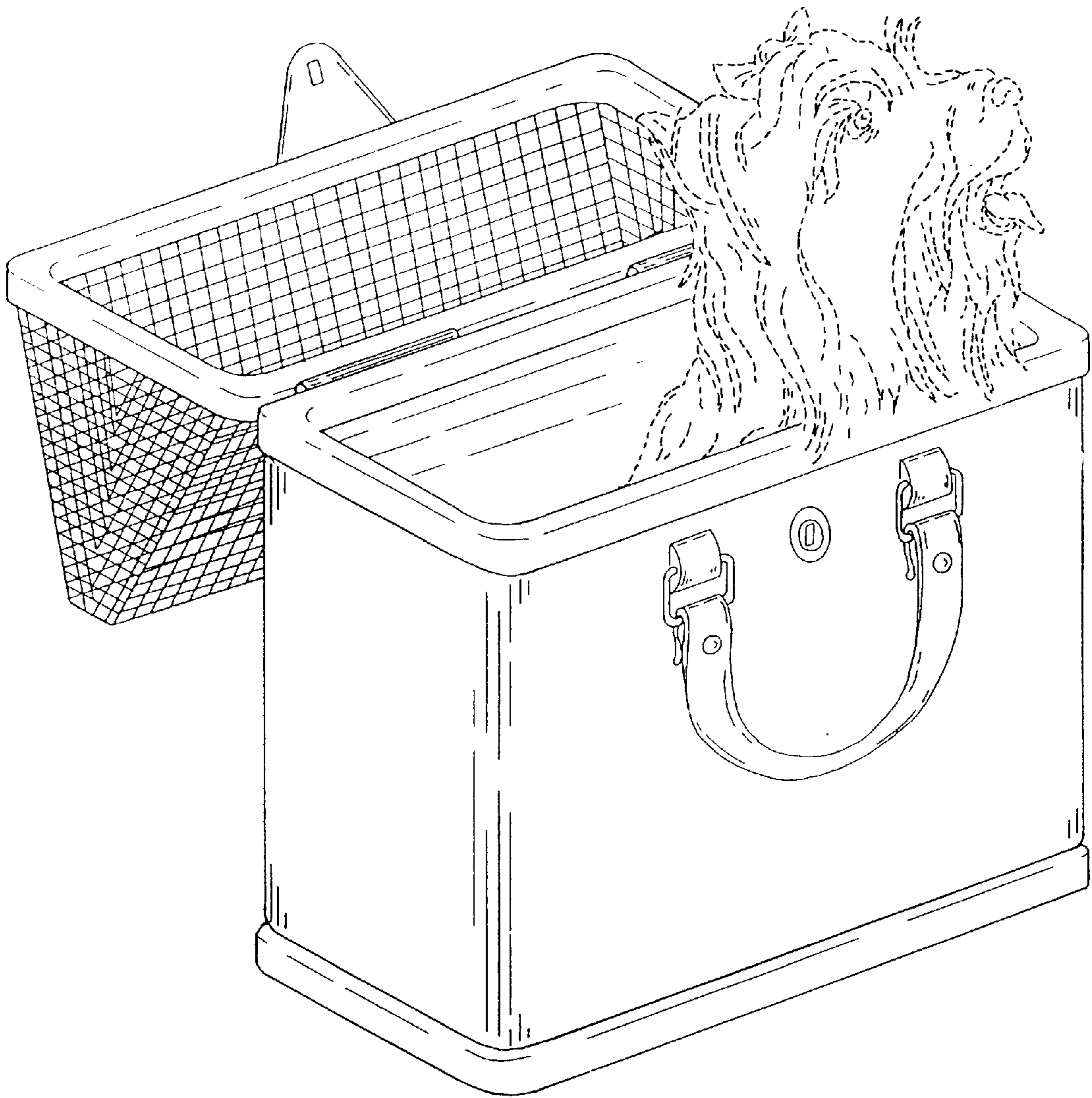


FIG.2

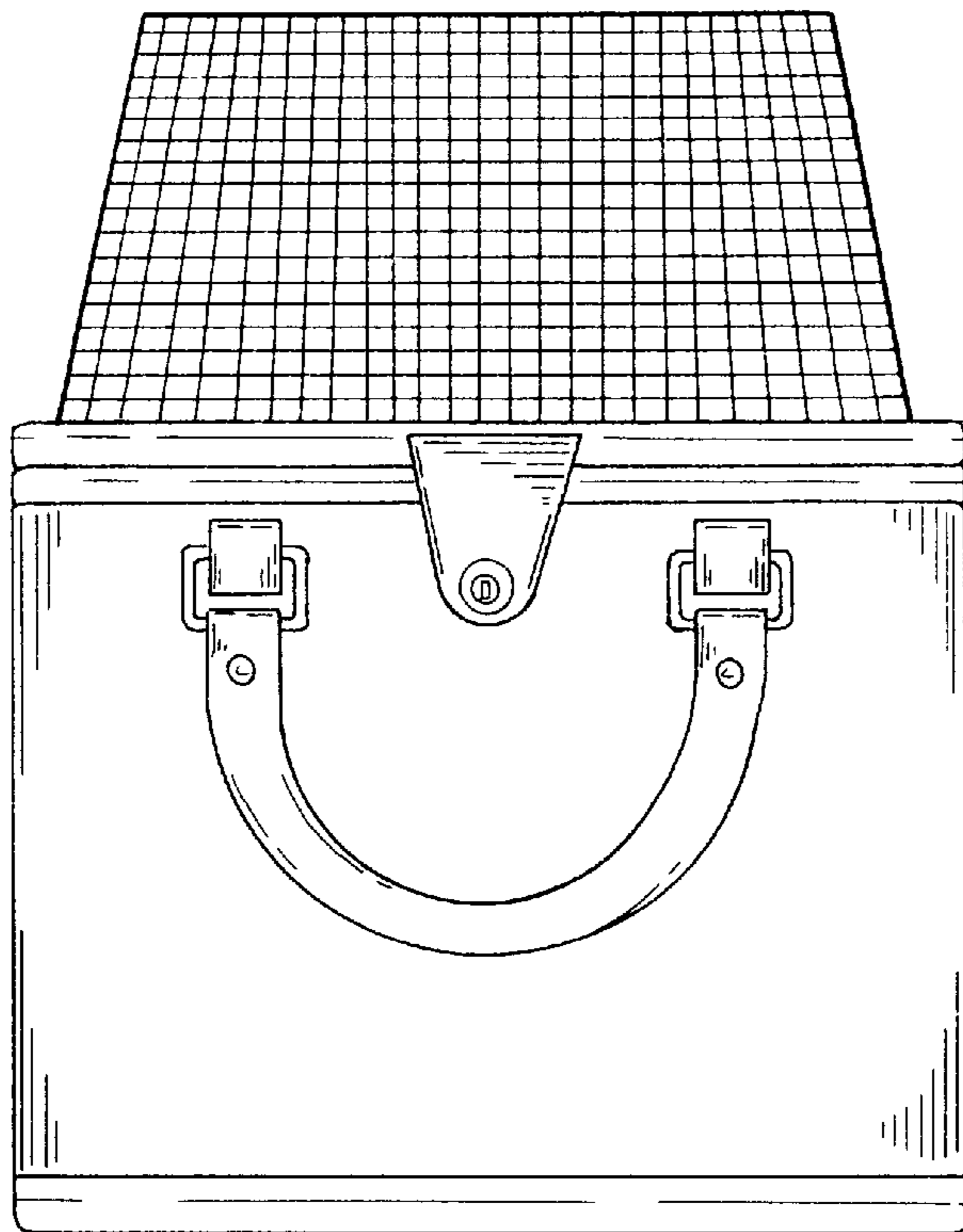


FIG. 3

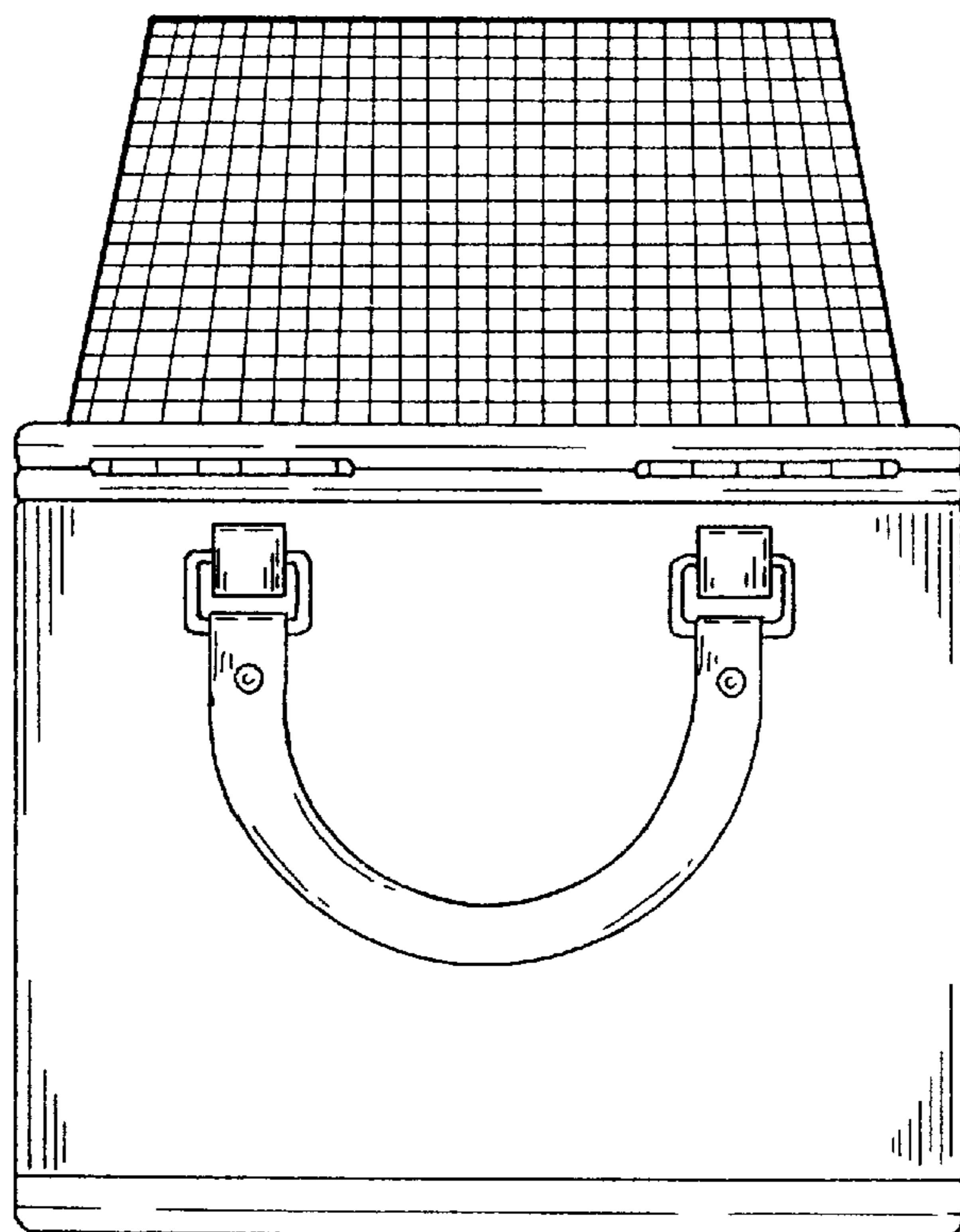


FIG. 4

FIG.5

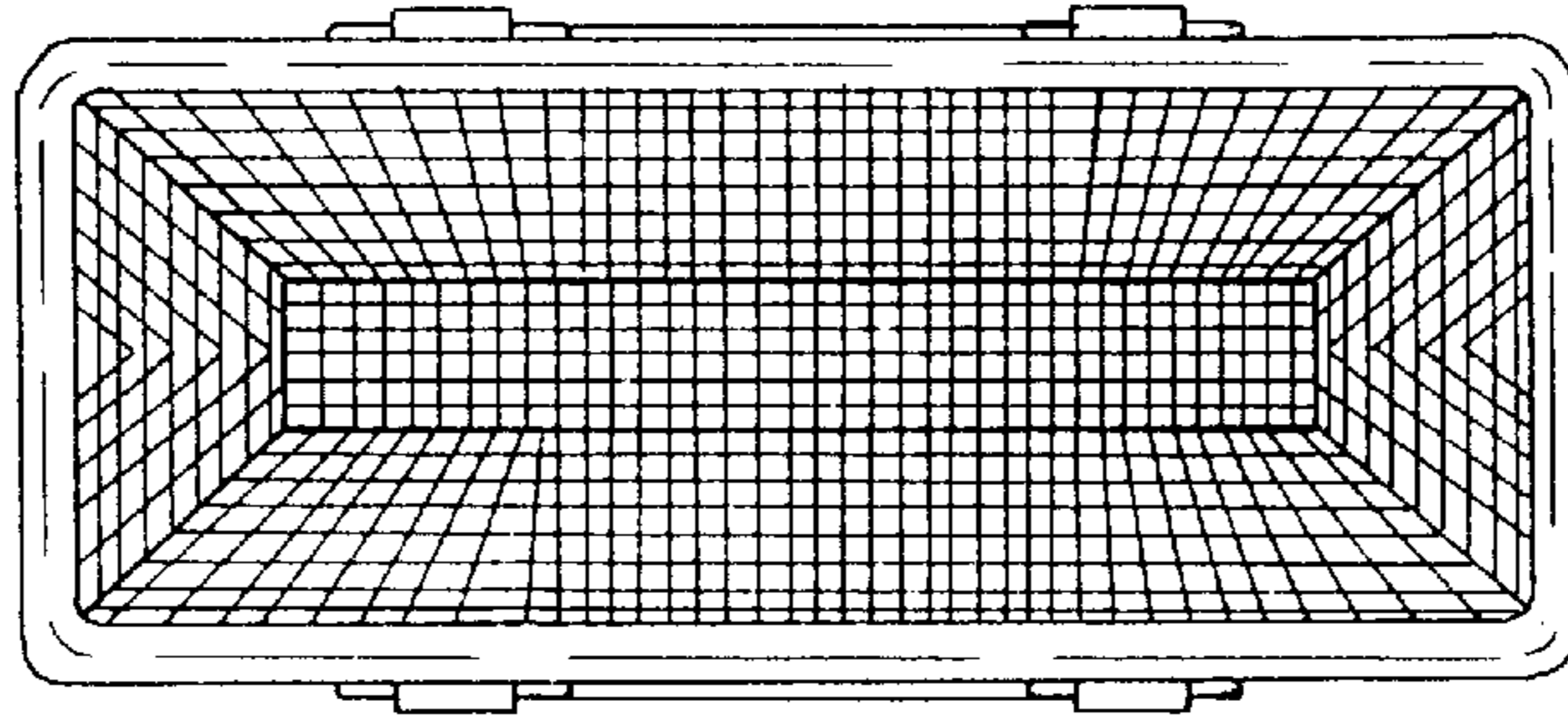


FIG.6

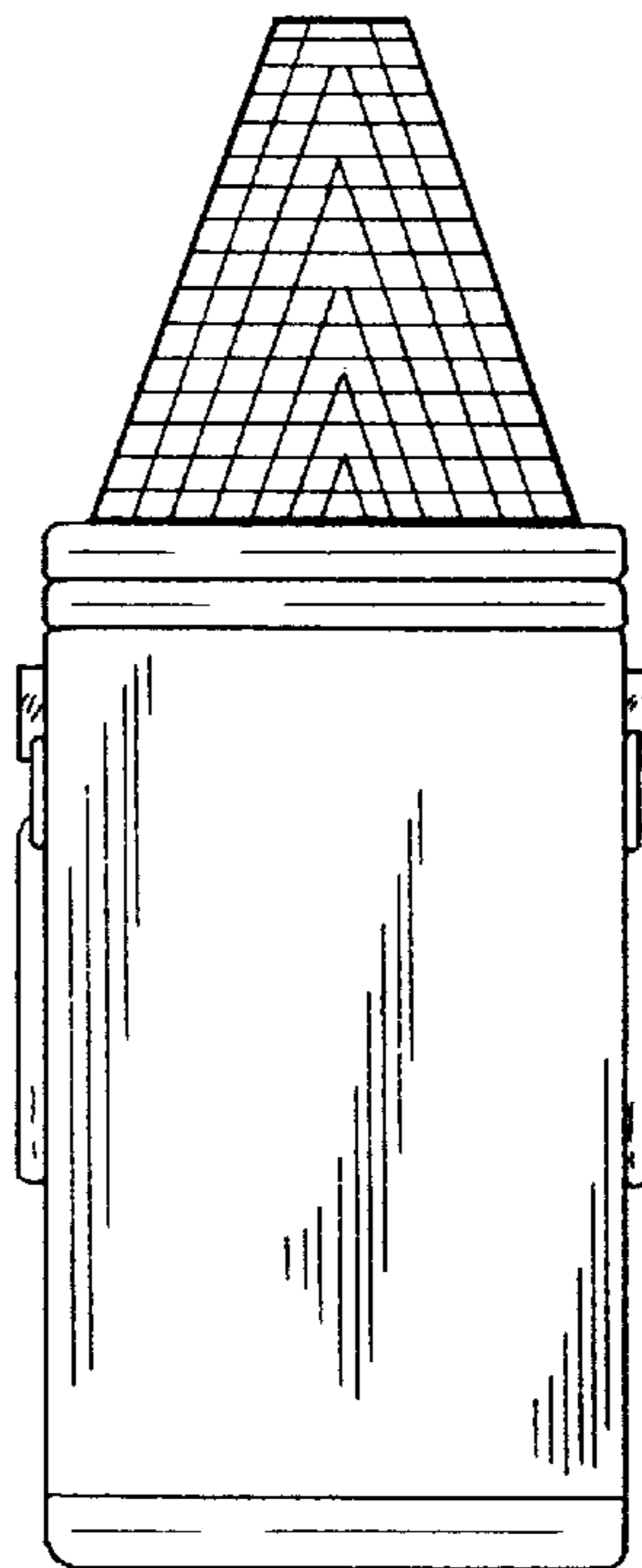
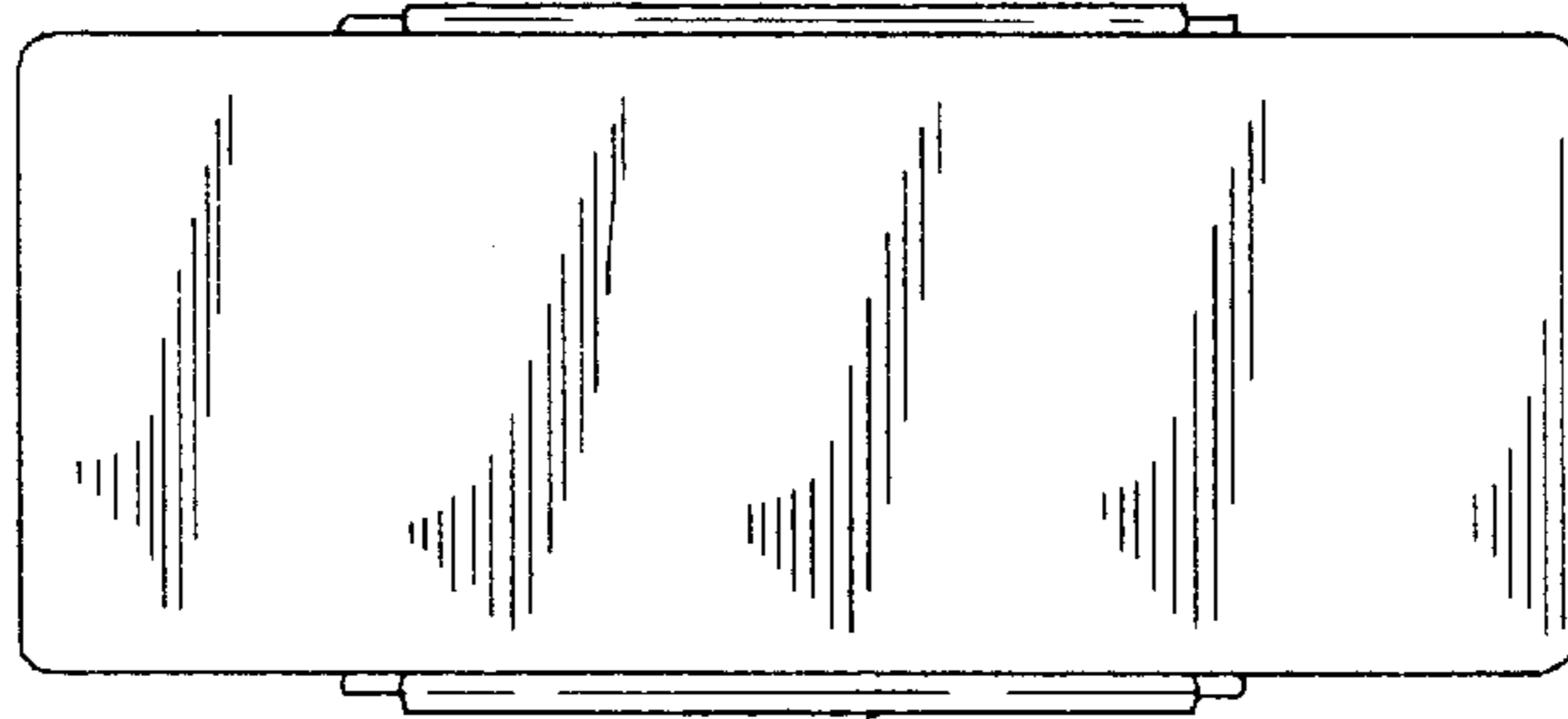


FIG.7