



US00D413000S

United States Patent [19] Littman

[11] **Patent Number: Des. 413,000**

[45] **Date of Patent: ** Aug. 17, 1999**

[54] **LIGHTING FIXTURE**

D. 384,433 9/1997 Littman D26/85

[75] Inventor: **Sandra E. Littman**, New York, N.Y.

OTHER PUBLICATIONS

[73] Assignee: **Sandy Littman, Inc.**, New York, N.Y.

Manning lighting catalog, Primo collection, p. 23, wall lamp Model DS-62-23A-PL, Feb. 1992.

[**] Term: **14 Years**

Manning lighting catalog, p. 7, wall lamp #DS-127A-PL-W, 1993.

[21] Appl. No.: **29/095,040**

Primary Examiner—Susan J. Lucas

[22] Filed: **Oct. 15, 1998**

Attorney, Agent, or Firm—Schweitzer Cornman Gross & Bondell LLP

Related U.S. Application Data

[57] **CLAIM**

[62] Division of application No. 29/072,051, Jun. 12, 1997, Pat. No. Des. 404,163, which is a division of application No. 29/048,307, Dec. 26, 1995, Pat. No. Des. 384,433.

I claim the ornamental design for a lighting fixture, as shown and described.

[51] **LOC (6) Cl.** **26-05**

DESCRIPTION

[52] **U.S. Cl.** **D26/85**

FIG. 1 is a front elevational view embodying my new design for a lighting fixture;

[58] **Field of Search** D26/72, 75, 76, D26/77, 78, 81, 87; 362/147, 404, 406, 217, 222, 223, 224, 225, 249, 252, 245, 246, 297

FIG. 2 is a side elevational view thereof, the opposite side being identical;

FIG. 3 is a top plan view thereof;

FIG. 4 is a bottom plan view thereof; and,

FIG. 5 is a rear elevational view.

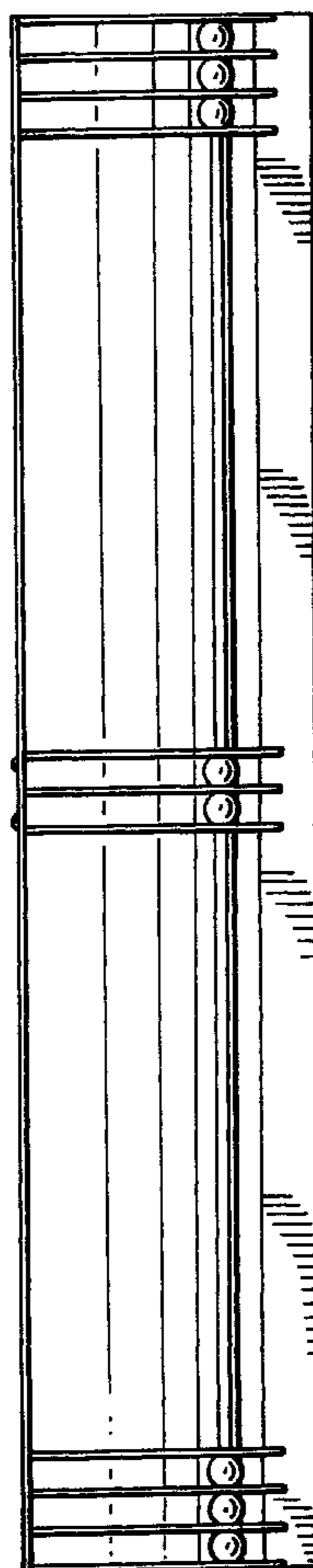
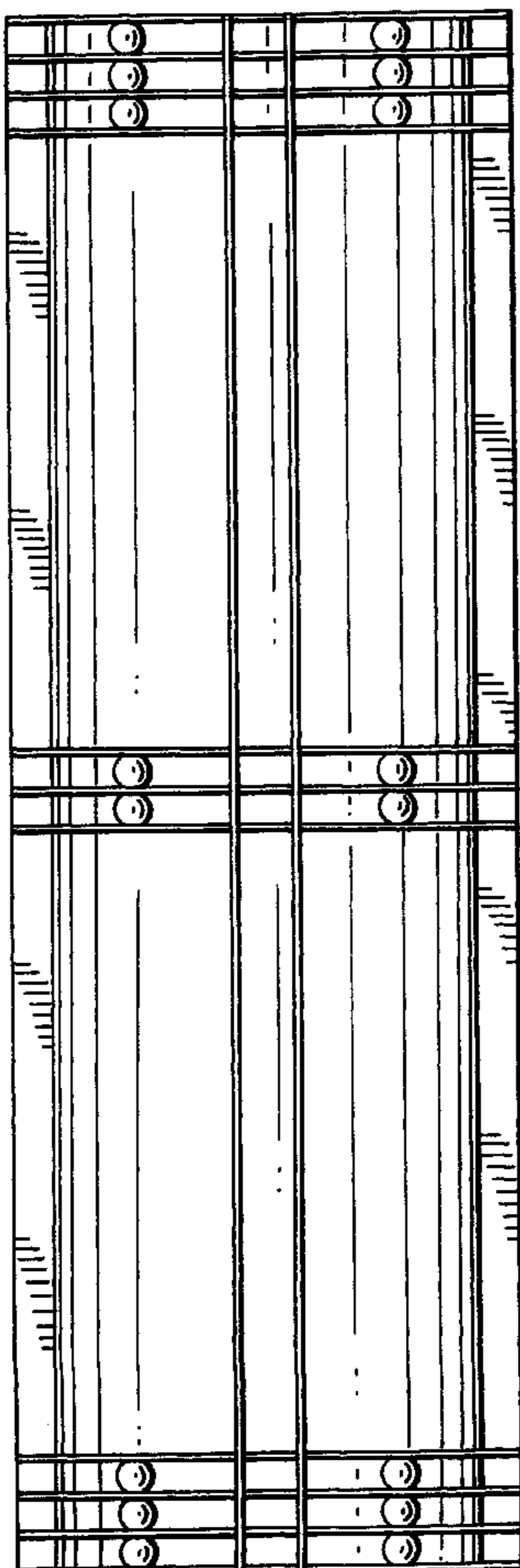
The broken lines are for illustrative purposes only and form no part of the design.

[56] **References Cited**

U.S. PATENT DOCUMENTS

D. 110,165 6/1938 Arenberg D26/76
D. 162,345 3/1951 Roney D26/85 X

1 Claim, 2 Drawing Sheets



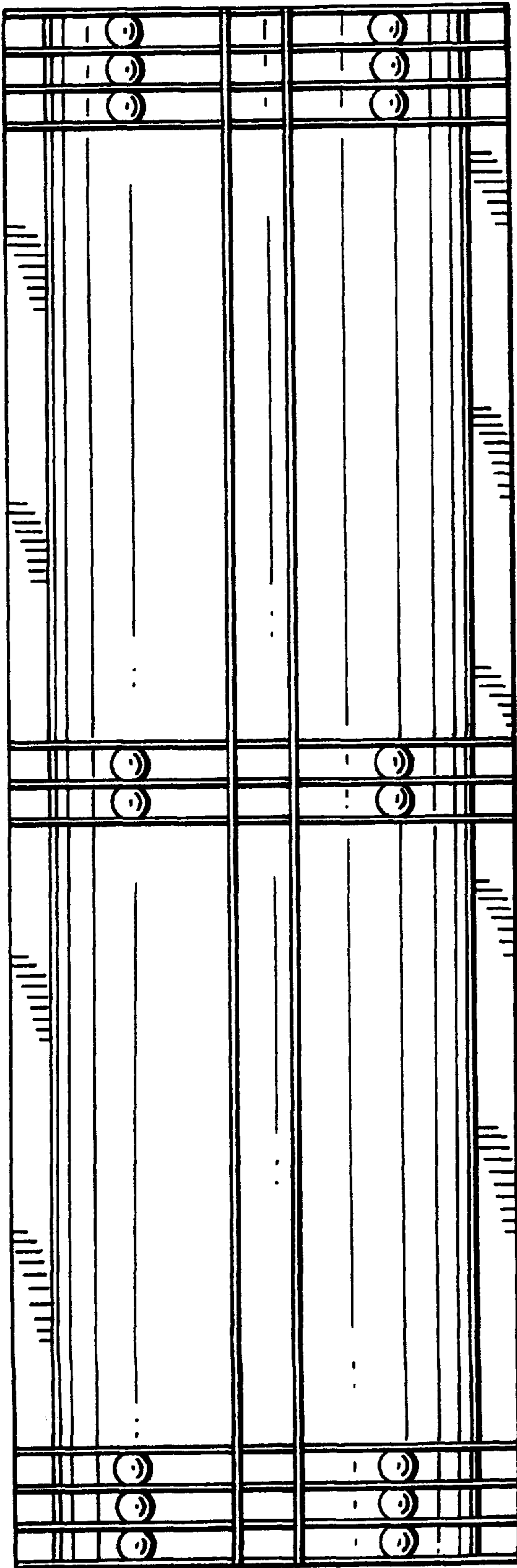


FIG. 1

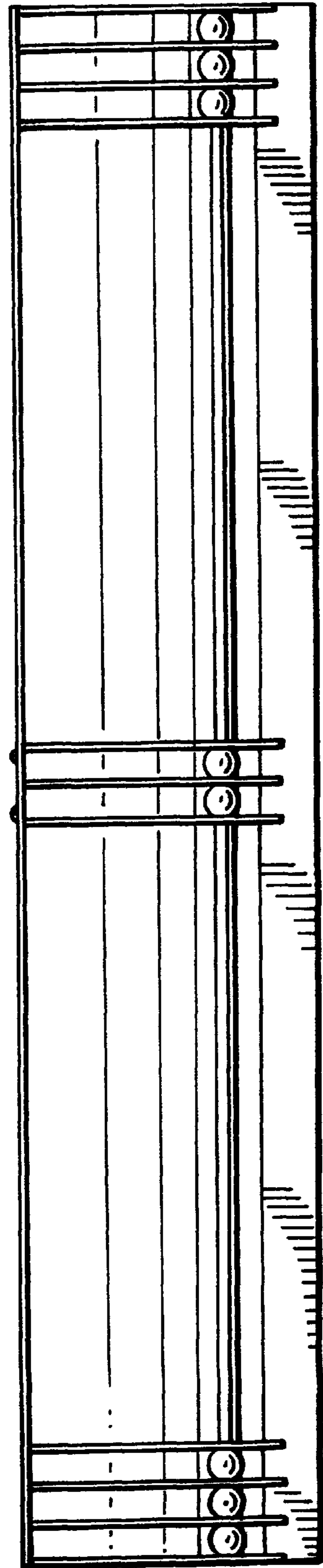


FIG. 2

FIG. 3

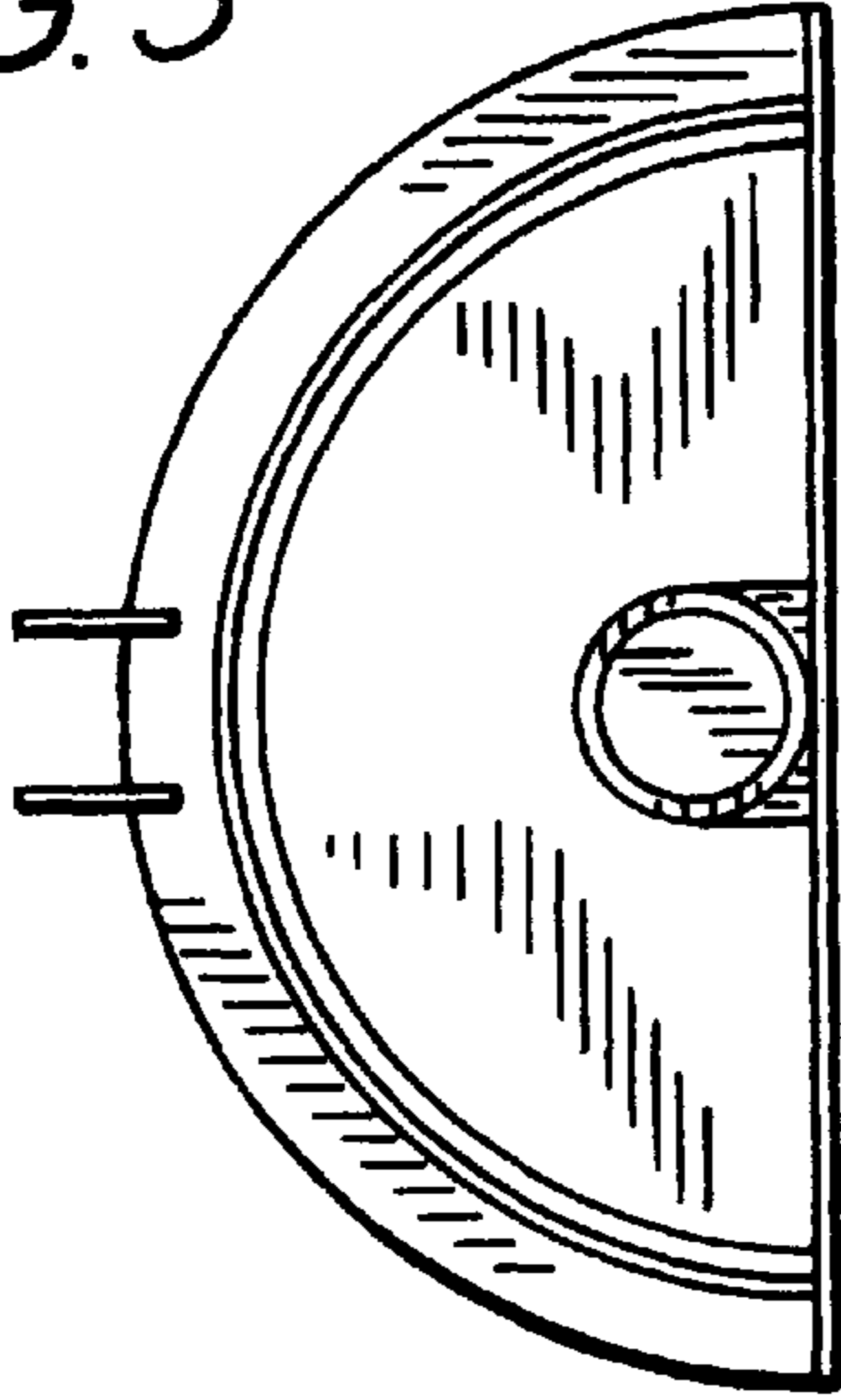


FIG. 4

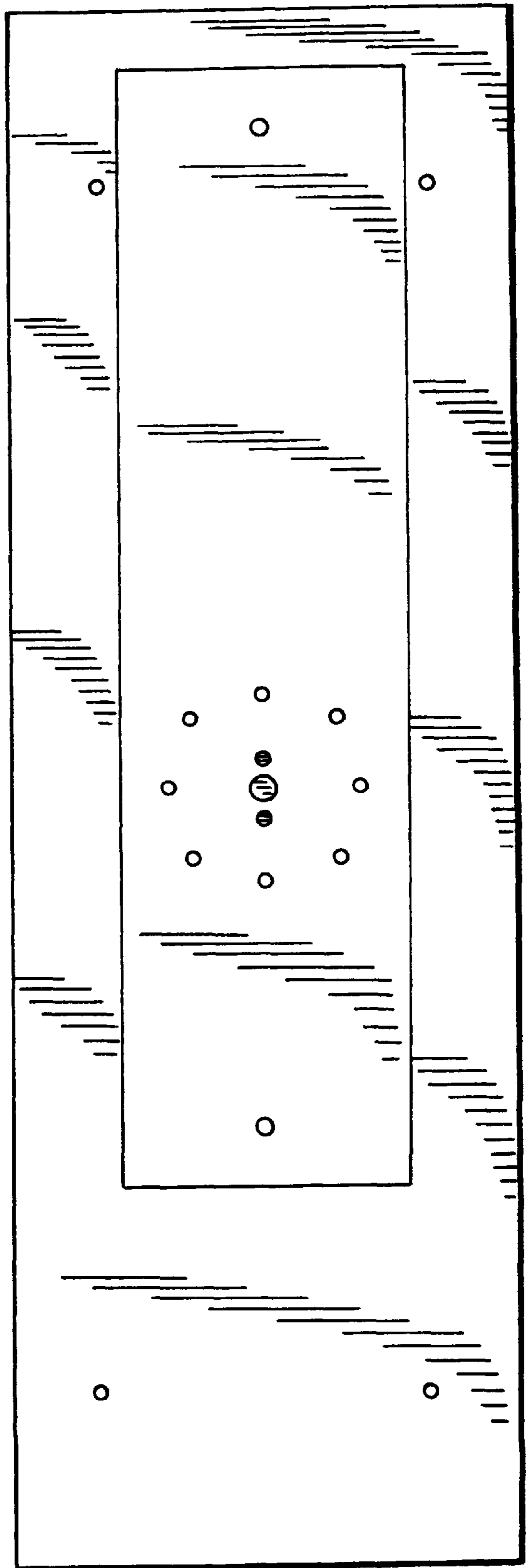
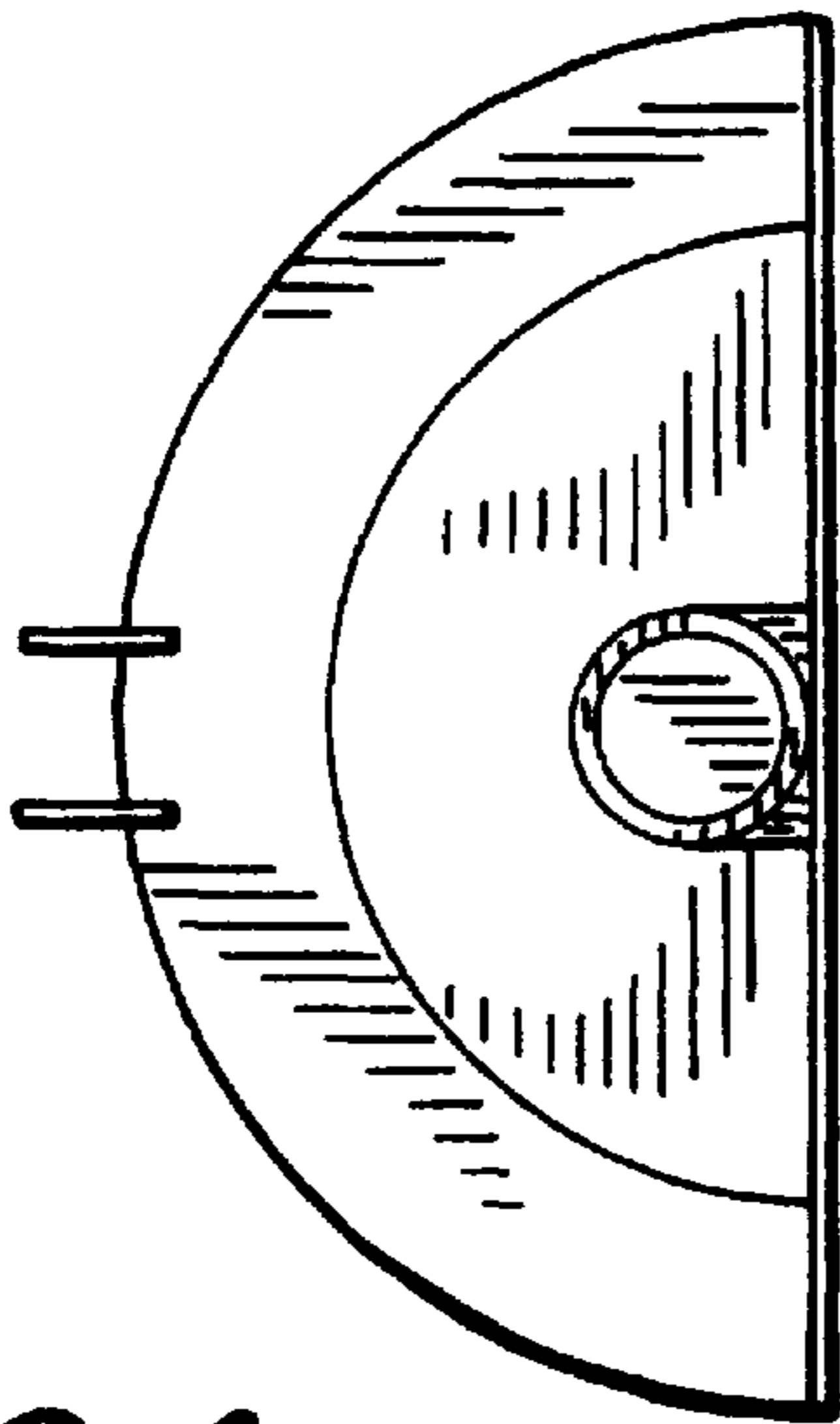


FIG. 5