



US00D412999S

United States Patent [19]

[11] **Patent Number: Des. 412,999**

Herst et al.

[45] **Date of Patent: ** Aug. 17, 1999**

[54] **LIGHTING FIXTURE**

[75] Inventors: **Douglas J. Herst, Ross; Utkan Salman**, Oakland, both of Calif.

[73] Assignee: **Peerless Lighting Corporation**, Berkeley, Calif.

[**] Term: **14 Years**

[21] Appl. No.: **29/082,141**

[22] Filed: **Jan. 15, 1998**

[51] **LOC (6) Cl.** **26-05**

[52] **U.S. Cl.** **D26/76**

[58] **Field of Search** D26/72, 75, 76, D26/77, 78, 81, 87; 362/147, 404, 406, 217, 222, 223, 224, 225, 249, 252, 245, 246, 297

[56] **References Cited**

U.S. PATENT DOCUMENTS

D. 311,967	11/1990	Herst et al.	D26/85
D. 349,358	8/1994	Herst et al.	D26/76 X
D. 363,805	10/1995	Cole, Jr.	D26/76
D. 397,479	8/1998	Compton et al.	D26/76

OTHER PUBLICATIONS

Peerless Catalog, 9 x 3 Rounded Lightscreen Indirect, 1996, (1 page).
Peerless Catalog, 6 x 3 Wall Wash, 1996 (2 pages).

Peerless computer rendition of prior art luminaire design Prior to Filing Date.

Primary Examiner—Susan J. Lucas
Attorney, Agent, or Firm—Donald L. Beeson

[57] **CLAIM**

The ornamental design for a lighting fixture, as shown and described.

DESCRIPTION

FIG. 1 is a bottom perspective view of a lighting fixture in accordance with our new design;

FIG. 2 is a bottom plan view thereof;

FIG. 3 is a front elevational view thereof, the rear and side elevations being identical thereto;

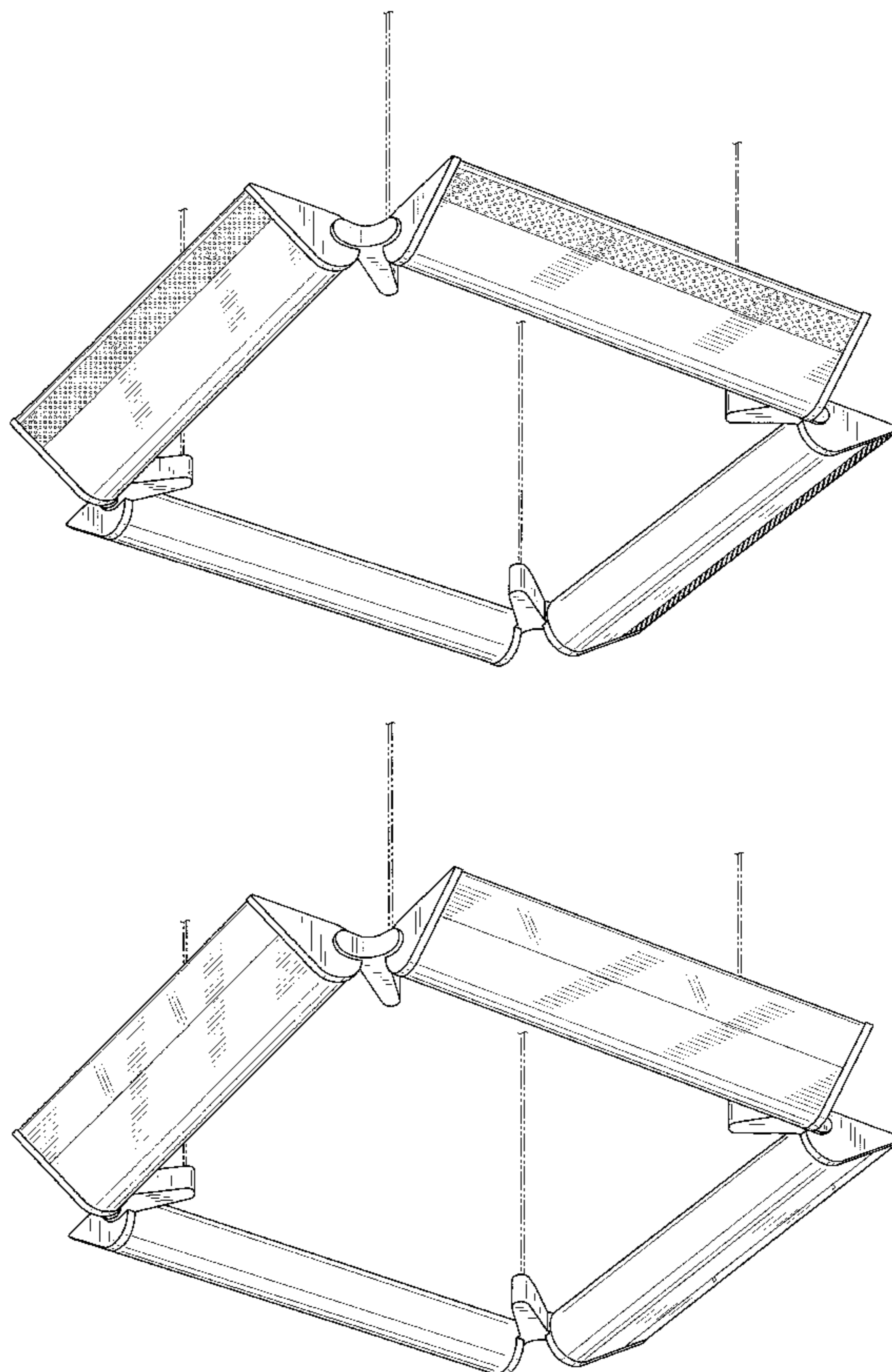
FIG. 4 is a bottom perspective view of another embodiment of a lighting fixture in accordance with our new design;

FIG. 5 is a bottom plan view thereof; and,

FIG. 6 is a front elevational view thereof, the rear and side elevations being identical thereto.

The broken lines are shown in FIGS. 1 and 4 for illustrative purposes only and indicate the nature and use our new design.

1 Claim, 4 Drawing Sheets



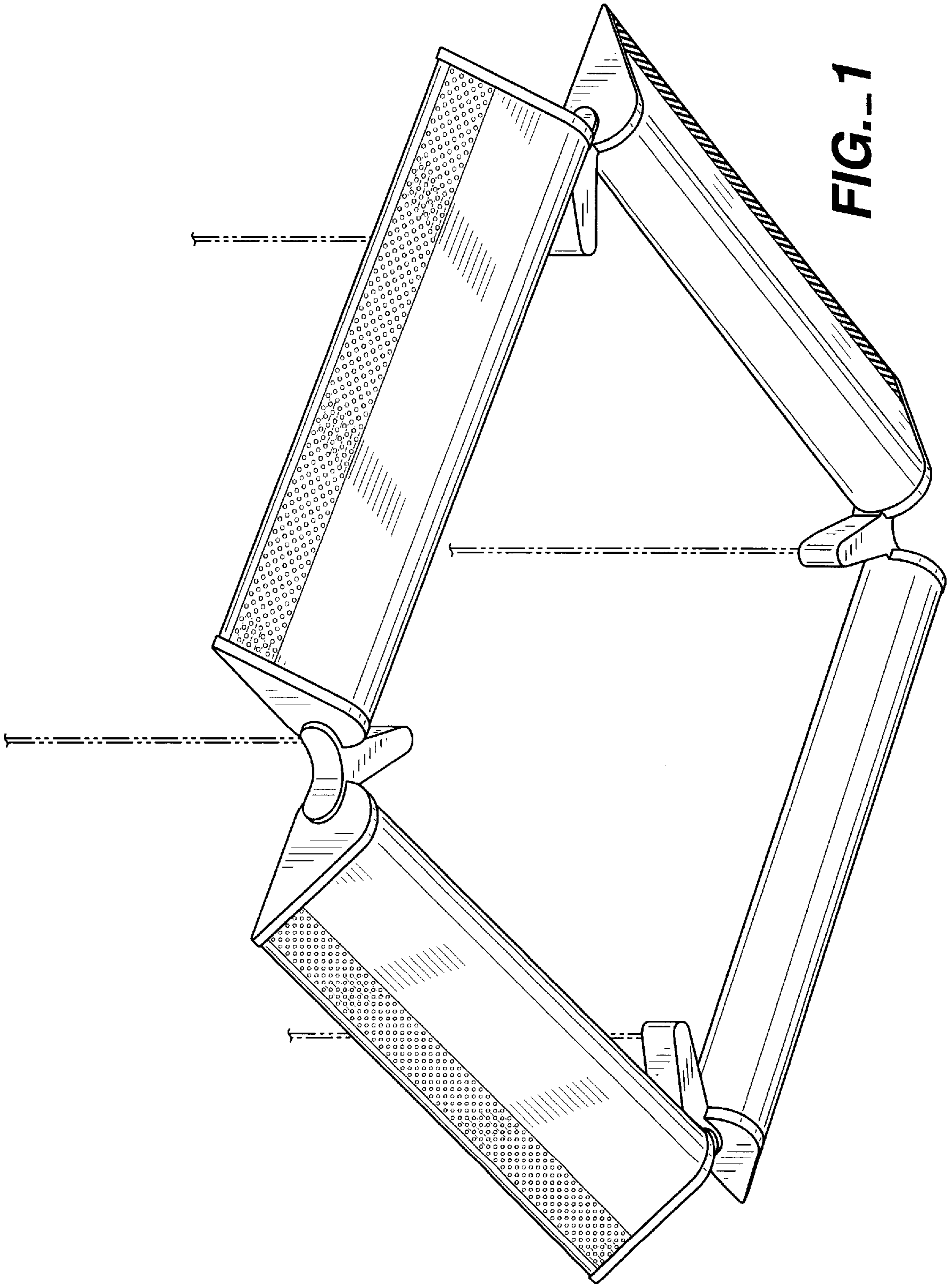


FIG. 1

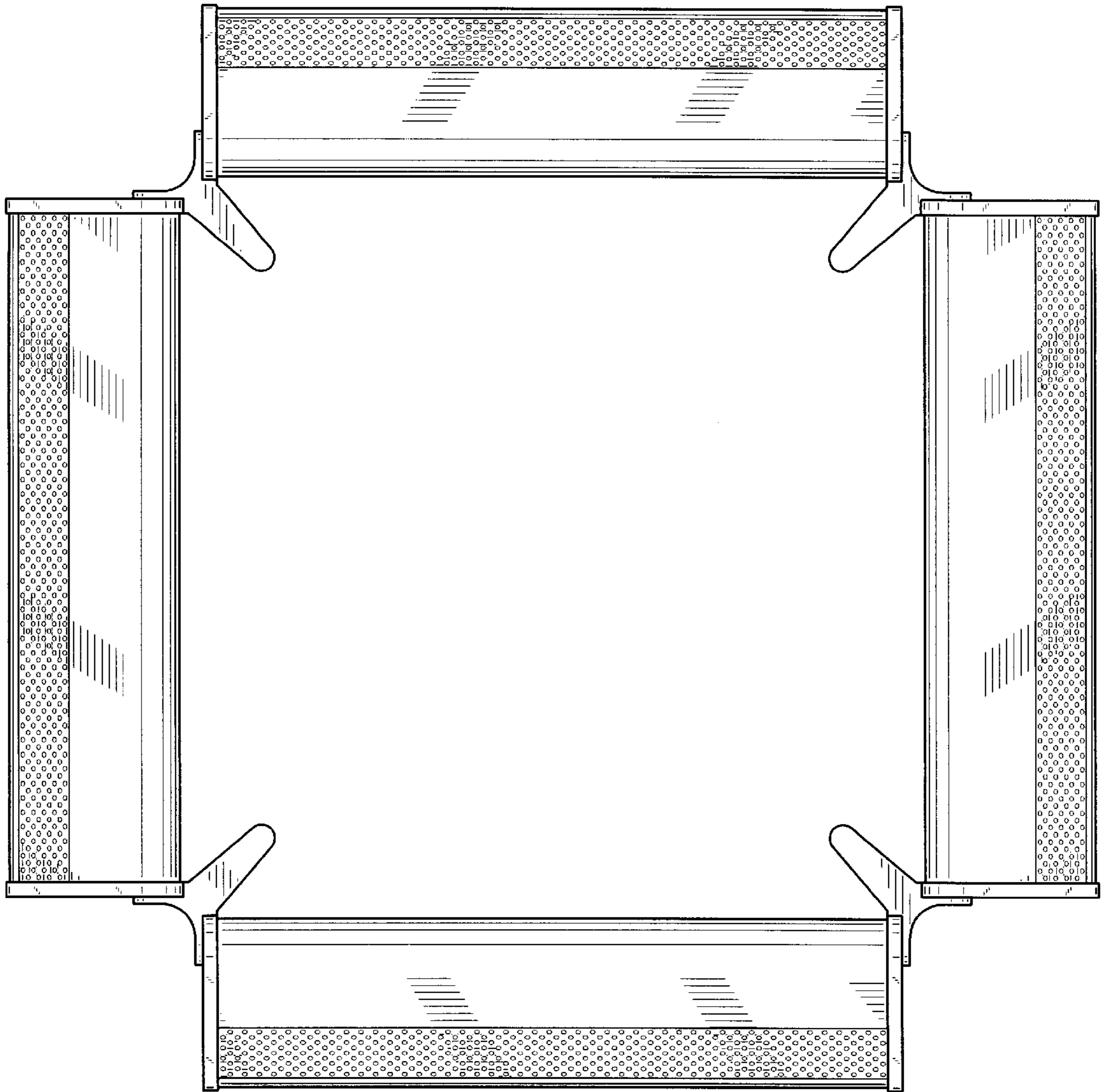


FIG._2

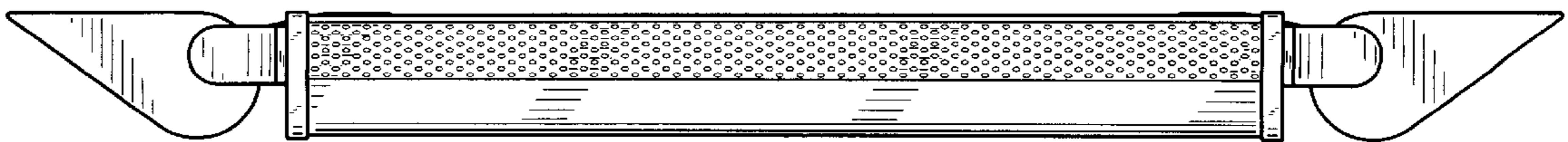
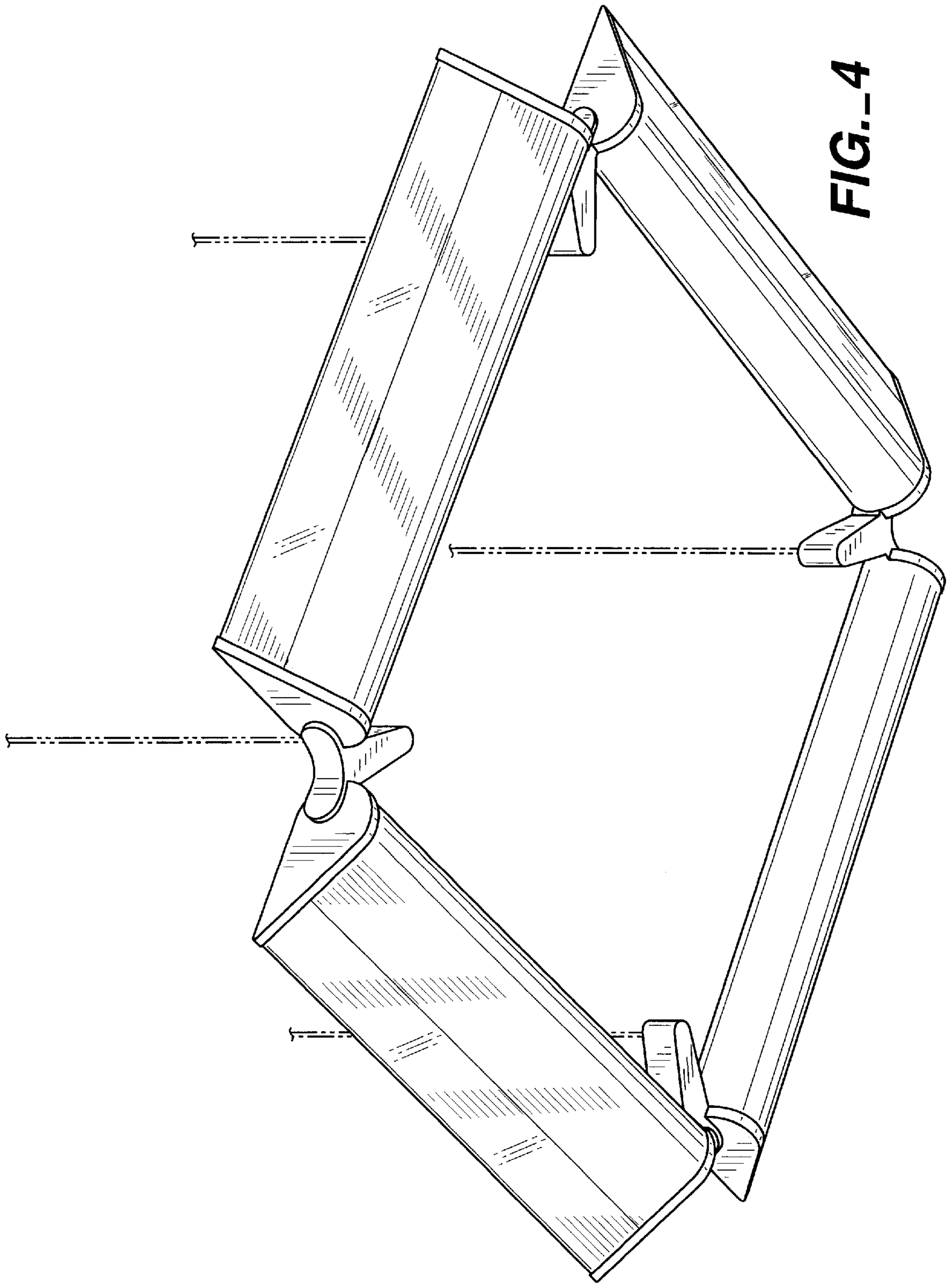


FIG._3



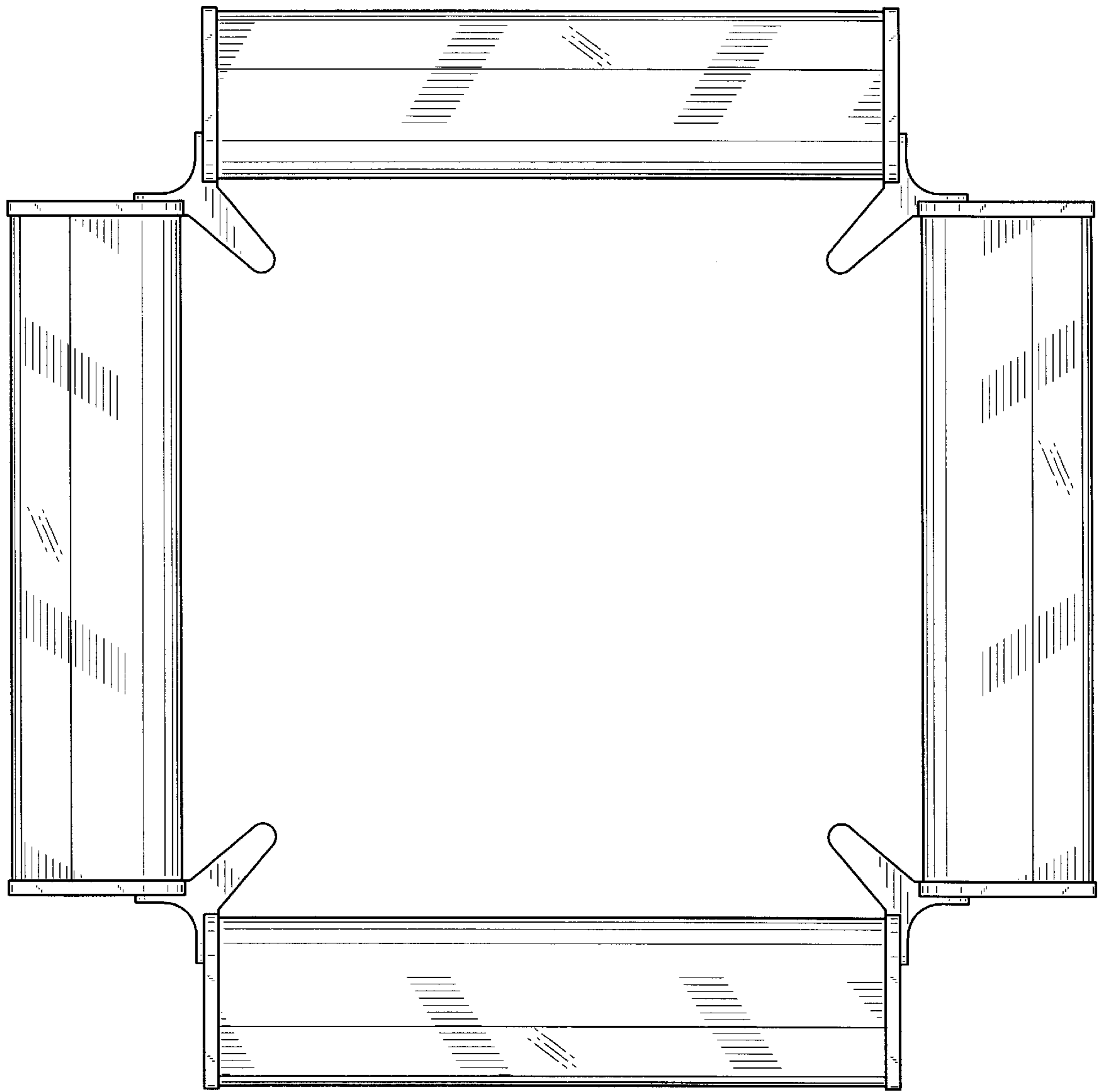


FIG._5

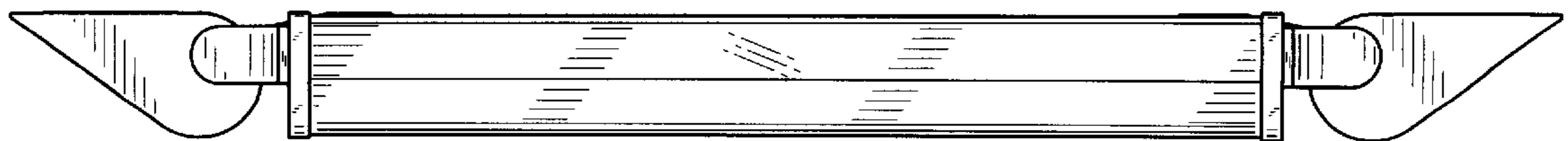


FIG._6