



US00D412995S

United States Patent [19]

Arcati et al.

[11] Patent Number: **Des. 412,995**

[45] Date of Patent: **** Aug. 17, 1999**

- [54] **FRAME ELEMENT EXTRUSION**
- [75] Inventors: **Thomas Arcati**, Huntington; **John L. Arcati**, Dix Hills, both of N.Y.
- [73] Assignee: **Champion Aluminum Corporation**, Syosset, N.Y.
- [**] Term: **14 Years**
- [21] Appl. No.: **29/082,759**
- [22] Filed: **Jan. 29, 1998**
- [51] **LOC (6) Cl.** **25-01**
- [52] **U.S. Cl.** **D25/125**
- [58] **Field of Search** D25/125, 52, 60

- D. 366,326 1/1996 Schrader D25/124
- D. 366,330 1/1996 Franson D25/124
- D. 369,418 4/1996 Franson D25/124
- D. 369,419 4/1996 Franson D25/125
- D. 372,108 7/1996 Franson D25/124
- D. 372,315 7/1996 Schrader D25/124
- D. 372,543 8/1996 Oliver D25/124
- 685,647 10/1901 Sborigi .
- 2,264,187 11/1941 Owen 20/56.5
- 3,101,820 8/1963 Snyder et al. 189/65
- 3,214,873 11/1965 Davis 52/215
- 3,239,976 3/1966 Hall 52/202
- 3,334,463 8/1967 Muessel 52/501
- 3,344,575 10/1967 Grossman 52/656
- 3,528,692 9/1970 De Vries 287/189.36
- 3,866,373 2/1975 Hudock 52/309
- 4,048,774 9/1977 Yamamoto 52/202
- 4,110,942 9/1978 Slocomb, Jr. 52/100
- 4,304,081 12/1981 Dawson 52/309.13
- 4,553,367 11/1985 Redien 52/656
- 4,555,884 12/1985 van Eerden 52/397
- 4,612,743 9/1986 Salzer 52/208
- 4,622,778 11/1986 Simpson 49/161
- 4,689,933 9/1987 Biro 52/656
- 4,949,506 8/1990 Durham, Jr. 49/449
- 4,974,364 12/1990 Durham, Jr. 49/400
- 5,090,168 2/1992 Fast et al. 52/213
- 5,099,624 3/1992 Valentin 52/207
- 5,115,610 5/1992 Kessler 52/397
- 5,121,951 6/1992 Harbom et al. 292/175

- [56] **References Cited**
- U.S. PATENT DOCUMENTS
- D. 216,955 3/1970 Dallaire D13/6
- D. 216,956 3/1970 Dallaire D13/6
- D. 226,904 5/1973 Dallaire D13/6
- D. 243,674 3/1977 Dallaire D25/76
- D. 243,683 3/1977 Dallaire D25/76
- D. 243,684 3/1977 Dallaire D25/76
- D. 245,707 9/1977 Dallaire D25/74
- D. 250,603 12/1978 Roesch D25/52
- D. 261,305 10/1981 Schmidt D25/74
- D. 261,310 10/1981 Schmidt D25/74
- D. 261,311 10/1981 Schmidt D25/74
- D. 267,746 1/1983 Schmidt D25/74
- D. 283,347 4/1986 Bancroft D25/125
- D. 285,611 9/1986 Slocomb, Jr. D25/73
- D. 286,192 10/1986 Bancroft D25/125
- D. 301,067 5/1989 Dallaire et al. D25/124
- D. 327,745 7/1992 Valentin D25/124
- D. 330,264 10/1992 Valentin D25/124
- D. 339,874 9/1993 Cole D25/124
- D. 341,437 11/1993 Cole D25/124
- D. 343,462 1/1994 Cole D25/124
- D. 345,019 3/1994 Cole D25/124
- D. 351,663 10/1994 Cole D25/124
- D. 363,357 10/1995 Franson D25/124
- D. 365,644 12/1995 Cole D25/124
- D. 366,325 1/1996 Schrader D25/124

Primary Examiner—Doris Clark
Attorney, Agent, or Firm—Dilworth & Barrese

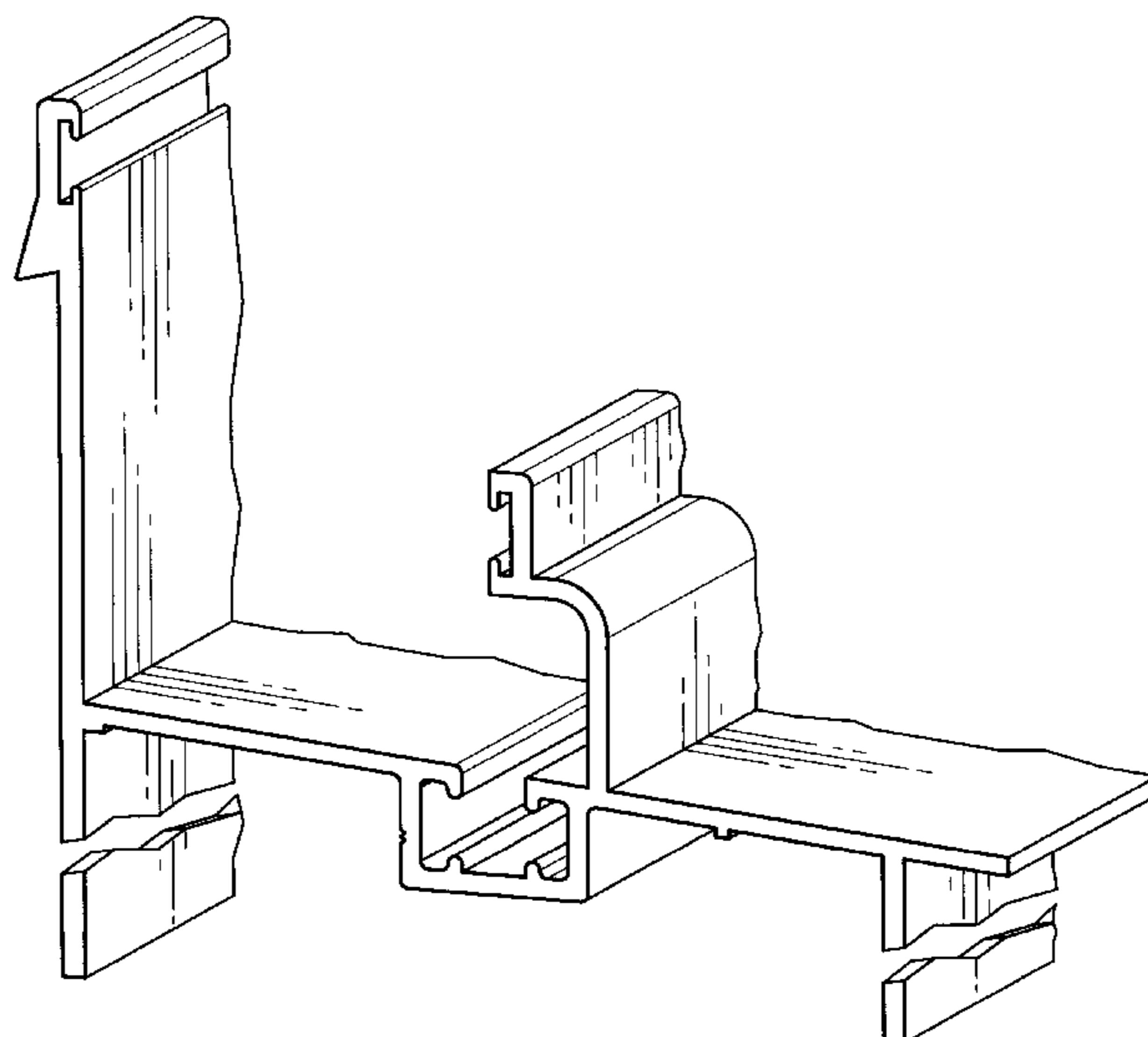
[57] CLAIM

The ornamental design for a frame element extrusion, as shown and described.

DESCRIPTION

FIG. 1 is a top right perspective view showing a frame element extrusion, constructed in accordance with the presently disclosed design, the frame element extrusion being of indeterminate length and height; and, FIG. 2 is a bottom left perspective view thereof.

1 Claim, 1 Drawing Sheet



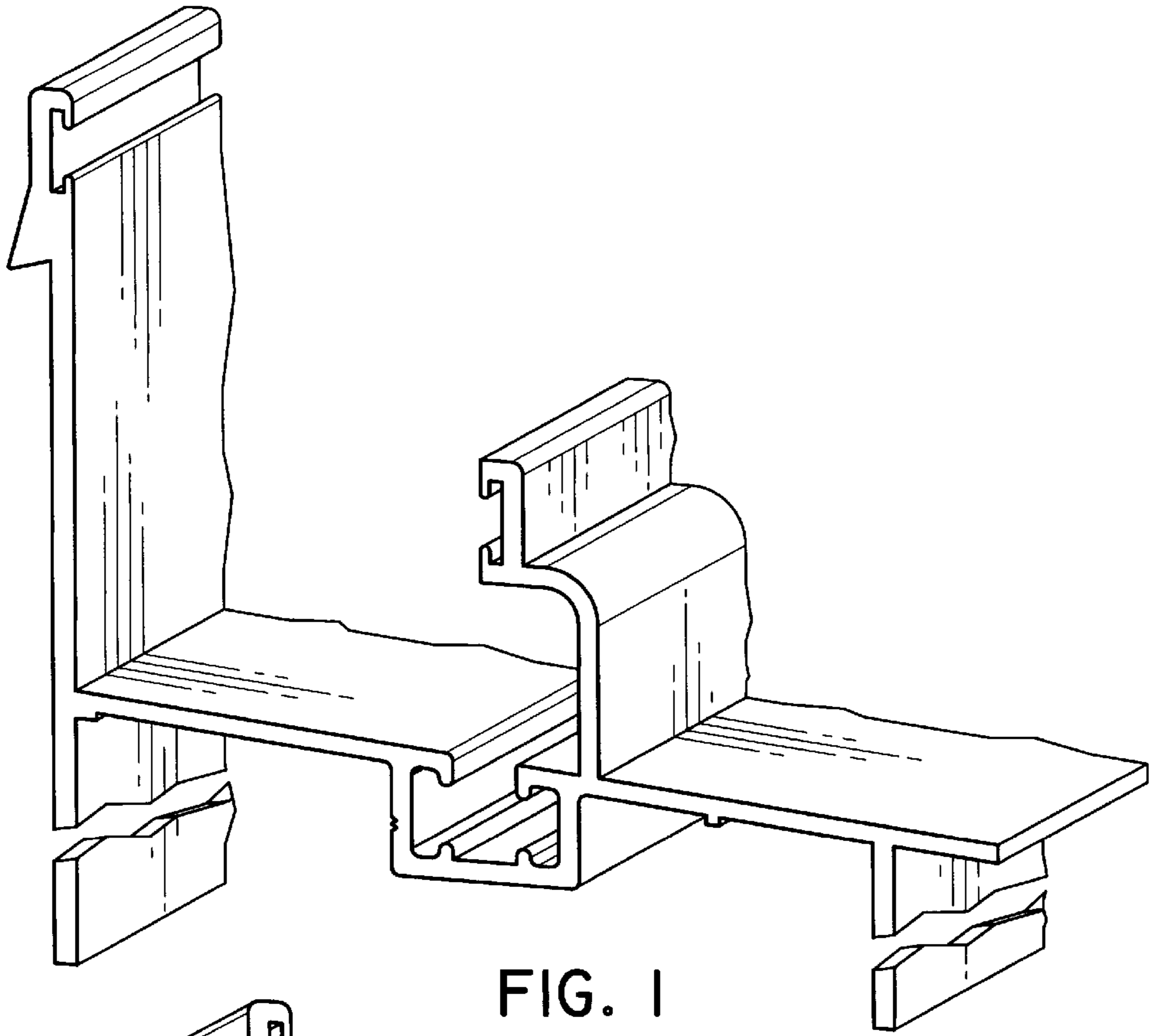


FIG. 1

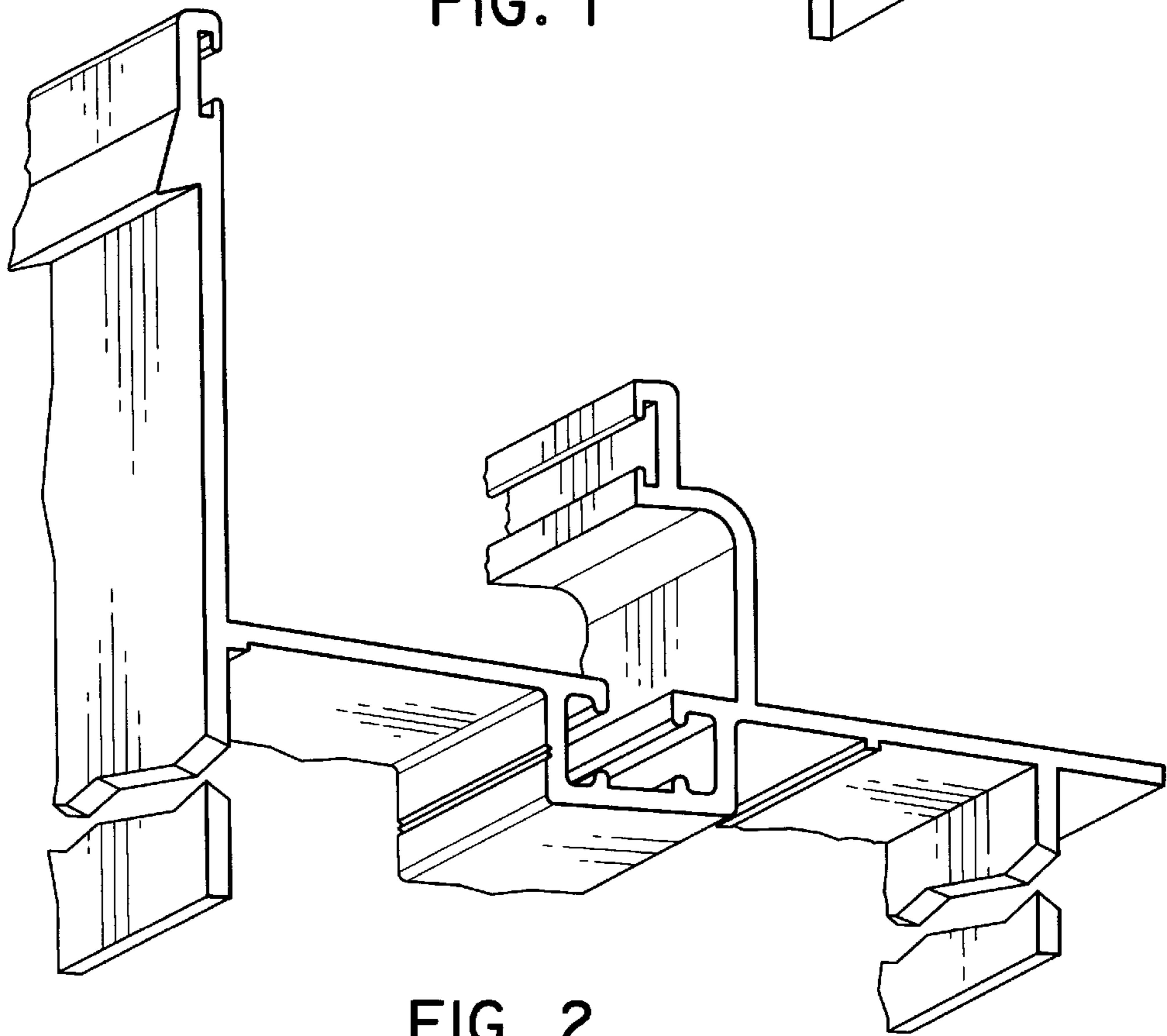


FIG. 2