



US00D412994S

United States Patent [19]
Oliver

[11] **Patent Number: Des. 412,994**

[45] **Date of Patent: ** Aug. 17, 1999**

[54] **WINDOW COMPONENT EXTRUSION**

D. 339,644 9/1993 Cole .
D. 353,897 12/1994 Cole .

[75] Inventor: **Teresa Oliver**, Kent, Wash.

[73] Assignee: **Mikron Industries, Inc.**, Kent, Wash.

[**] Term: **14 Years**

Primary Examiner—Doris Clark
Attorney, Agent, or Firm—Richardson & Folise

[21] Appl. No.: **29/090,838**

[22] Filed: **Jul. 17, 1998**

[57] **CLAIM**

The ornamental design for a window component extrusion, as shown and described.

[51] **LOC (6) Cl.** **25-01**

[52] **U.S. Cl.** **D25/124**

[58] **Field of Search** D25/124, 52, 60,
D25/125; 52/204.1, 205.1, 474-476; 49/DIG. 1,
DIG. 2, 504-505

DESCRIPTION

FIG. 1 is a top right perspective view of the window component extrusion which is broken in the center indicating indefinite length, and;

FIG. 2 is a bottom left perspective view of the window component extrusion shown in FIG. 1.

[56] **References Cited**

U.S. PATENT DOCUMENTS

D. 338,720 8/1993 Moss et al. D25/124

1 Claim, 1 Drawing Sheet

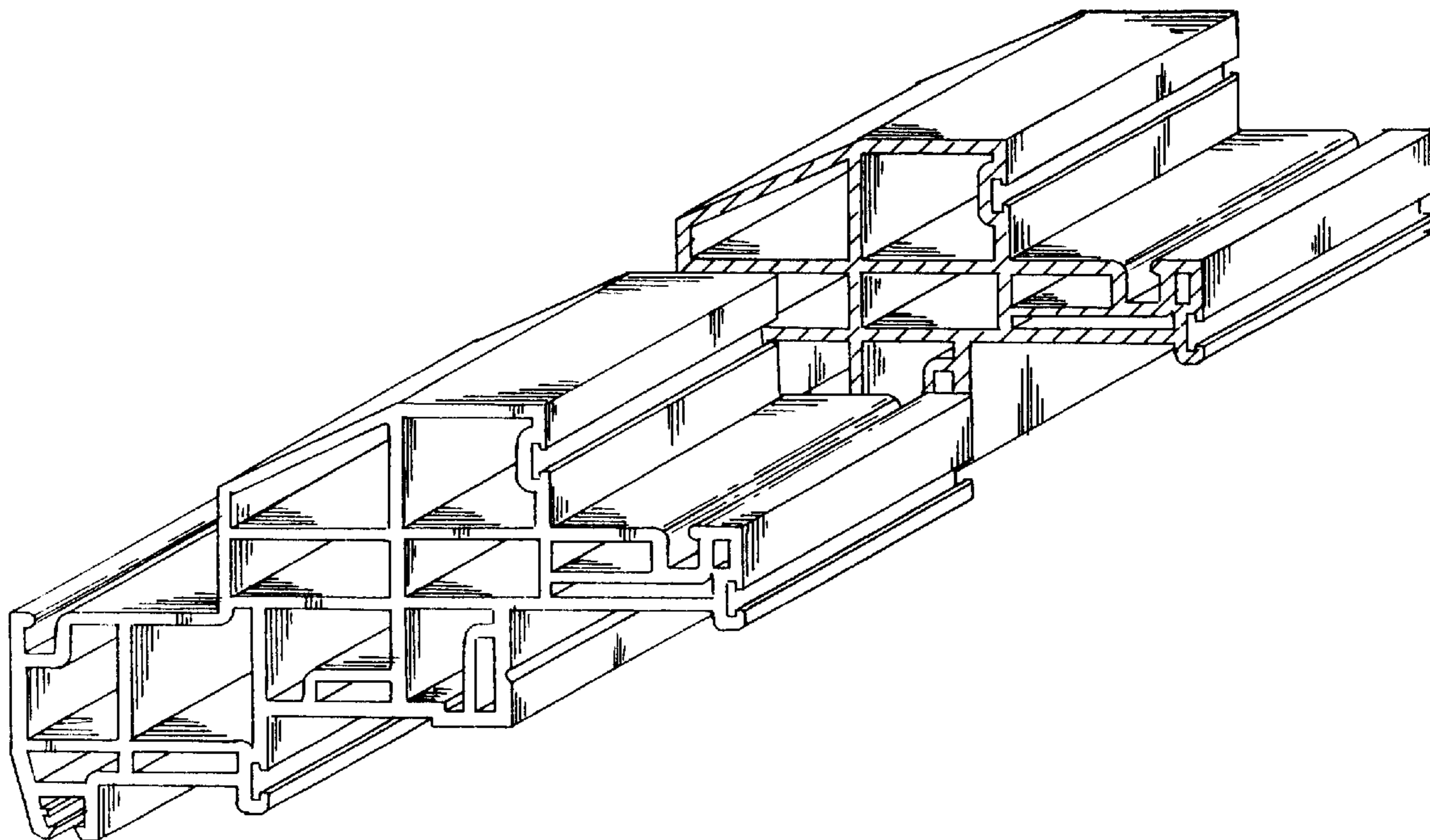


FIG. 1

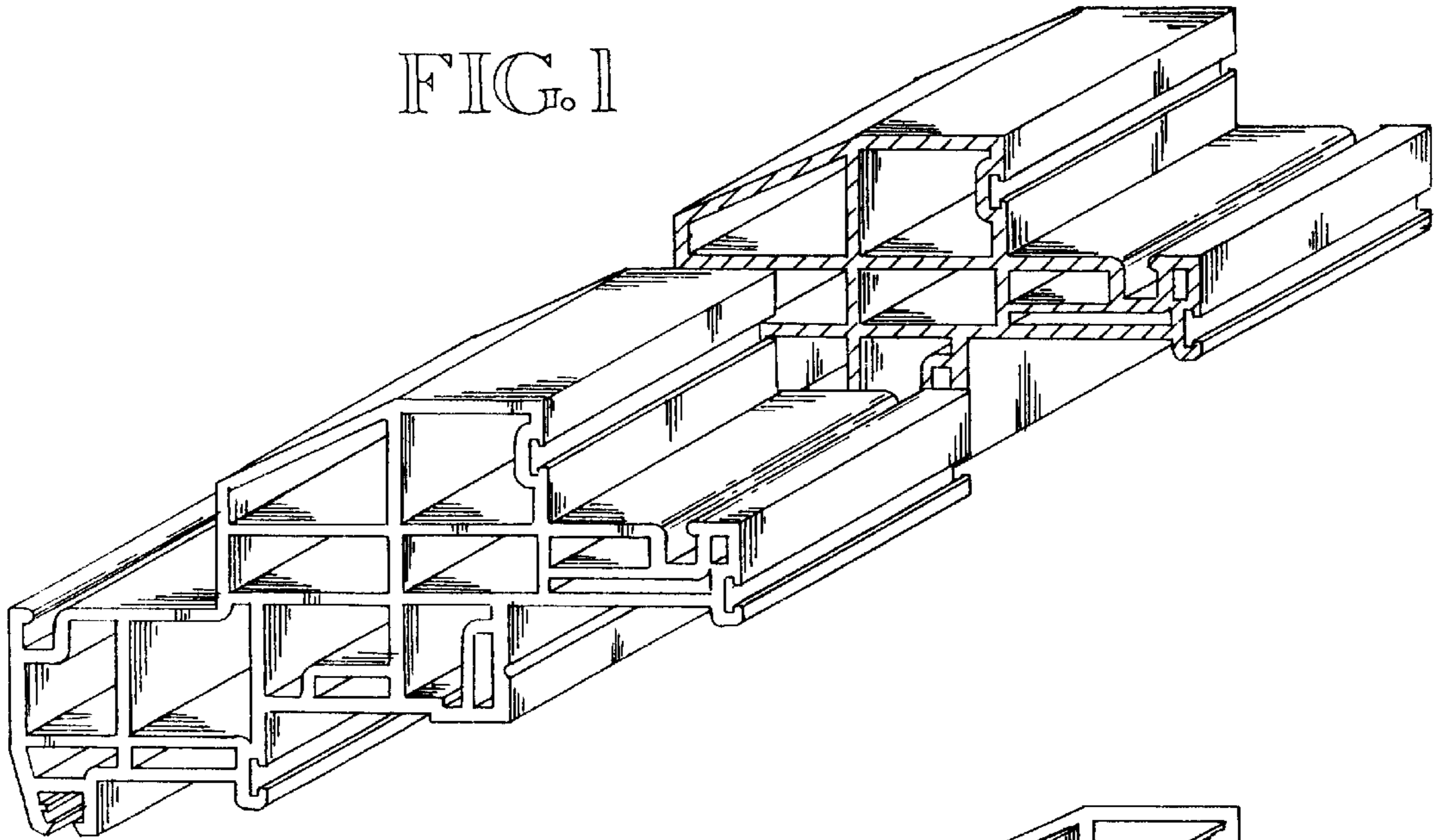


FIG. 2

