



US00D412993S

United States Patent [19] Chipman et al.

[11] **Patent Number: Des. 412,993**
[45] **Date of Patent: ** Aug. 17, 1999**

[54] CANOPIED STRUCTURE

[75] Inventors: **Robert G. Chipman**, Austin, Tex.;
Brian J. Kane, San Francisco, Calif.;
Arno R. Yurk, Kalamazoo, Mich.

[73] Assignee: **Landscape Forms, Inc.**, Kalamazoo, Mich.

[**] Term: **14 Years**

[21] Appl. No.: **29/098,199**

[22] Filed: **Dec. 23, 1998**

[51] **LOC (6) Cl.** **25-02**

[52] **U.S. Cl.** **D25/56**

[58] **Field of Search** D25/56; 135/908,
135/907, 90, 87

[56] **References Cited**

U.S. PATENT DOCUMENTS

D. 200,851	4/1965	Wise	D15/1
D. 260,059	8/1981	Vorwerck	D6/54
334,584	1/1886	Haynes	.	
D. 338,073	8/1993	Wall	D25/56
D. 363,790	10/1995	Boyd	D25/56
536,131	3/1895	Coldwell	.	
2,128,539	8/1938	Roach	108/1
3,195,274	7/1965	Utig	50/49
3,303,851	2/1967	Grunfeld	135/7.1
4,621,865	11/1986	Herrera	297/157
4,796,391	1/1989	Lu	52/73
5,185,972	2/1993	Markiewicz	52/63
5,200,240	4/1993	Baker	428/34.1
5,255,897	10/1993	Pepper	256/24
5,524,405	6/1996	Byrd	52/295
5,649,688	7/1997	Baker	256/21

FOREIGN PATENT DOCUMENTS

2589 184 4/1987 France .
631566 11/1949 United Kingdom .

OTHER PUBLICATIONS

“StreetSmart Designs” marketed by JWI, Holland, MI, Sweets Catalog 1998, 2 pp.

“Environmentally Friendly Shelters”, marketed by Americana Building Products, Sweets Catalog 1998, BuyLine 6780, 2 pp.

“Shelters”, marketed by Brasco International, Detroit, MI, Sweets Catalog 1998, BuyLine 0250, 3 pp.

“Shelters”, marketed by Cambridge Designs, Greenville, AL, Sweets Catalog 1998, 1 page.

“Poligon Park Architecture”, Sweets Catalog 1998, BuyLine 4455, 4 pp.

Primary Examiner—Doris Clark

Attorney, Agent, or Firm—Heslin & Rothenberg, P.C.

[57] **CLAIM**

The ornamental design for a canopied structure, as shown and described.

DESCRIPTION

FIG. 1 is an isometric view of the canopied structure of our new design;

FIG. 2 is a front elevational view thereof;

FIG. 3 is a rear elevational view thereof;

FIG. 4 is a right side elevational view thereof, the left side elevational view being a mirror image thereof;

FIG. 5 is a top plan view thereof; and,

FIG. 6 is a bottom plan view thereof.

1 Claim, 6 Drawing Sheets

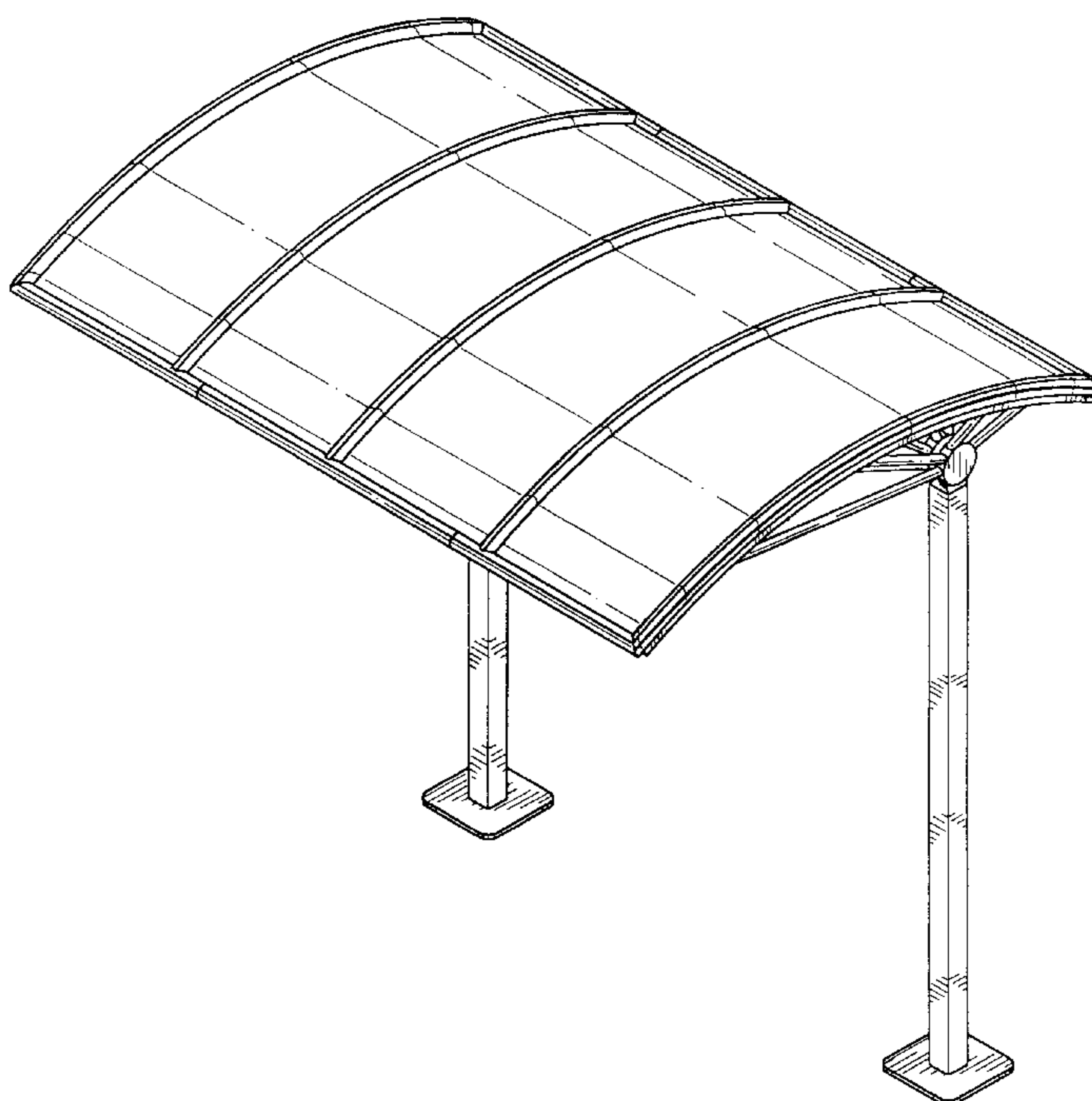


FIG. 1

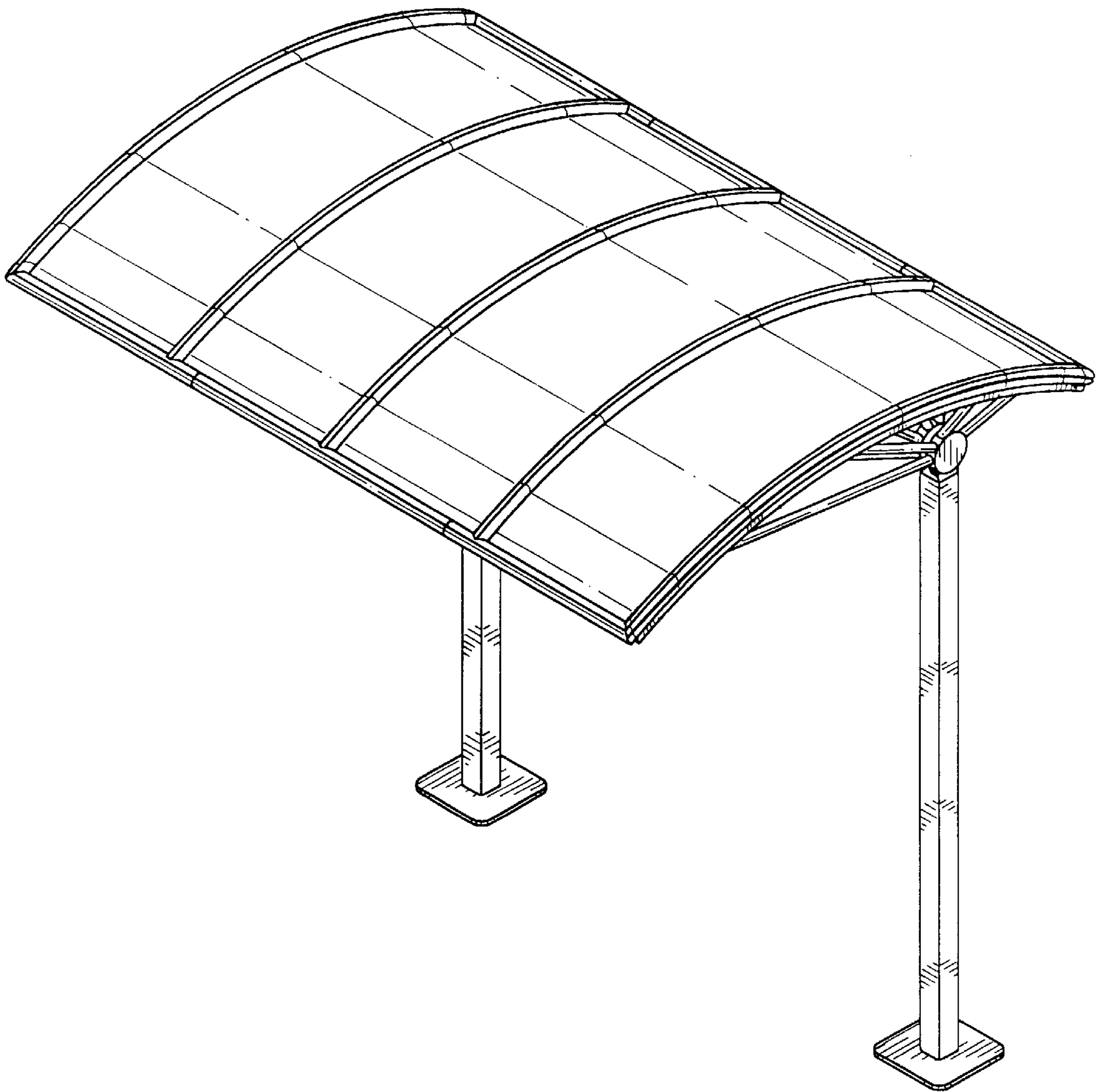


FIG. 2

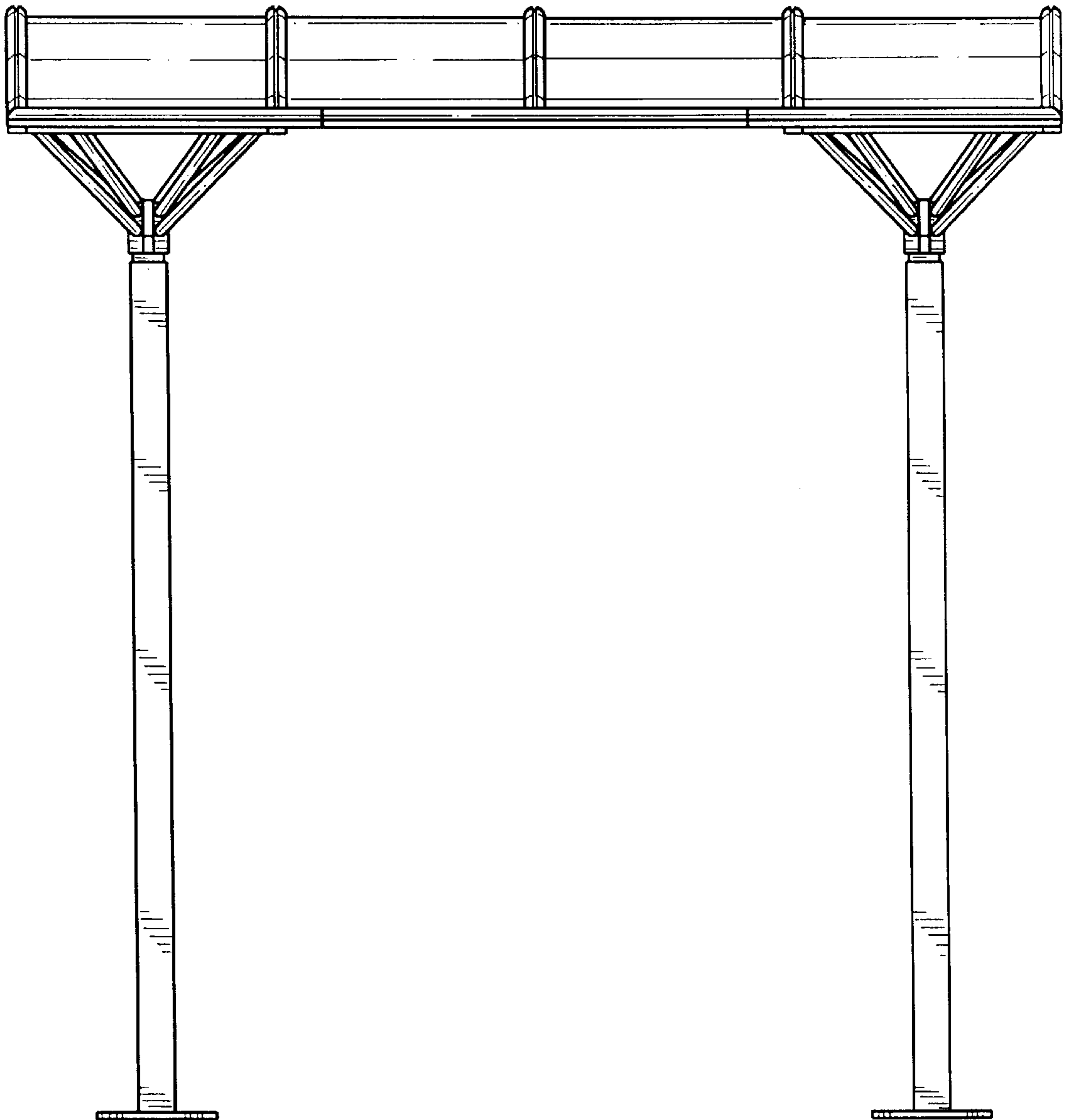


FIG. 3

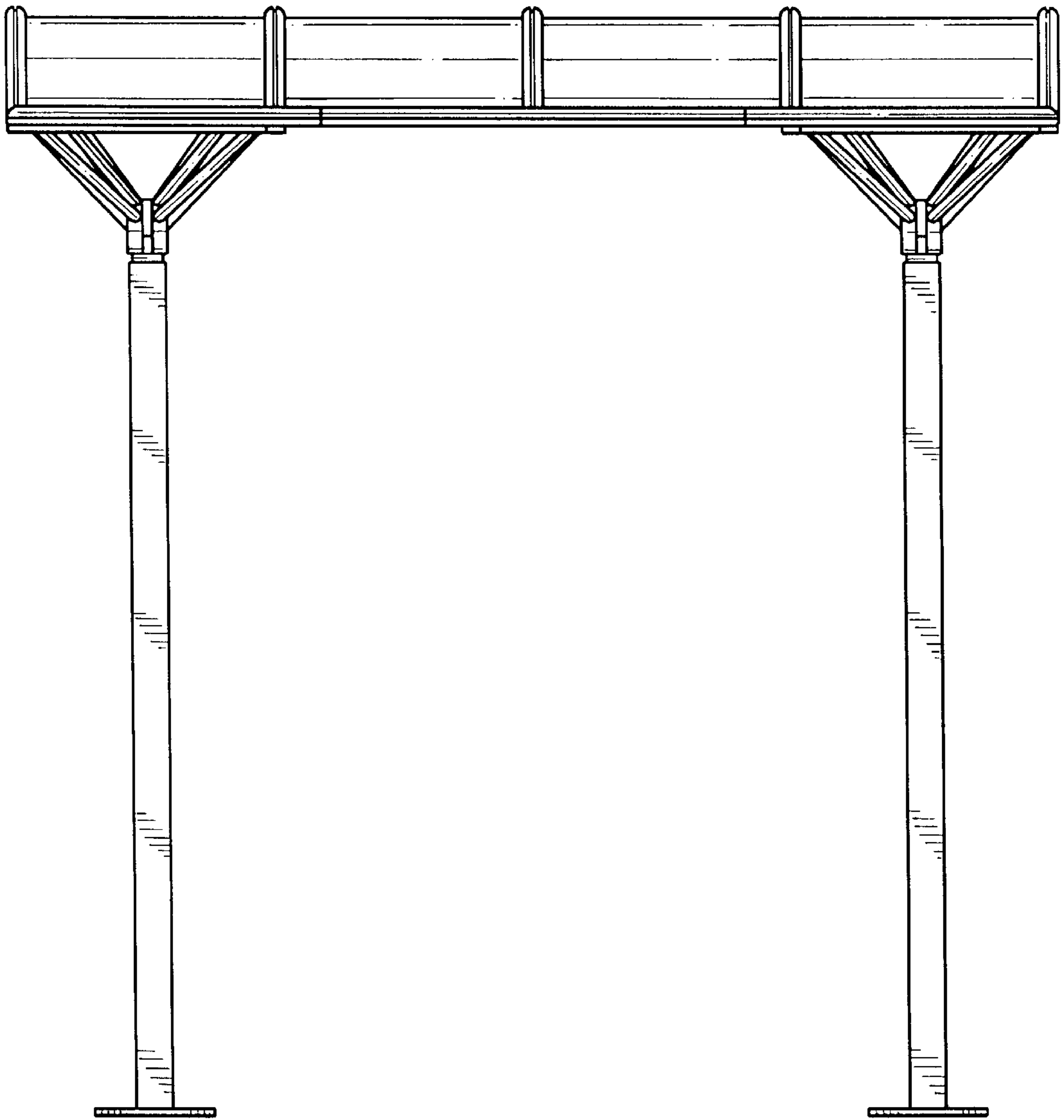
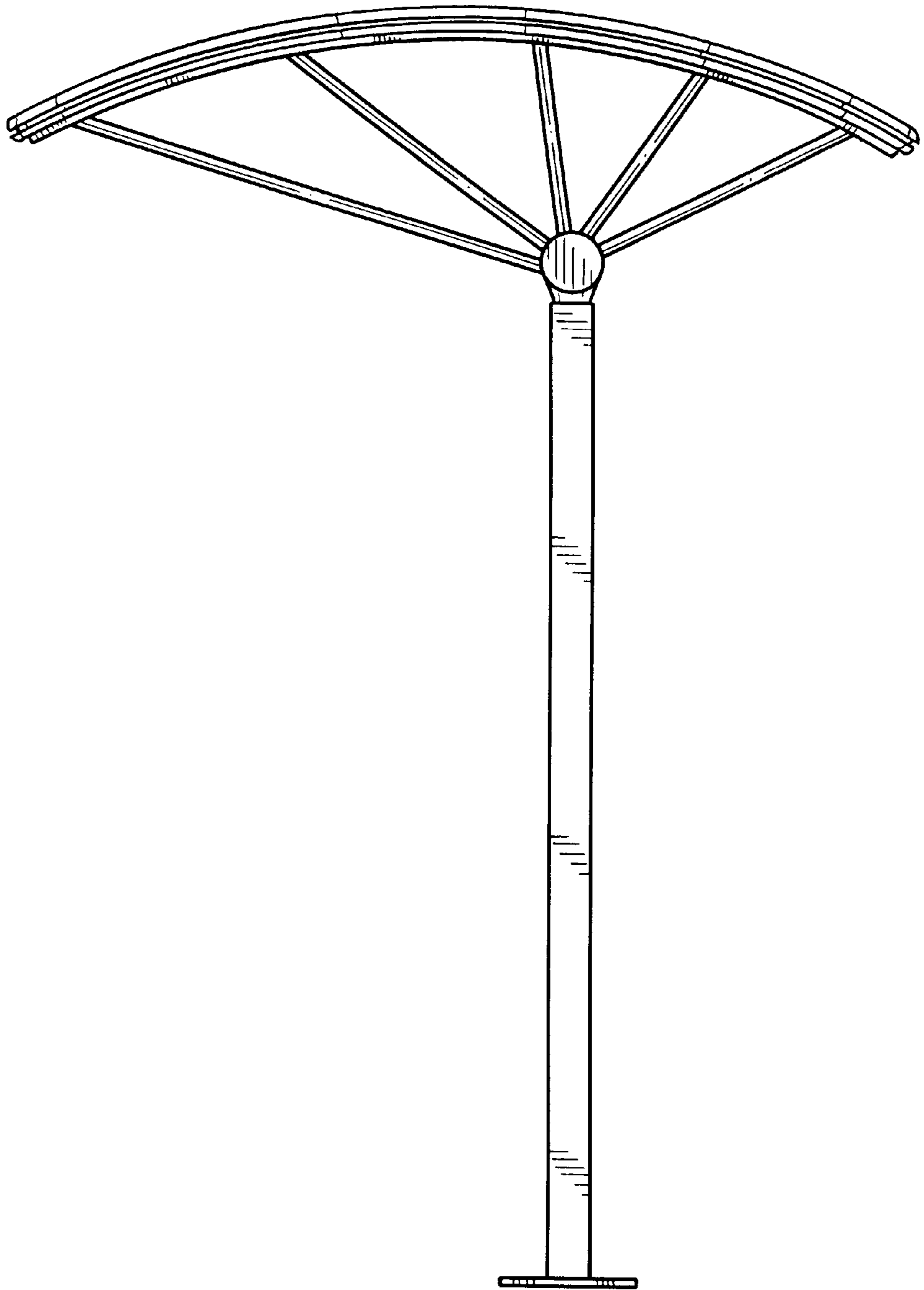


FIG. 4



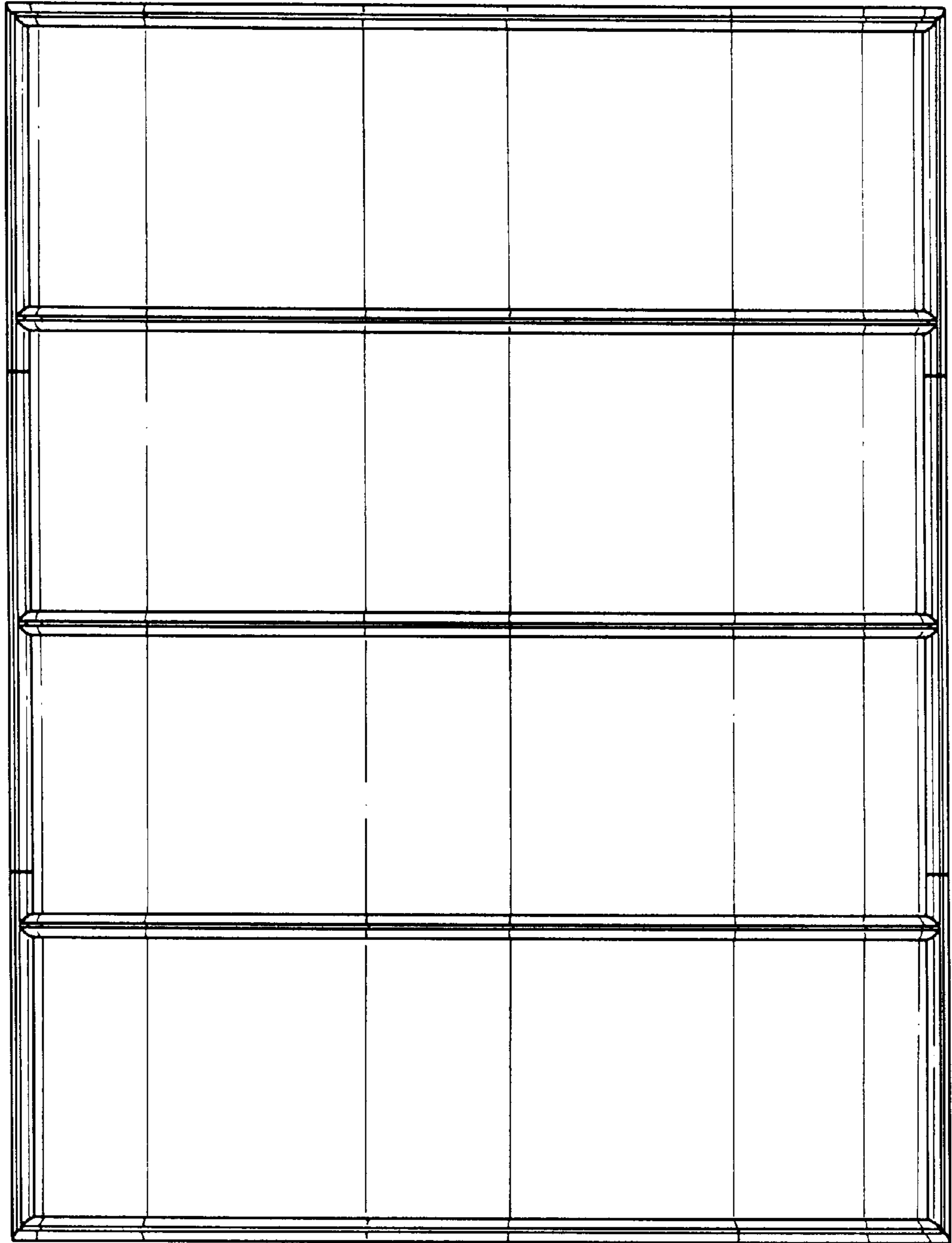


FIG. 5

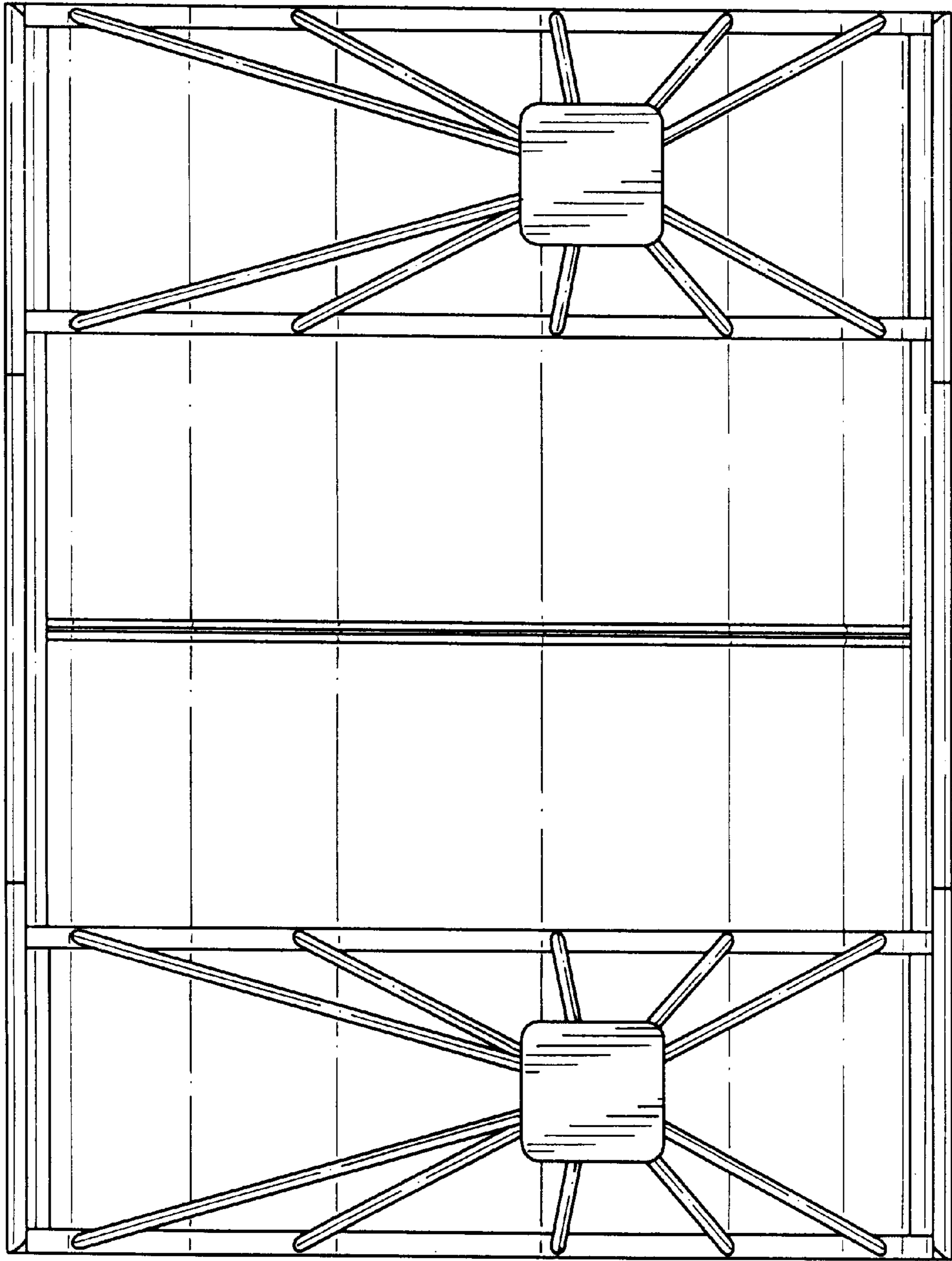


FIG. 6