



US00D412991S

United States Patent [19]

DiVito et al.

[11] Patent Number: **Des. 412,991**

[45] Date of Patent: **** Aug. 17, 1999**

[54] **ENCLOSURE FOR ANALYTICAL INSTRUMENTATION**

[75] Inventors: **Michael P DiVito**, Beacon Falls;
Ernest M. Bevilacqua, Wilton, both of Conn.; **Marcel Margulies**, Scarsdale, N.Y.; **E. Joel McCorkle**, Woodbury, Conn.; **Ralph W. Keese**, Trumbull, Conn.; **Donald G. Mackay**, Roxbury, Conn.

[73] Assignee: **The Perkin-Elmer Corp.**, Norwalk, Conn.

[**] Term: **14 Years**

[21] Appl. No.: **29/064,998**

[22] Filed: **Jan. 16, 1997**

[51] **LOC (6) Cl.** **24-01**

[52] **U.S. Cl.** **D24/232**

[58] **Field of Search** D24/232, 216, D24/186; 374/10, 12, 31, 33, 42-44

[56] **References Cited**

U.S. PATENT DOCUMENTS

D. 338,419 8/1993 Frankel et al. D24/232 X

D. 369,564	5/1996	Whitby et al.	D24/232 X
D. 373,830	9/1996	LaBarbera et al.	D24/232
4,783,174	11/1988	Gmelin et al.	374/33
5,590,537	1/1997	Vogel	62/51.1
5,655,681	8/1997	Voge et al.	220/560.13
5,671,603	9/1997	McCorkle et al.	62/492
5,672,289	9/1997	O'Neill	219/497
5,813,763	9/1998	Plotnikov et al.	374/31 X
5,842,788	12/1998	Danley	374/12

Primary Examiner—Stella Reid
Attorney, Agent, or Firm—David Aker

[57] **CLAIM**

We claim the ornamental design for an enclosure for analytical instrumentation, as shown and described.

DESCRIPTION

FIG. 1 is an isometric view of an enclosure for analytical instrumentation showing our new design; FIG. 2 is a top elevational view thereof; FIG. 3 is a front elevational view thereof; FIG. 4 is a left side elevational view thereof; FIG. 5 is a right side elevational view thereof; FIG. 6 is a rear elevational view thereof; and, FIG. 7 is a bottom elevational view thereof.

1 Claim, 7 Drawing Sheets

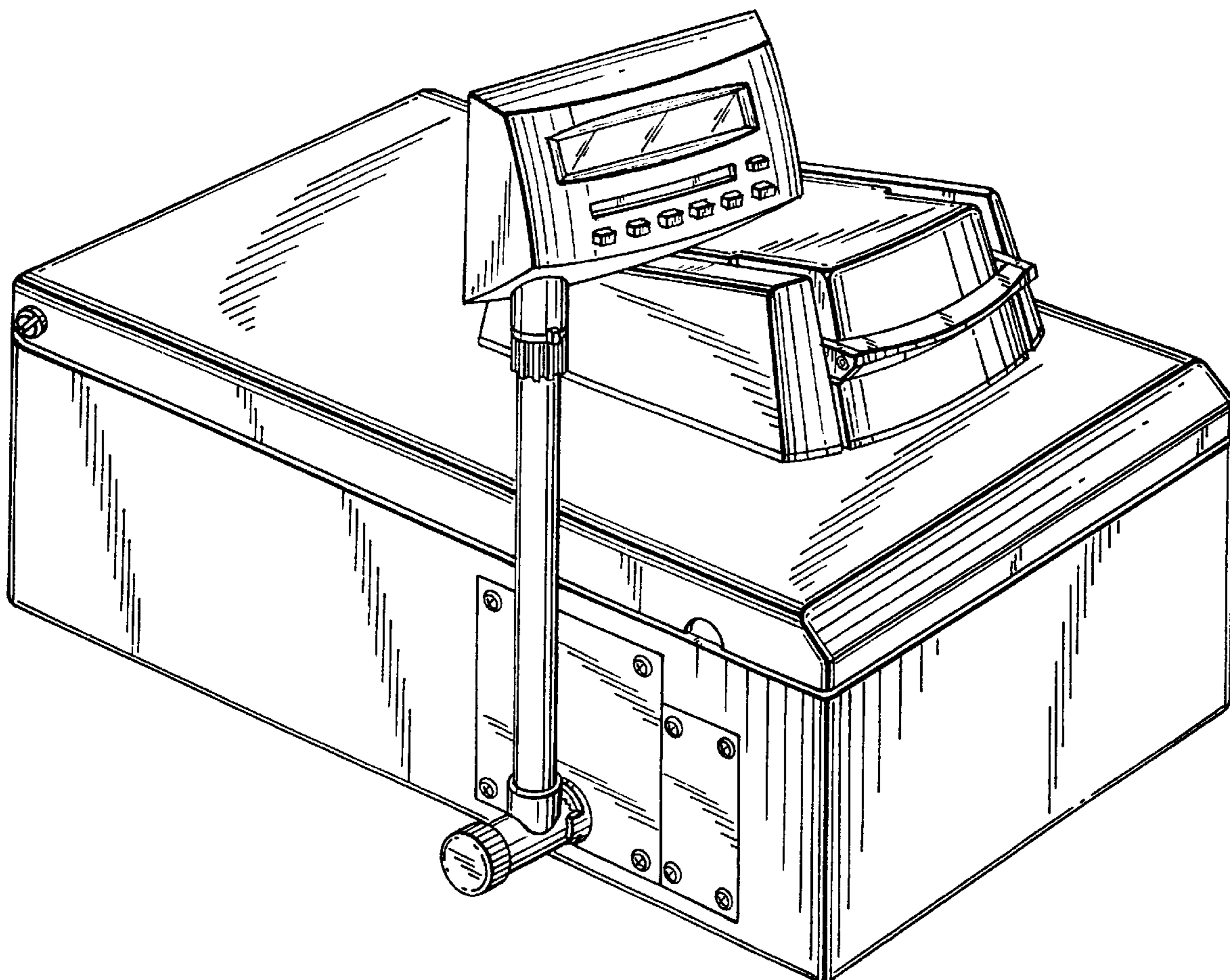
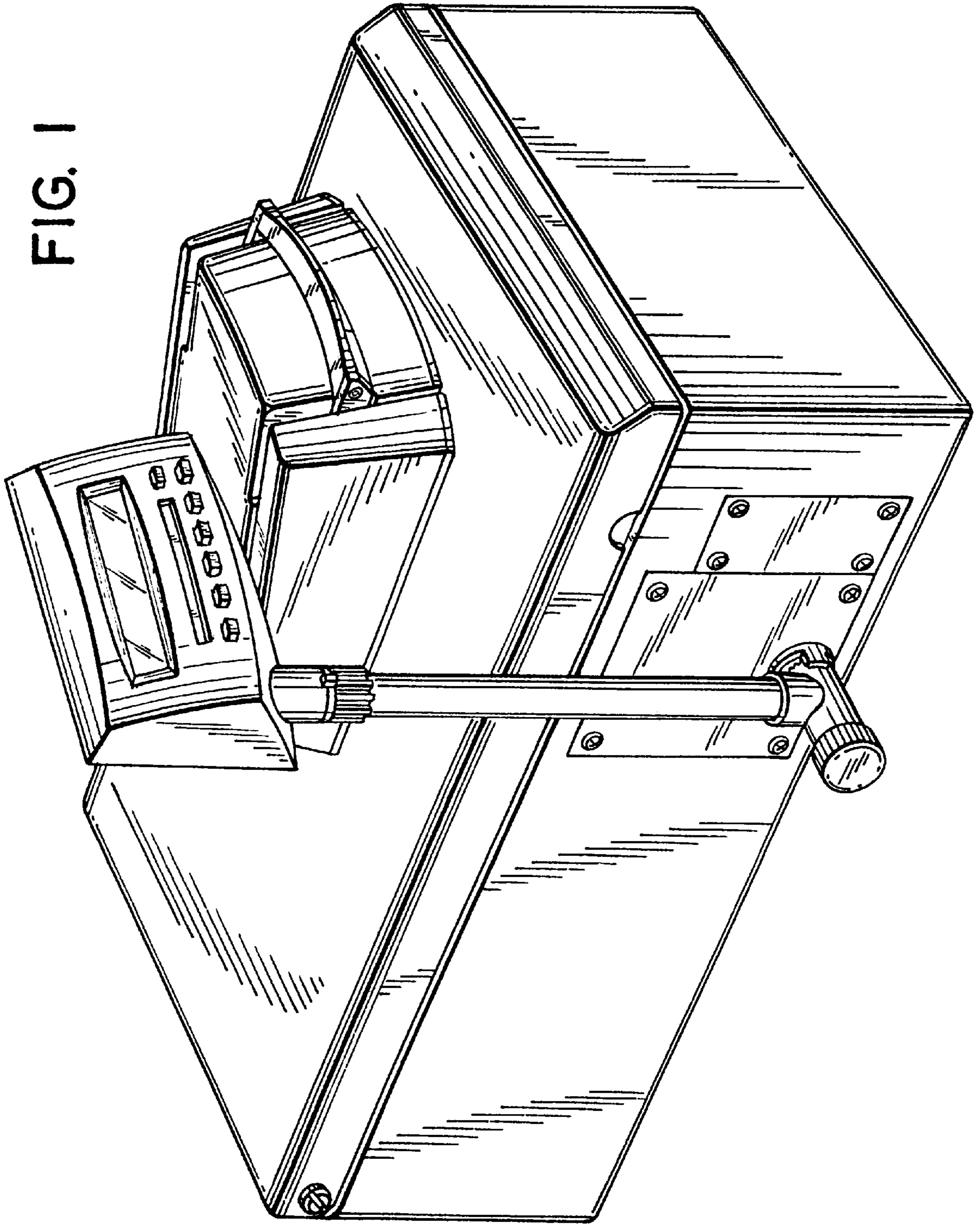


FIG. 1



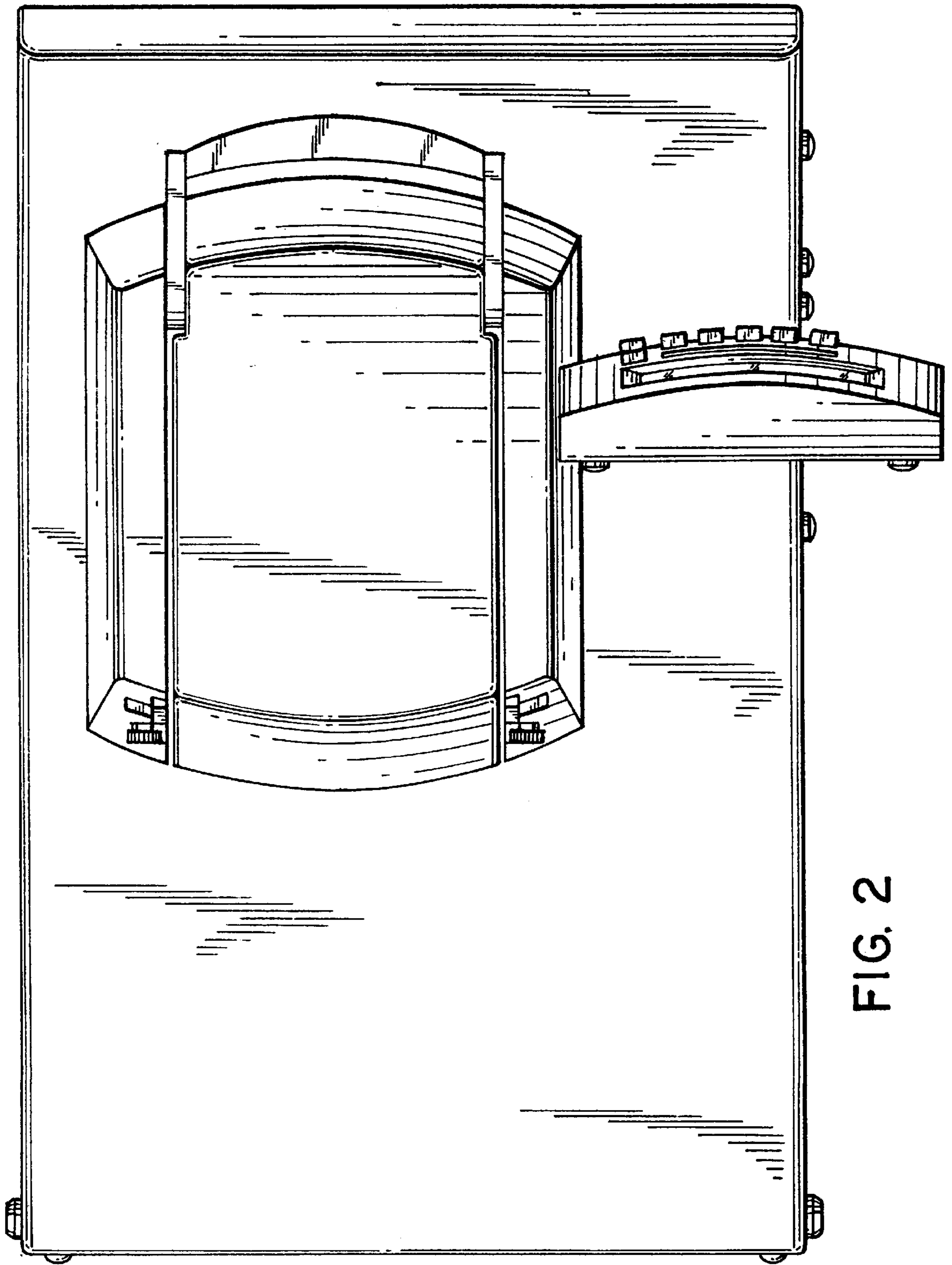
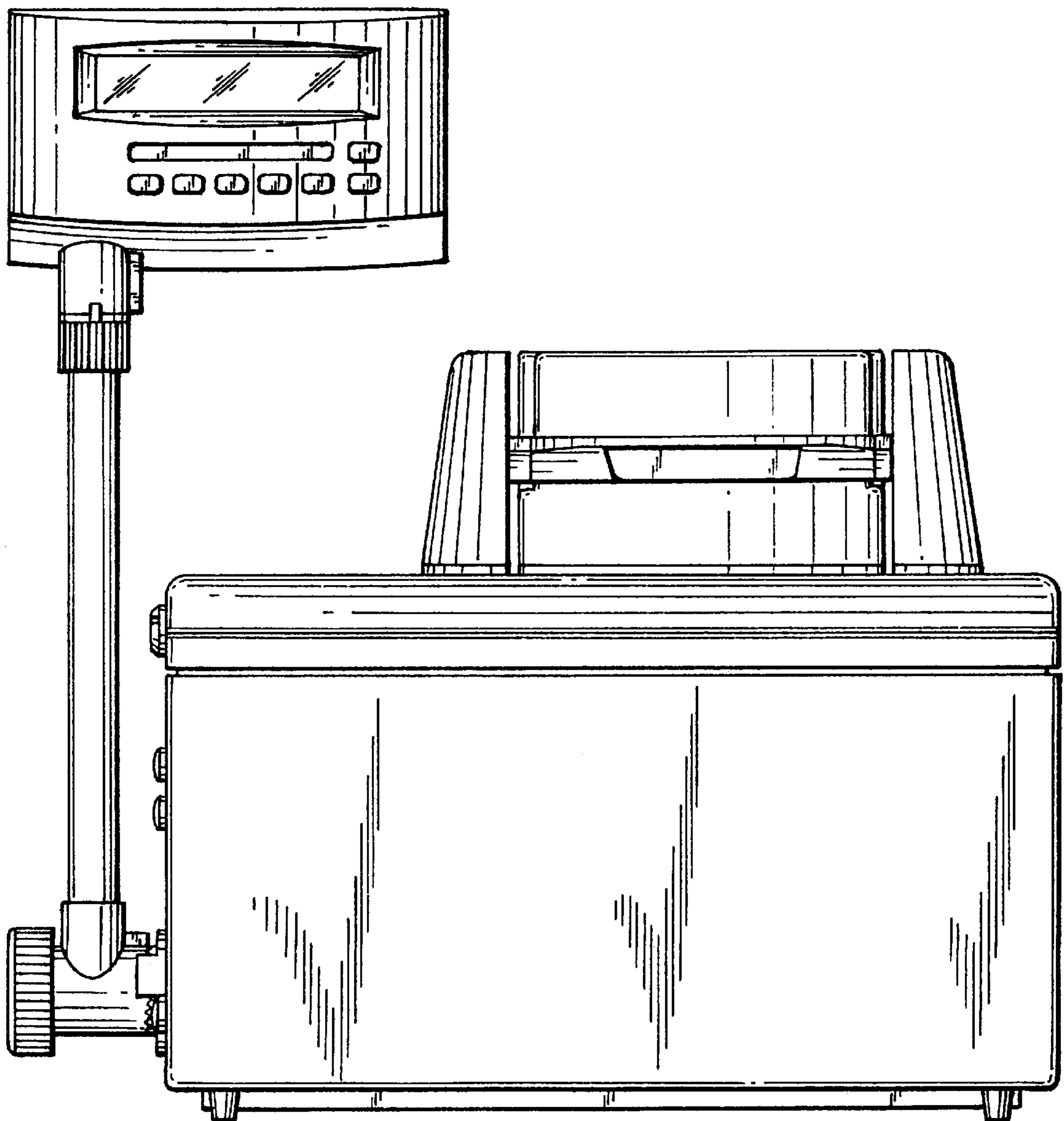


FIG. 2

FIG. 3



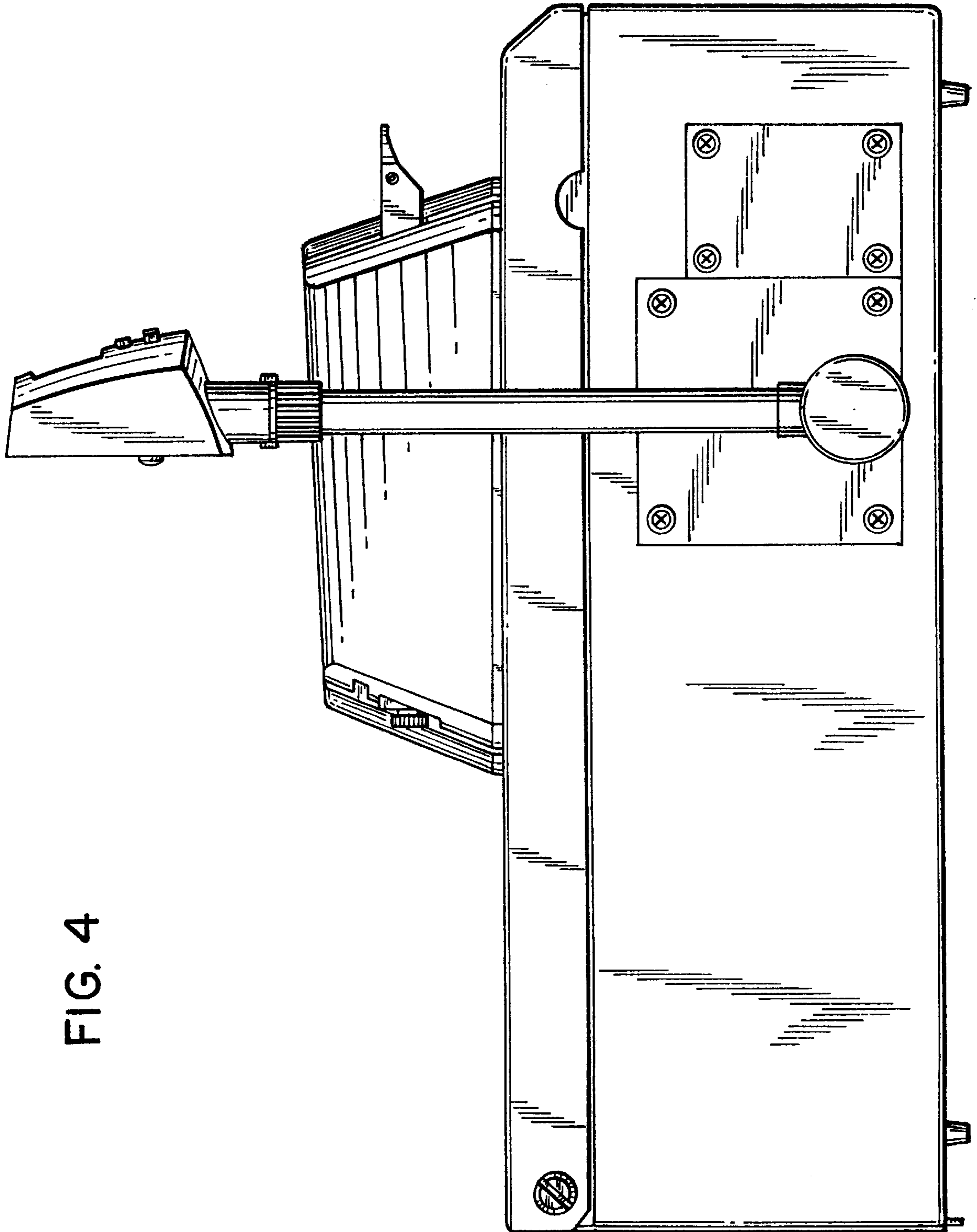


FIG. 4

FIG. 5

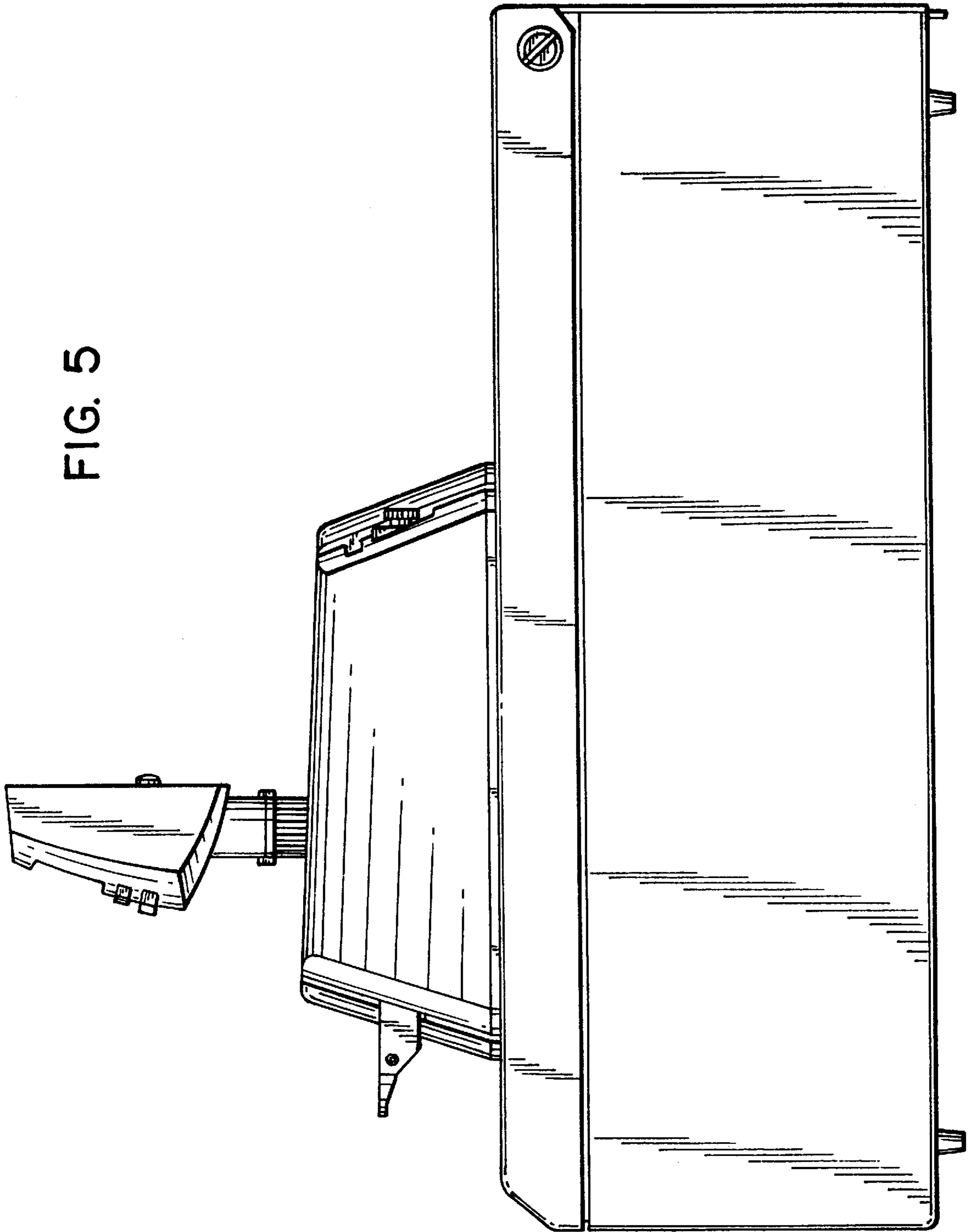


FIG. 6

