



US00D412987S

United States Patent [19]

[11] **Patent Number: Des. 412,987**

Borowsky et al.

[45] **Date of Patent: ** Aug. 17, 1999**

[54] **COMBINED HEARING AID AND TINNITUS MASKER**

5,167,236 12/1992 Junker 600/559
5,403,262 4/1995 Gooch 600/28
5,795,287 8/1998 Ball et al. 600/28 X

[75] Inventors: **Hans-Dieter Borowsky; Edmund Löbbers**, both of Neuenkirchen; **Theo Wesendahl**, Rheine, all of Germany

Primary Examiner—Stella Reid
Attorney, Agent, or Firm—Lahive & Cockfield, LLP;
Anthony A. Laurentano

[73] Assignee: **auric Hörsysteme GmbH & Co. KG**, Rheine, Germany

[**] Term: **14 Years**

[57] CLAIM

[21] Appl. No.: **29/084,947**

The ornamental design for a combined hearing aid and tinnitus masker, as shown and described.

[22] Filed: **Mar. 13, 1998**

DESCRIPTION

[30] Foreign Application Priority Data

Sep. 16, 1997 [DE] Germany M 97 08 470

FIG. 1 is a top view of a combined hearing aid and tinnitus masker of my new design;

[51] **LOC (6) Cl.** **24-99**

FIG. 2 is a front view thereof;

[52] **U.S. Cl.** **D24/173**

FIG. 3 is a bottom view thereof;

[58] **Field of Search** D24/173, 174, D24/175; 381/23.1, 212, 71.1, 73.1; 600/28, 27, 26, 25

FIG. 4 is a side view thereof, the opposite side view being identical thereto; and,

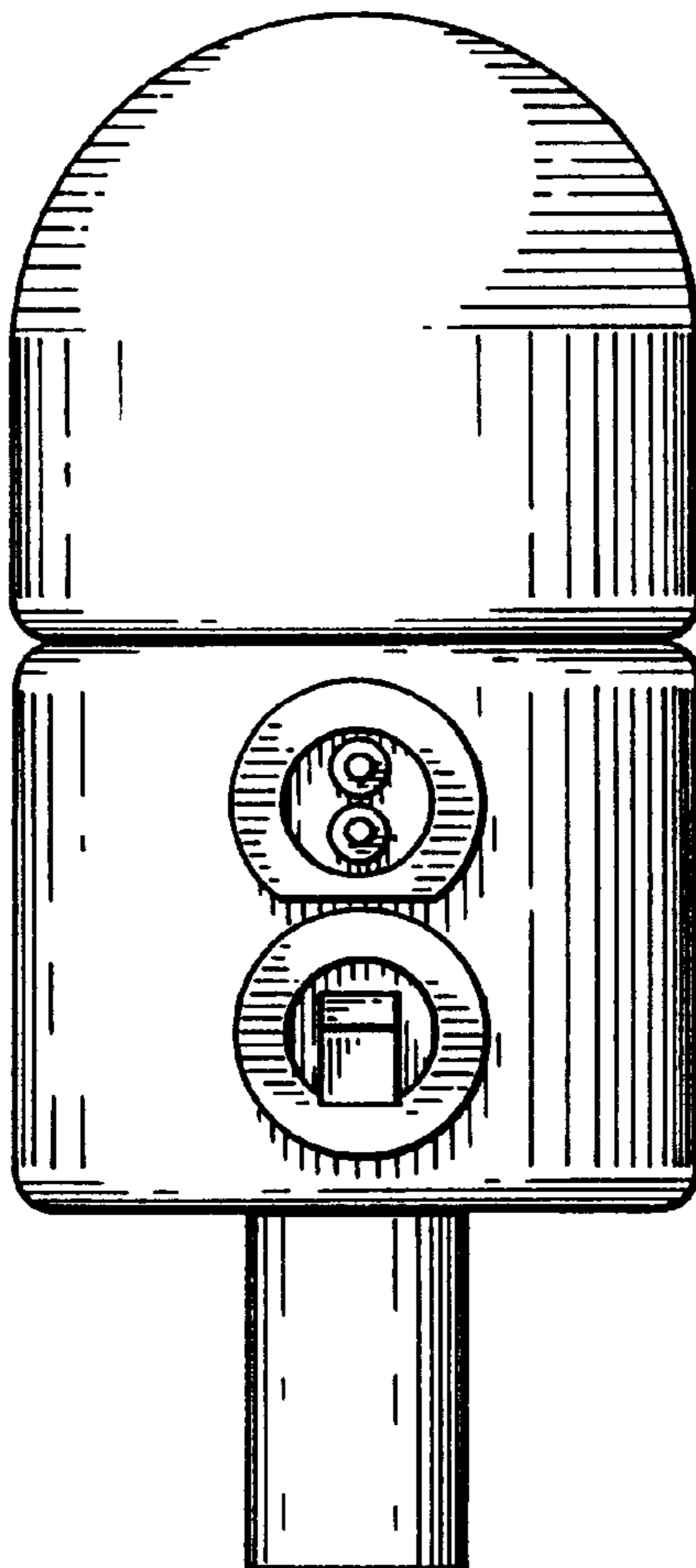
FIG. 5 is a rear view thereof.

[56] References Cited

U.S. PATENT DOCUMENTS

4,222,393 9/1980 Hocks et al. 600/559

1 Claim, 1 Drawing Sheet



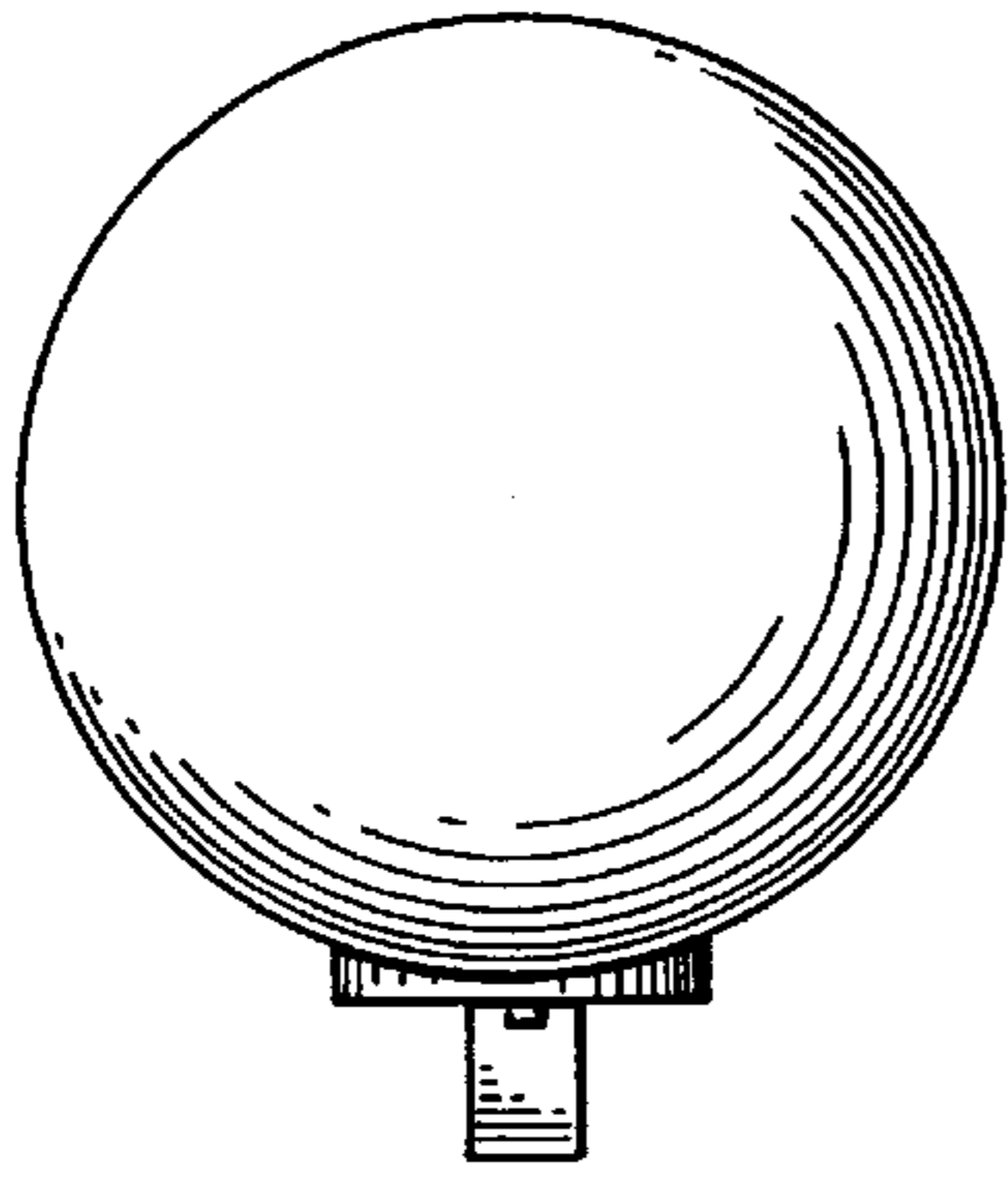


FIG. 1

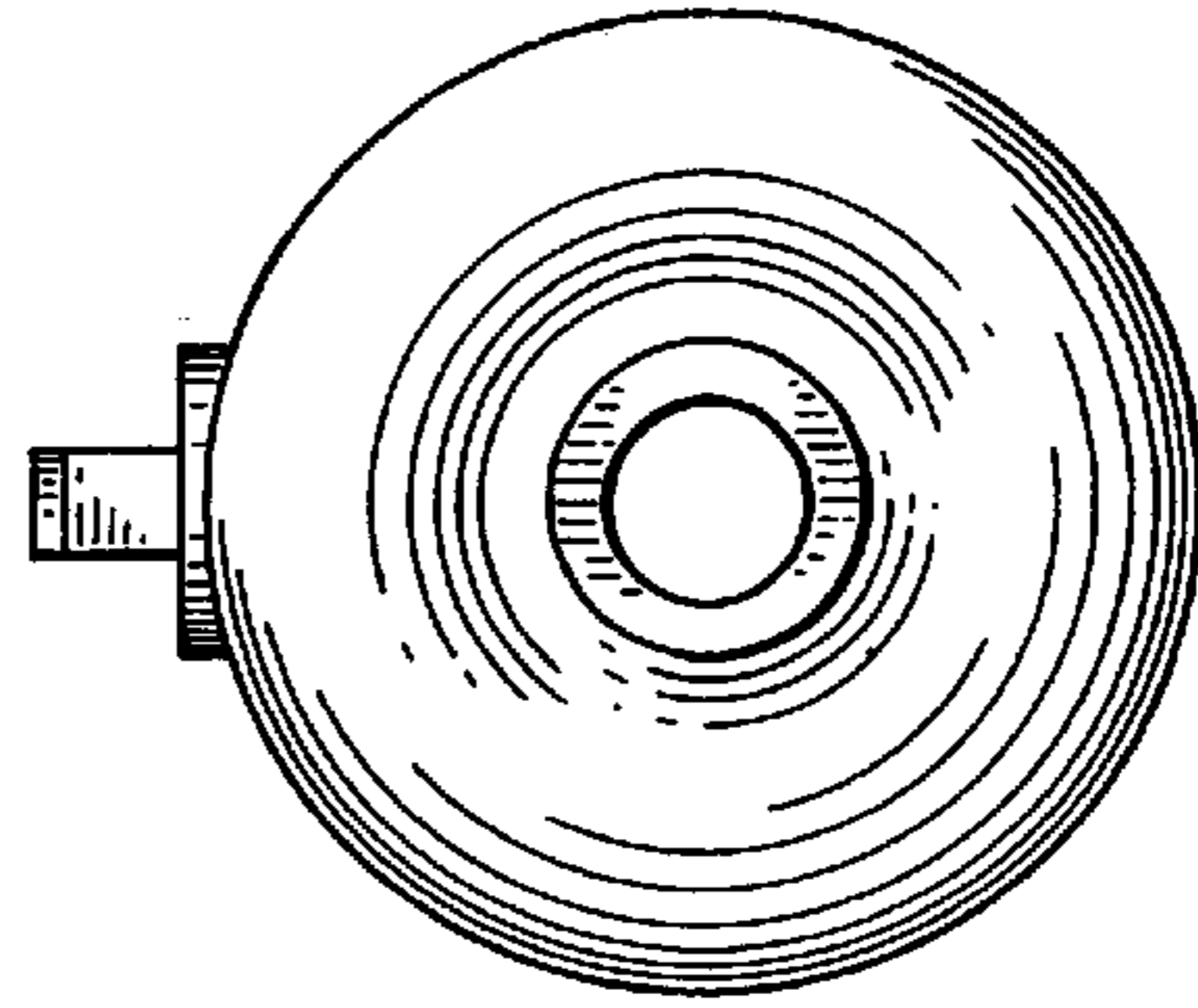


FIG. 3

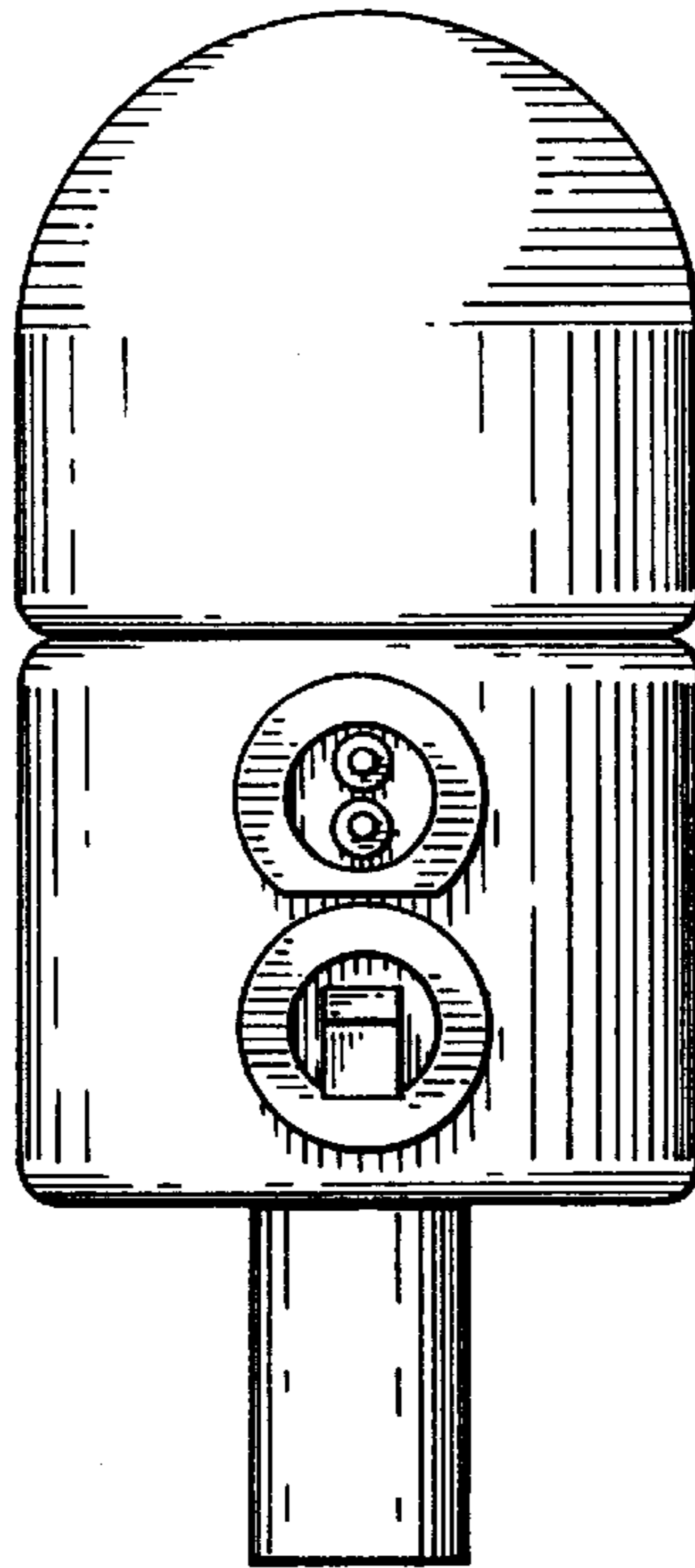


FIG. 2

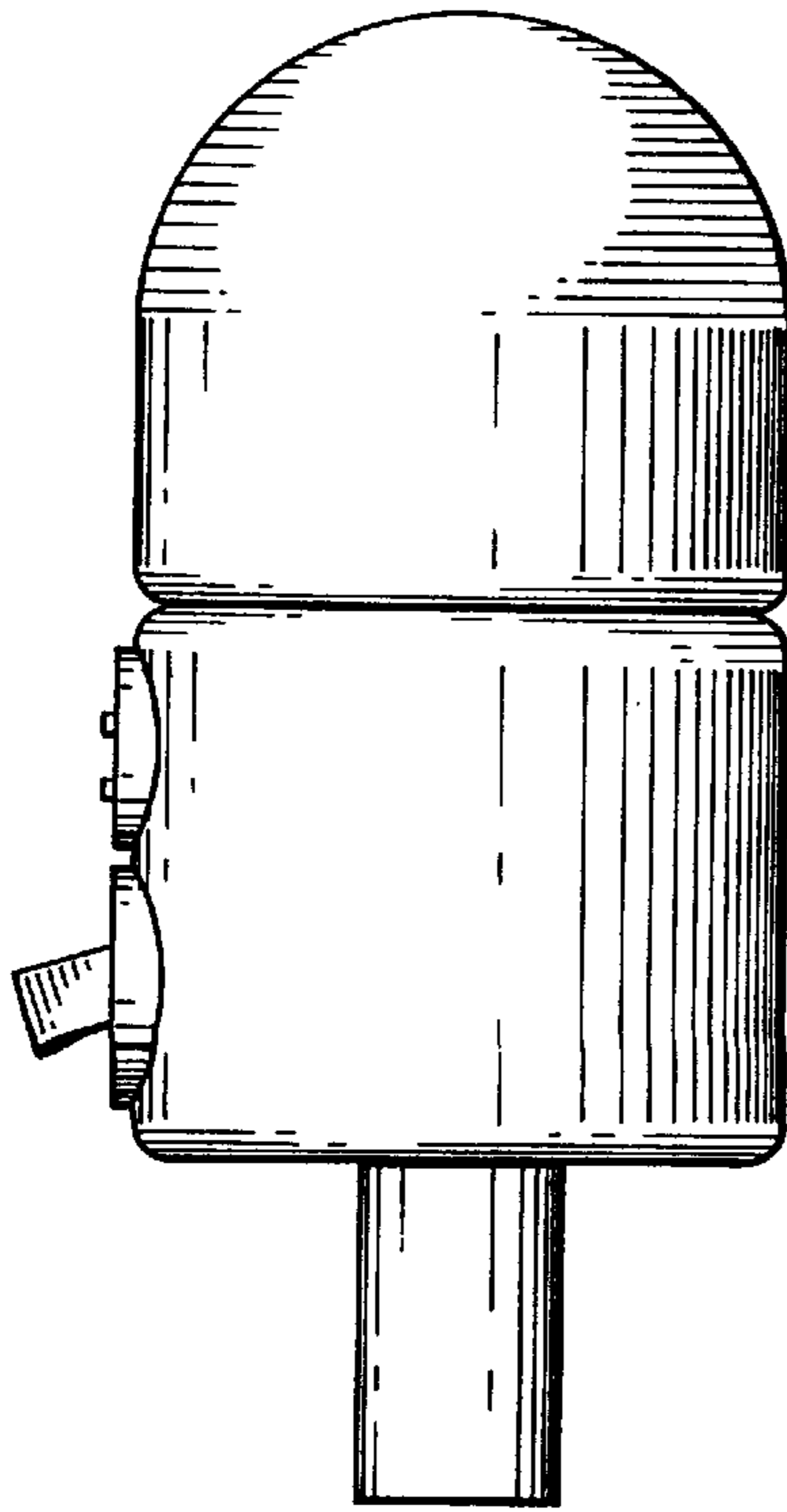


FIG. 4

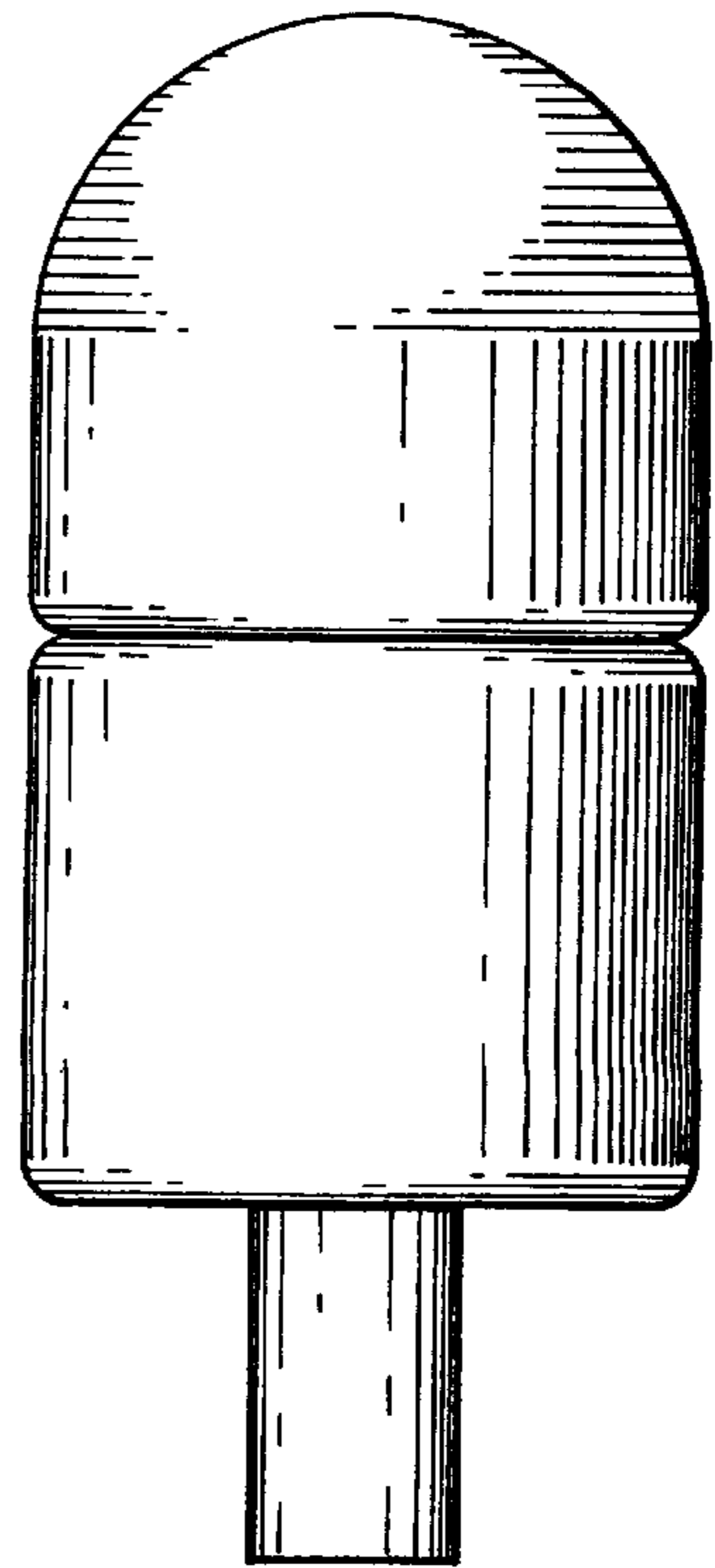


FIG. 5