



US00D412984S

United States Patent [19] Cover et al.

[11] Patent Number: Des. 412,984

[45] Date of Patent: ** Aug. 17, 1999

[54] SURGICAL SUCTION REGULATOR

5,607,139 3/1997 Kjellberg 604/905 X

[75] Inventors: Reid S. Cover, Mountain View;
Marius Popescu, San Jose, both of
Calif.

OTHER PUBLICATIONS

Arthrex Catalog Abstract for Model AR-6600 Suction
Regulator (1 page).

[73] Assignee: Stryker Corporation, Kalamazoo,
Mich.

Primary Examiner—Pamela Burgess
Attorney, Agent, or Firm—Flynn, Thiel, Boutell & Tanis,
P.C.

[**] Term: 14 Years

[21] Appl. No.: 29/065,054

[57] CLAIM

The ornamental designs for a surgical suction regulator, as
shown and described.

[22] Filed: Jan. 17, 1997

[51] LOC (6) Cl. 24-02

DESCRIPTION

[52] U.S. Cl. D24/129

[58] Field of Search D24/129, 112-114;
604/413, 283, 905, 249, 256, 326, 411,
280, 265, 30, 247; 128/276, 207.14

FIG. 1 is a top, front, right isometric view of a surgical
suction regulator embodying our new design in an exploded
position for clarity of illustration. It is understood that the
undisclosed top, rear, left isometric view is a mirror image
thereof;

[56] References Cited

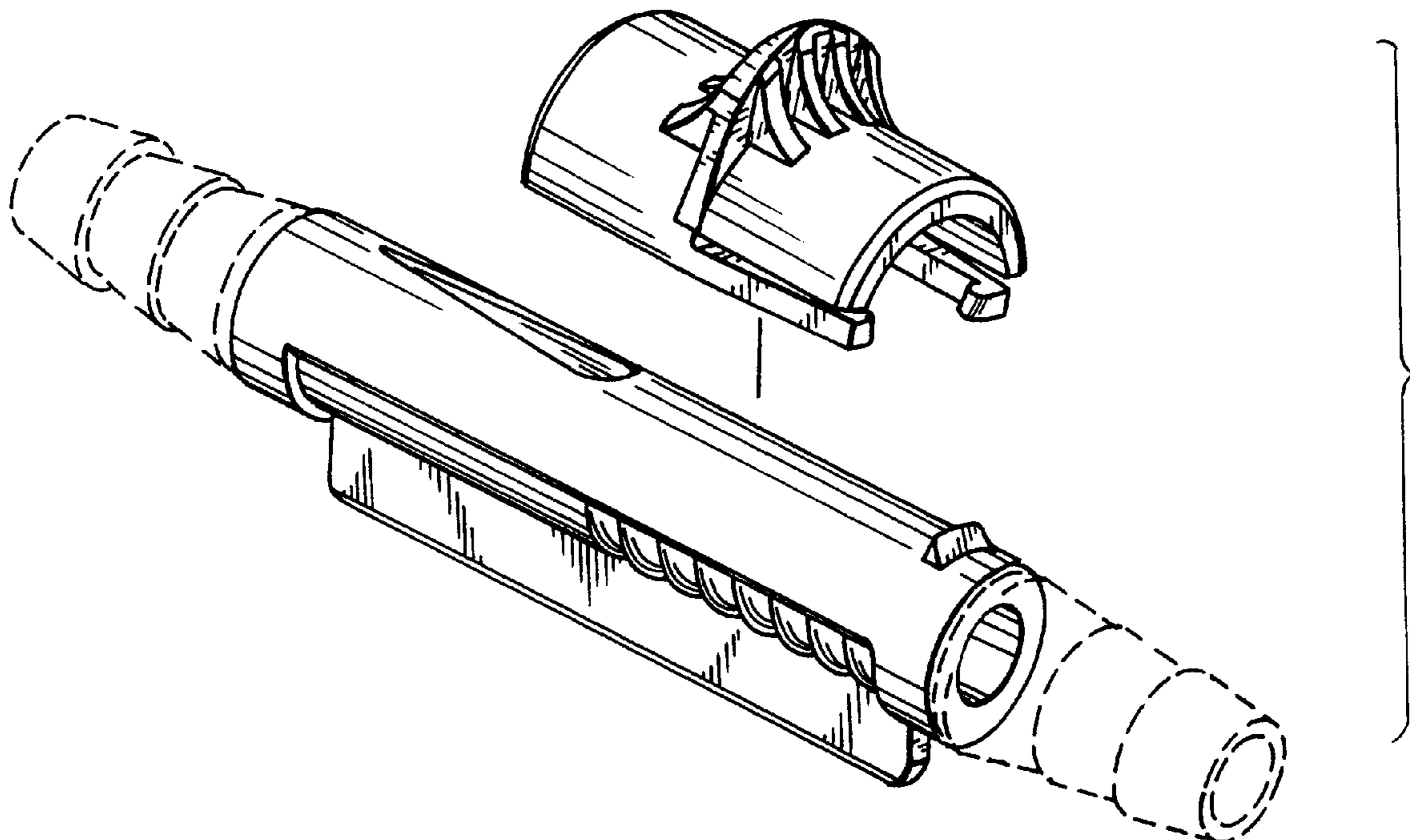
U.S. PATENT DOCUMENTS

D. 313,277	12/1990	Haining	D24/129
D. 324,568	3/1992	Marken	D24/129
4,356,823	11/1982	Jackson	128/276
5,000,175	3/1991	Pue	128/207.14
5,531,712	7/1996	Malcolm et al.	604/247
5,536,258	7/1996	Folden	604/905

FIG. 2 is a top plan view thereof; and,
FIG. 3 is a front elevational view thereof, the undisclosed
rear being a mirror image.

The broken lines showing tubular feedings in FIGS. 1-3 are
for illustrative purposes only and form no part of the claimed
design.

1 Claim, 1 Drawing Sheet



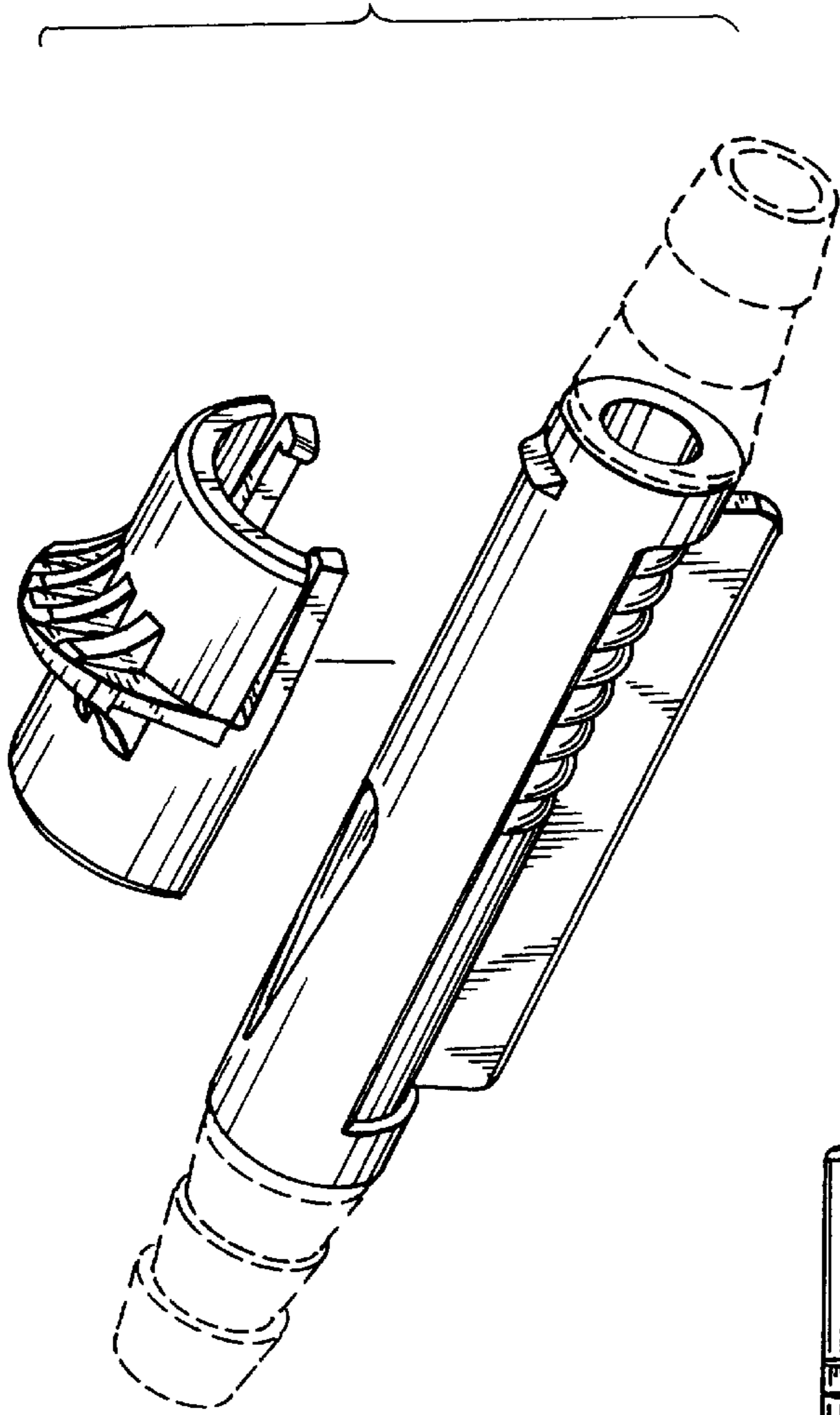


FIG. 1

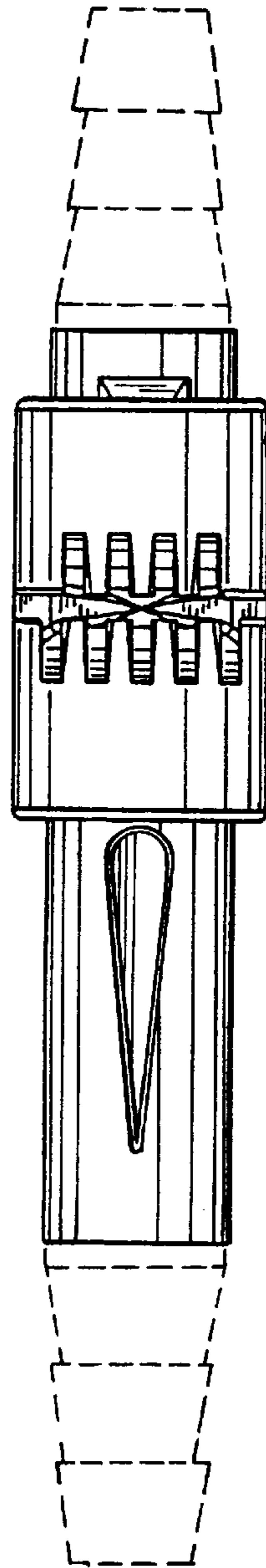


FIG. 2

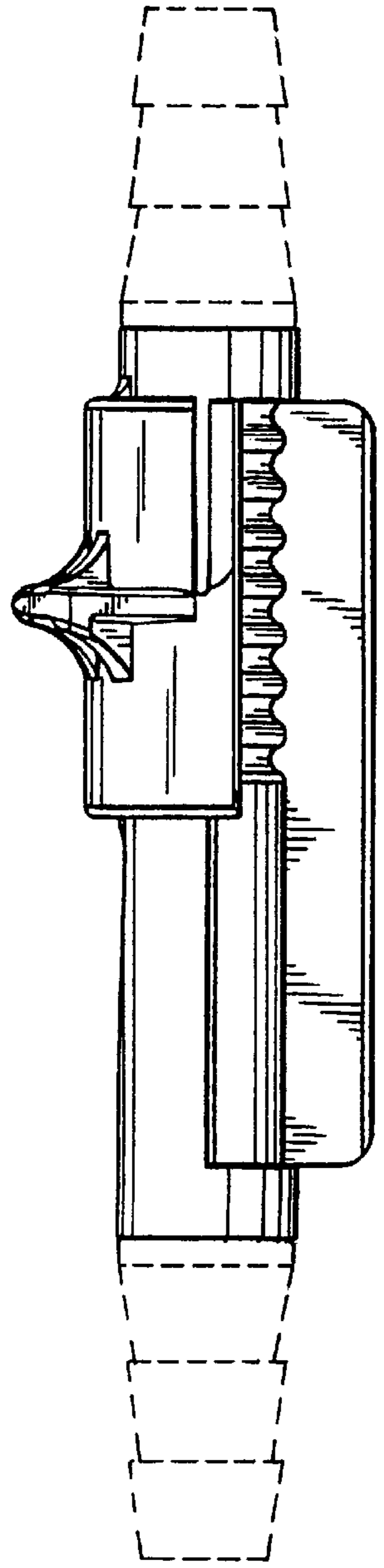


FIG. 3