



US00D412978S

# United States Patent [19] Cameron

[11] Patent Number: Des. 412,978

[45] Date of Patent: \*\* Aug. 17, 1999

[54] INHALER

5,794,613 8/1998 Piskorski ..... 128/203.12

[75] Inventor: Allan Cameron, Westlake Village, Calif.

### FOREIGN PATENT DOCUMENTS

[73] Assignee: Dura Pharmaceuticals, Inc., San Diego, Calif.

0 469 814 A1 7/1971 European Pat. Off. .  
2 142 246 5/1984 United Kingdom .  
2 242 134 3/1991 United Kingdom .  
WO 92/00771 1/1992 WIPO .  
WO 97/25086 7/1997 WIPO .

[\*\*] Term: 14 Years

Primary Examiner—Stella Reid  
Assistant Examiner—I Simmons  
Attorney, Agent, or Firm—Lyon & Lyon LLP

[21] Appl. No.: 29/080,351

[22] Filed: Dec. 2, 1997

[51] LOC (6) Cl. .... 29-02

[52] U.S. Cl. .... D24/110

[58] Field of Search ..... D24/110; 128/203.15,  
128/203.23, 200.12, 200.14, 203.12

### [57] CLAIM

The ornamental design for an inhaler, as shown and described.

### DESCRIPTION

### [56] References Cited

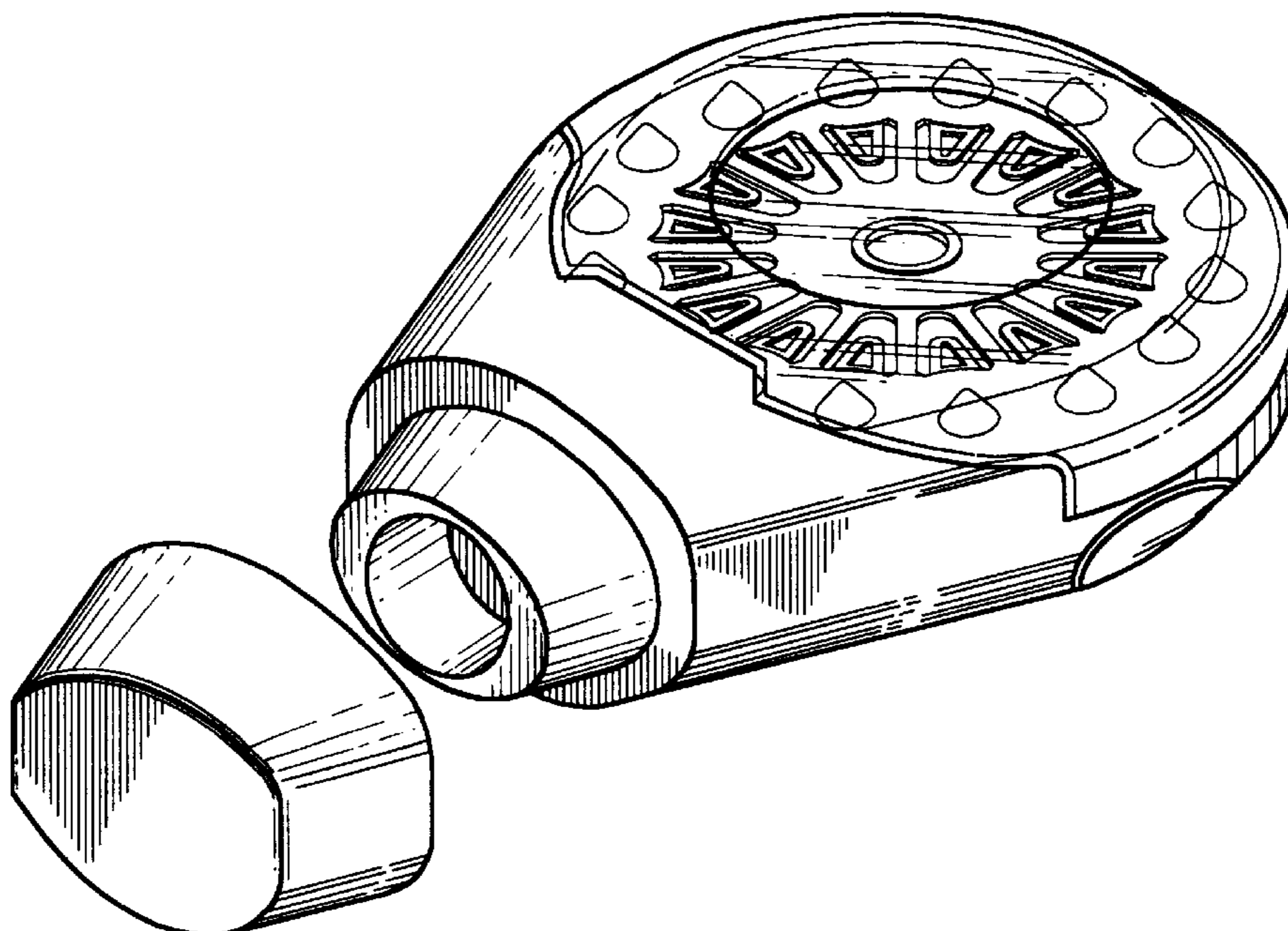
#### U.S. PATENT DOCUMENTS

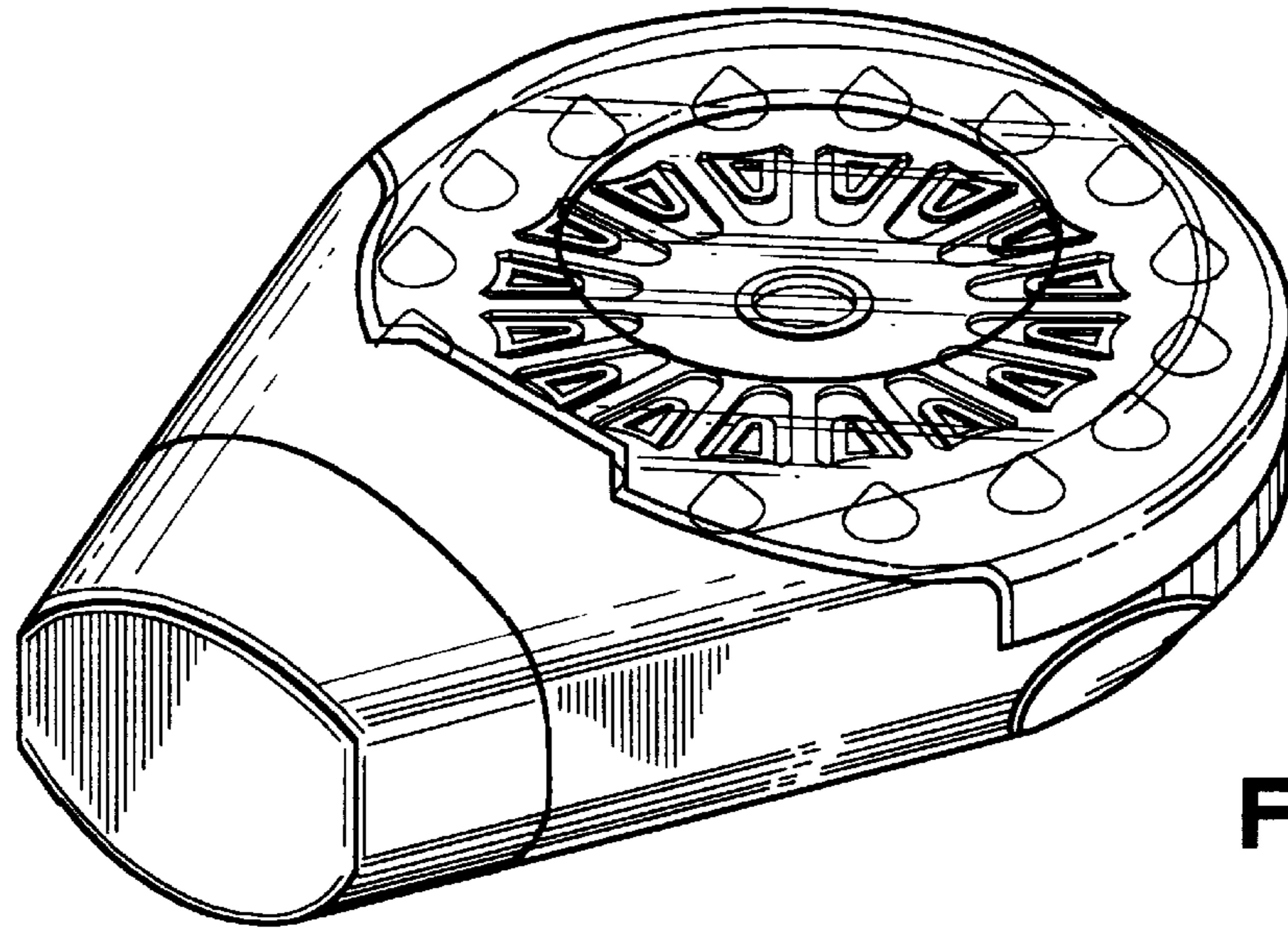
- D. 282,209 1/1986 Newell et al. .
- D. 299,066 12/1988 Newell et al. .
- D. 302,111 7/1989 Newell et al. .
- D. 379,506 5/1997 Maher ..... D24/110
- D. 384,283 9/1997 Davies et al. .
- D. 391,369 2/1998 Anderson ..... D24/110
- D. 395,499 6/1998 Eisele et al. .... D24/110
- 4,627,432 12/1986 Newell et al. .
- 4,860,740 8/1989 Kirk et al. .
- 4,971,221 11/1990 Urquhart et al. .
- 5,035,237 7/1991 Newell et al. .
- 5,165,391 11/1992 Chiesi et al. .... D24/110 X
- 5,239,993 8/1993 Evans .
- 5,492,112 2/1996 Mecikalski et al. .
- 5,622,166 4/1997 Eisele et al. .
- 5,645,051 7/1997 Schultz et al. .

FIG. 1 is top, front and right side perspective view of an inhaler, shown with the mouth piece cover on;  
FIG. 2 is a similar view thereof, shown with the mouth piece cover removed;  
FIG. 3 is a top view thereof, with various features visible through the transparent cover;  
FIG. 4 is a right side view thereof;  
FIG. 5 is a bottom view thereof;  
FIG. 6 is a back view thereof;  
FIG. 7 is a front view thereof; and,  
FIG. 8 is a left side view thereof.

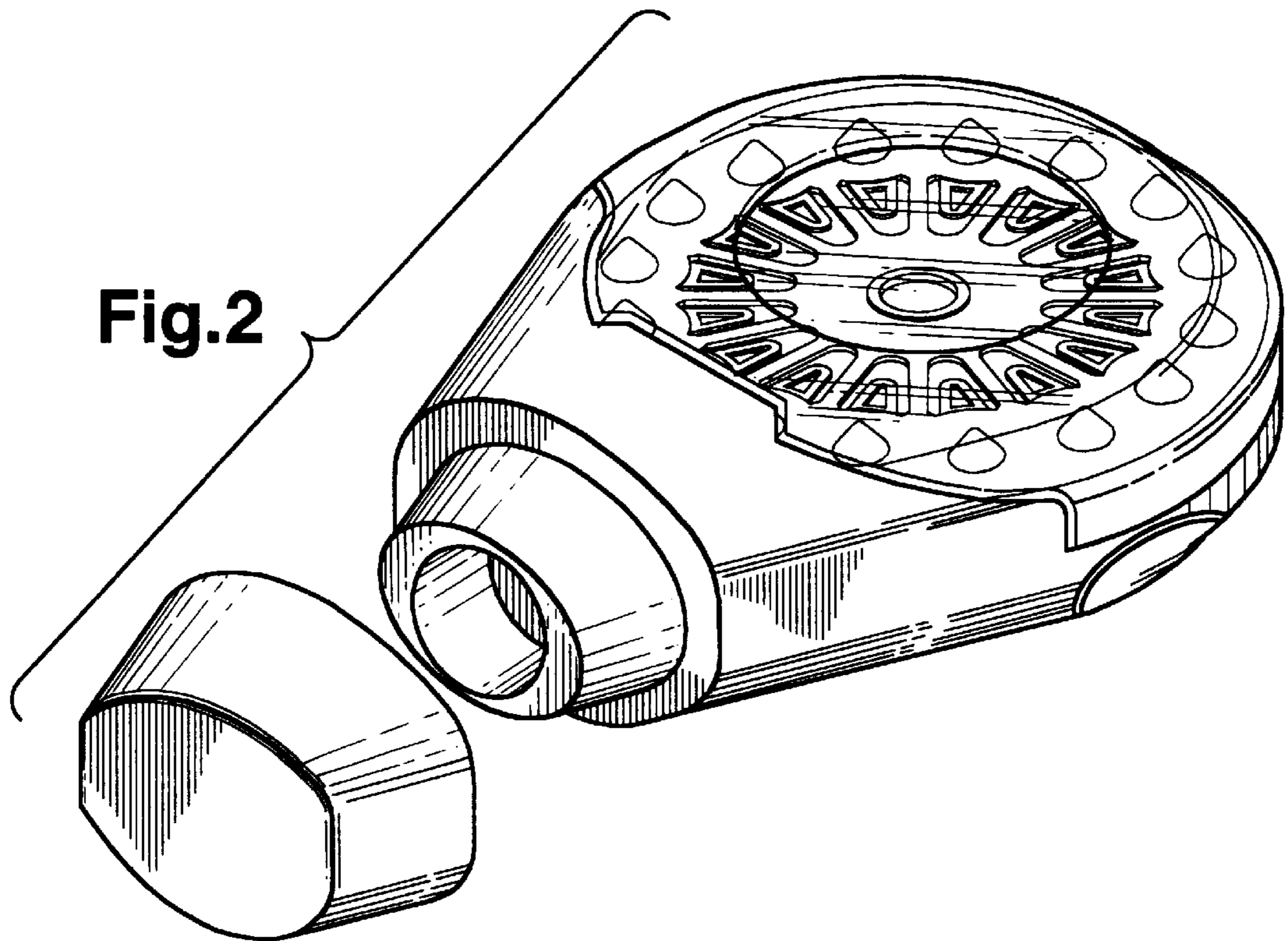
The conical features visible through the transparent cover are equally spaced apart on a circle, as shown in FIG. 3, the perspective views of FIGS. 1 and 2 showing only some of the conical features.

1 Claim, 3 Drawing Sheets

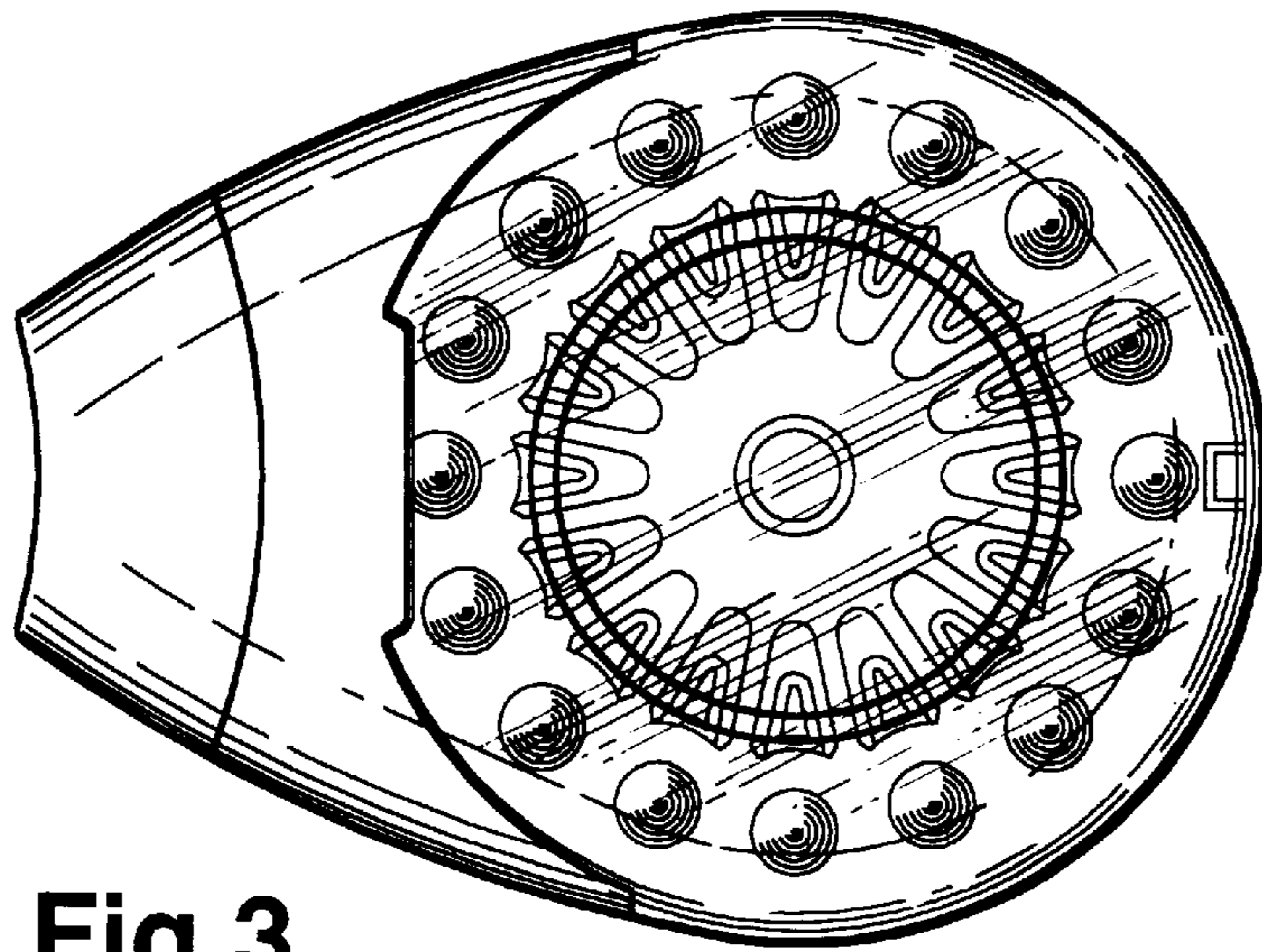




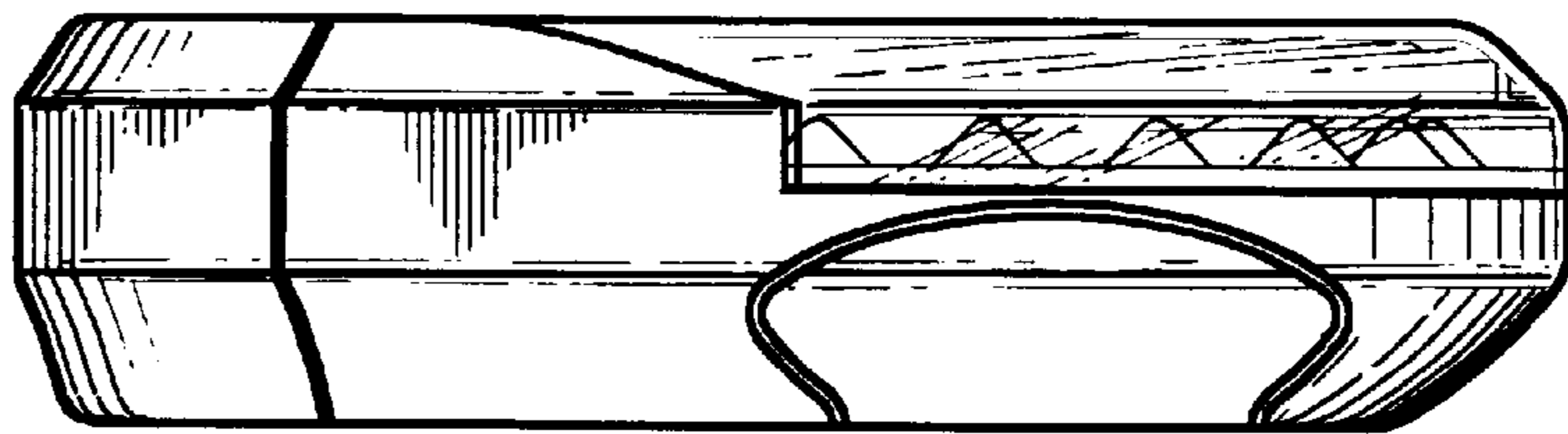
**Fig.1**



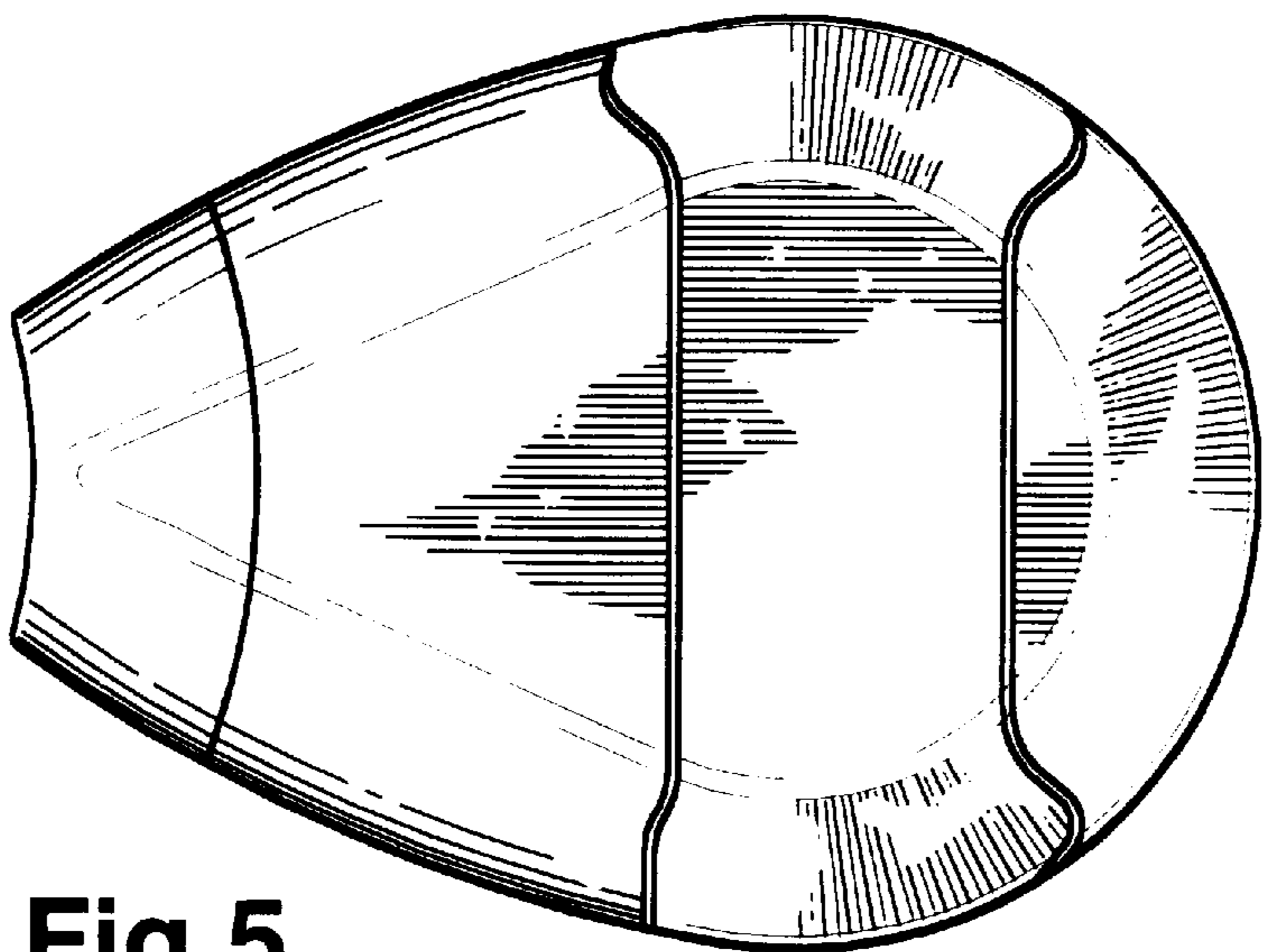
**Fig.2**



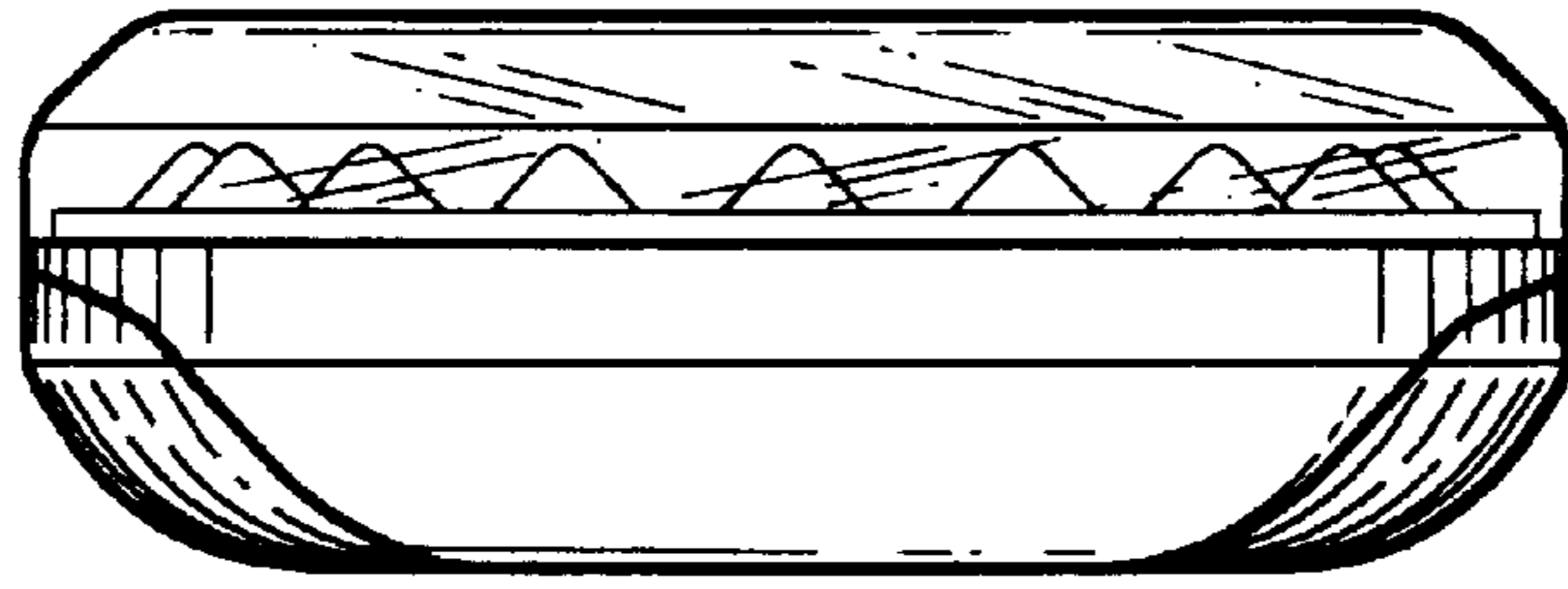
**Fig.3**



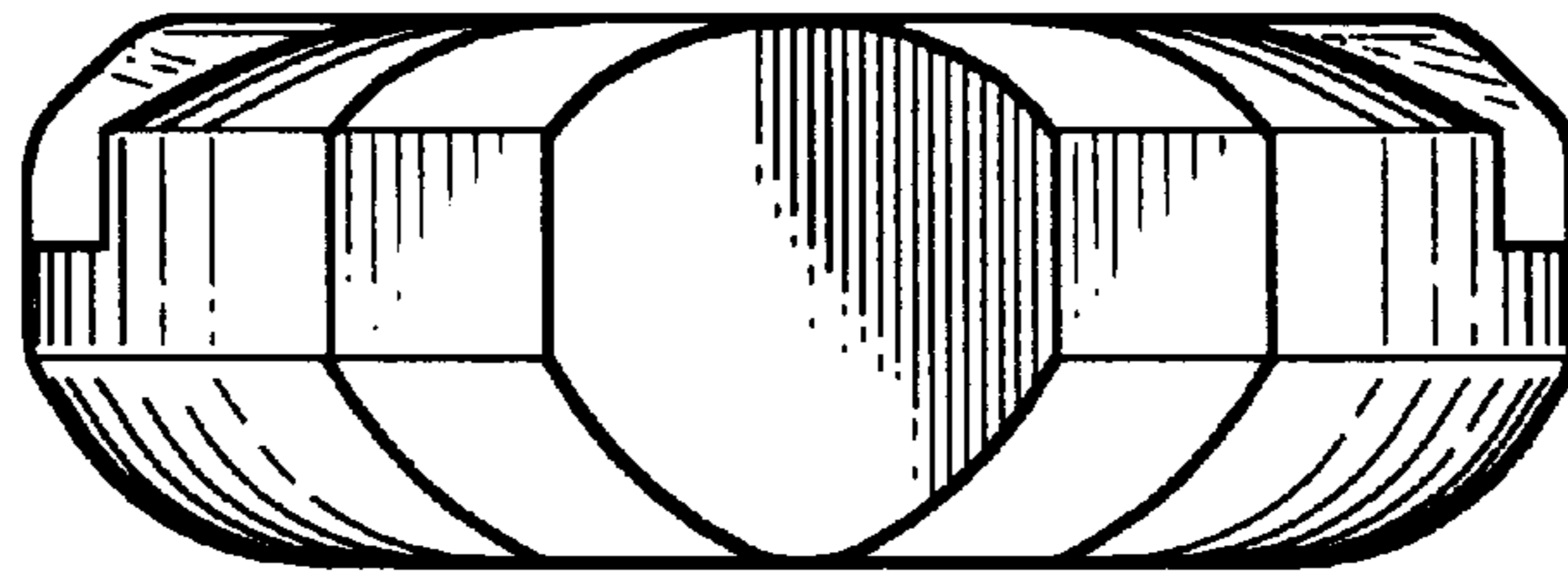
**Fig.4**



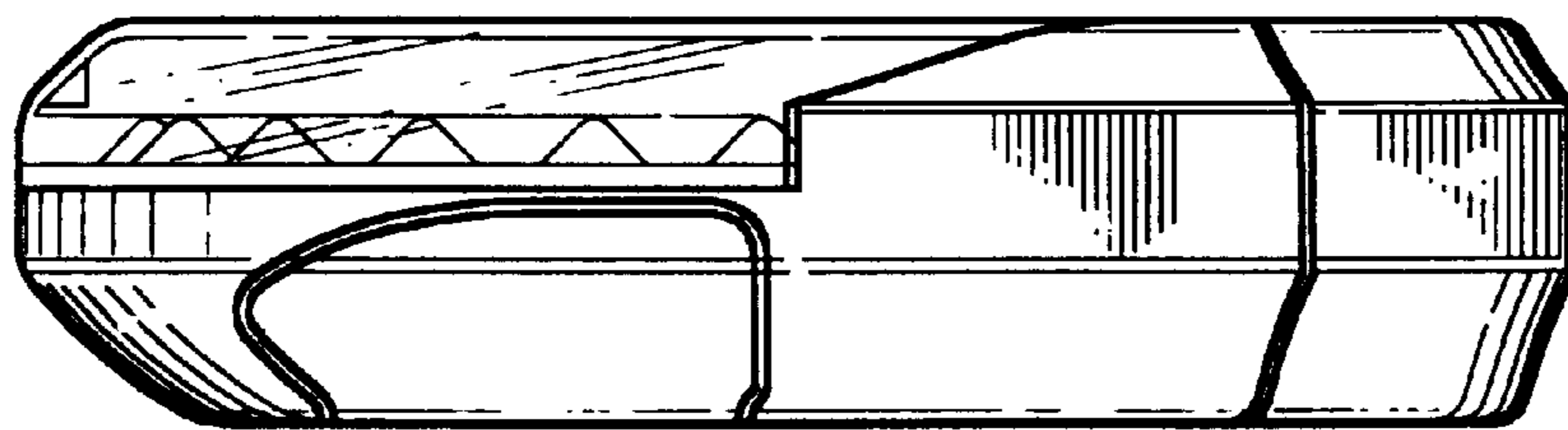
**Fig.5**



**Fig.6**



**Fig.7**



**Fig.8**