



US00D412975S

**United States Patent** [19]  
**Jaspers-Fayer et al.**

[11] **Patent Number: Des. 412,975**  
[45] **Date of Patent: \*\* Aug. 17, 1999**

[54] **CEILING FAN**

D. 352,997 11/1994 DiPasquale ..... D23/379  
4,342,073 7/1982 Ranten ..... D23/377

[75] Inventors: **Jan Jaspers-Fayer**, Idyllwild; **Dean Dal Ponte**, Los Angeles, both of Calif.

**OTHER PUBLICATIONS**

[73] Assignee: **Minka Lighting, Inc.**, Corona, Calif.

Key Wester Collection Adv. Brochure, Back Cover, Ceiling Fan A, Top Right Side of Page.

[\*\*] Term: **14 Years**

*Primary Examiner*—Lisa Lichtenstein  
*Attorney, Agent, or Firm*—Jenkins & Gilchrist, P.C.

[21] Appl. No.: **29/089,530**

[22] Filed: **Jun. 16, 1998**

[57] **CLAIM**

**Related U.S. Application Data**

An ornamental design for a ceiling fan, as shown and described.

[62] Division of application No. 29/055,578, Jun. 7, 1996, abandoned, which is a continuation of application No. 29/017,919, Jan. 25, 1994, abandoned.

**DESCRIPTION**

[51] **LOC (6) Cl.** ..... **23-04**

FIG. 1 is a bottom plan view of a ceiling fan showing my new design;

[52] **U.S. Cl.** ..... **D23/377; D23/379; D23/385**

FIG. 2 is a side elevational view thereof the otherside being substantially identical; and,

[58] **Field of Search** ..... D23/377, 379, D23/385, 411; 416/5; 392/364; 362/96

FIG. 3 is a top plan view thereof.

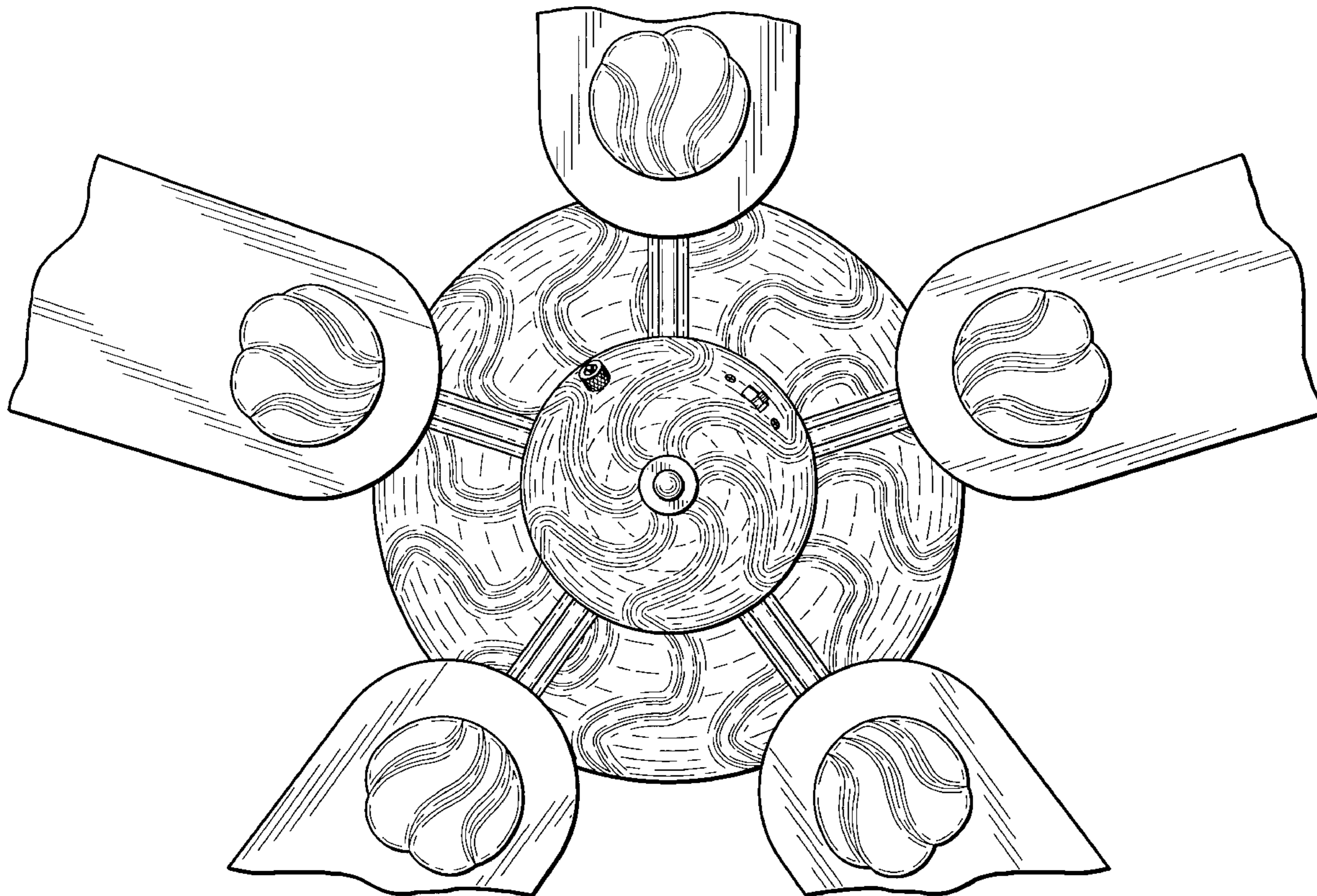
The blades and support rod have been shown broken away to indicate indeterminate length.

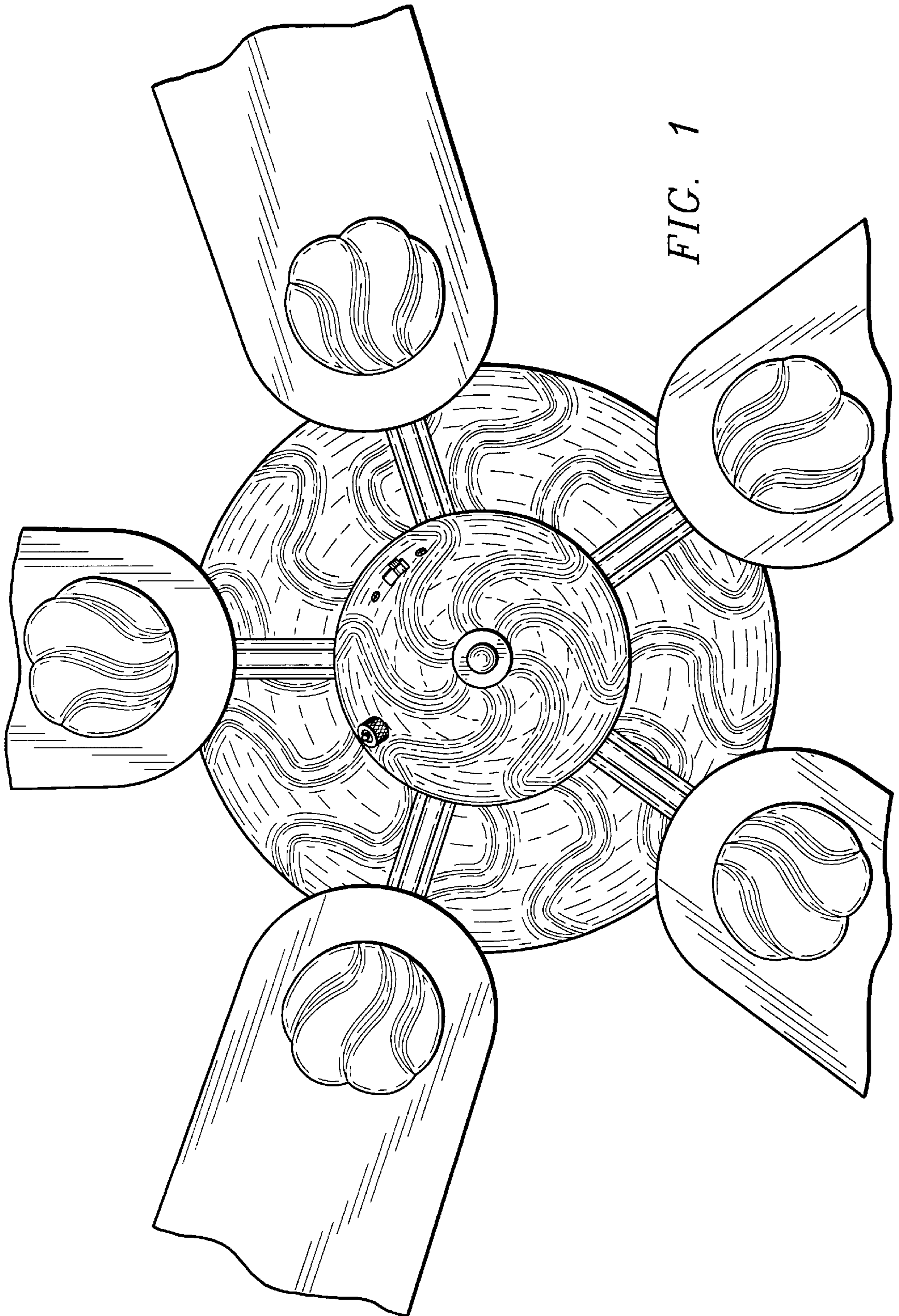
[56] **References Cited**

**U.S. PATENT DOCUMENTS**

D. 314,046 1/1991 Yen ..... D23/377

**1 Claim, 3 Drawing Sheets**





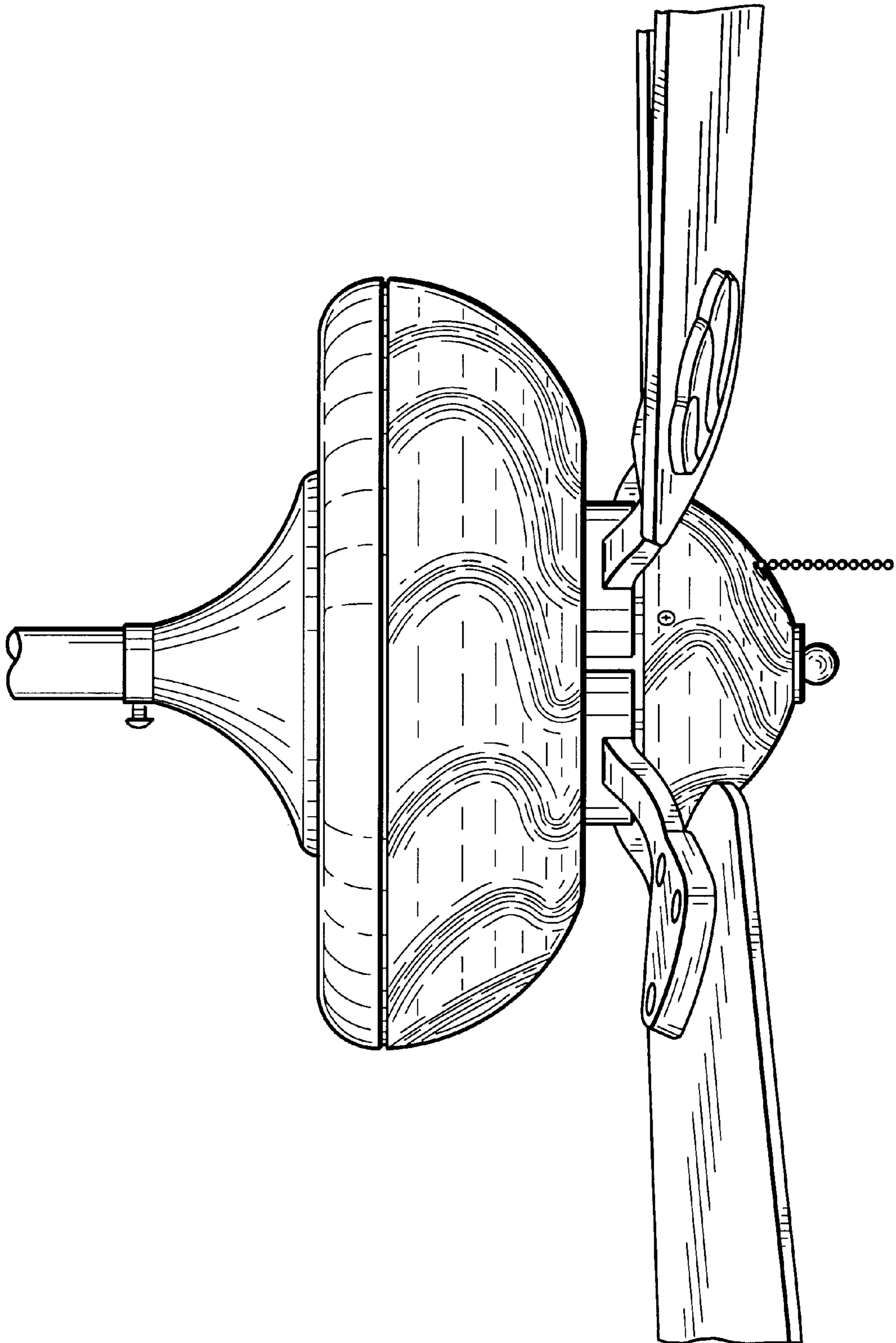


FIG. 2

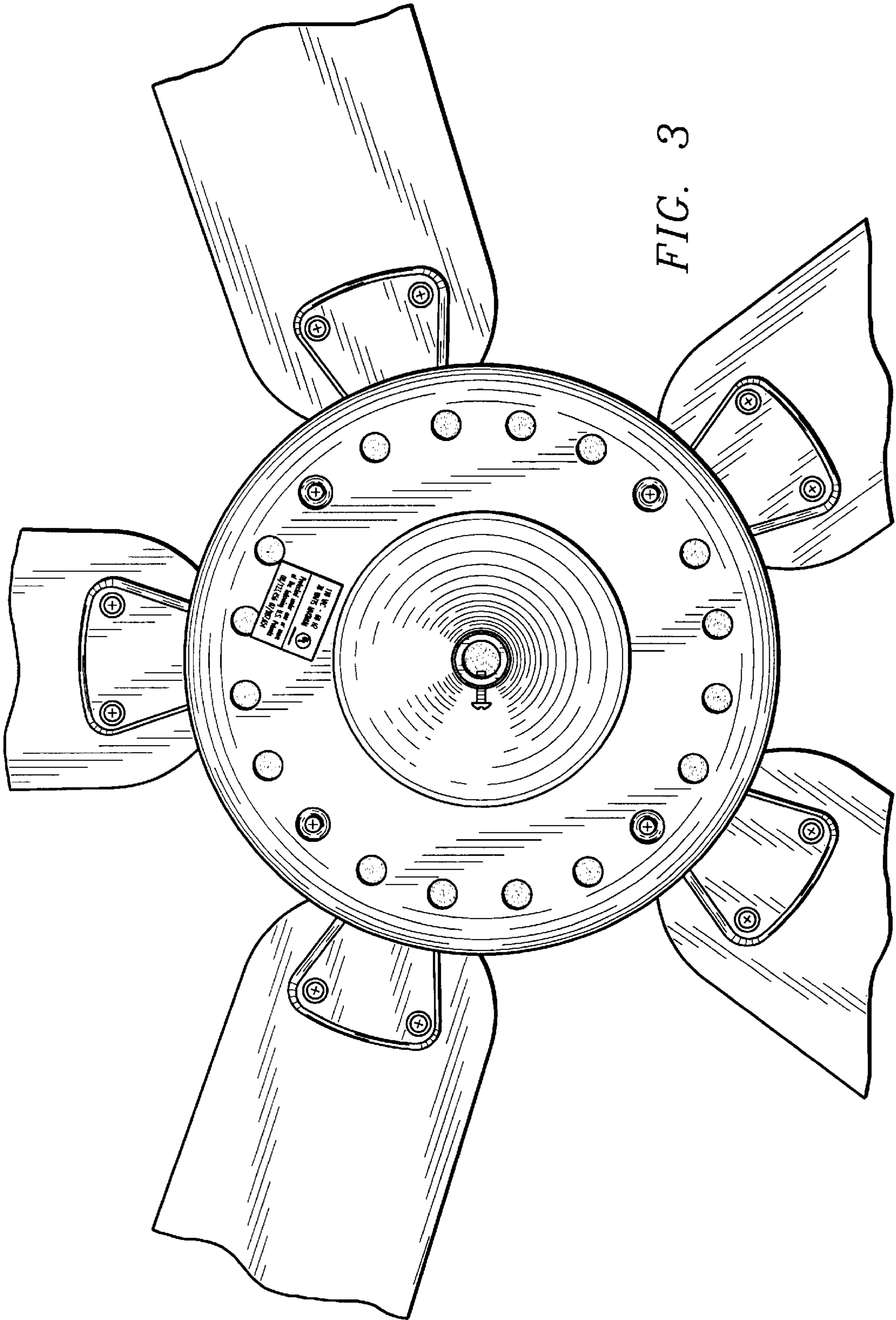


FIG. 3

UNITED STATES PATENT AND TRADEMARK OFFICE  
**CERTIFICATE OF CORRECTION**

PATENT NO. : Des. 412,975  
DATED : August 17, 1999  
INVENTOR(S) : Jan Jaspers-Fayer

Page 1 of 1

It is certified that error appears in the above-identified patent and that said Letters Patent is hereby corrected as shown below:

Title page,

Item [75], “**Dean Dal Ponte**, Los Angeles, both of Calif.” should be removed and the line item should read as follows: -- [75] Inventor: **Jan Jaspers-Fayer**, Idyllwild, CA --

Signed and Sealed this

Tenth Day of June, 2003

A handwritten signature in black ink, appearing to read "James E. Rogan", with a horizontal line drawn underneath it.

JAMES E. ROGAN  
*Director of the United States Patent and Trademark Office*