



US00D412974S

United States Patent [19]

Birsel et al.

[11] Patent Number: Des. 412,974

[45] Date of Patent: ** *Aug. 17, 1999

[54] WATER CLOSET

D. 347,496 5/1994 Wei D23/301
D. 370,720 6/1996 Kaiser D23/301
D. 379,496 5/1997 Kolsdmurd et al. D23/301

[75] Inventors: **Ayse Birsel**, Kitakyushi; **Koichi Watanabe**, Kitakyushu, both of Japan

[73] Assignee: **Toto Ltd.**, Fukuoka-Ken, Japan

[*] Notice: This patent is subject to a terminal disclaimer.

[**] Term: **14 Years**

[21] Appl. No.: **29/051,838**

[22] Filed: **Dec. 29, 1995**

Related U.S. Application Data

[63] Continuation-in-part of application No. 29/041,749, Jul. 24, 1995, Pat. No. Des. 382,046.

[51] LOC (6) Cl. **23-01**

[52] U.S. Cl. **D23/301**

[58] Field of Search D23/295, 298,
D23/299, 300, 301; 4/300, 353, 421, 424,
428, 430, 664, DIG. 2

[56] References Cited

U.S. PATENT DOCUMENTS

D. 311,242 10/1990 Reid D23/301

Primary Examiner—Louis S. Zarfes
Assistant Examiner—Eric Watterson
Attorney, Agent, or Firm—Finnegan, Henderson, Farabow, Garrett, & Dunner, L.L.P.

[57] CLAIM

The ornamental design for a water closet, as shown and described.

DESCRIPTION

FIG. 1 is a perspective view of a water closet embodying our new design;
FIG. 2 is a front elevational view thereof;
FIG. 3 is a top plan view thereof;
FIG. 4 is a rear elevational view thereof;
FIG. 5 is a bottom plan view thereof;
FIG. 6 is a right side view thereof;
FIG. 7 is a left side view thereof; and,
FIG. 8 is a cross-sectional view thereof taken along line 8—8 in FIG. 2.

1 Claim, 5 Drawing Sheets

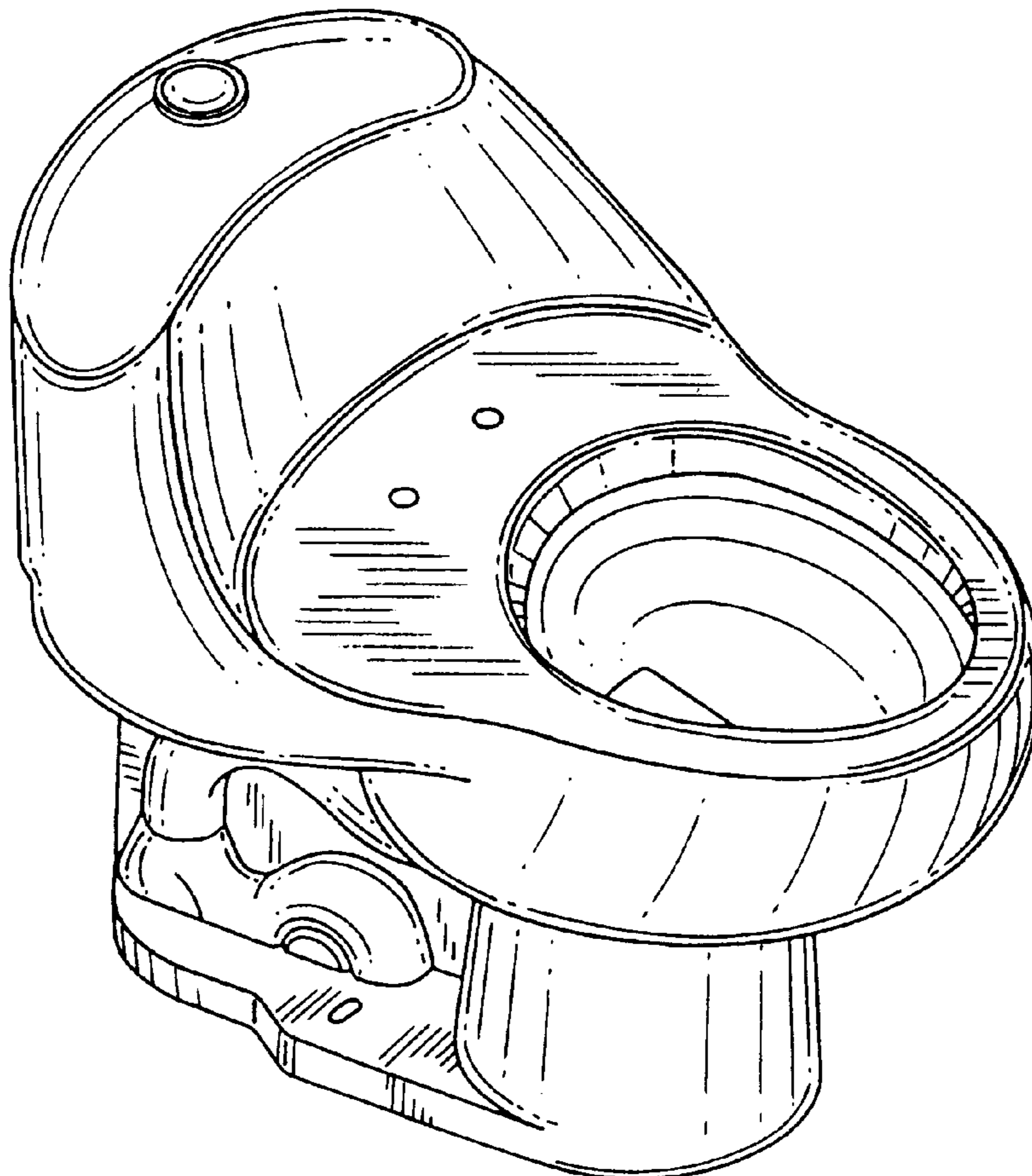


FIG. 1

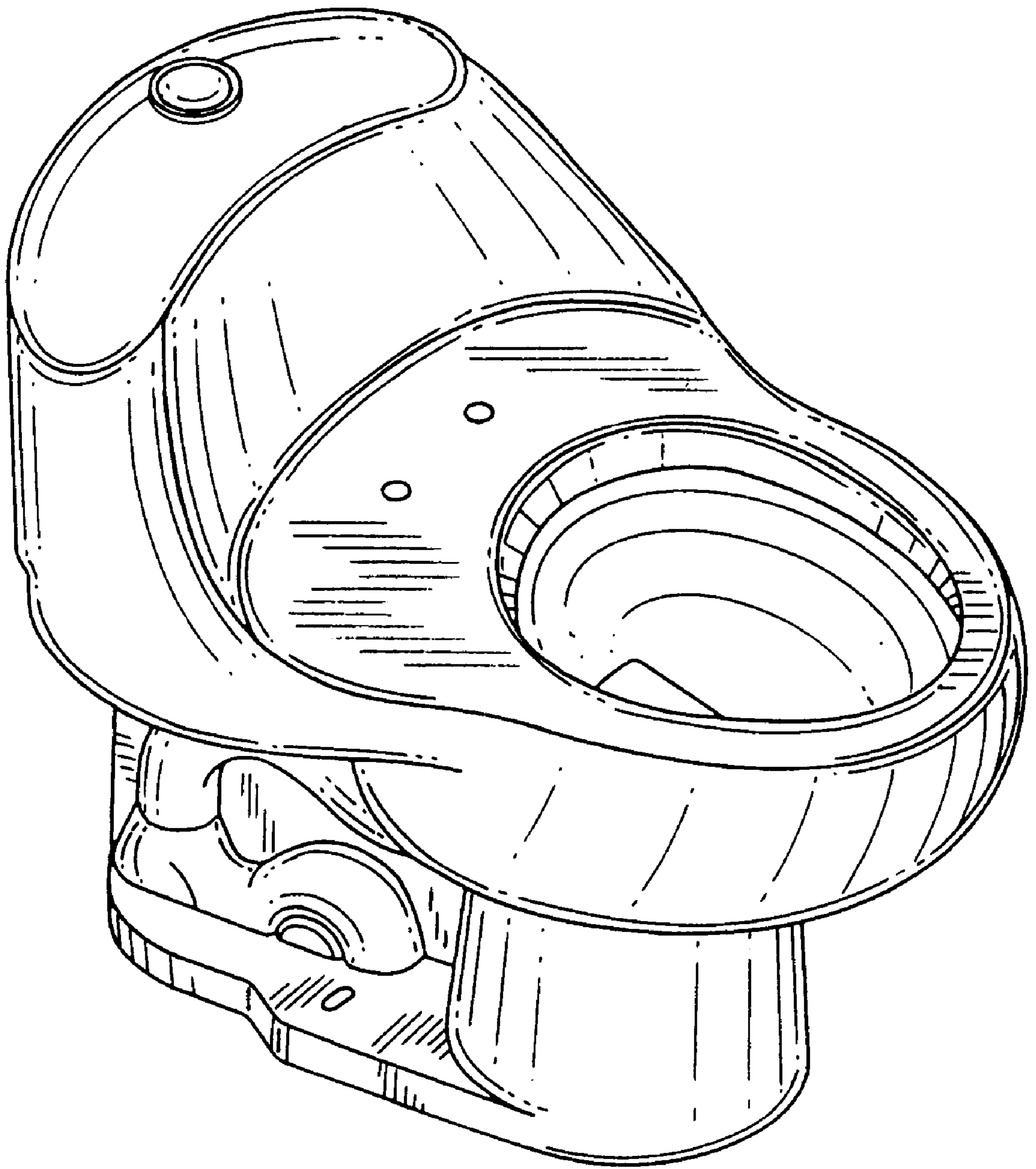


FIG. 3

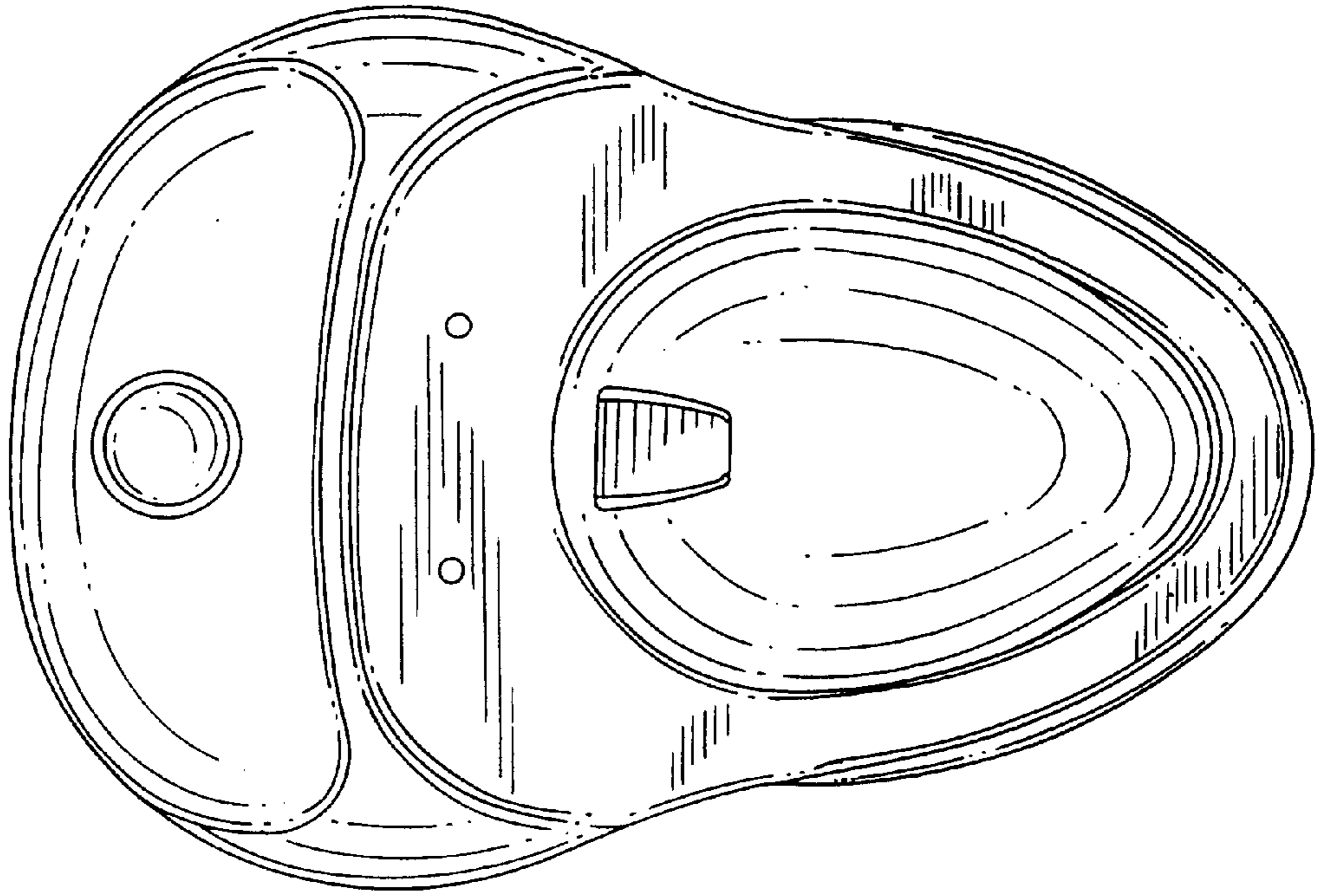


FIG. 2

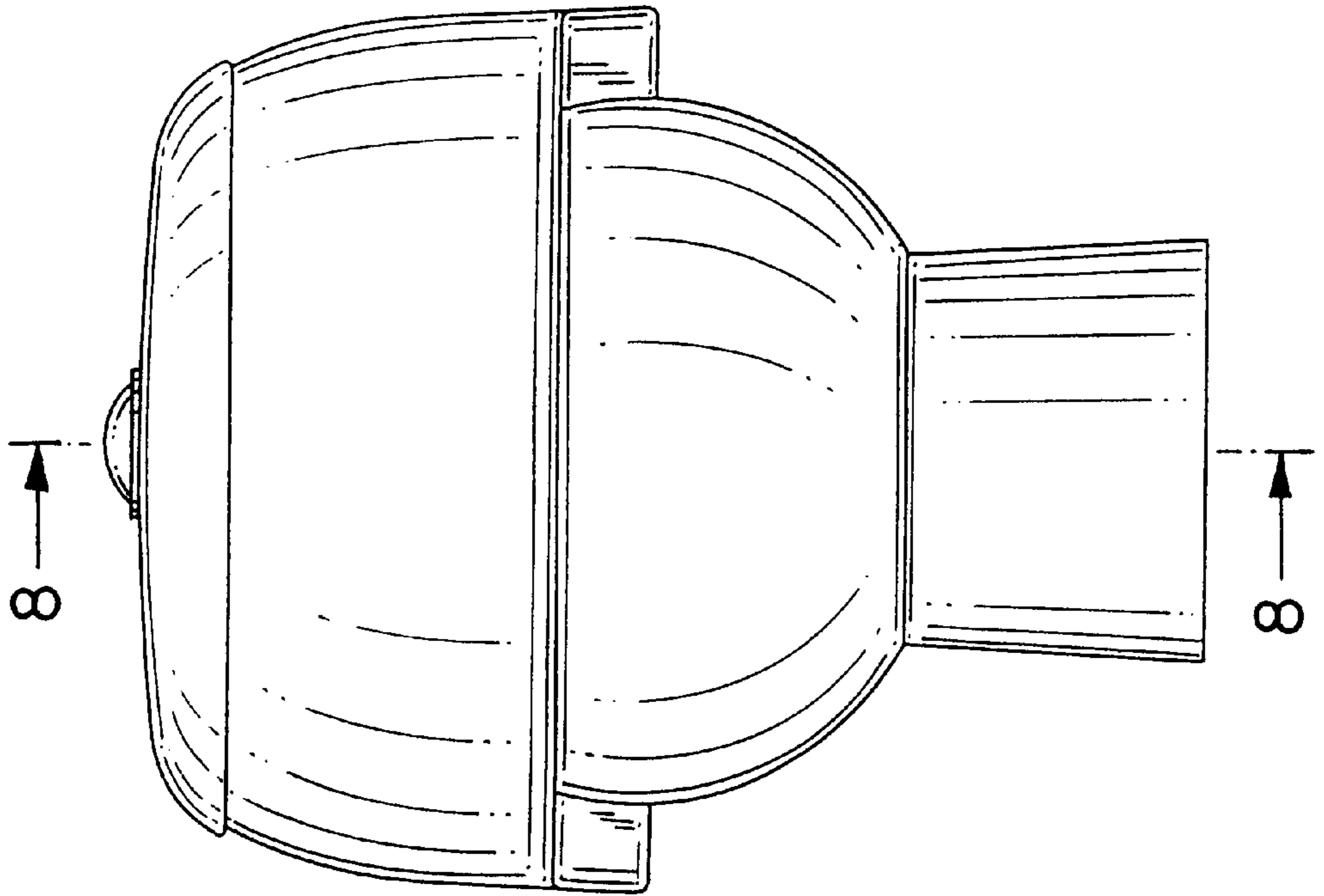


FIG. 5

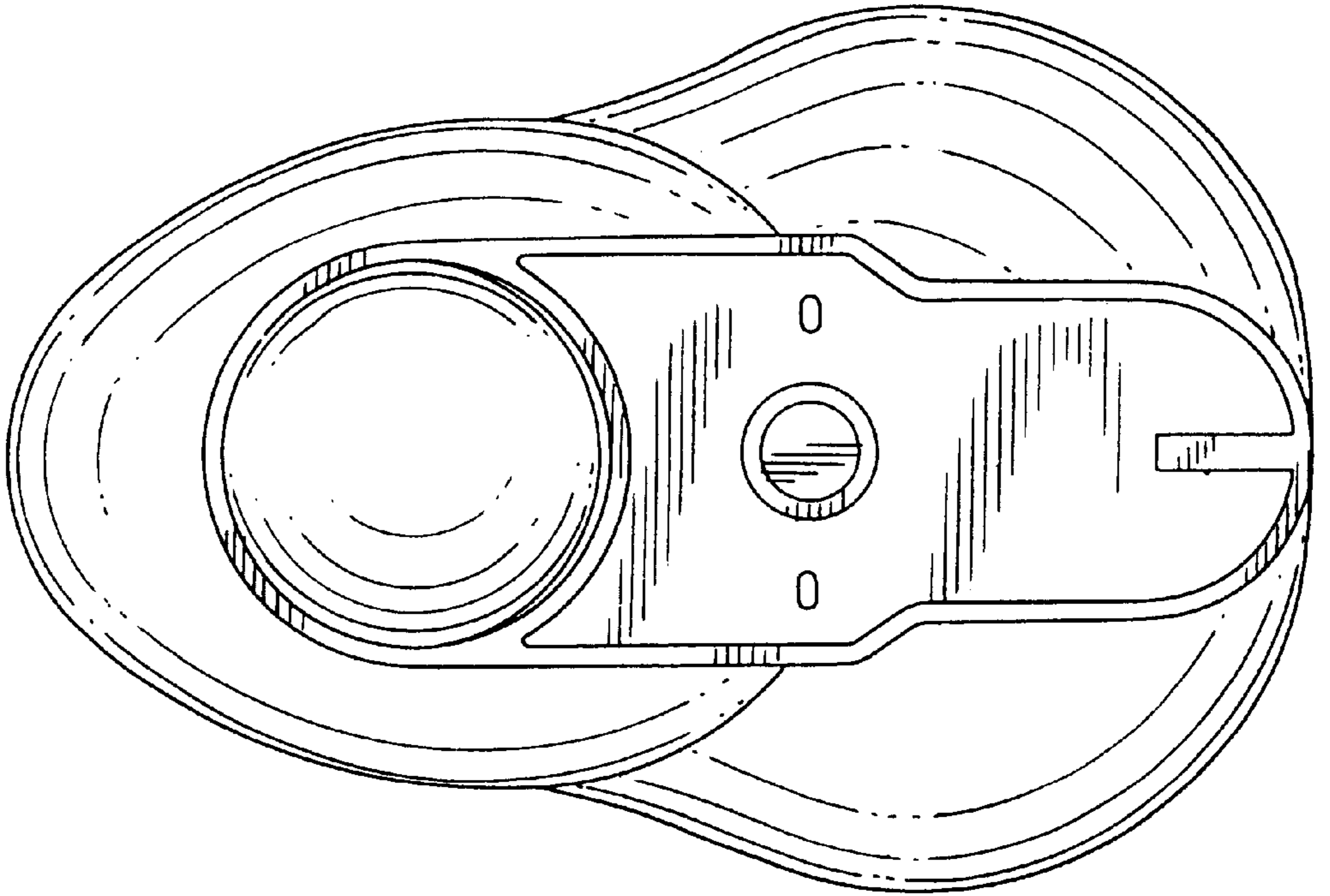


FIG. 4

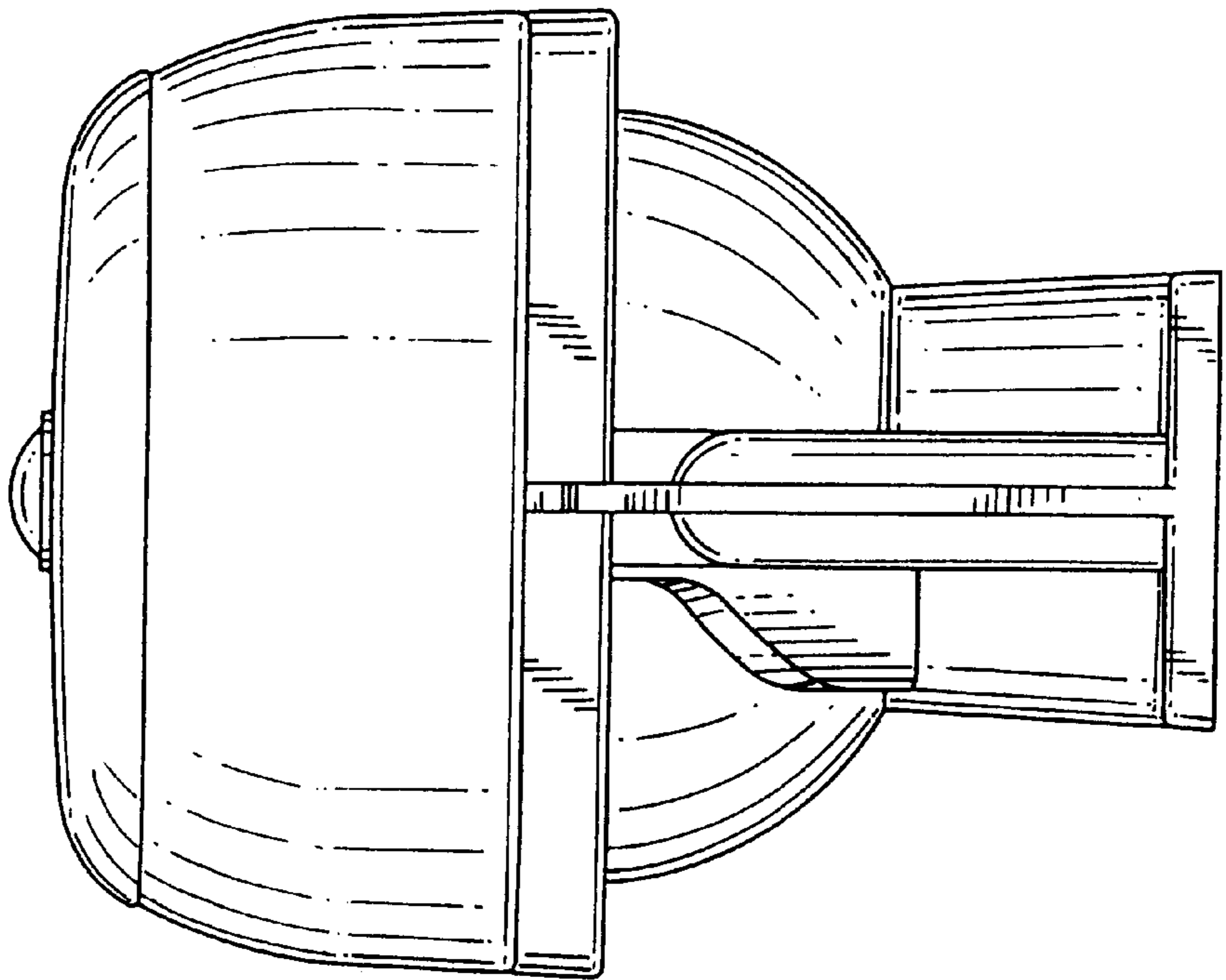


FIG. 6

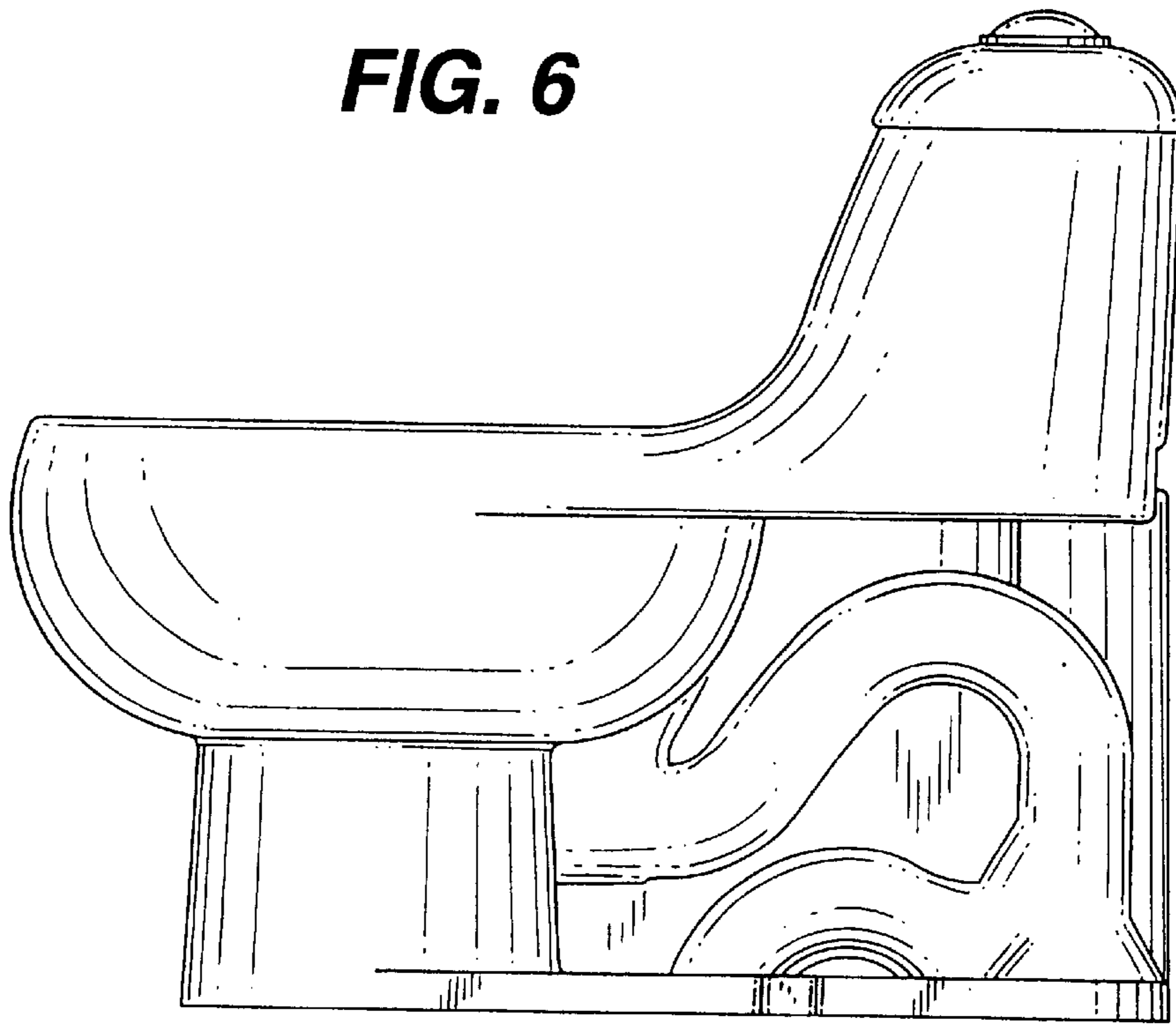


FIG. 7

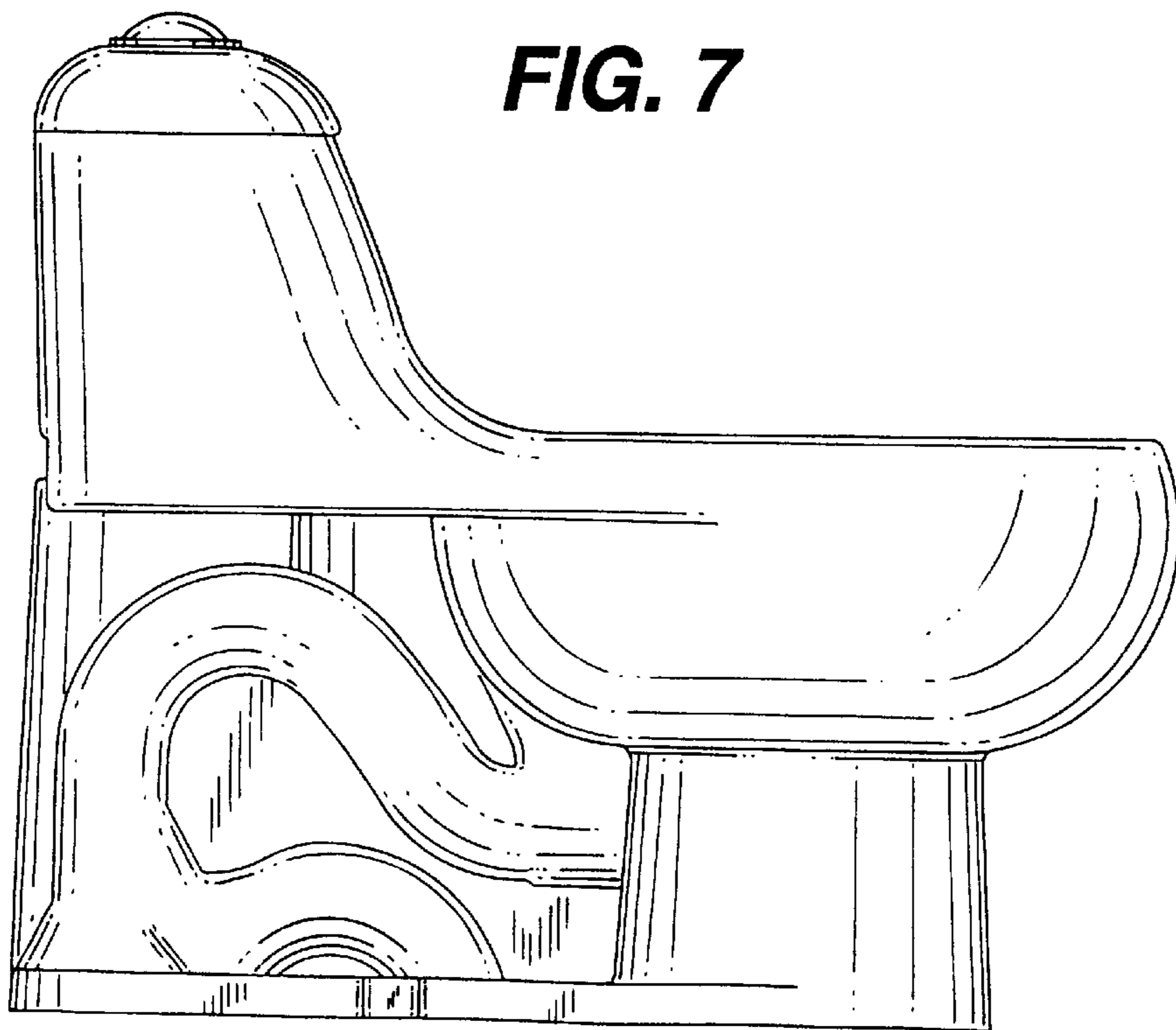


FIG. 8

