



US00D412973S

United States Patent [19]
Donnely

[11] **Patent Number: Des. 412,973**

[45] **Date of Patent: ** Aug. 17, 1999**

[54] **STANDING BATH**

[75] Inventor: **Steve Donnely**, Beauce, Canada

[73] Assignee: **Maax Inc.**, Québec, Canada

[**] Term: **14 Years**

[21] Appl. No.: **29/093,987**

[22] Filed: **Sep. 22, 1998**

[30] **Foreign Application Priority Data**

Jun. 30, 1998 [CA] Canada 1998-1570

[51] **LOC (6) Cl.** **23-01**

[52] **U.S. Cl.** **D23/277**

[58] **Field of Search** D23/277-280.4,
D23/201-205; 4/546, 548, 551-590

[56] **References Cited**

U.S. PATENT DOCUMENTS

D. 353,656 12/1994 Smith D23/277

D. 355,963 2/1995 Formgren et al. D23/277
D. 373,411 9/1996 Eeckhoudt D23/277
D. 382,945 8/1997 Hansen et al. D23/277
D. 387,870 12/1997 Larsen D24/204
D. 399,306 10/1998 Hansen D23/277

Primary Examiner—Louis S. Zarfes
Assistant Examiner—Eric Watterson
Attorney, Agent, or Firm—Staas & Halsey

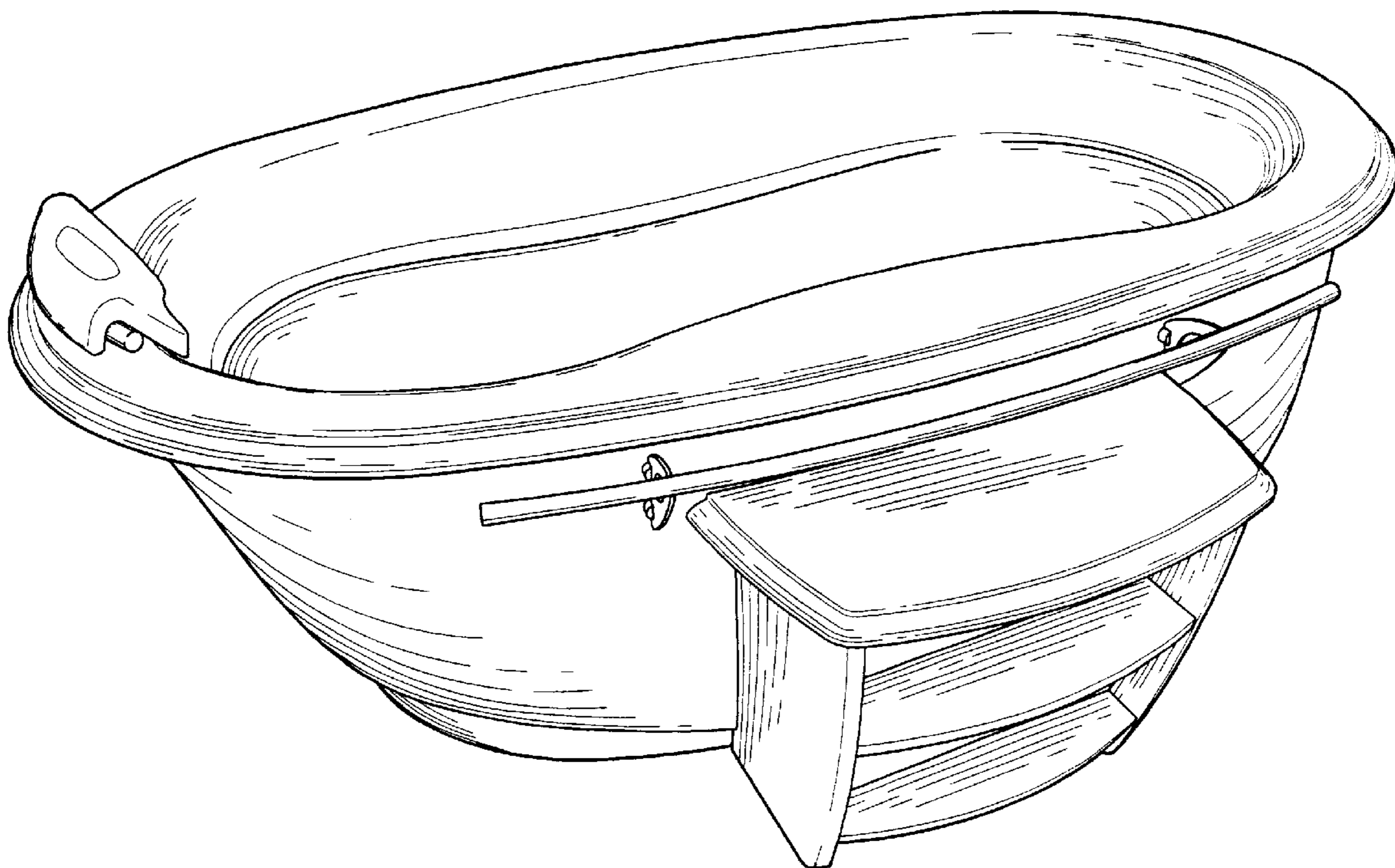
[57] **CLAIM**

The ornamental design for a standing bath, as shown.

DESCRIPTION

FIG. 1 is a perspective view of the standing bath;
FIG. 2 is a back perspective view of the standing bath;
FIG. 3 is a front view of the standing bath;
FIG. 4 is a top view of the standing bath; and,
FIG. 5 is a left side elevational view of the standing bath, the
opposite side being a mirror image.

1 Claim, 5 Drawing Sheets



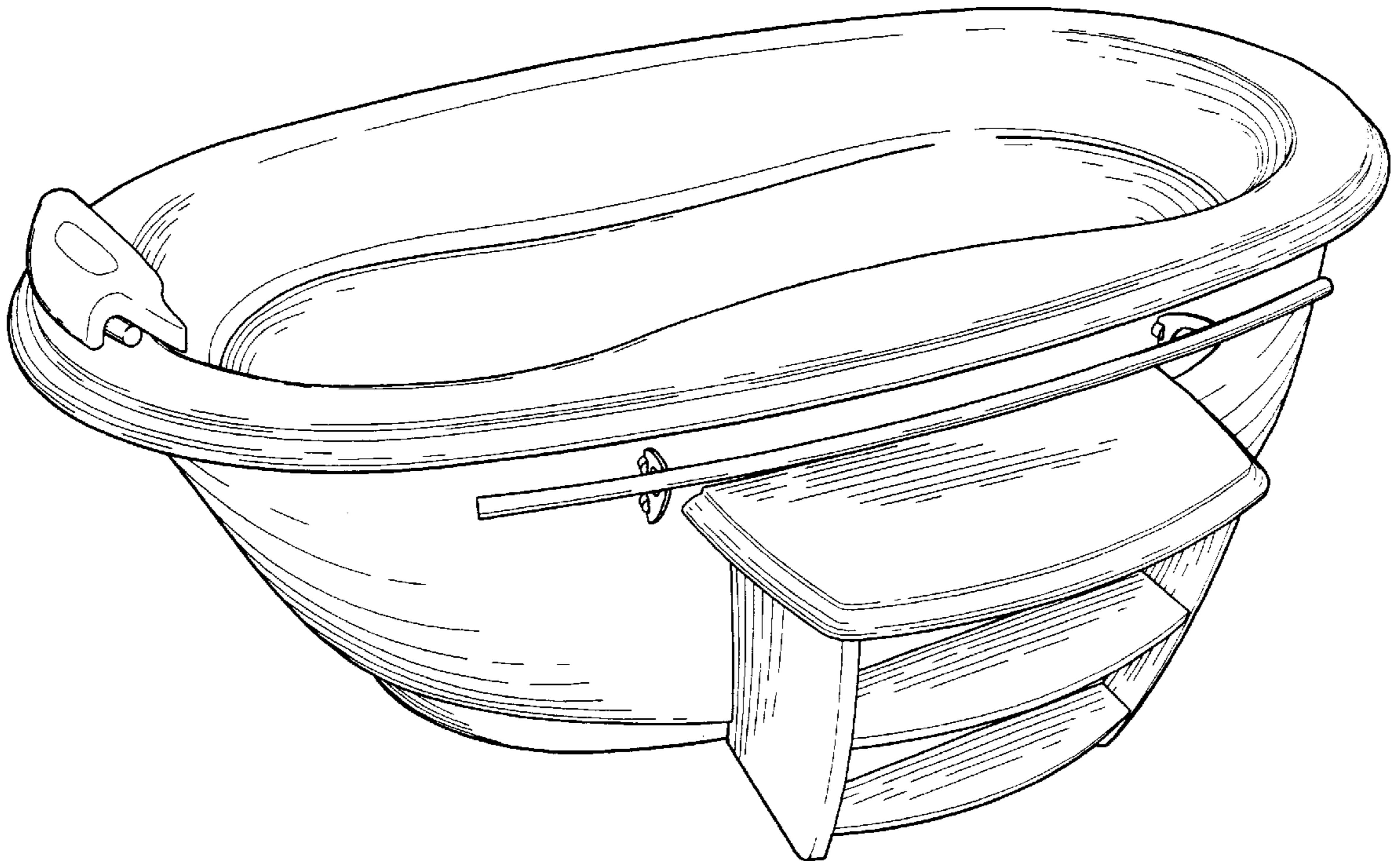


Fig 1

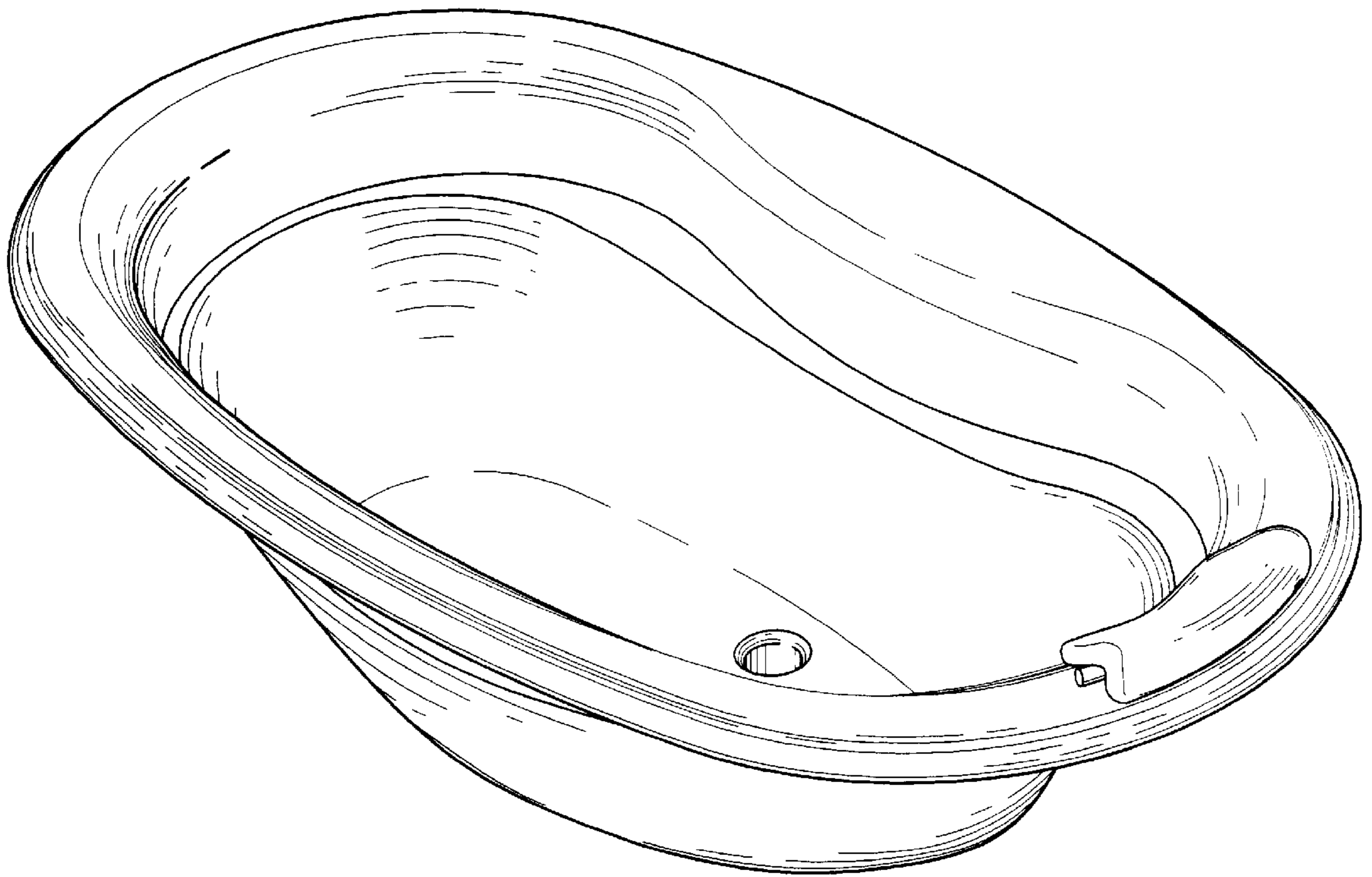


Fig 2

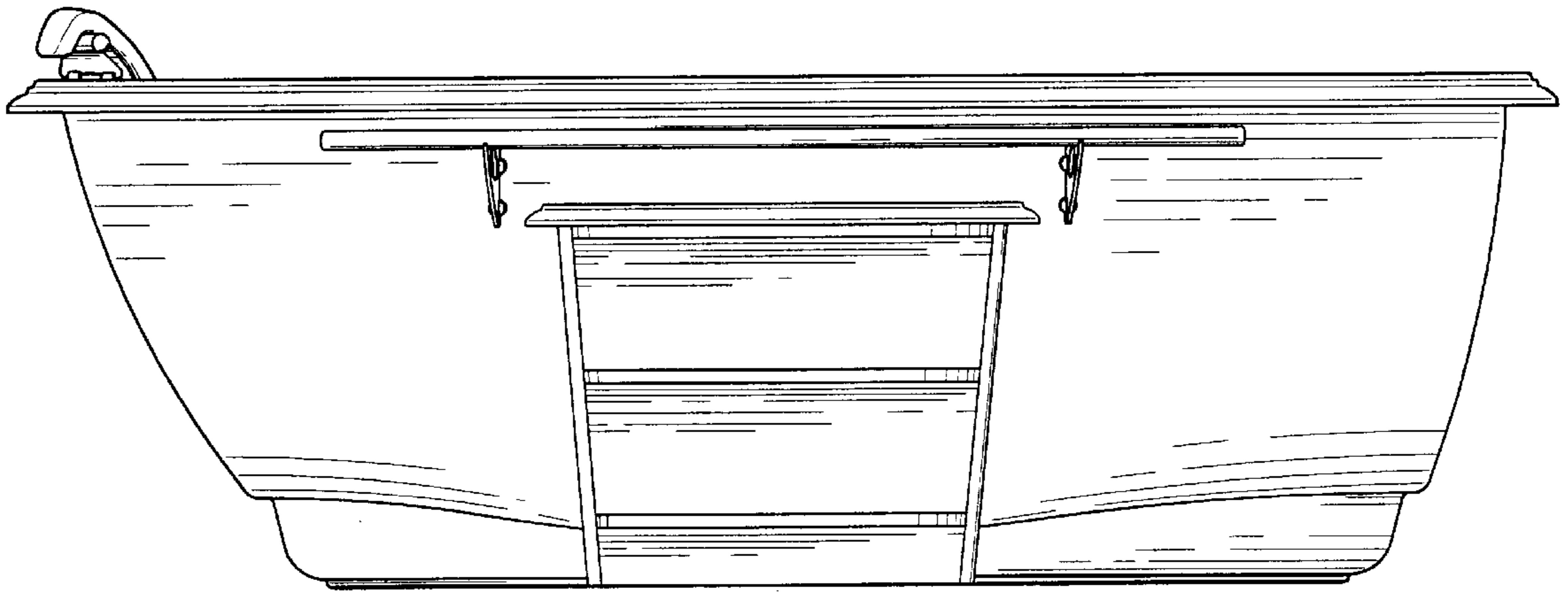


Fig 3

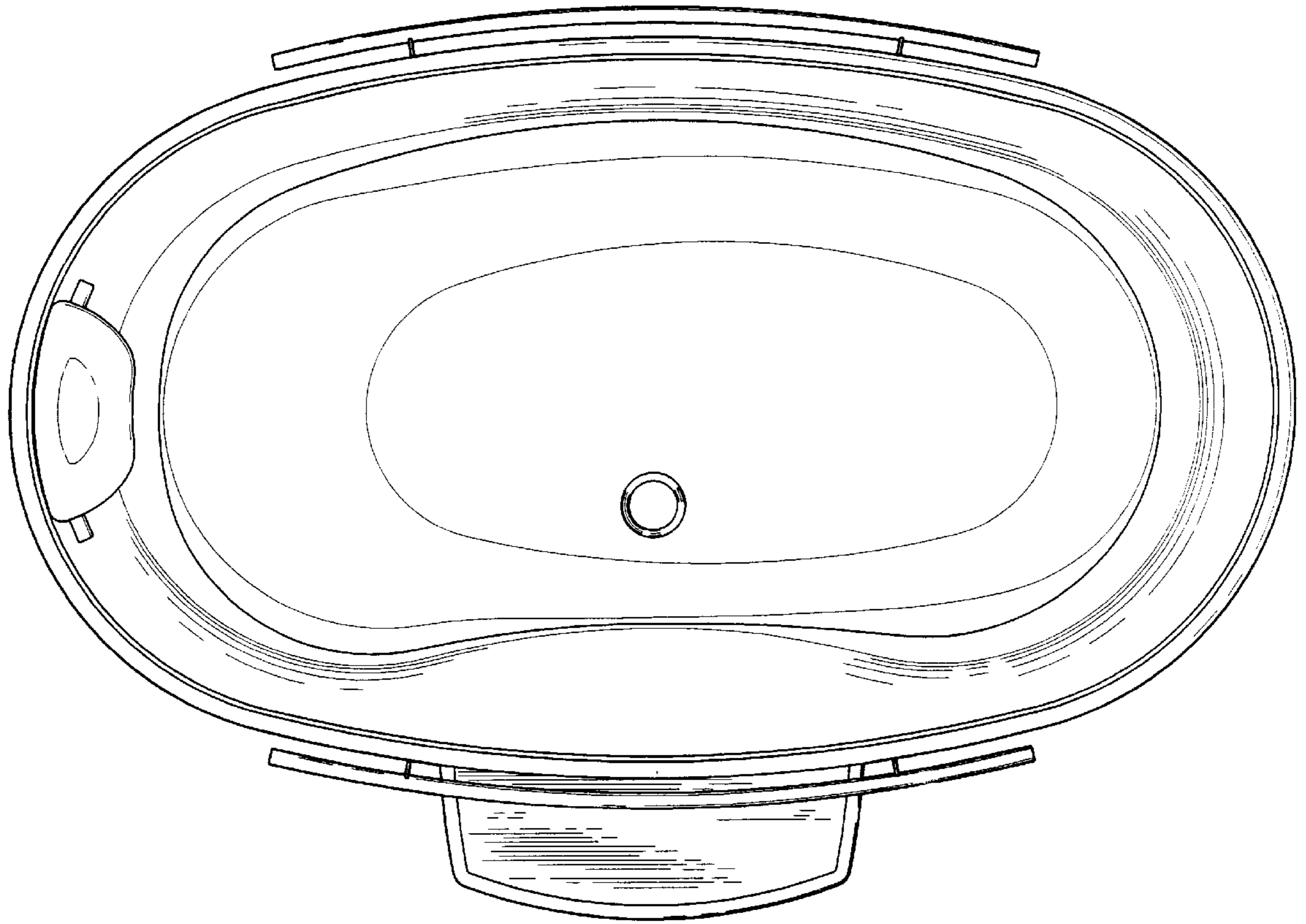


Fig 4

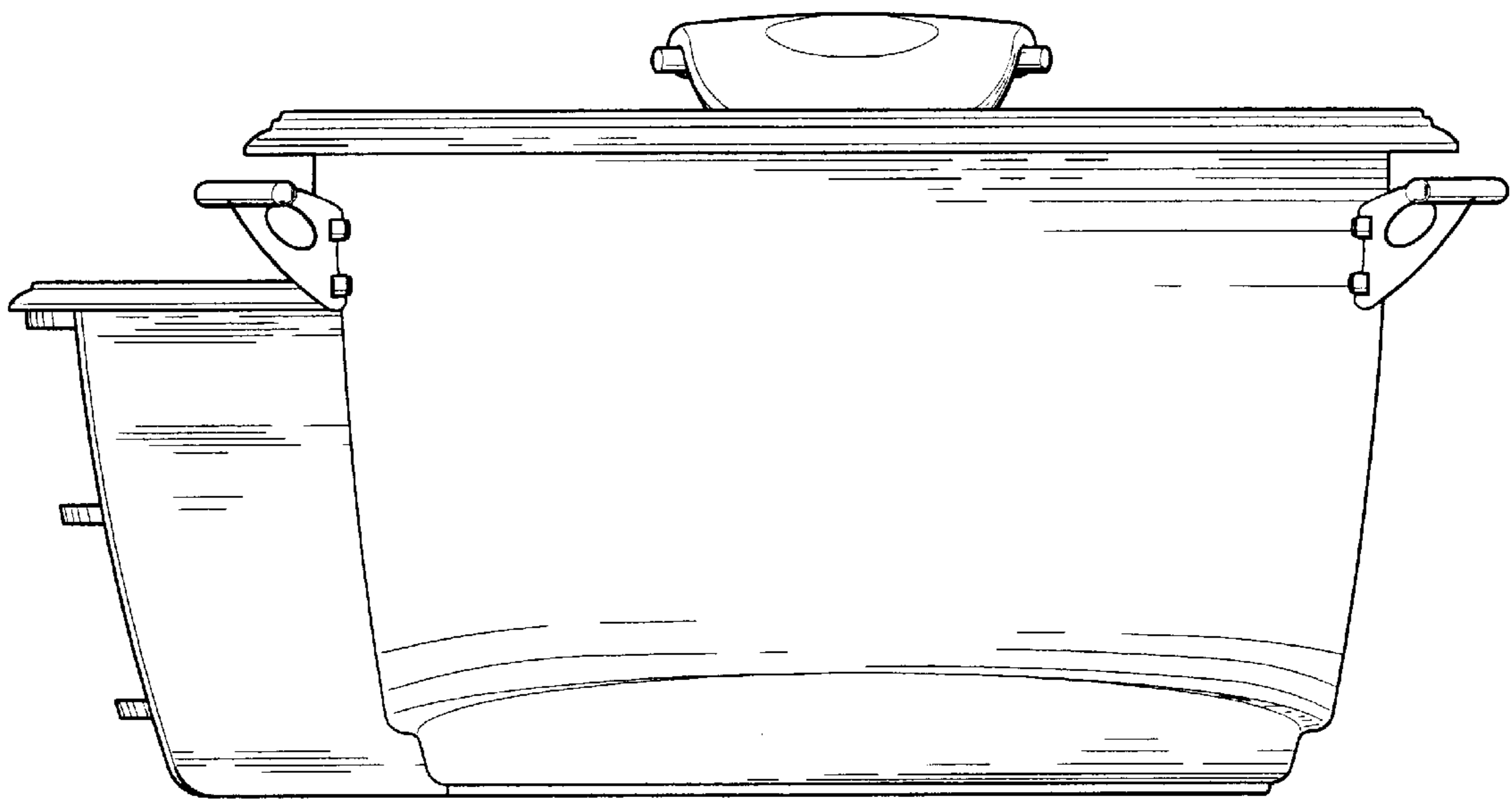


Fig 5