



US00D412972S

United States Patent [19] Kroulik

[11] Patent Number: **Des. 412,972**

[45] Date of Patent: **** Aug. 17, 1999**

[54] **CLASP WITH A LOCKING PIN FOR A WELDING CABLE OR FLUID HOSE**

[75] Inventor: **Erwin K. Kroulik**, Edmore, Mich.

[73] Assignee: **Flex-Cable, Inc.**, Morley, Mich.

[**] Term: **14 Years**

[21] Appl. No.: **29/076,743**

[22] Filed: **Sep. 22, 1997**

[51] **LOC (6) Cl.** **23-01**

[52] **U.S. Cl.** **D23/265**

[58] **Field of Search** D23/262, 265;
285/45, 80, 242, 245, 305, 308, 313, 332,
417, 418-420, 112, 364, 365; 403/299-301;
138/110, 147; D8/30, 382; 248/73, 74.1;
220/319, 320; 24/270

[56] **References Cited**

U.S. PATENT DOCUMENTS

D. 142,834	11/1945	Campbell	D23/265
154,536	8/1874	Wolf	285/325
968,759	8/1910	Fogg	292/307 B
1,230,606	6/1917	Saunders	285/280
2,241,089	5/1941	Hampe et al.	285/409
3,523,669	8/1970	Avallone	248/73
3,828,403	8/1974	Perrin et al.	24/270
4,445,657	5/1984	Breckenridge	248/73
4,478,381	10/1984	Pittion et al.	248/71

4,573,717	3/1986	Peacock	285/365
4,639,979	2/1987	Polson	24/270
4,643,460	2/1987	Lieberg	285/112
4,783,029	11/1988	Geppert et al.	248/74.1
5,366,263	11/1994	Hendrickson	285/406
5,411,162	5/1995	Koziczkowski et al.	220/320
5,474,269	12/1995	Kasubke	248/74.1
5,540,465	7/1996	Sisk	285/365

FOREIGN PATENT DOCUMENTS

2 395 418 1/1979 France F16B 2/02

Primary Examiner—Alan P. Douglas

Assistant Examiner—Reid Hecker

Attorney, Agent, or Firm—Taylor & Associates, P.C.

[57] CLAIM

The ornamental design for a clasp with a locking pin for a welding cable or fluid hose, as shown and described.

DESCRIPTION

FIG. 1 is a perspective view of a clasp with a locking pin for a welding cable or fluid hose showing my new design;

FIG. 2 is an end view thereof;

FIG. 3 is a side view thereof;

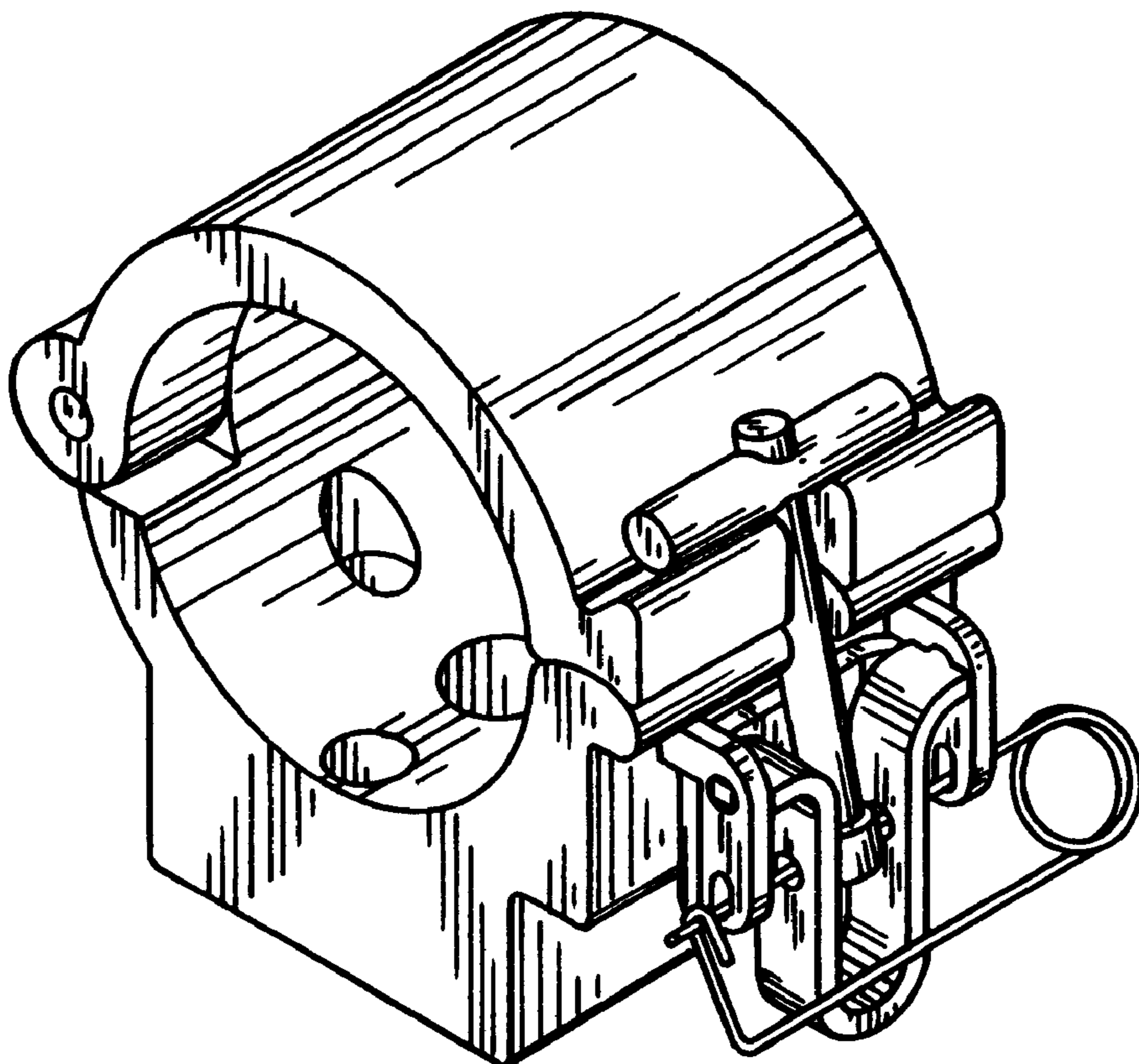
FIG. 4 is a top view thereof;

FIG. 5 is a bottom view thereof;

FIG. 6 is an opposite end view thereof; and,

FIG. 7 is an opposite side view thereof.

1 Claim, 2 Drawing Sheets



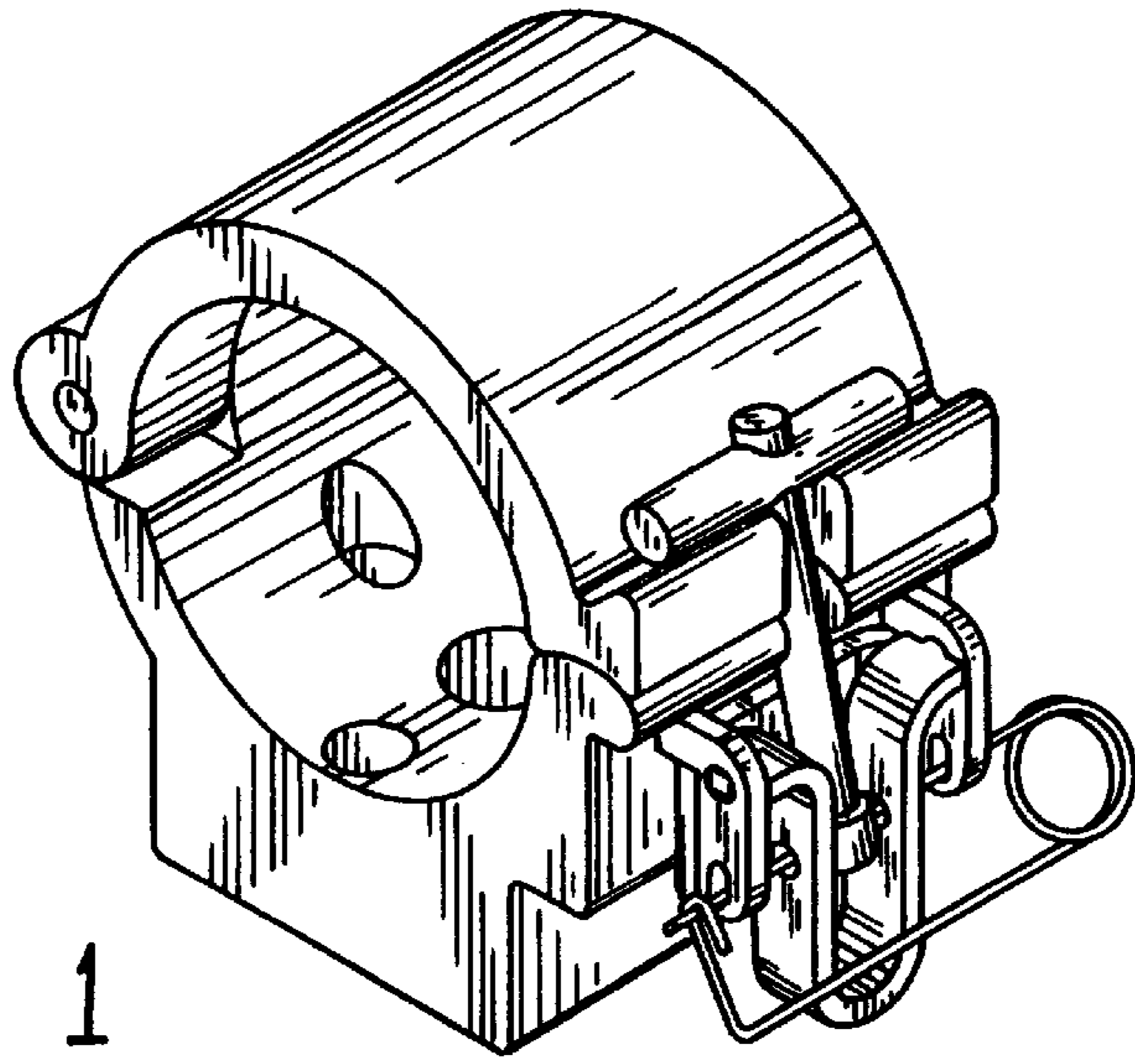


Fig. 1

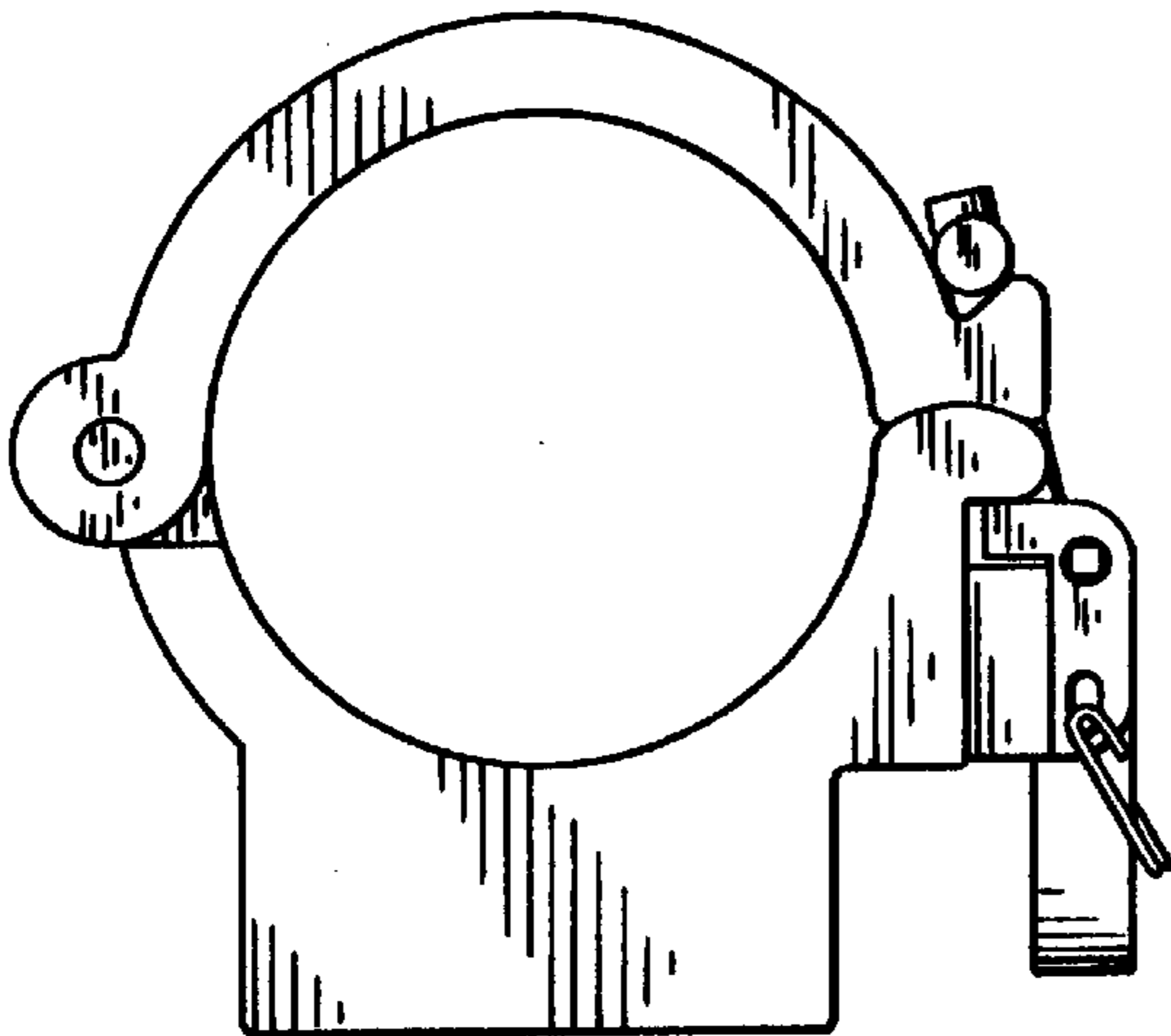


Fig. 2

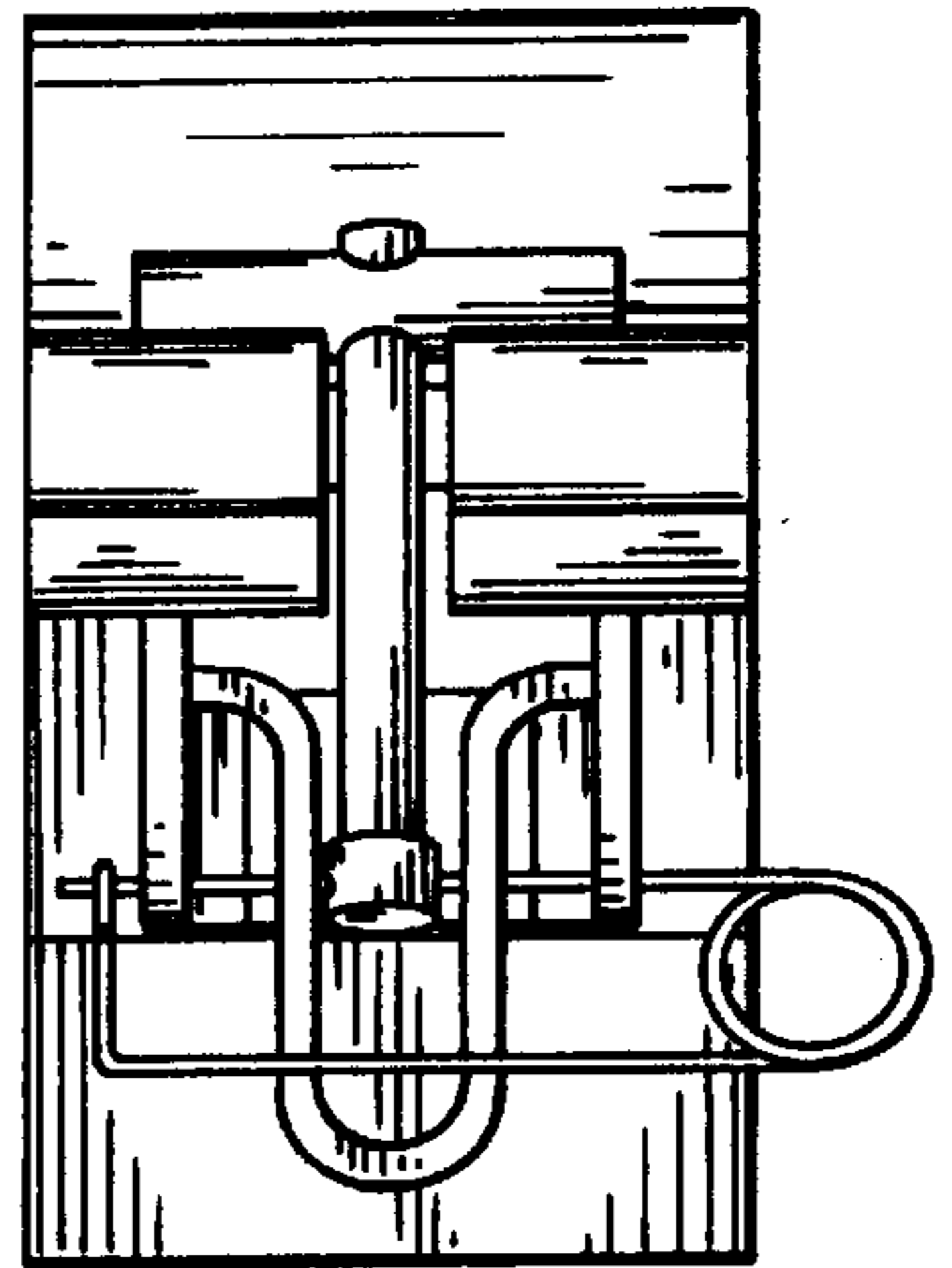


Fig. 3

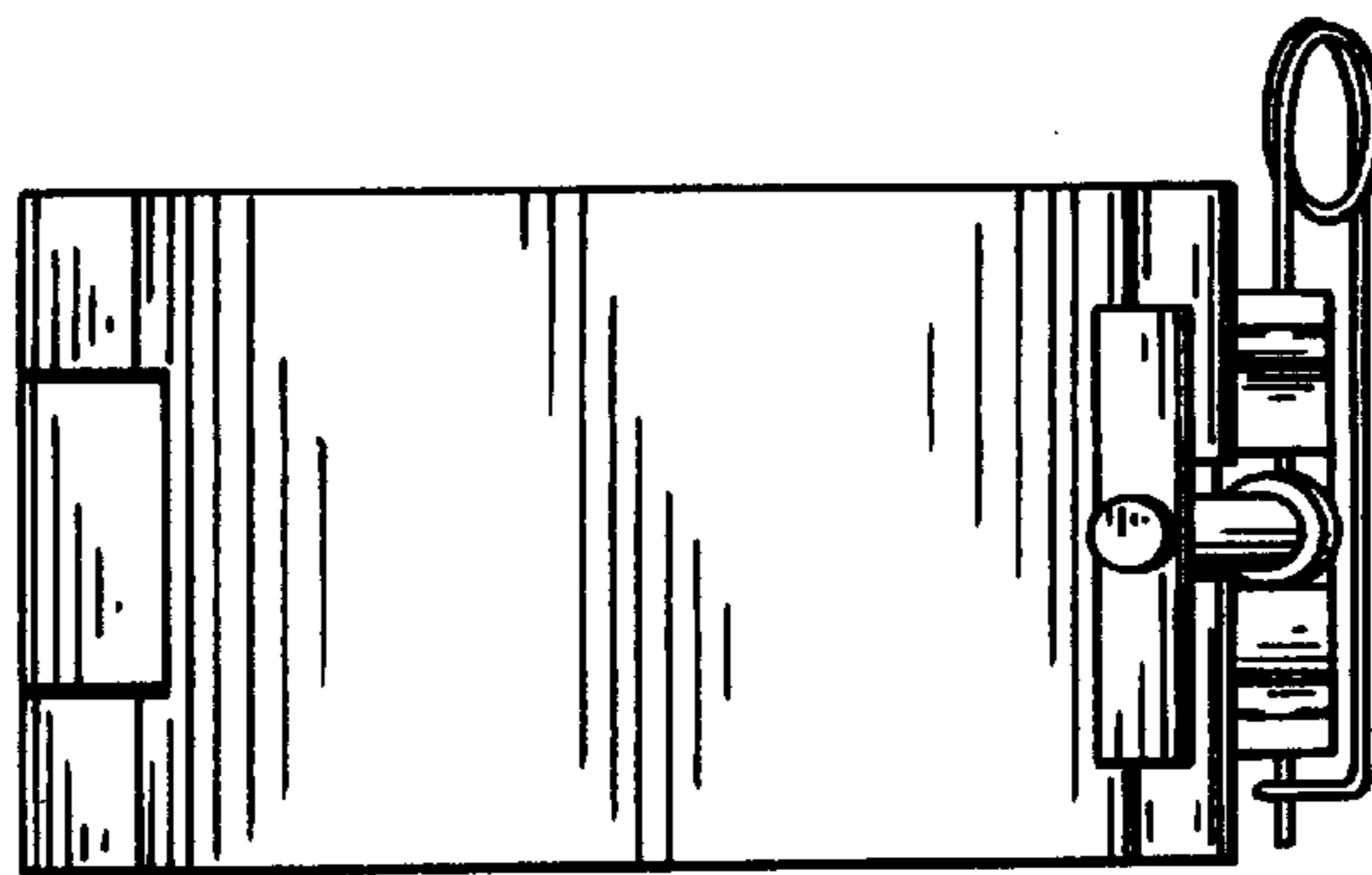


Fig. 4

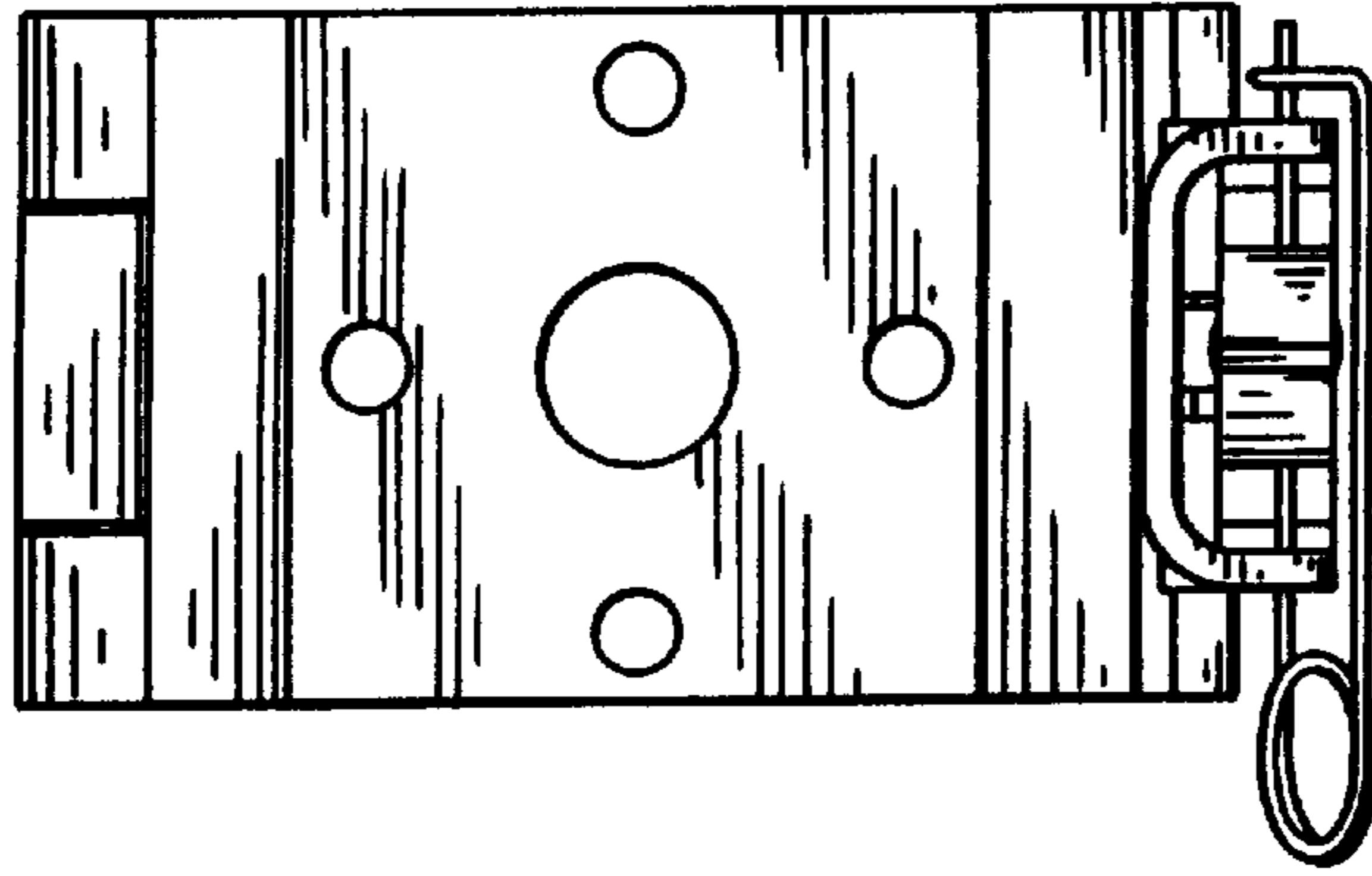


Fig. 5

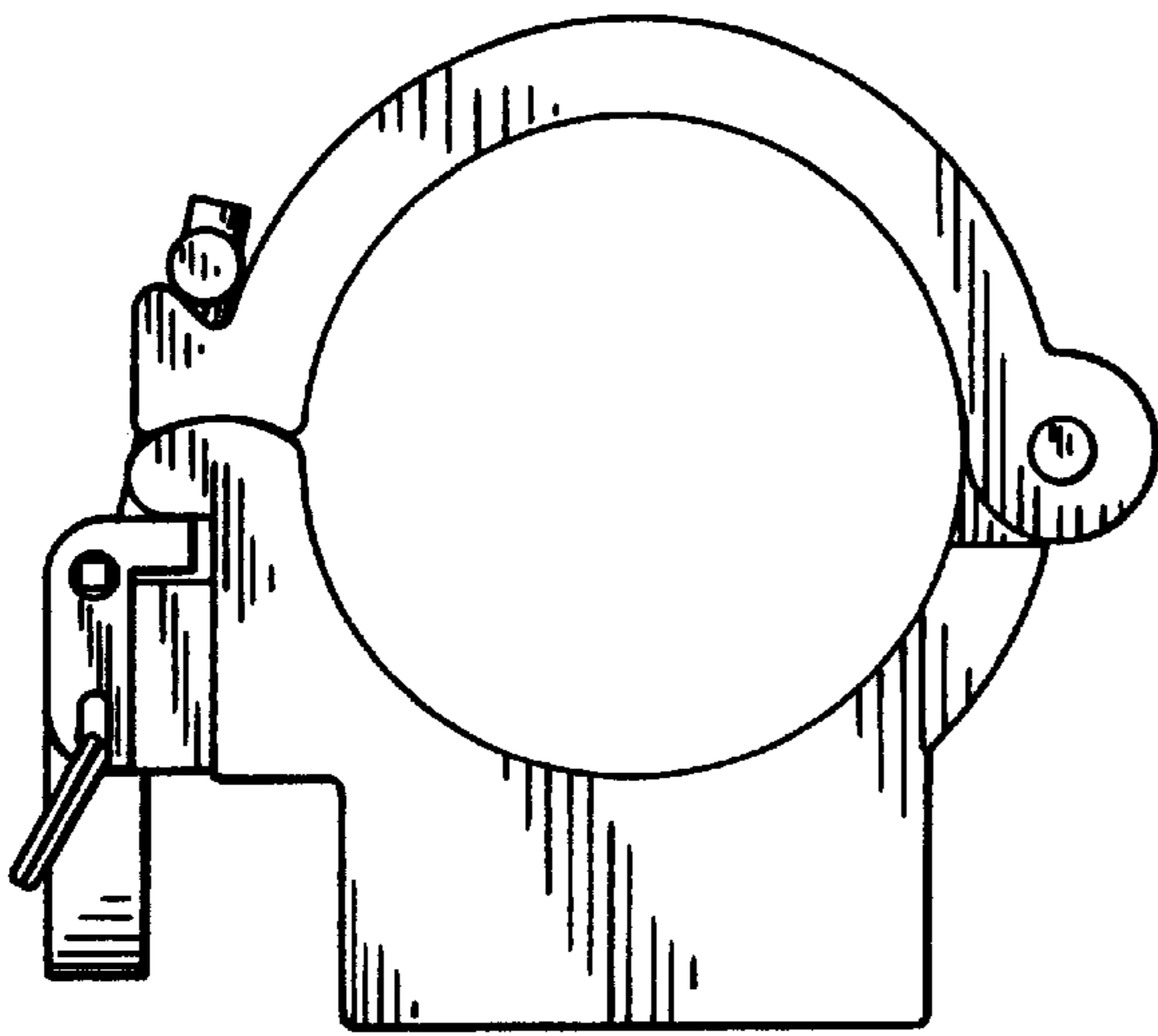


Fig. 6

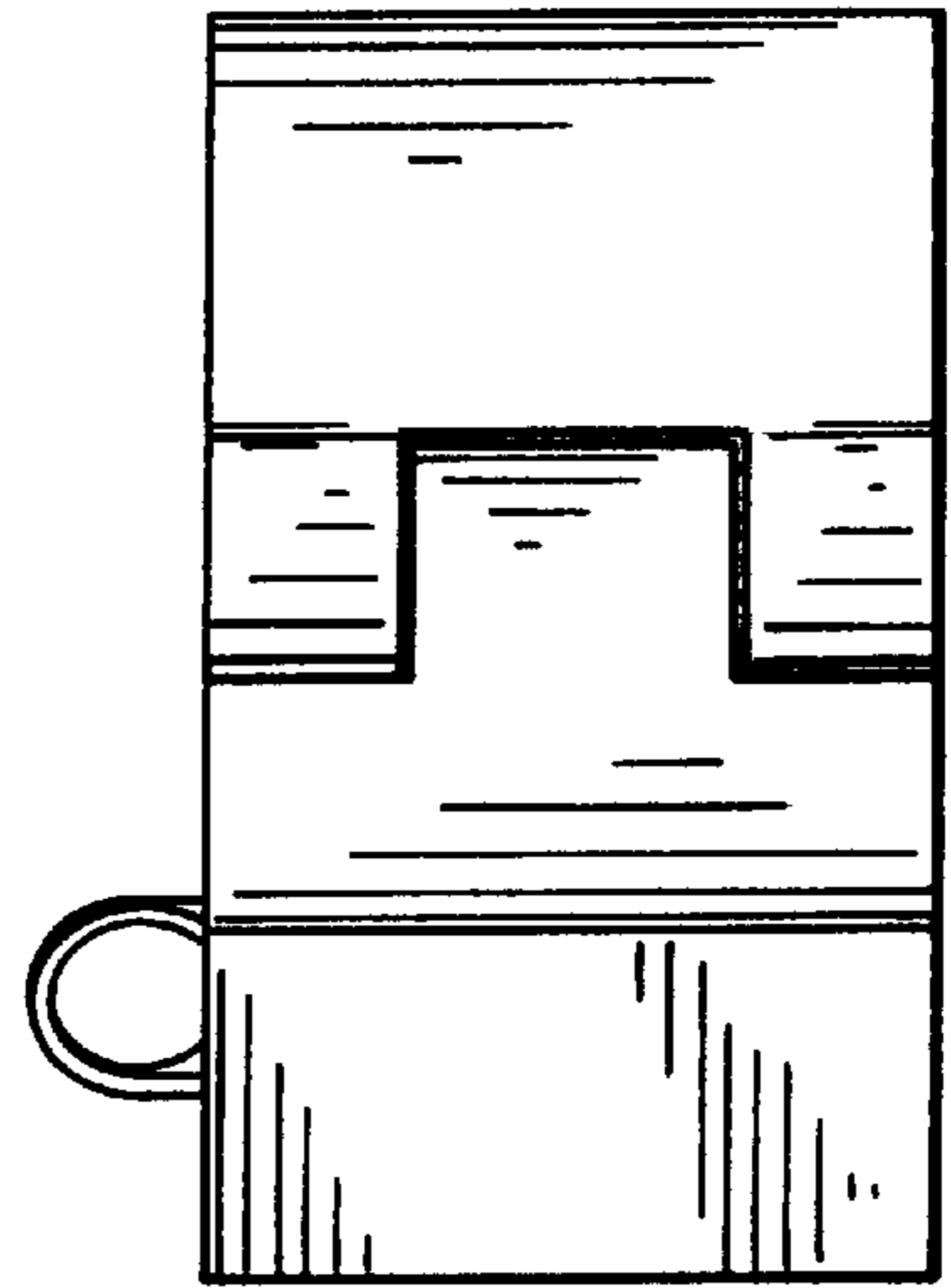


Fig. 7