



US00D412967S

United States Patent [19]
Lim

[11] **Patent Number: Des. 412,967**

[45] **Date of Patent: ** Aug. 17, 1999**

[54] **SPOUT**

[75] Inventor: **Won Sub Lim**, Kyungki-do, Rep. of Korea

[73] Assignee: **American Standard Inc.**, Piscataway, N.J.

[**] Term: **14 Years**

[21] Appl. No.: **29/089,886**

[22] Filed: **Jun. 25, 1998**

[30] **Foreign Application Priority Data**

Dec. 29, 1997 [KR] Rep. of Korea 97-27434

[51] **LOC (6) Cl.** **23-01**

[52] **U.S. Cl.** **D23/238**

[58] **Field of Search** D23/238-243,
D23/250-257; 4/675-678; D8/300-308;
137/801

[56] **References Cited**

U.S. PATENT DOCUMENTS

D. 253,607	12/1979	Haug	D23/238
D. 291,232	8/1987	Haug et al.	D23/238
D. 291,235	8/1987	Bergman et al.	D23/238
D. 309,655	7/1990	Reinecke	D23/238
D. 324,095	2/1992	Grohe	D23/238

Primary Examiner—Louis S. Zarfes
Assistant Examiner—Eric Watterson

[57] **CLAIM**

The ornamental design for a spout, as shown and described.

DESCRIPTION

FIG. 1 is a front, top and left side perspective view of a spout showing my new design;

FIG. 2 is a left side elevational view thereof, the right side view being a mirror image of the left side;

FIG. 3 is a front elevational view thereof;

FIG. 4 is a back elevational view thereof;

FIG. 5 is a top plan view thereof; and

FIG. 6 is a bottom plan view thereof.

FIG. 7 is a front and left side perspective view of a spout showing another embodiment of my new design;

FIG. 8 is a left side elevation view of the spout shown in FIG. 7, the right side view being a mirror image of the left side;

FIG. 9 is a front elevation view of the spout shown on FIG. 7;

FIG. 10 is a back elevation view of the spout shown on FIG. 7;

FIG. 11 is a top plan view of the spout shown in FIG. 7; and, FIG. 12 is a bottom plan view of the spout shown in FIG. 7.

1 Claim, 6 Drawing Sheets

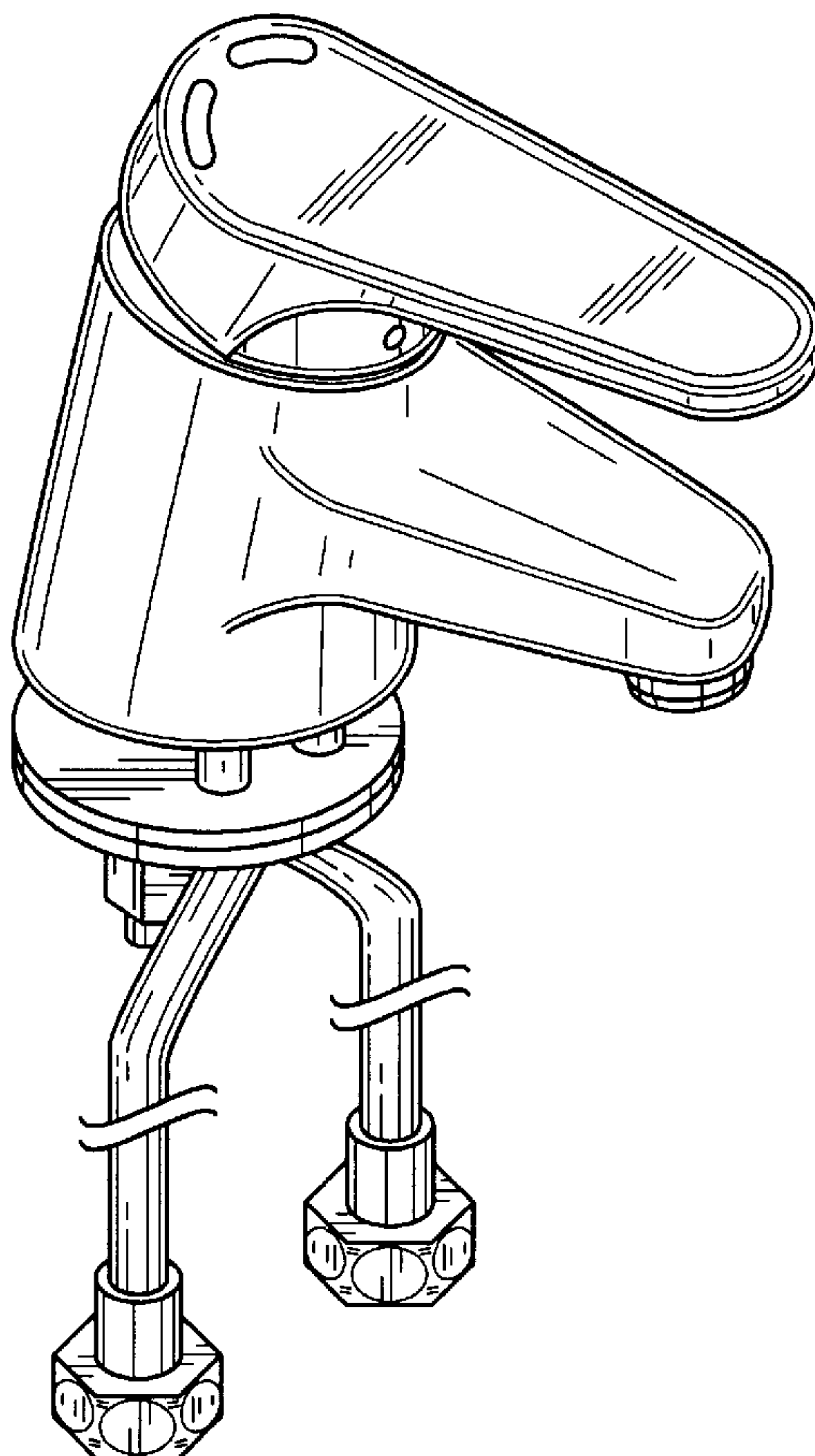


FIG. 1

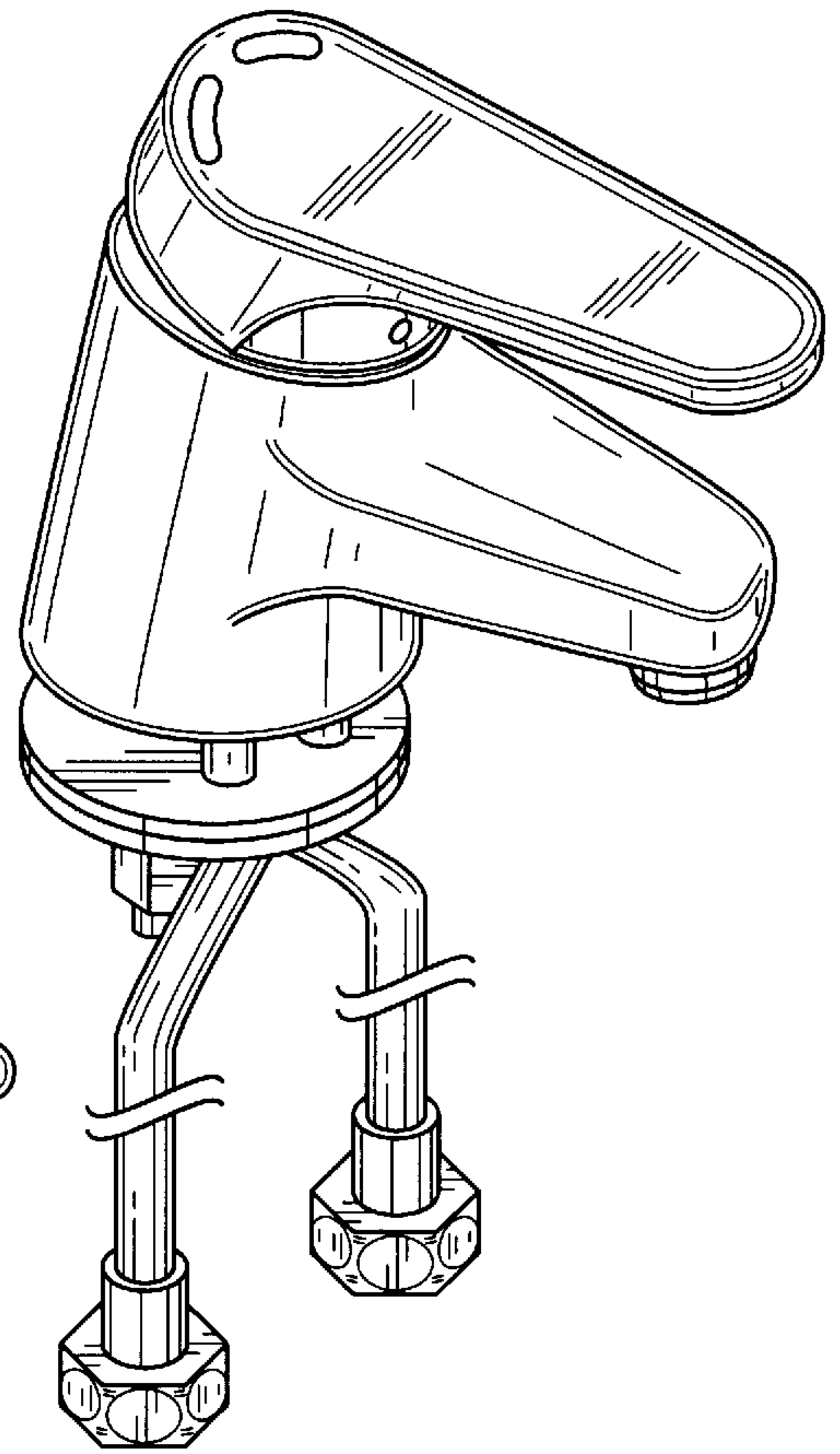


FIG. 2

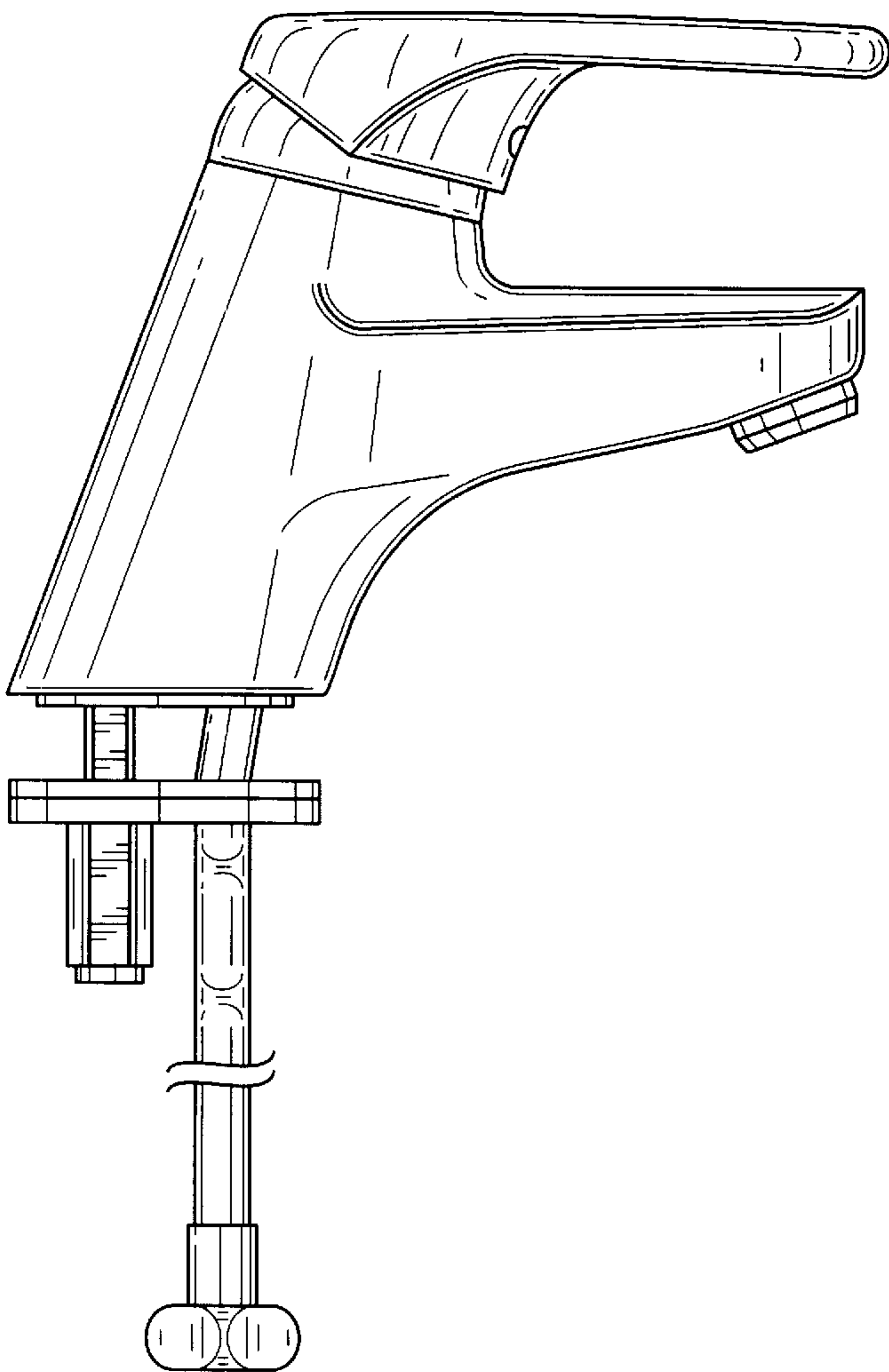


FIG. 3

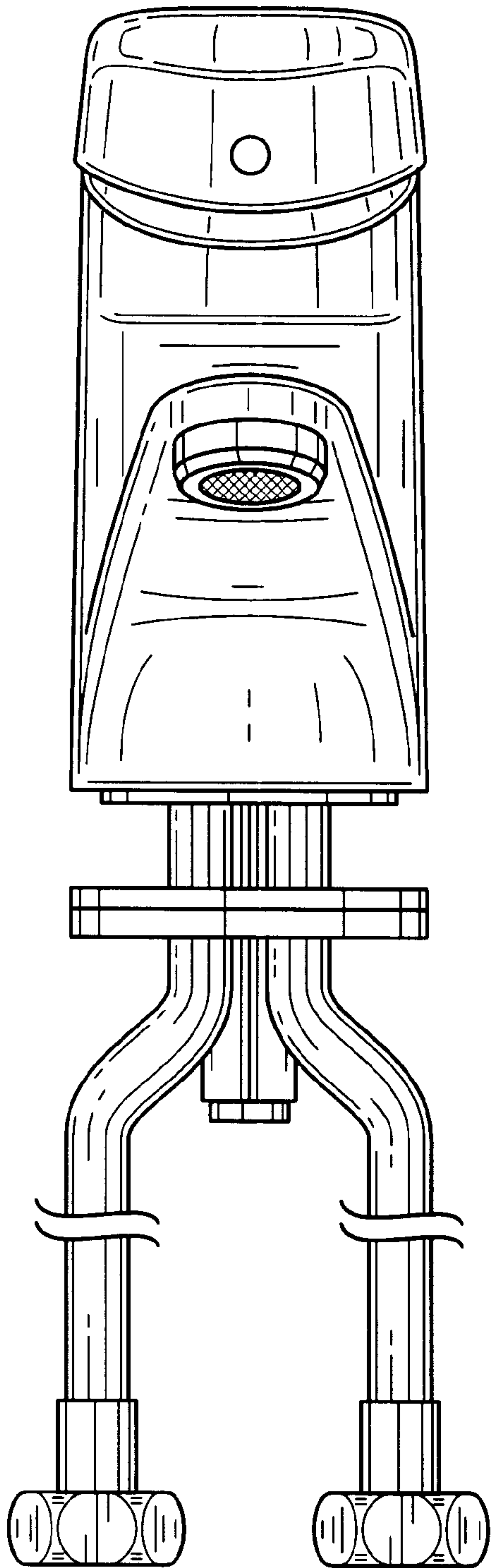


FIG. 4

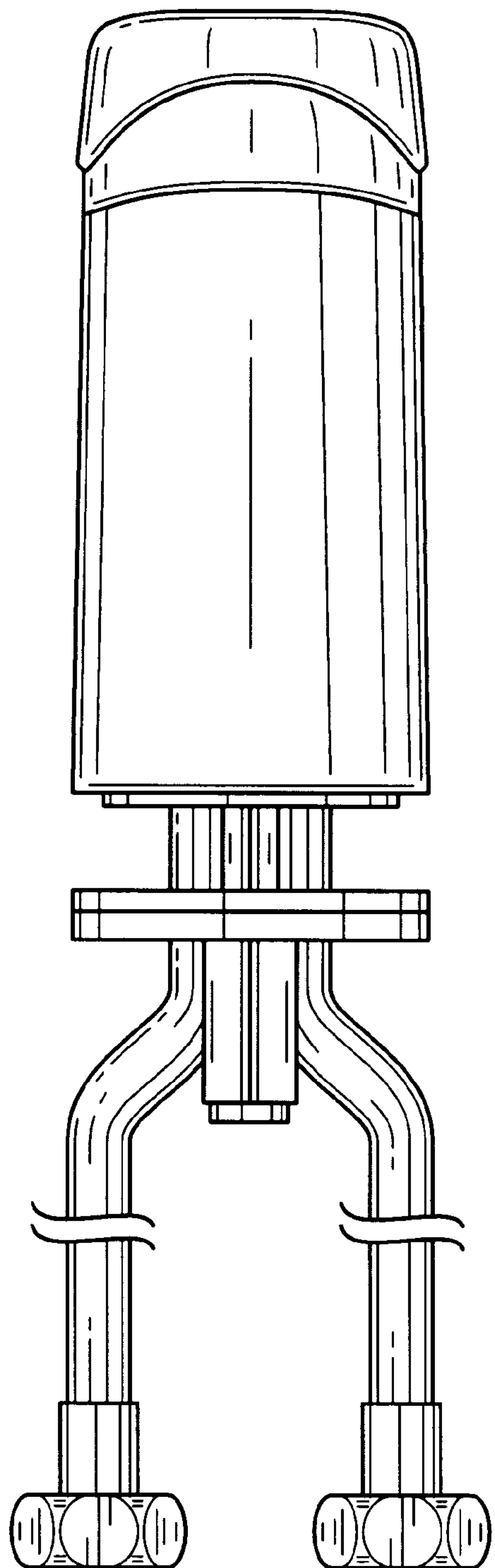


FIG. 5

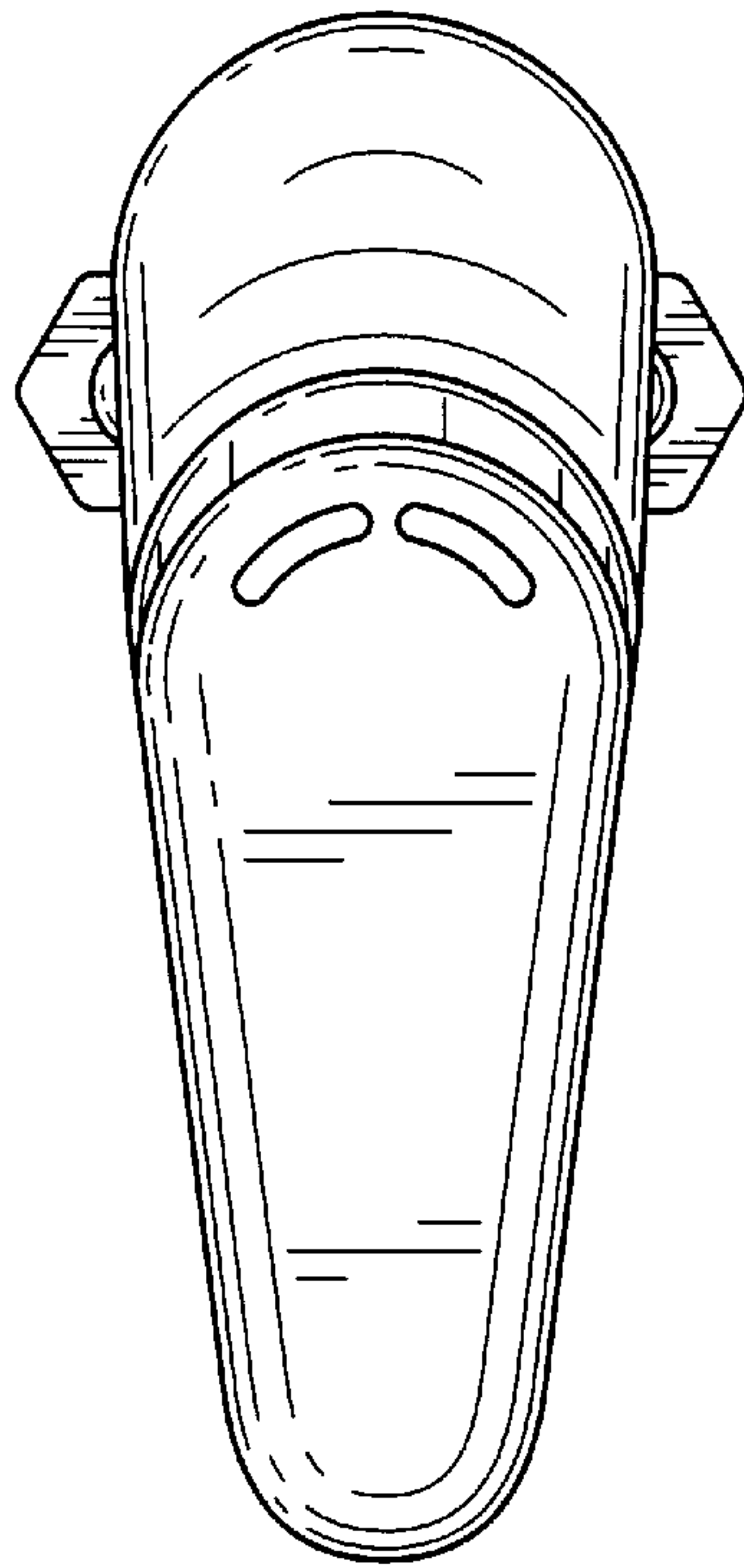


FIG. 6

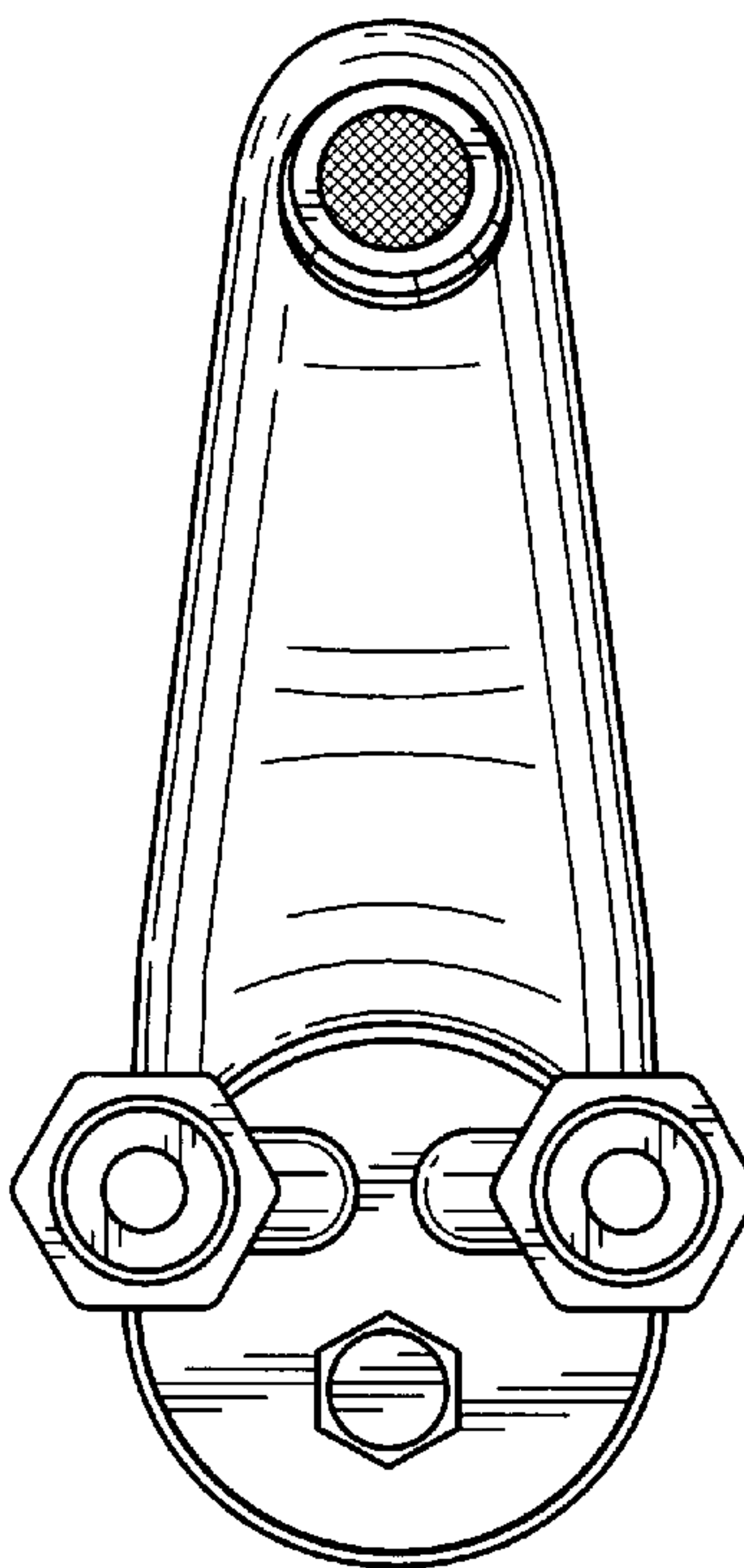


FIG. 7

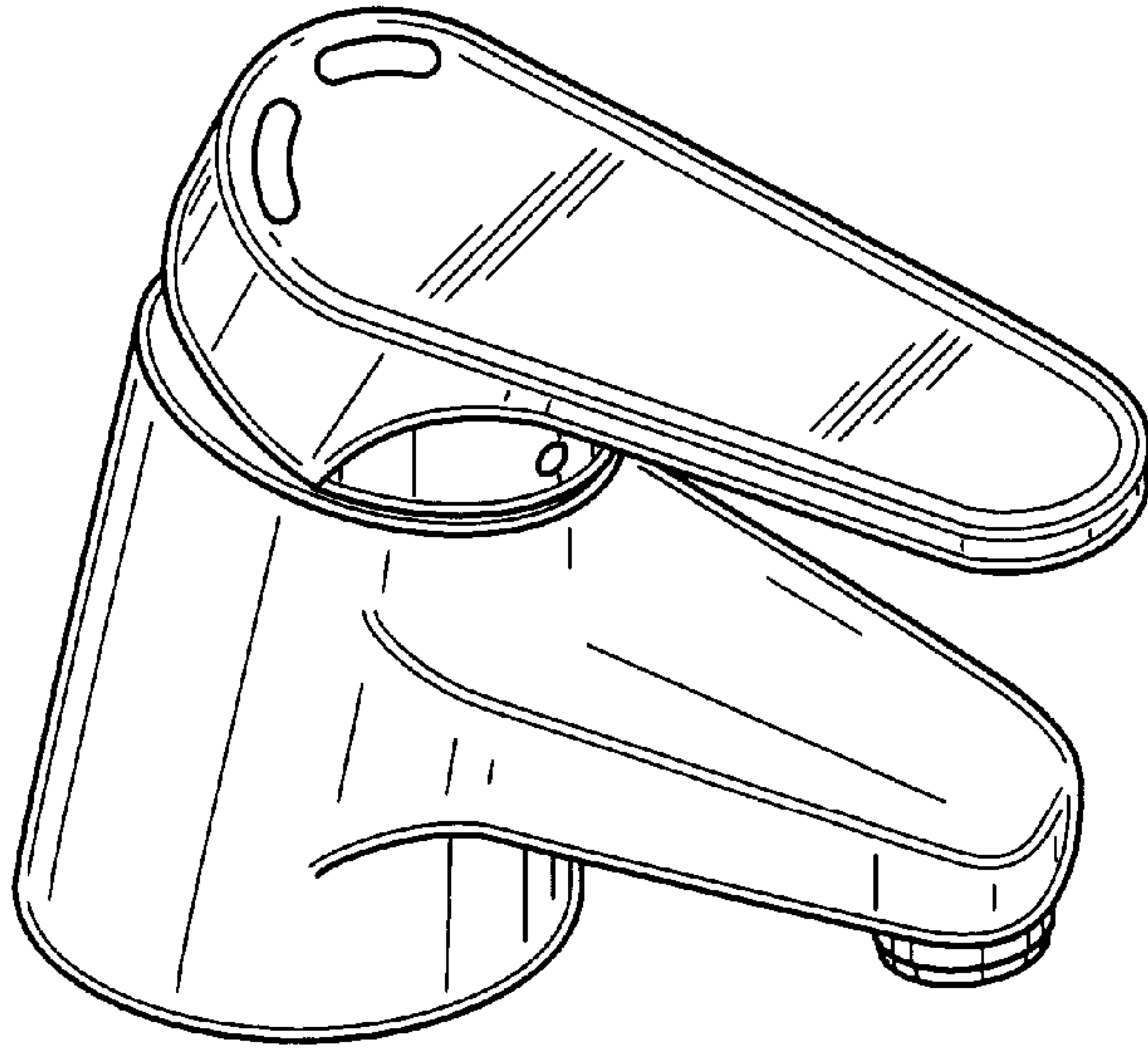


FIG. 8

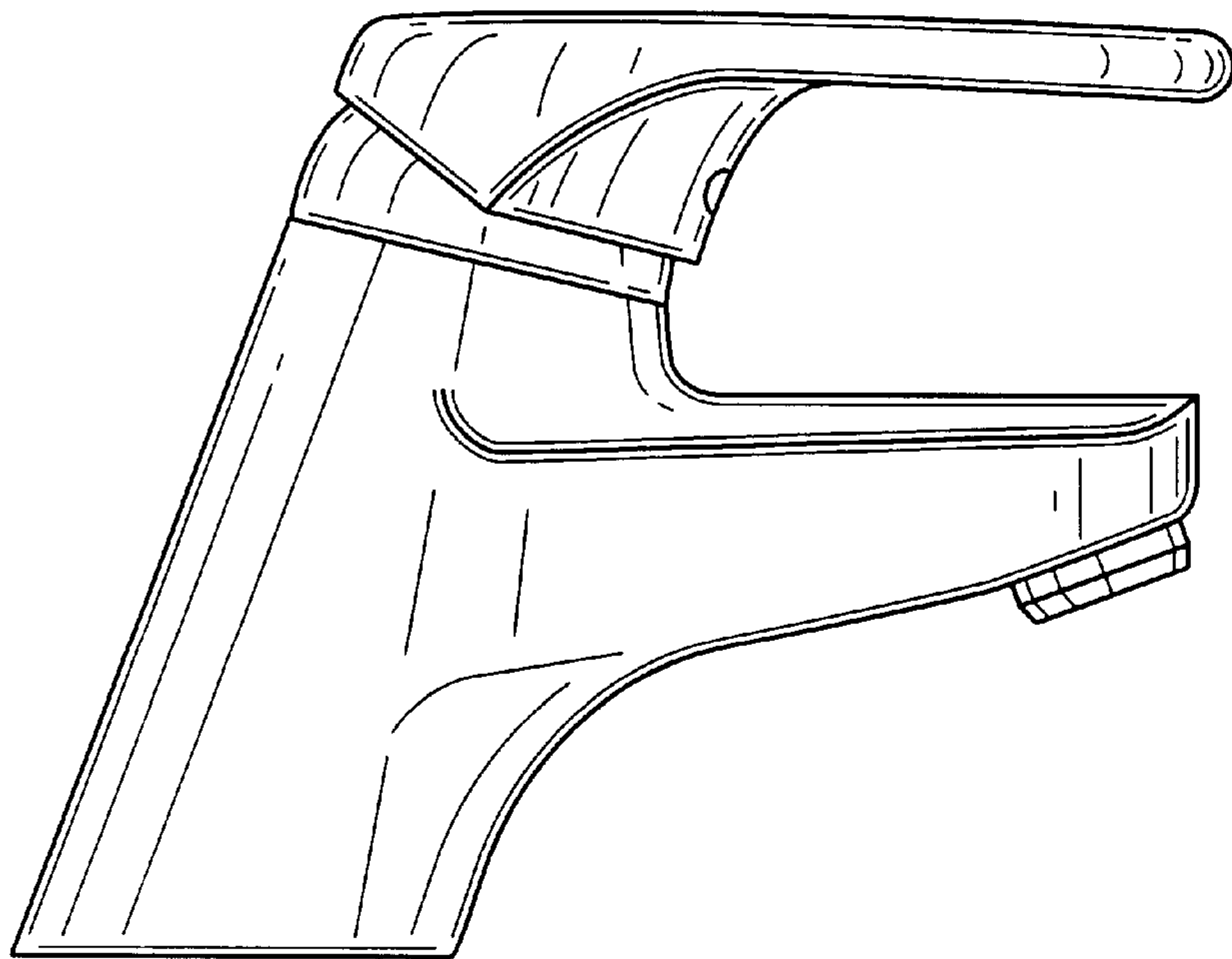


FIG. 9

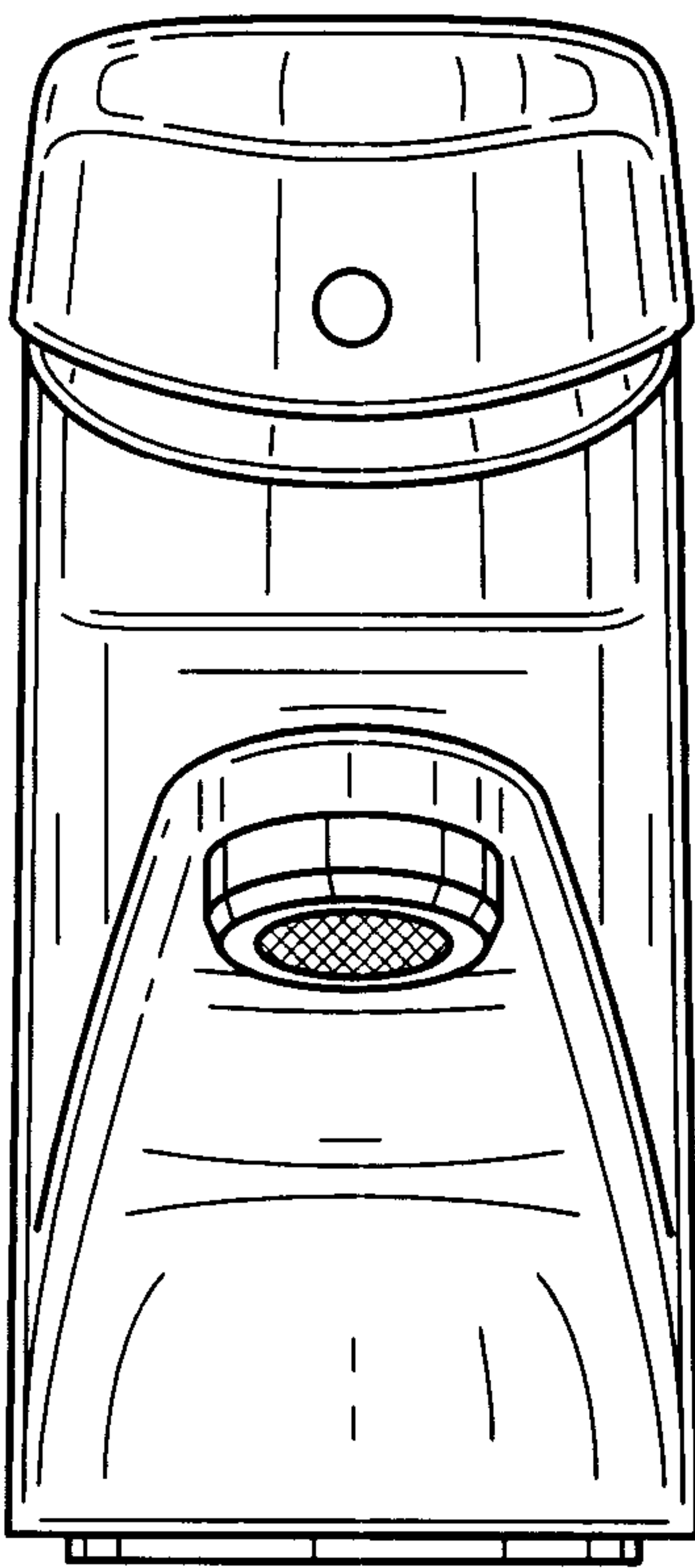


FIG. 10

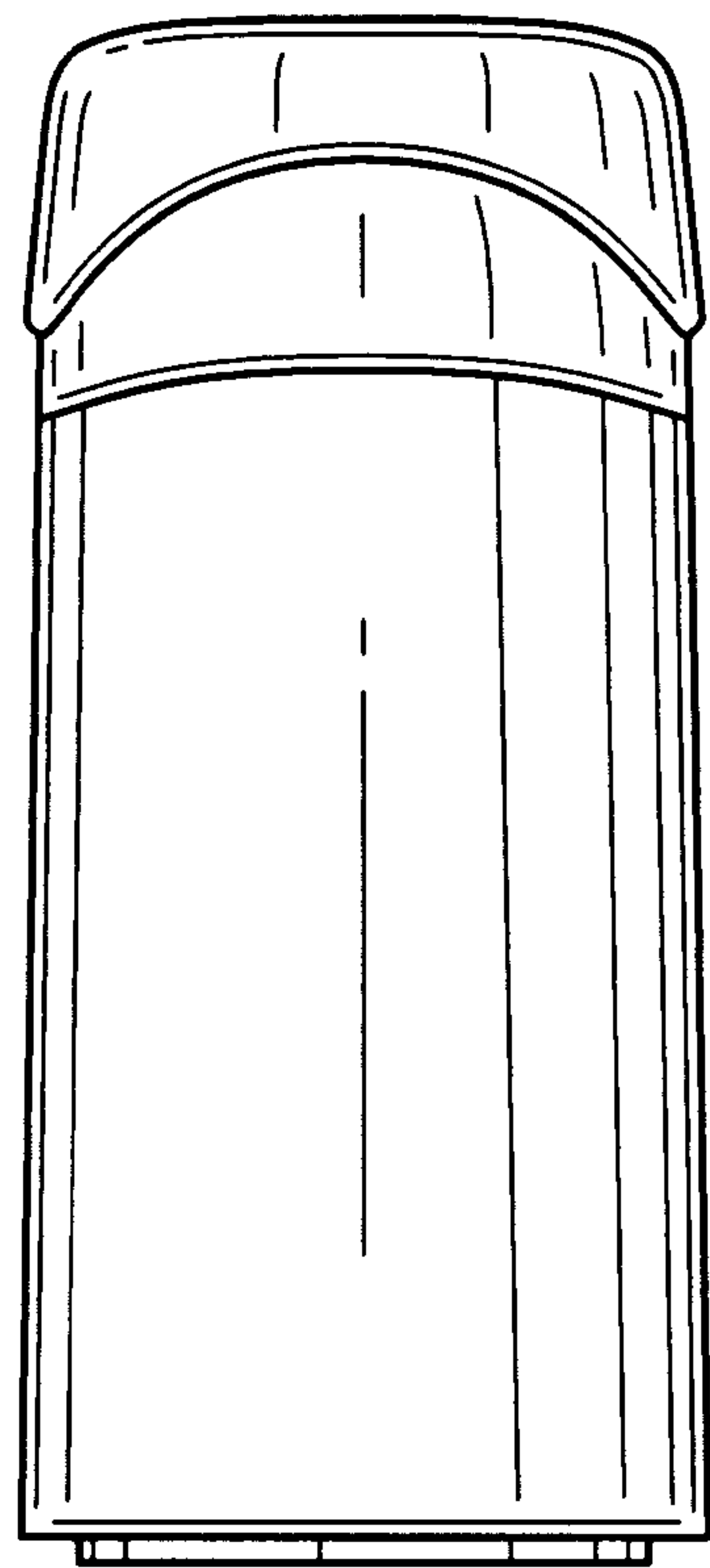


FIG. 11

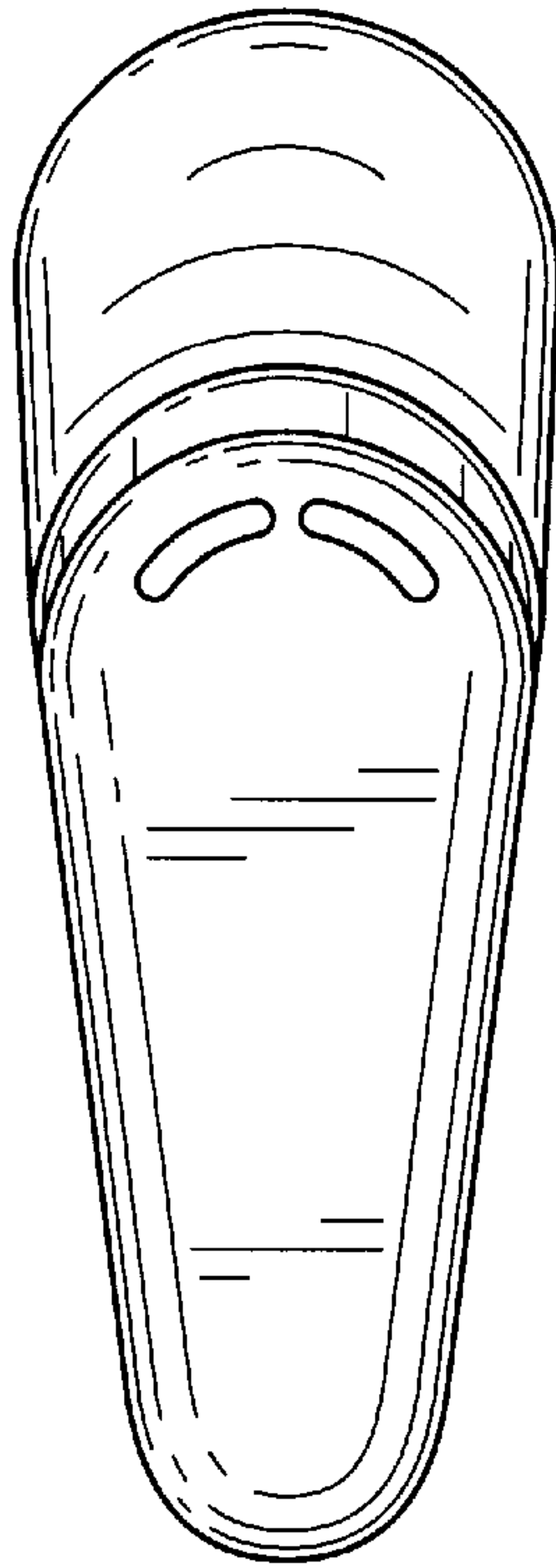


FIG. 12

