



US00D412965S

United States Patent [19] Kieffer

[11] Patent Number: **Des. 412,965**

[45] Date of Patent: **** Aug. 17, 1999**

[54] **SPRAY GUN**

[75] Inventor: **Joseph W. Kieffer**, Rogers, Minn.

[73] Assignee: **Wagner Spray Tech Corporation**,
Minneapolis, Minn.

[**] Term: **14 Years**

[21] Appl. No.: **29/081,047**

[22] Filed: **Nov. 24, 1997**

Related U.S. Application Data

[63] Continuation of application No. 29/063,585, Dec. 5, 1996,
abandoned.

[51] **LOC (6) Cl.** **23-01**

[52] **U.S. Cl.** **D23/226**

[58] **Field of Search** D23/213, 223-226;
239/525-528, 690, 691, 700, 701

[56] References Cited

U.S. PATENT DOCUMENTS

D. 141,730	7/1945	Baur	D23/226
D. 212,153	9/1968	Wagner	D23/17
D. 305,453	1/1990	Morgan	D23/226
D. 313,064	12/1990	Lind et al.	D23/226
D. 314,421	2/1991	Tajima et al.	D23/226
D. 356,855	3/1995	Gebauer et al.	D23/223
D. 372,517	8/1996	Farnsteiner	D23/223
D. 376,637	12/1996	Kieffer et al.	D23/223
3,583,632	6/1971	Shaffer et al.	239/15
3,633,828	1/1972	Larson	239/412
3,944,141	3/1976	Siczek	239/288
3,955,763	5/1976	Pyle et al.	239/119
4,005,825	2/1977	Schowiak	239/413
4,105,164	8/1978	Lau et al.	239/526

4,154,403	5/1979	Forrester	239/528
4,162,042	7/1979	Mommsen et al.	239/526
4,244,527	1/1981	De Fusco	239/691
4,427,153	1/1984	Schaefer	239/528
4,660,774	4/1987	Kwok et al.	239/708
4,770,117	9/1988	Hetherington et al.	118/300
4,993,642	2/1991	Hufgard	239/300
5,284,301	2/1994	Kieffer	239/528

OTHER PUBLICATIONS

Gracon Spray Equipment, item # 206-718, p. 22, 1965.
Wagner Catalog, Power Painter Airless Paint Spray—Complete 5-component system, Betty Painting Faster and Easier—Use and Care Manual, W500 Model No. 0153129-3/89H, pp. 1, 8.
Electric, 120 VAC 390sts Airless Paint Sprayer, Model 231-353, Series A, Graco Parts List 308-548, Rev. A, 1994, pp. 1, 7.

Primary Examiner—Alan P. Douglas
Assistant Examiner—Robin V. Taylor
Attorney, Agent, or Firm—Faegre & Benson LLP

[57] CLAIM

The ornamental design for a spray gun, as shown.

DESCRIPTION

FIG. 1 is a perspective view of the spray gun of the present invention.
FIG. 2 is a front elevation view thereof.
FIG. 3 is a top plan view thereof.
FIG. 4 is a bottom plan view thereof.
FIG. 5 is a rear elevation view thereof.
FIG. 6 is a right hand side elevation view thereof, and,
FIG. 7 is a left hand side elevation view thereof.

1 Claim, 3 Drawing Sheets

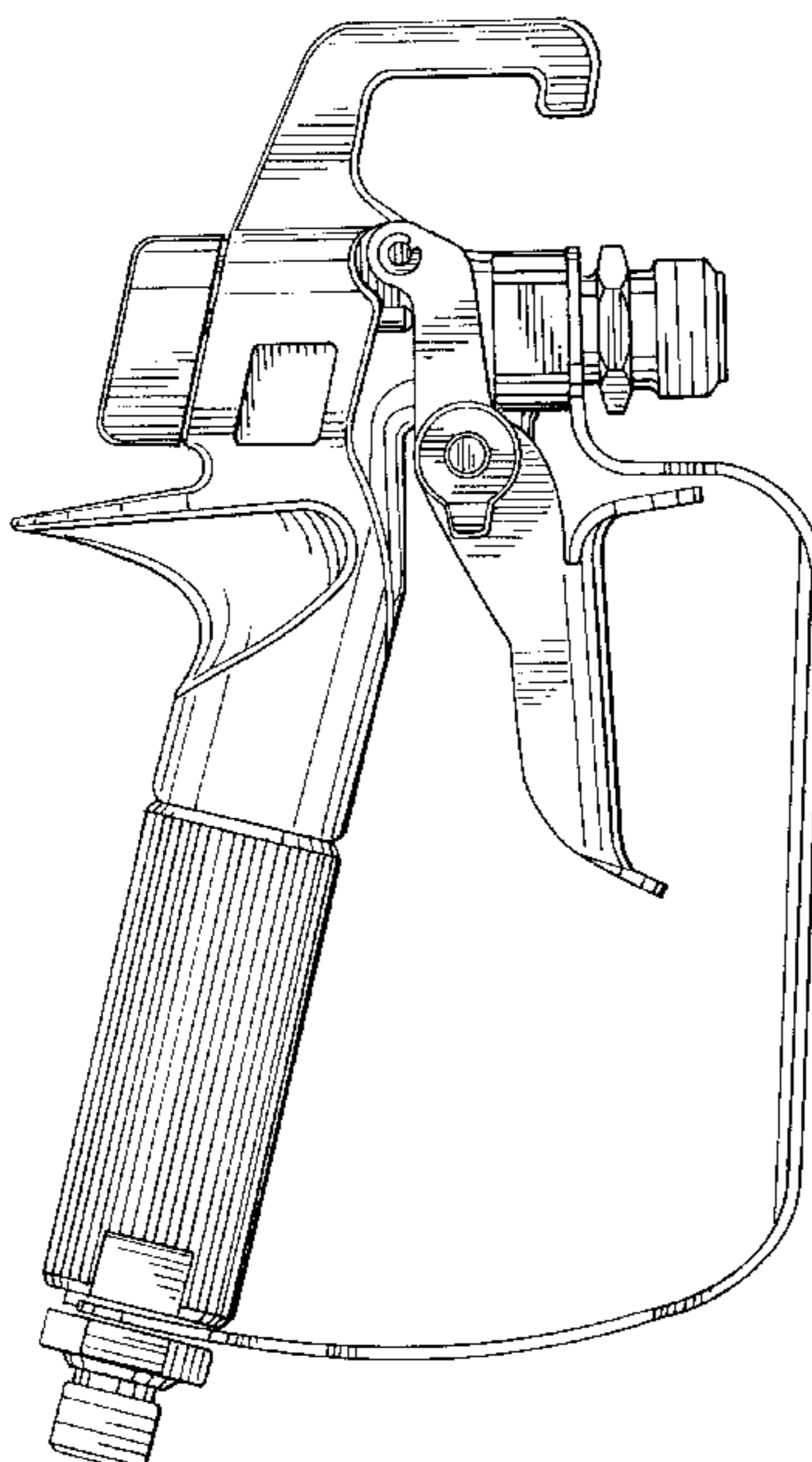


Fig. 1

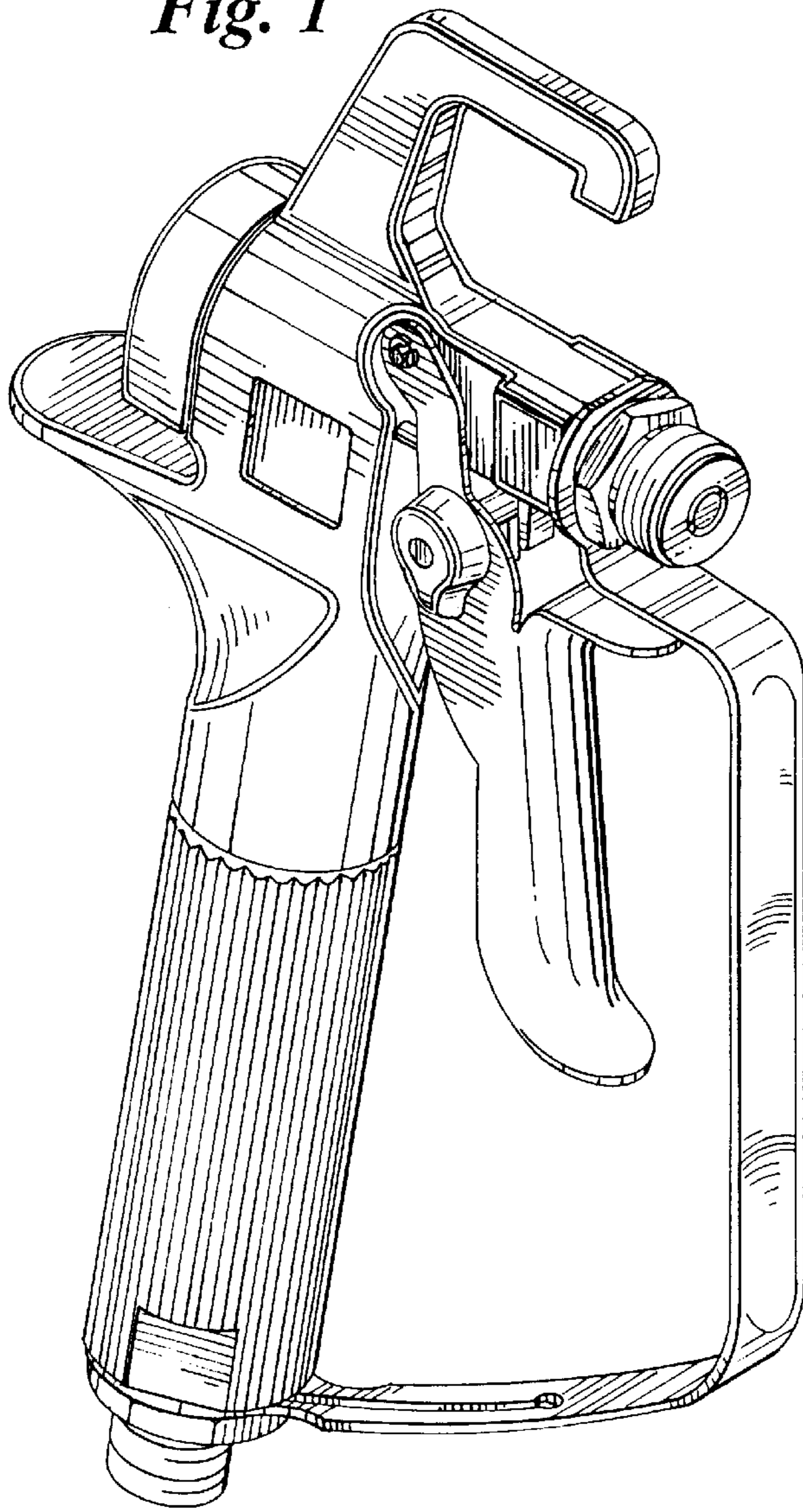


Fig. 2

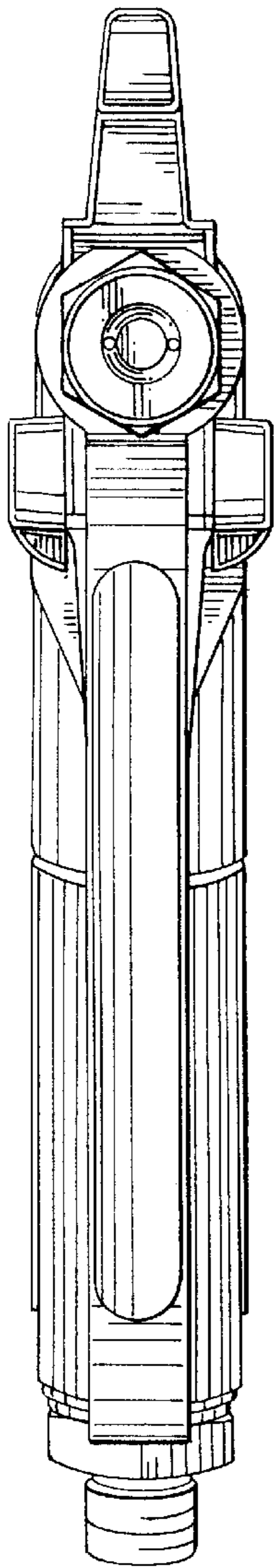


Fig. 3

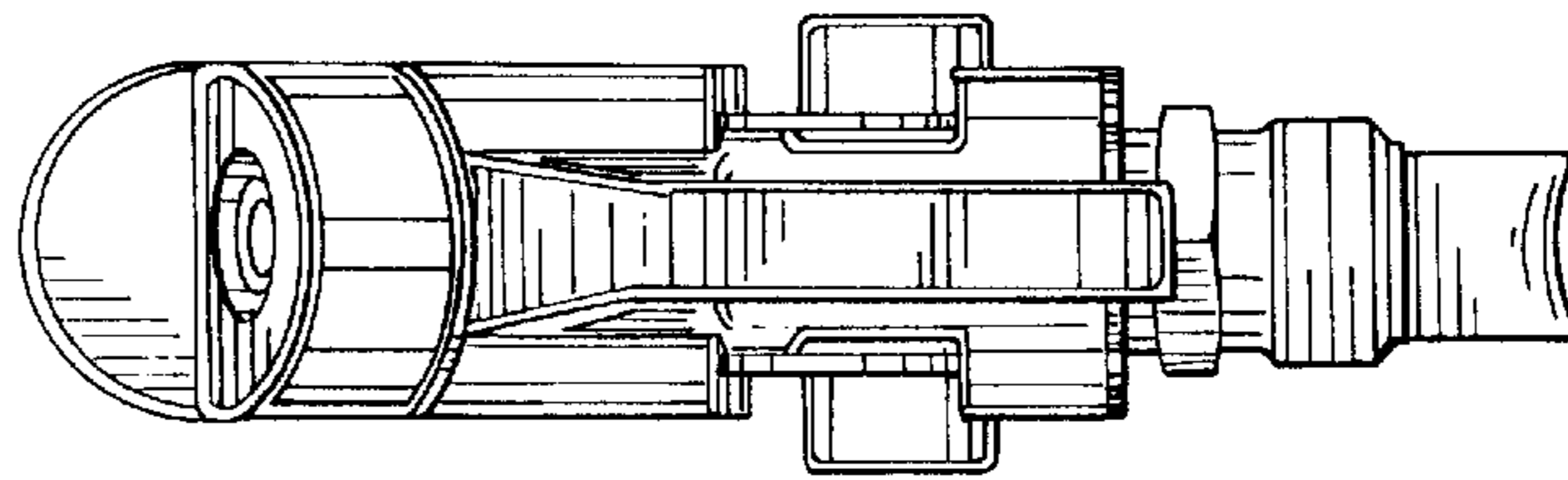


Fig. 4

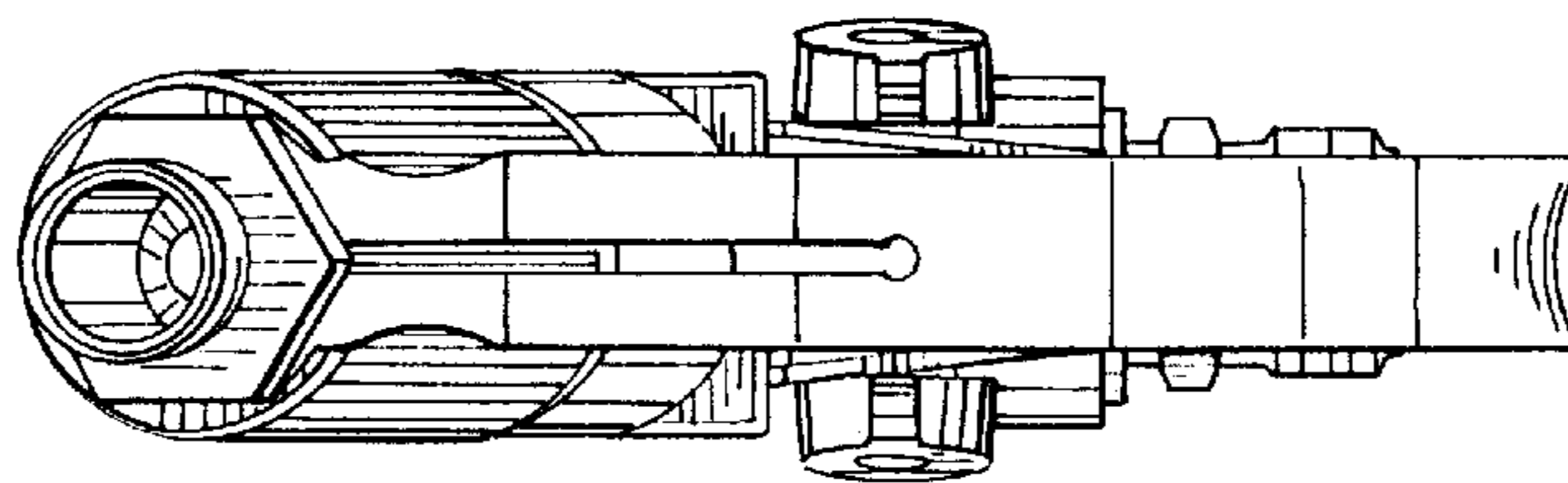


Fig. 5

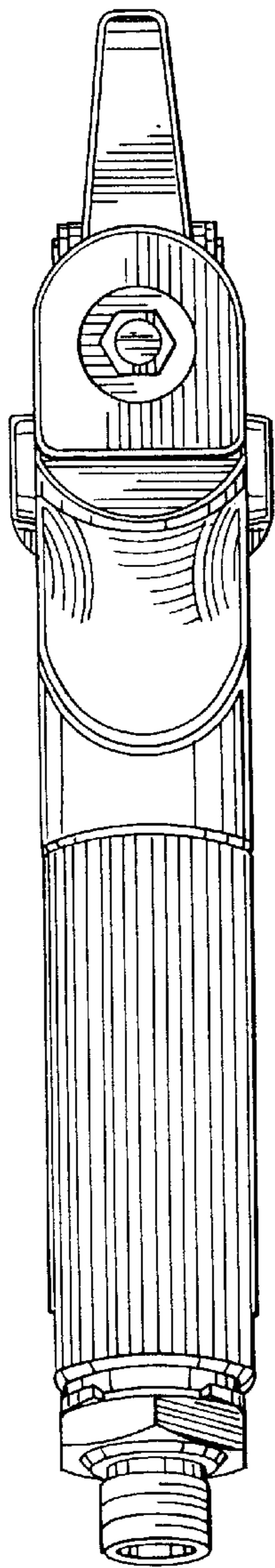


Fig. 6

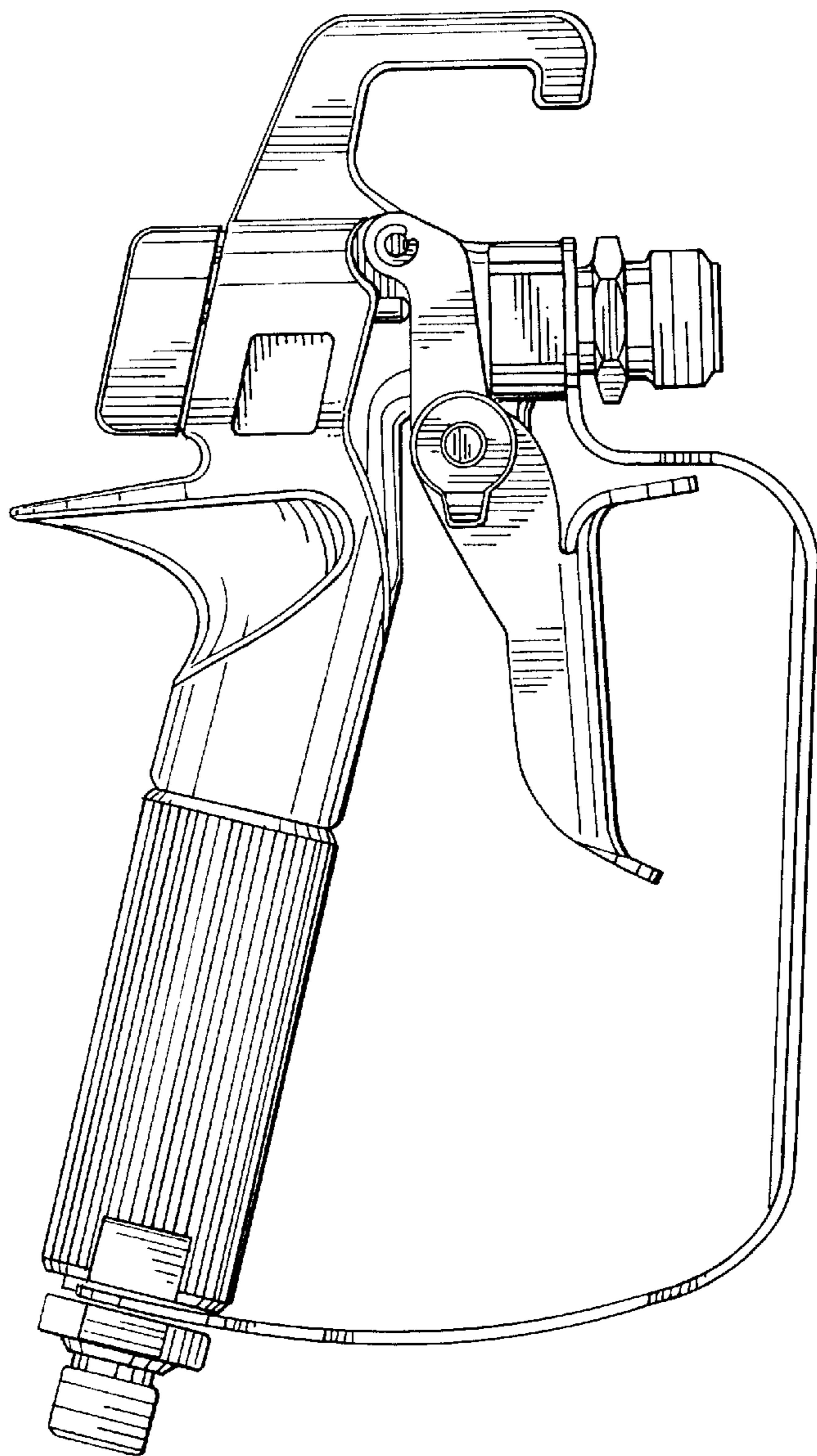


Fig. 7

