



US00D412963S

United States Patent [19]

Nelsen et al.

[11] Patent Number: Des. 412,963

[45] Date of Patent: ** Aug. 17, 1999

[54] WATER PURIFIER

[75] Inventors: Daniel J. Nelsen, Providence, R.I.; Roger H. Gagnon, Framingham, Mass.; Raymond P. Denkewicz, Jr., Warwick, R.I.; Stephen E. Lane, Jamestown, R.I.; Aidan J. Petrie, Providence, R.I.

[73] Assignee: Fountainhead Technologies, Inc., Smithfield, R.I.

[**] Term: 14 Years

[21] Appl. No.: 29/089,448

[22] Filed: Jun. 15, 1998

[51] LOC (6) Cl. 23-01

[52] U.S. Cl. D23/209; D23/207

[58] Field of Search D23/260, 207, D23/209; 210/435, 459, 460, 497.01, 497.1

[56] References Cited

U.S. PATENT DOCUMENTS

D. 372,069	7/1996	Brancazio et al.	D23/209
D. 377,388	1/1997	Weber et al.	D23/207
D. 380,535	7/1997	Joergensen	D23/365

Primary Examiner—Robin V. Taylor
Attorney, Agent, or Firm—Dean W. Russell; Kilpatrick Stockton LLP

[57] CLAIM

The ornamental design for a water purifier, as shown and described.

DESCRIPTION

FIG. 1 is a perspective view of the front, top and one side of one embodiment of our new design;
 FIG. 2 is an elevational view of the front of the embodiment of FIG. 1, the back being identically configured;
 FIG. 3 is an elevational view of a side of the embodiment of FIG. 1, the other side being identically configured;
 FIG. 4 is a top plan view of the embodiments of FIGS. 1 and 6;
 FIG. 5 is a bottom plan view of the embodiments of FIGS. 1 and 6;
 FIG. 6 is a perspective view of the front, top and one side of a second embodiment of our new design;
 FIG. 7 is an elevational view of the front of the embodiment of FIG. 6, the back being identically configured; and,
 FIG. 8 is an elevational view of a side of the embodiment of FIG. 6, the other side being identically configured.

1 Claim, 4 Drawing Sheets

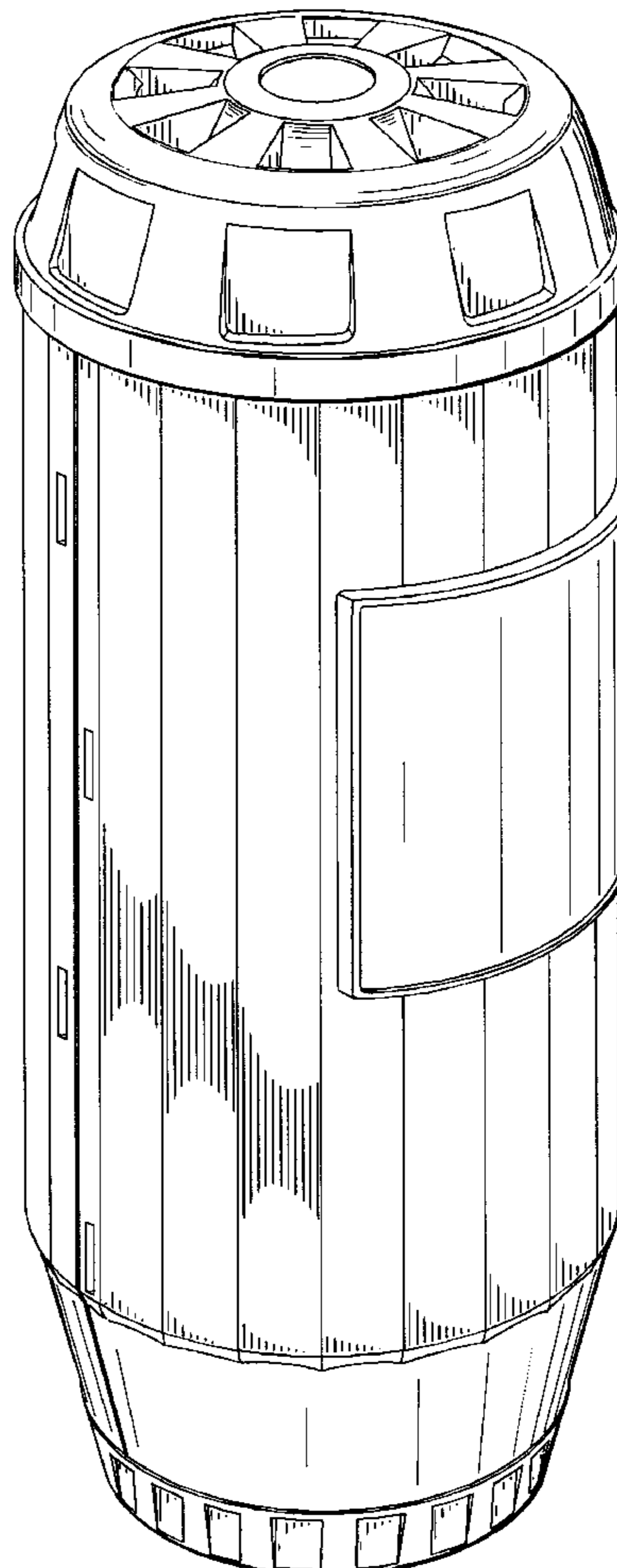
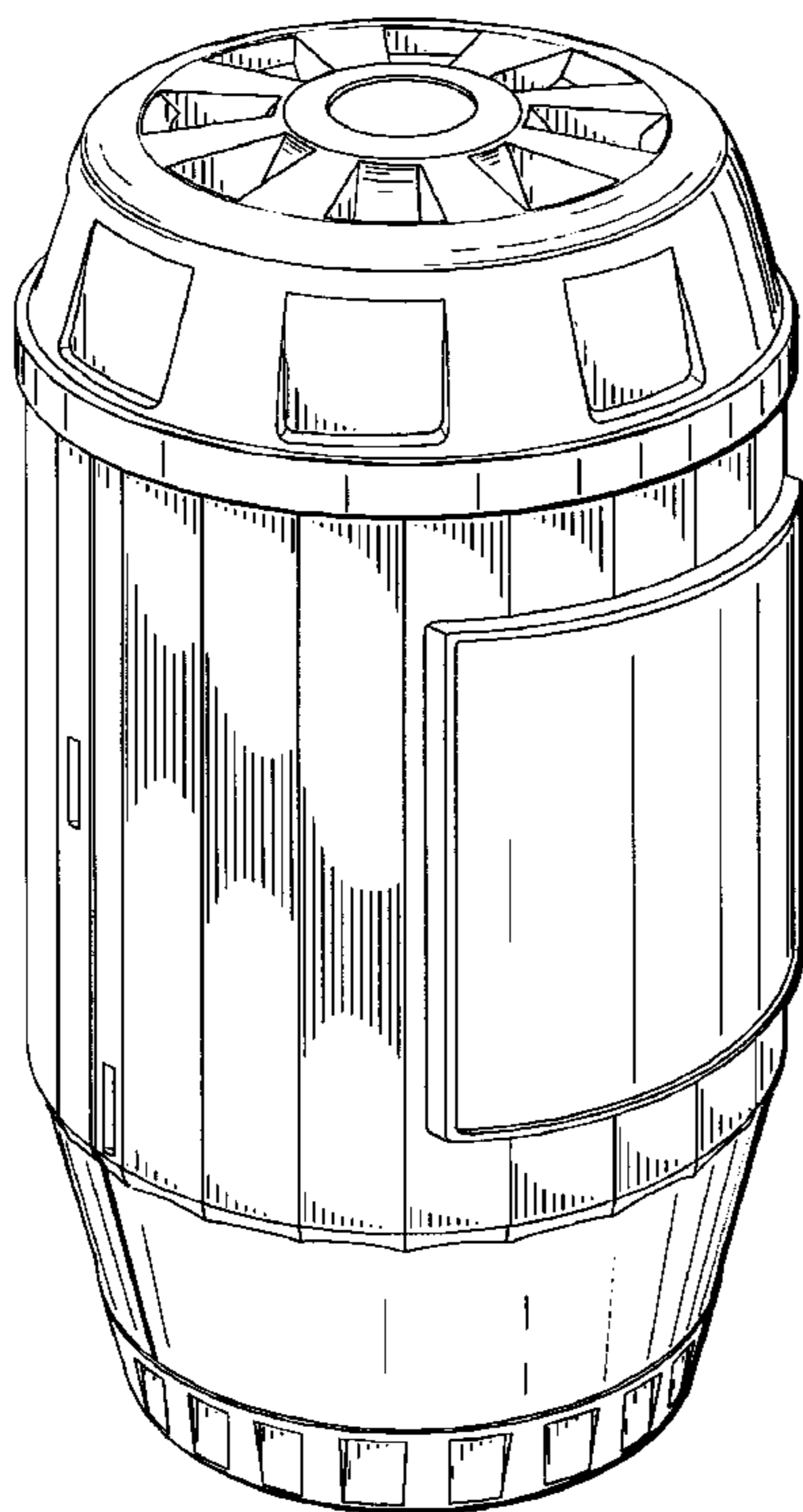


FIG. 1

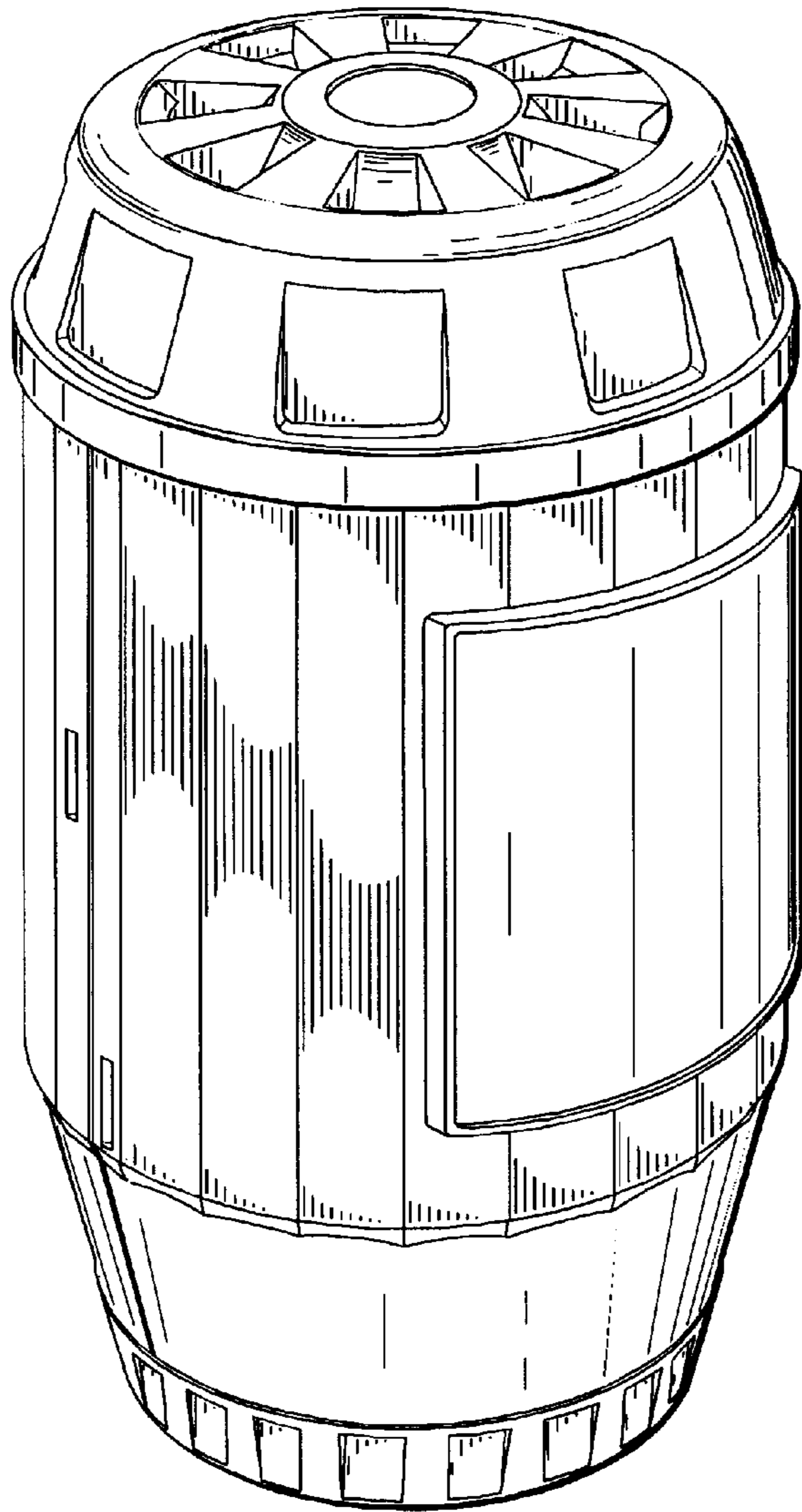
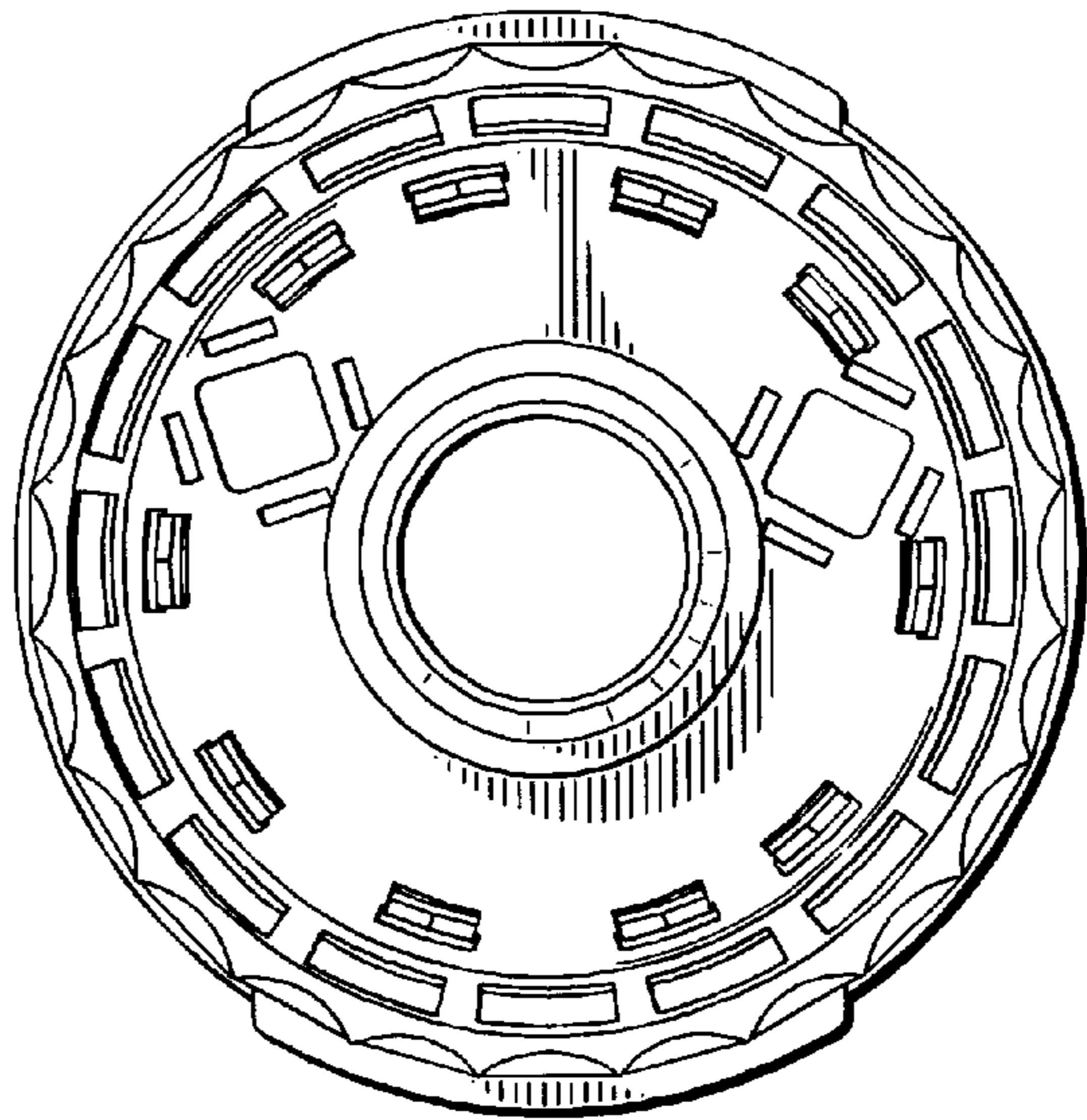


FIG. 5



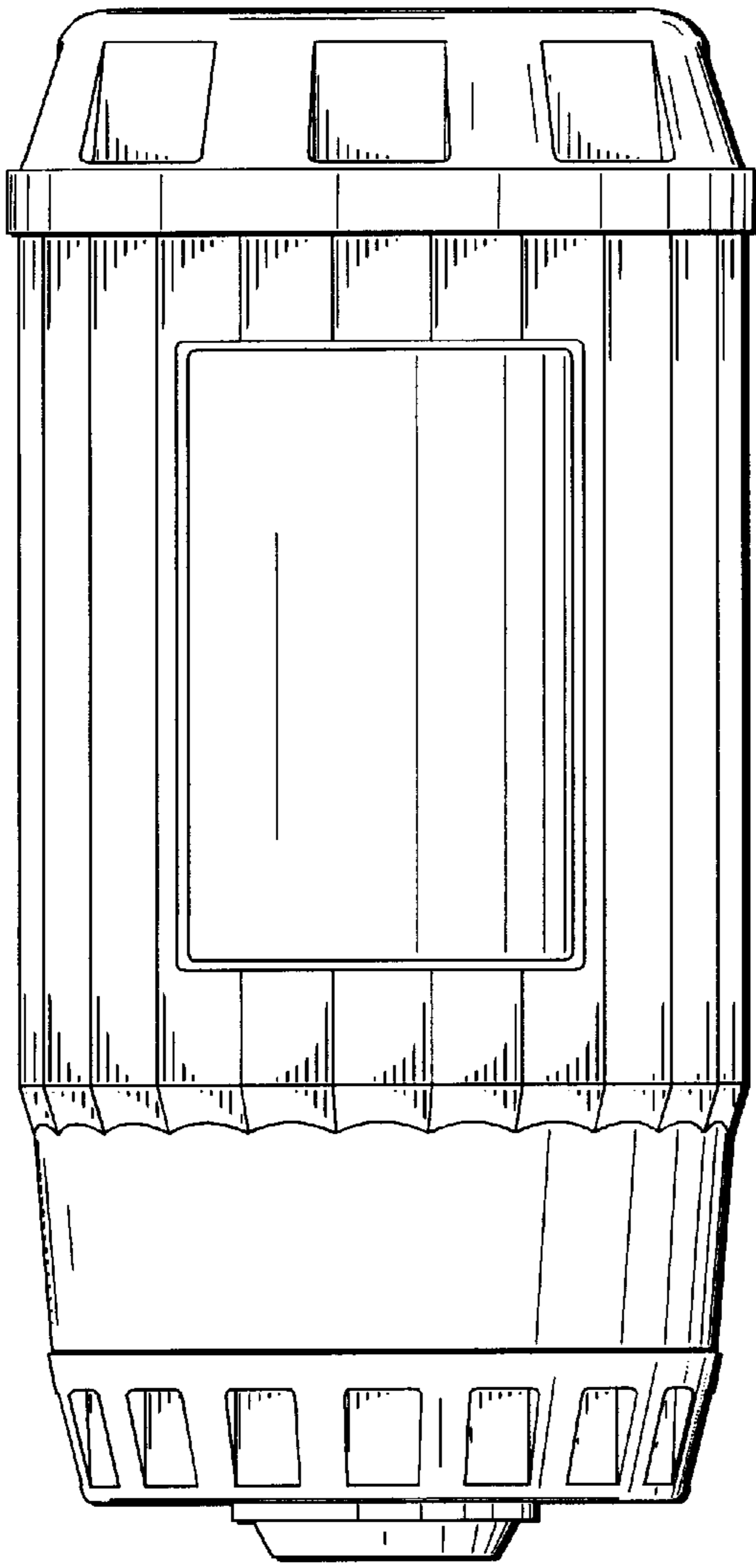


FIG. 2

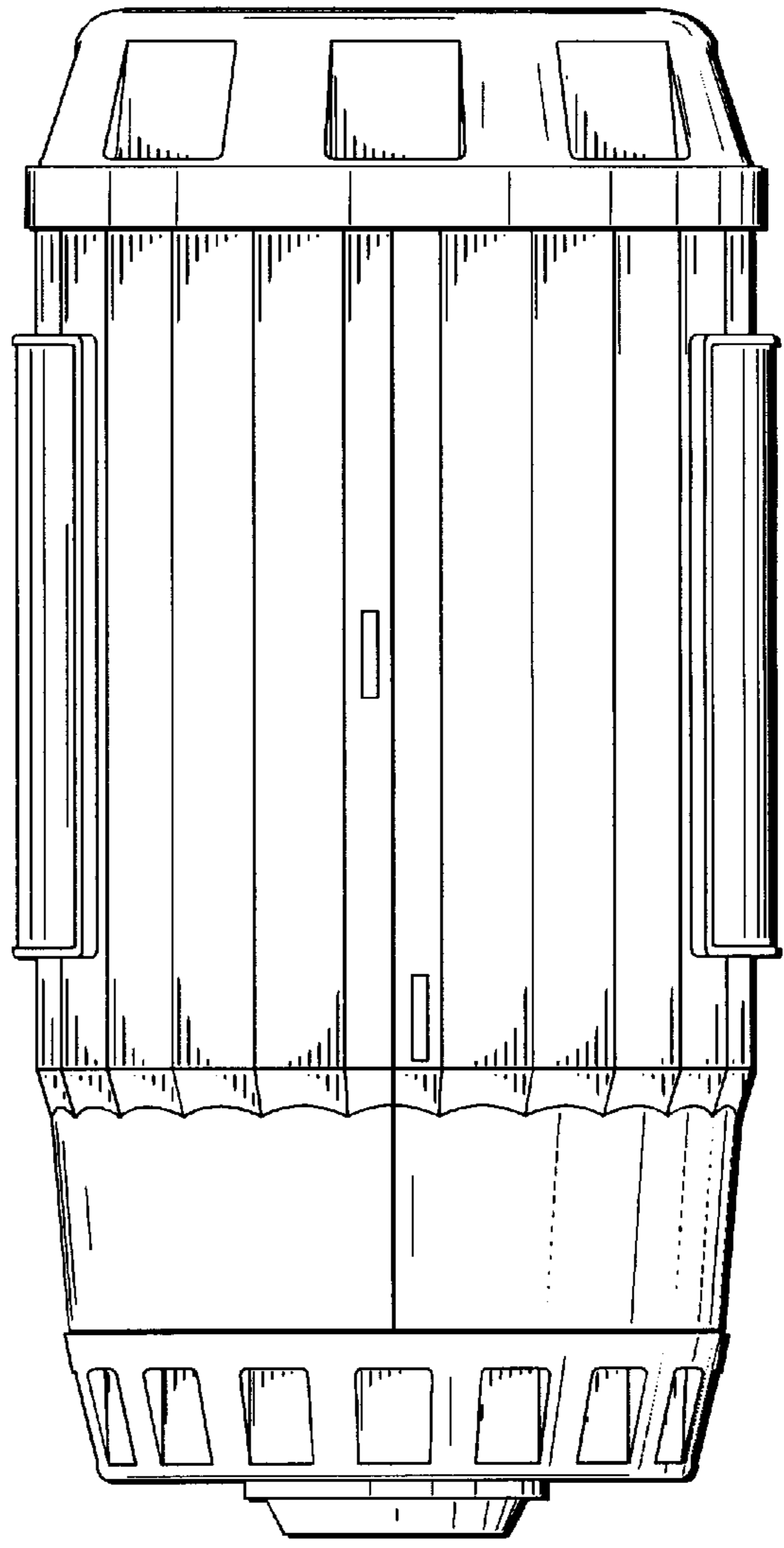
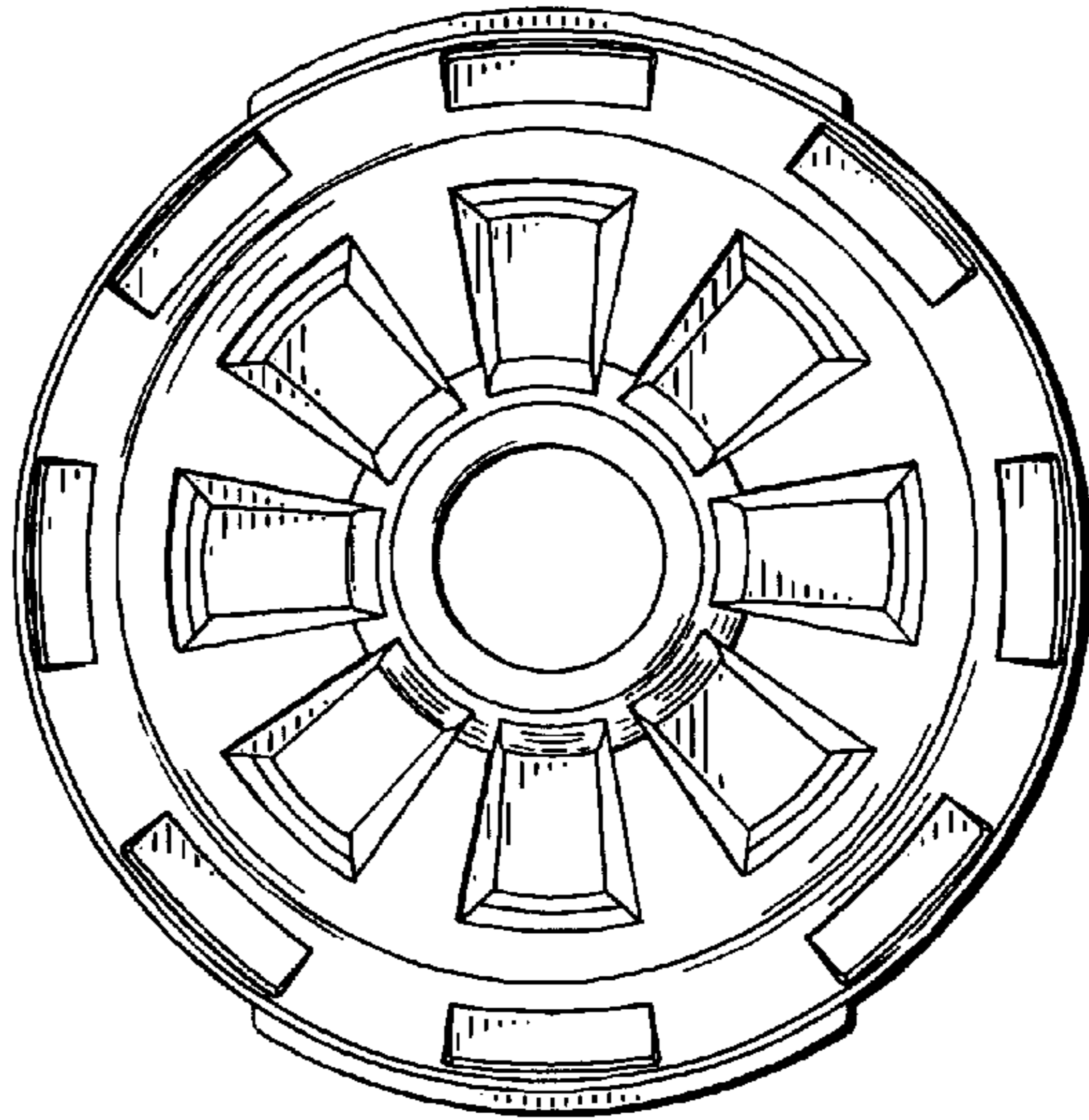


FIG. 3

FIG. 4



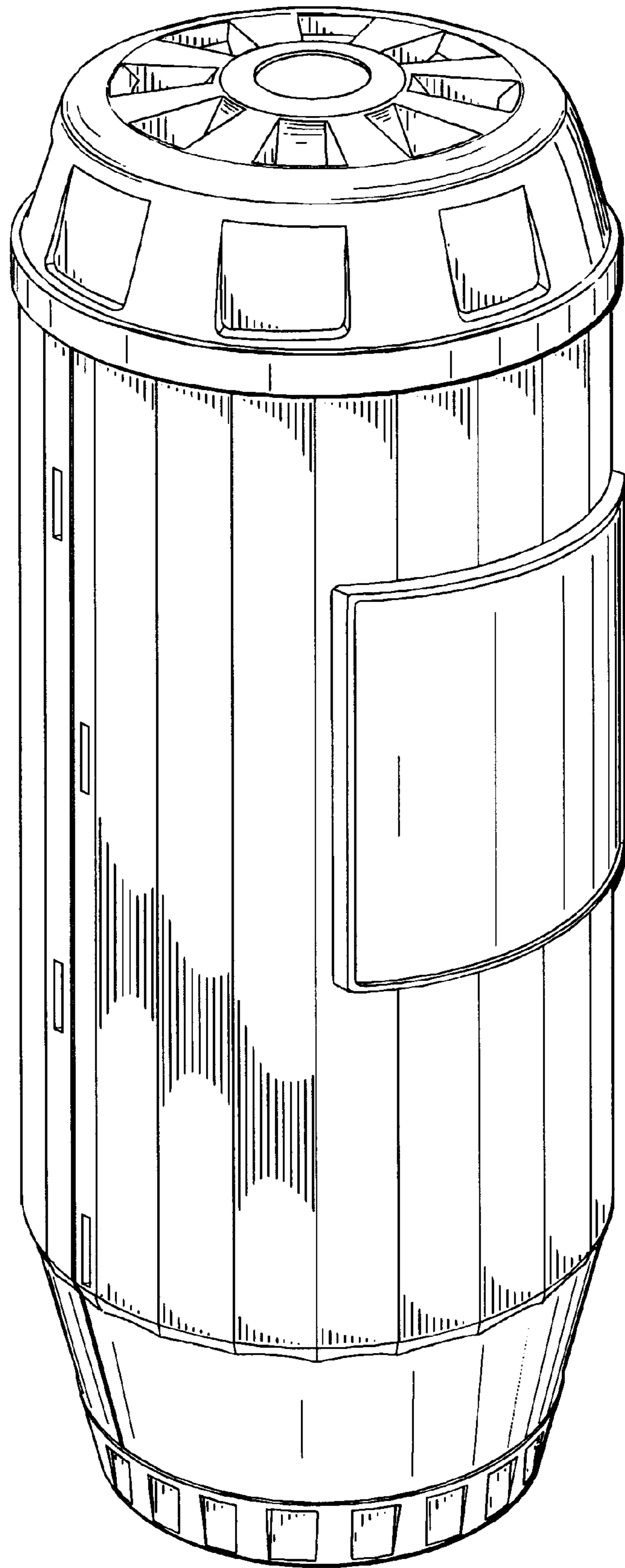


FIG. 6

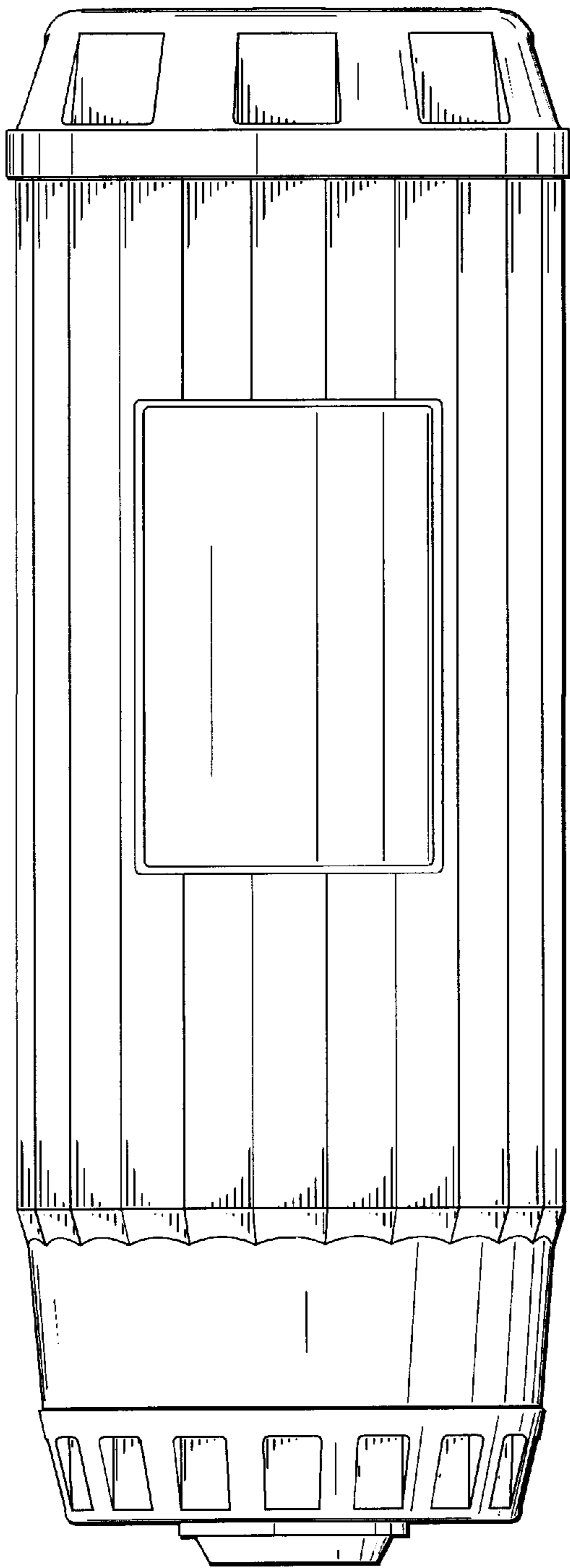


FIG. 7

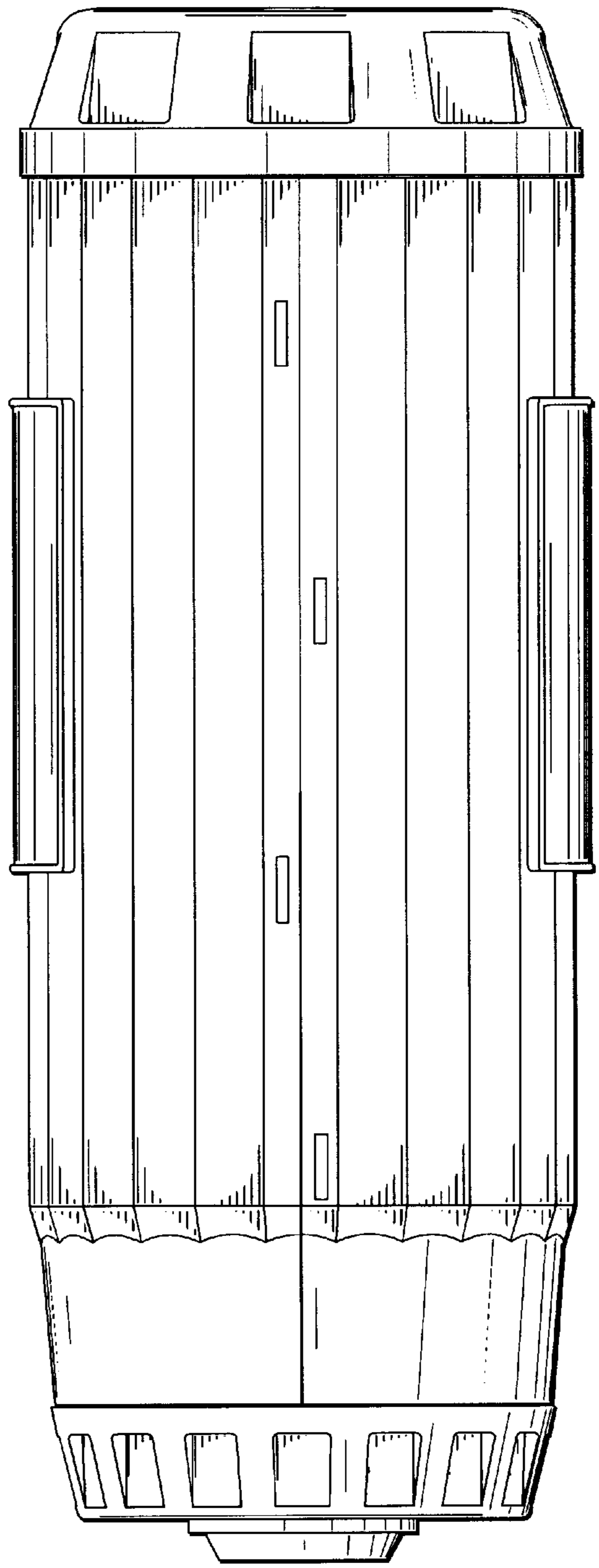


FIG. 8