



US00D412962S

**United States Patent** [19]  
**Riley**

[11] **Patent Number: Des. 412,962**

[45] **Date of Patent: \*\* Aug. 17, 1999**

[54] **BOOM ASSEMBLY OF HEATED EMULSION TANK**

[76] Inventor: **William H Riley, 3 Morton Dr., Lavallette, N.J. 08735**

[\*\*] Term: **14 Years**

[21] Appl. No.: **29/069,364**

[22] Filed: **Apr. 8, 1997**

[51] **LOC (6) Cl. .... 23-01**

[52] **U.S. Cl. .... D23/205**

[58] **Field of Search .... D23/200, 202-205; 220/567, 567.2, 560.03, 560.02, 560.09**

[56] **References Cited**

**U.S. PATENT DOCUMENTS**

- D. 298,273 10/1988 Cobb ..... D23/202
- D. 320,836 10/1991 Ahrenholtz et al. .... D23/202

- 4,960,222 10/1990 Fields ..... 220/560.07
- 5,282,546 2/1994 Bauer ..... 220/567.2
- 5,695,089 12/1997 Reese et al. .... 220/567
- 5,829,625 11/1998 Imagawa ..... 220/567.2

*Primary Examiner*—Robin V. Taylor

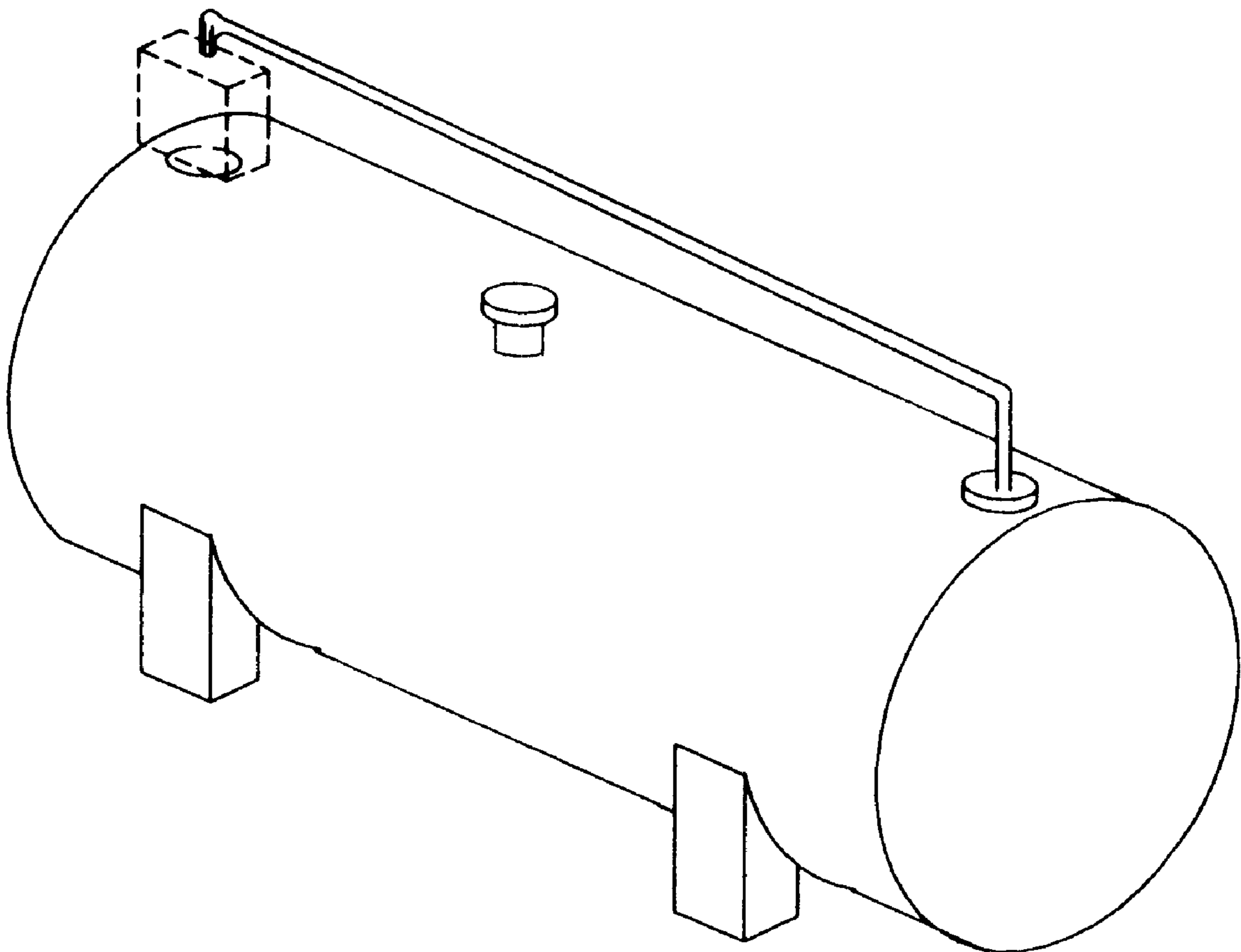
[57] **CLAIM**

The ornamental design for a boom assembly of heated emulsion tank, as shown and described.

**DESCRIPTION**

FIG. 1 is a right side and end perspective view of a boom assembly of heated emulsion tank showing my new design; FIG. 2 is a right side elevational view thereof; FIG. 3 is a left end view thereof; and, FIG. 4 is left side elevational view thereof. The broken lines showing in FIGS. 2-4 is for illustrative purposes only and forms no part of the claimed design.

**1 Claim, 1 Drawing Sheet**



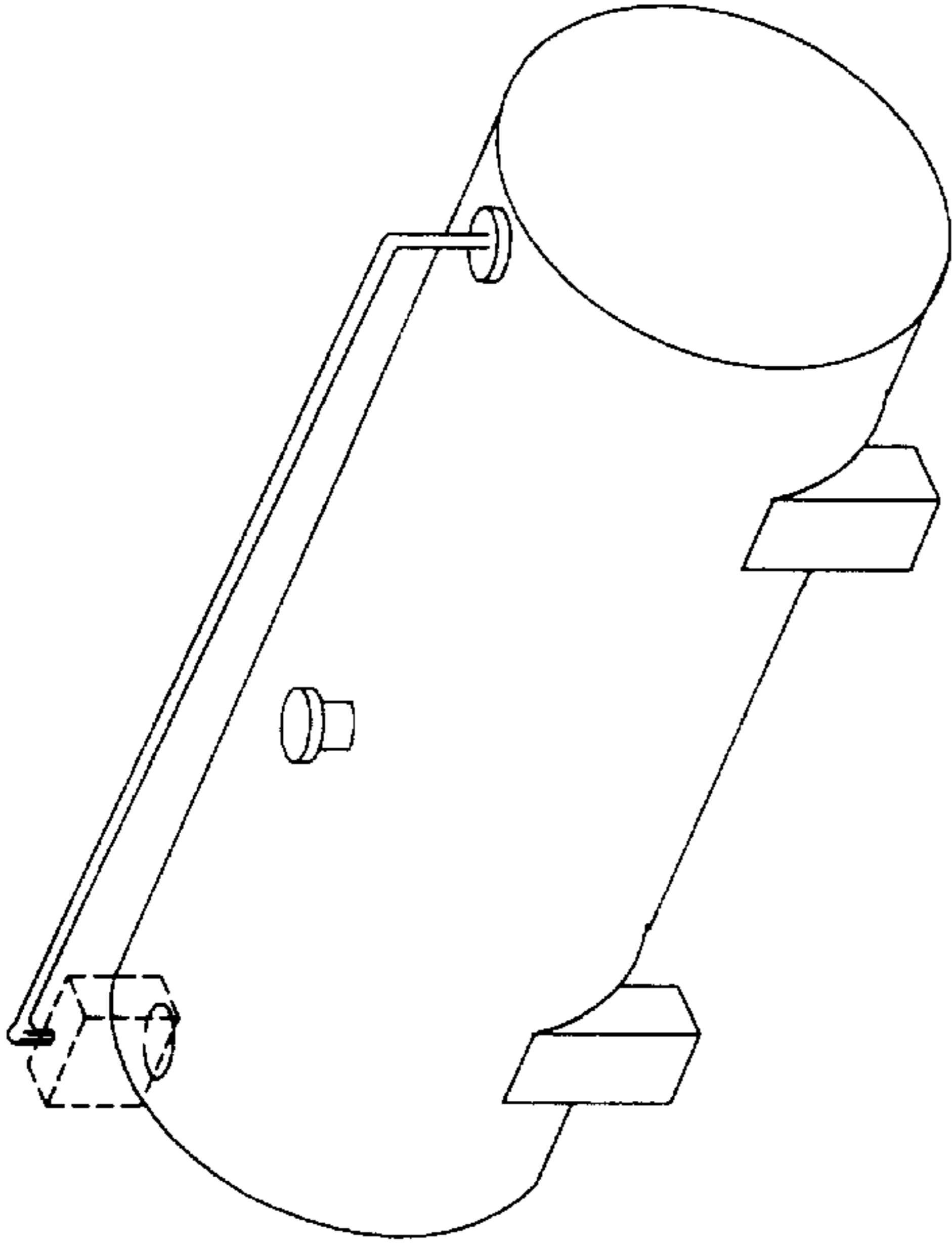


Figure 1

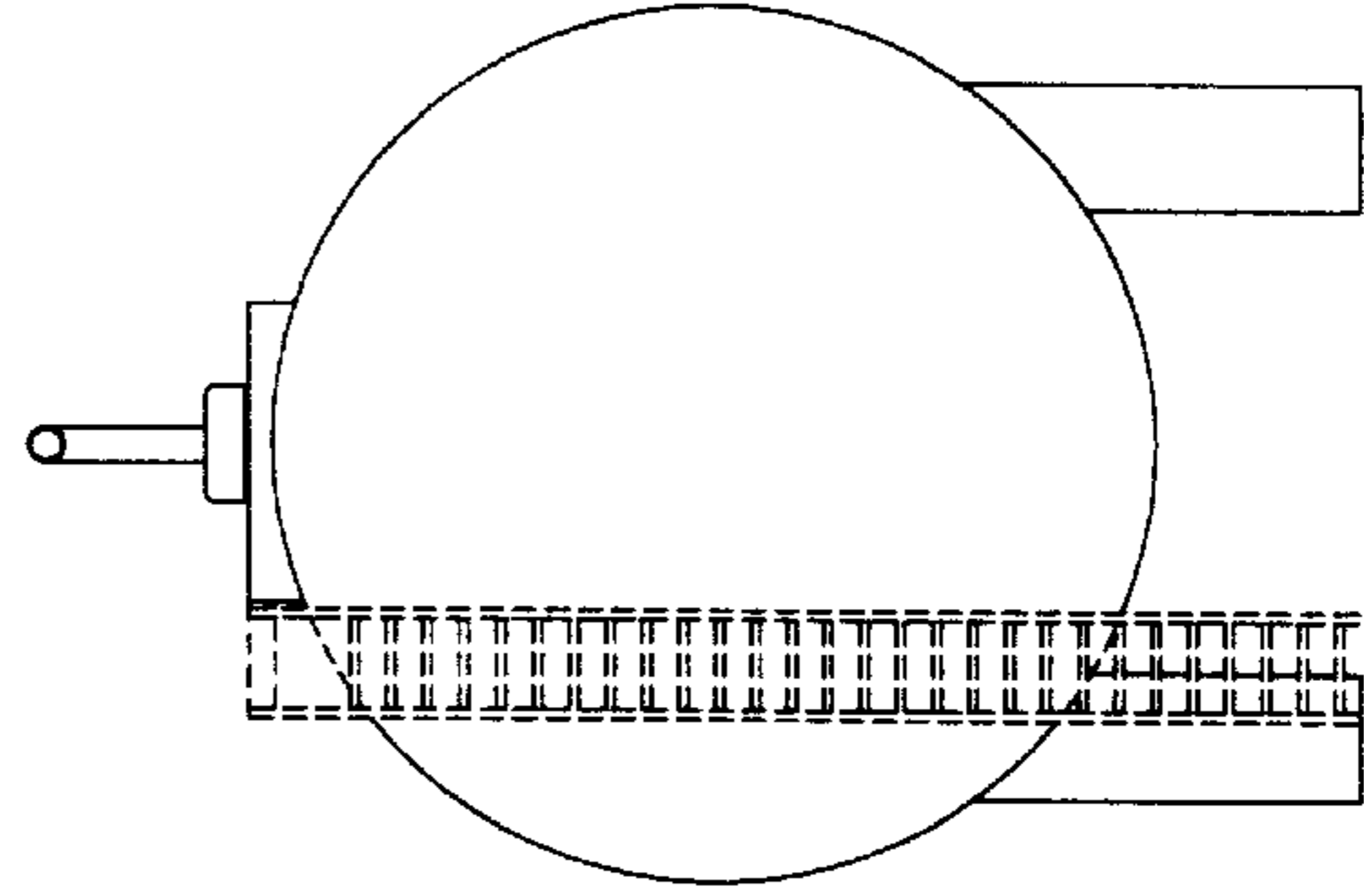


Figure 3

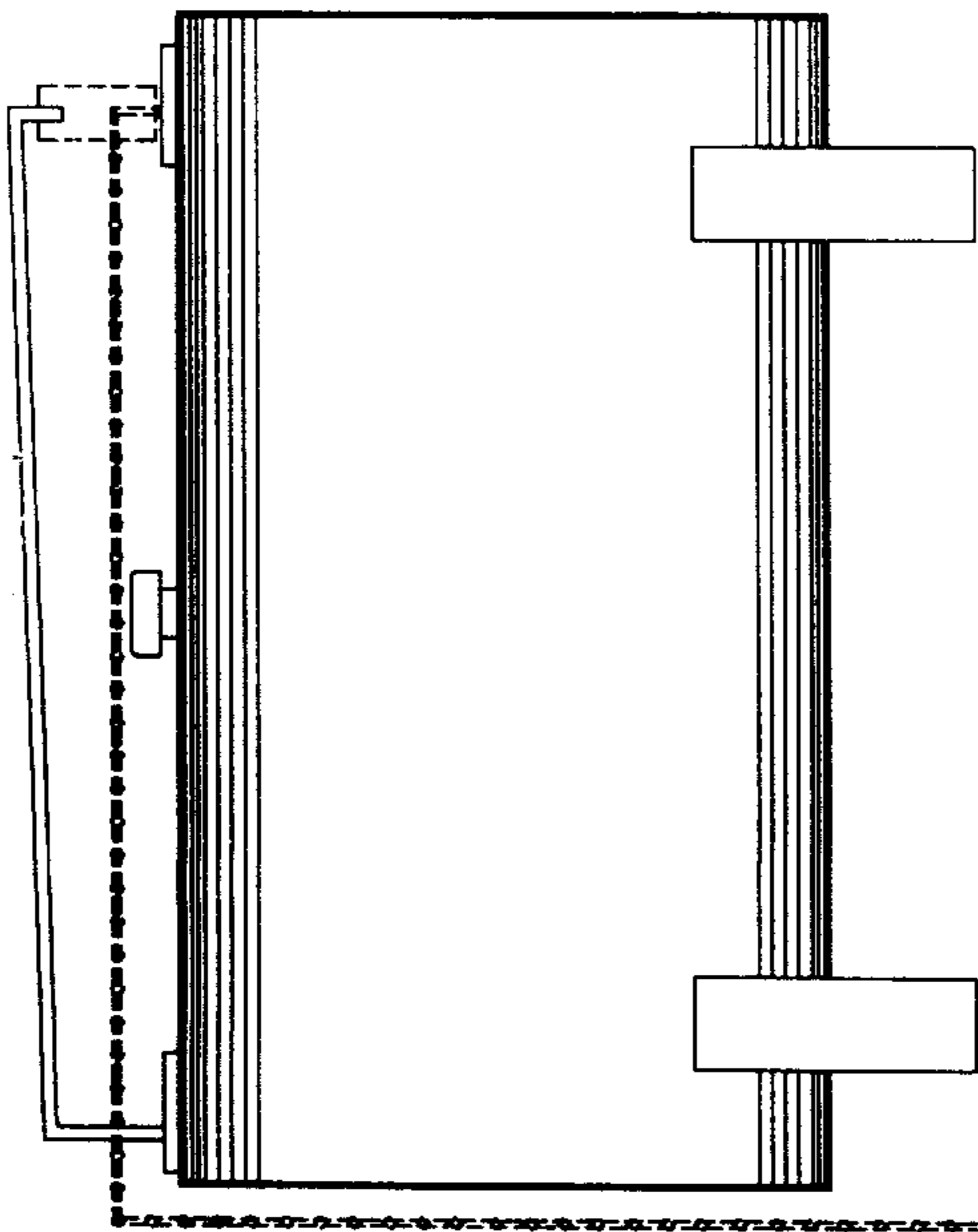


Figure 4

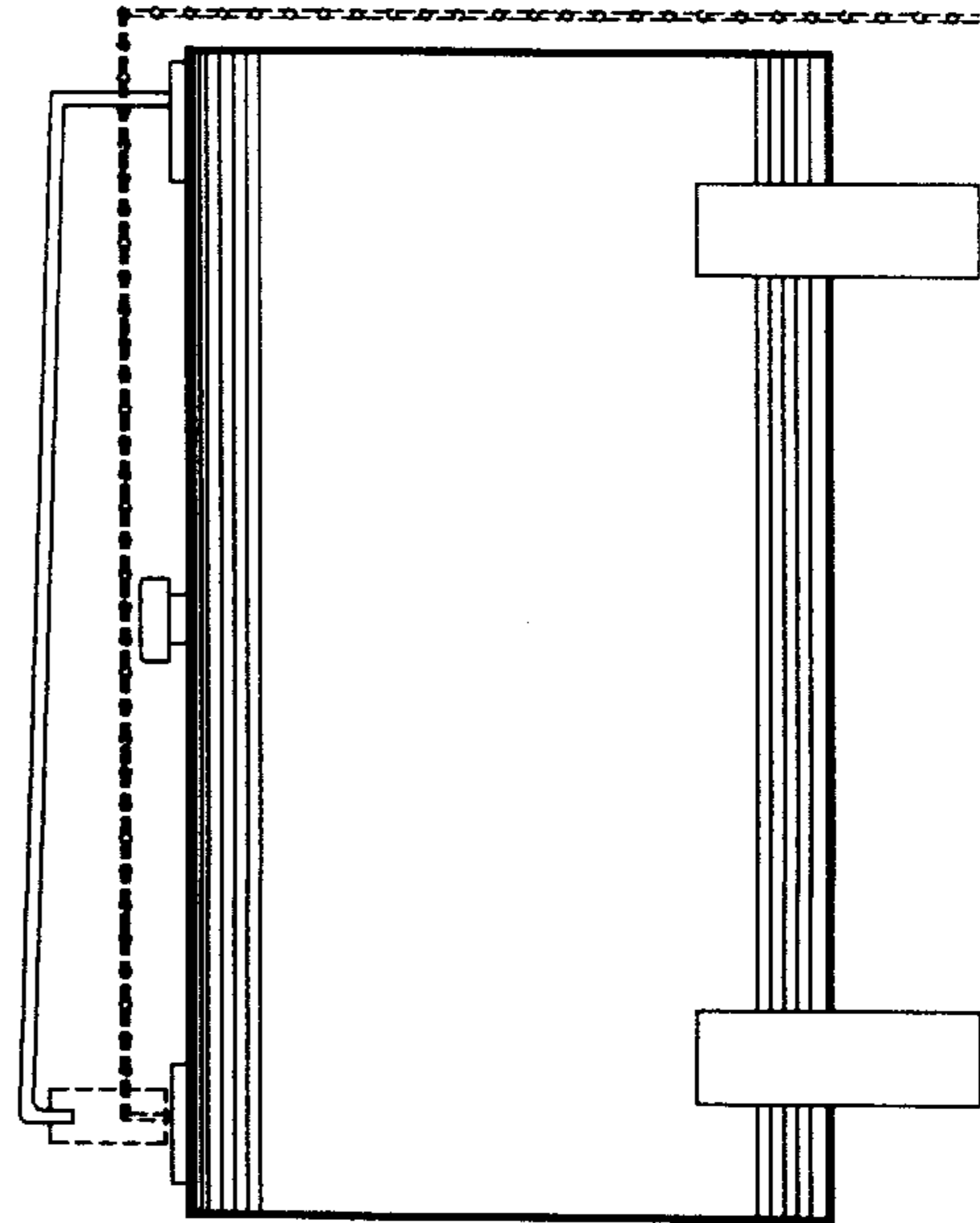


Figure 2