



US00D412961S

United States Patent [19] Cheung

[11] **Patent Number: Des. 412,961**

[45] **Date of Patent: ** Aug. 17, 1999**

[54] **PYROTECHNIC ROCKET**

[75] **Inventor: Ewan Chi Yuen Cheung**, Causeway Bay, The Hong Kong Special Administrative Region of the People's Republic of China

[73] **Assignee: Inter-Oriental Pyrotechnic, Ltd.**, The Hong Kong Special Administrative Region of the People's Republic of China

[**] **Term: 14 Years**

[21] **Appl. No.: 29/096,204**

[22] **Filed: Nov. 6, 1998**

[51] **LOC (6) Cl. 22-03**

[52] **U.S. Cl. D22/112; D22/199**

[58] **Field of Search** D22/100, 112, D22/199; D21/741, 658, 659; 102/334, 361, 399, 400; 446/399, 400, 401, 402; D20/31

[56] **References Cited**

U.S. PATENT DOCUMENTS

282,891 8/1883 Hirayama 102/399

D. 332,761	1/1993	Mankey	D2/741 X
D. 361,367	8/1995	Shair	D22/112
385,562	7/1888	Mannie	102/399
885,802	4/1908	Sterrick	D21/660 X
2,361,841	10/1944	Healy	102/399
2,718,094	9/1955	MacInnes	102/400
2,752,729	7/1956	MacInnes	102/400

Primary Examiner—B. J. Bullock
Assistant Examiner—Monica A. Weingart
Attorney, Agent, or Firm—E. Alan Uebler, P.A.

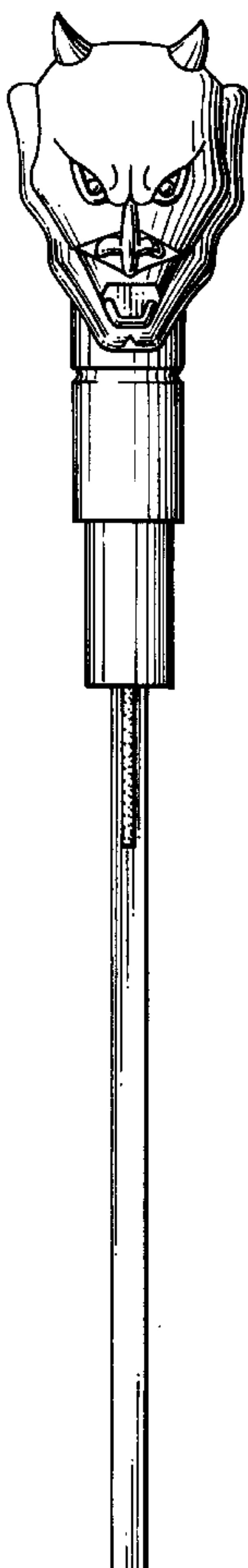
[57] **CLAIM**

The ornamental design for a pyrotechnic rocket, as shown and described.

DESCRIPTION

FIG. 1 is a front elevational view of a pyrotechnic rocket according to this invention;
FIG. 2 is a rear elevational view;
FIG. 3 is a right side elevational view of the pyrotechnic rocket, the left side elevation being a mirror image thereof;
FIG. 4 is a top plan view thereof; and,
FIG. 5 is a bottom plan view thereof.

1 Claim, 2 Drawing Sheets



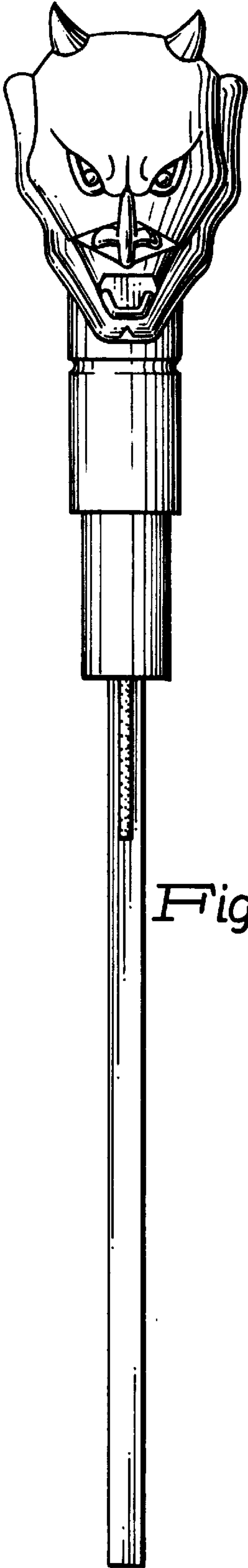


Fig. 1.

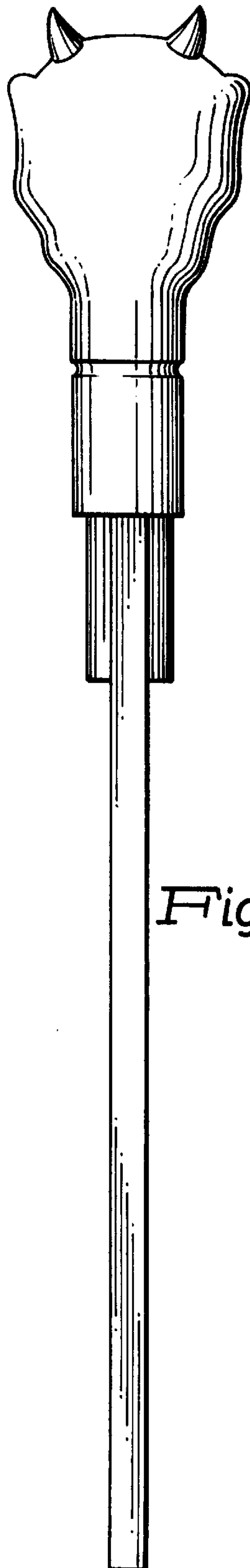


Fig. 2.

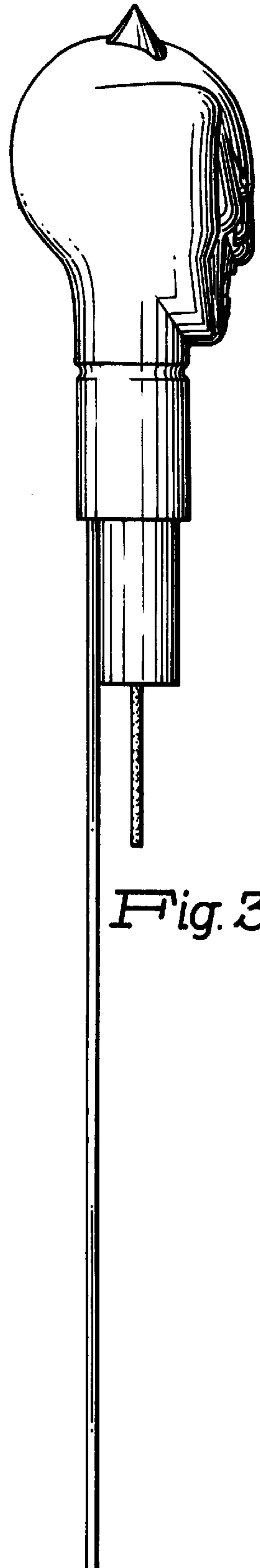


Fig. 3.

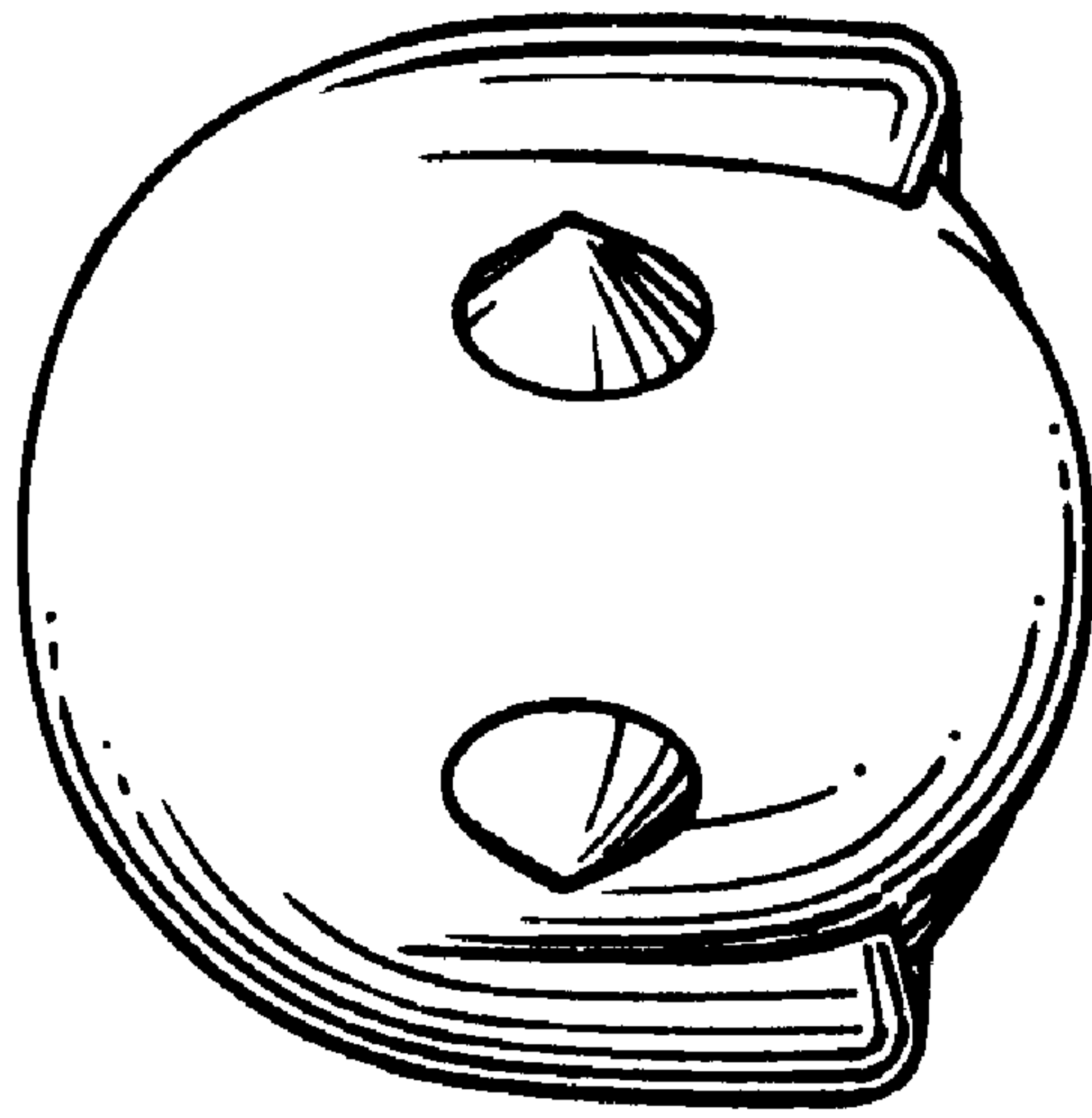


Fig. 4.

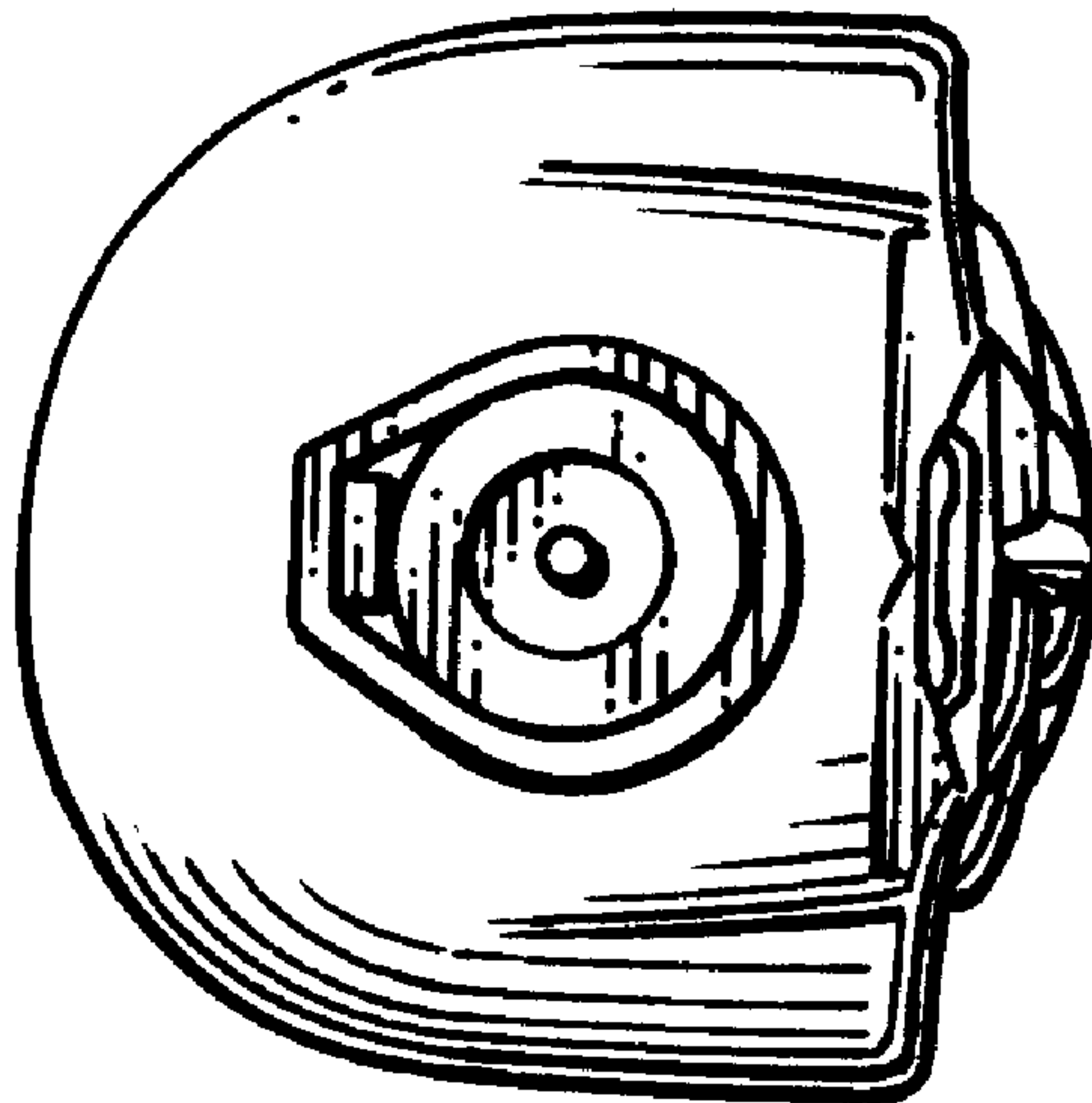


Fig. 5.