



US00D412958S

United States Patent [19]
Sisson

[11] **Patent Number: Des. 412,958**

[45] **Date of Patent: ** Aug. 17, 1999**

[54] **GOLF TEE TREE**

[75] Inventor: **John Hartley Sisson**, 4/66 Humphries Terrace, Kilkenny, South Australia, Australia

[73] Assignees: **John Hartley Sisson; Lesley Sisson**, both of South Australia, Australia

[**] Term: **14 Years**

[21] Appl. No.: **29/097,512**

[22] Filed: **Dec. 8, 1998**

[30] **Foreign Application Priority Data**

Jun. 19, 1998 [AU] Australia 1787/98

[51] **LOC (6) Cl.** **21-02**

[52] **U.S. Cl.** **D21/796**

[58] **Field of Search** D27/789, 796;
473/284, 285, 408; 224/267, 269, 247;
206/315.1

[56] **References Cited**

U.S. PATENT DOCUMENTS

D. 338,254 8/1993 Ribbeck D21/796 X

D. 387,837 12/1997 Luchynsky D21/796
1,789,910 1/1931 Rosenstein 206/315.1
4,830,248 5/1989 Pommenville 224/269
5,158,179 10/1992 Gosselin 206/315.1
5,782,708 7/1998 Kimball, Jr. 473/408

OTHER PUBLICATIONS

Austads; p. 32; "tee Caddy;" left side of page.

Primary Examiner—Mitchell I Siegel
Attorney, Agent, or Firm—Tim Headley; Haynes and Boone, L.L.P.

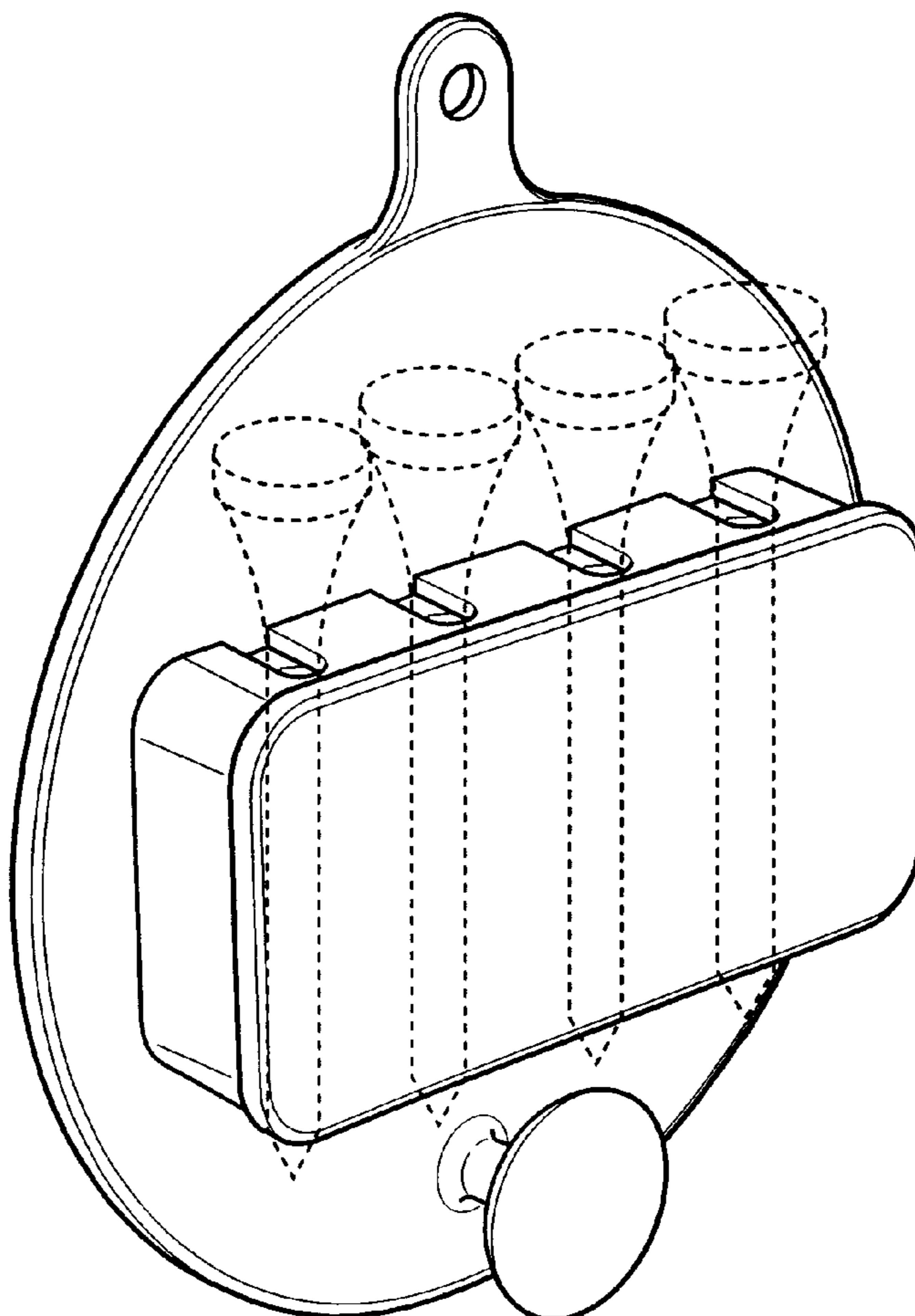
[57] **CLAIM**

The ornamental design for a golf tee tree, as shown and described.

DESCRIPTION

FIG. 1 is a top view;
FIG. 2 is a front view;
FIG. 3 is an underside view;
FIG. 4 is a side view; and,
FIG. 5 is a side perspective view.
The broken line showing of golf tees is for illustrative purposes only and forms no part of the claimed design.

1 Claim, 1 Drawing Sheet



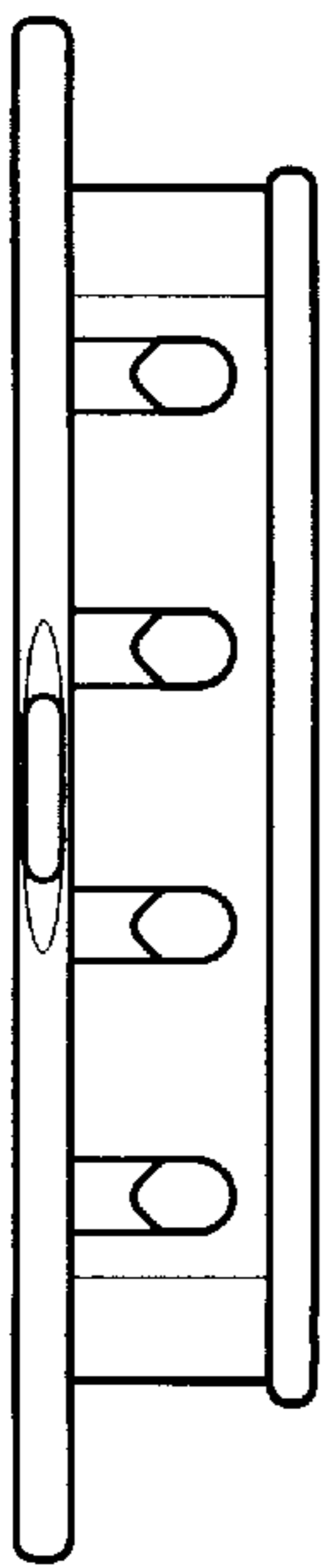


FIG 1

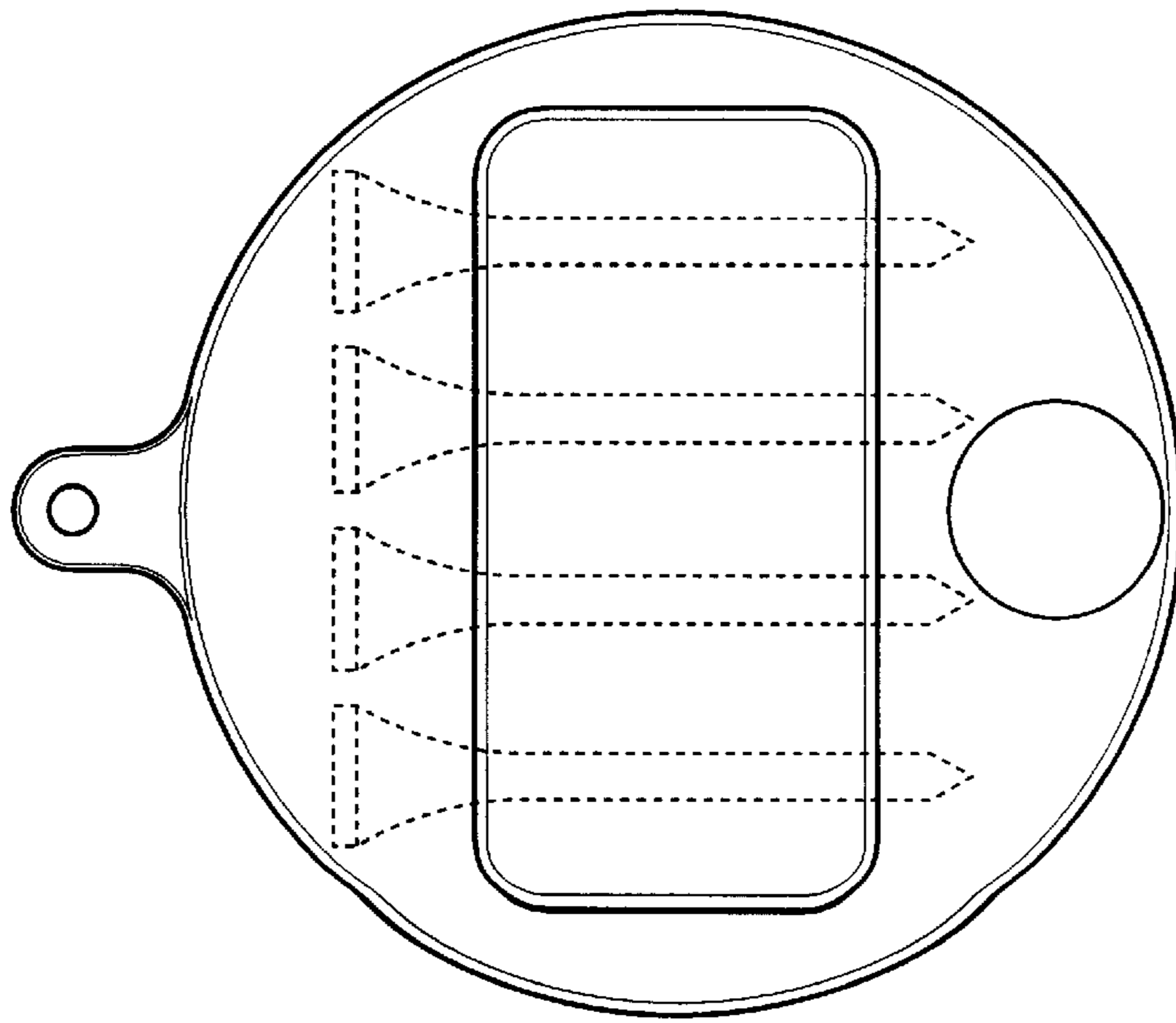


FIG 2

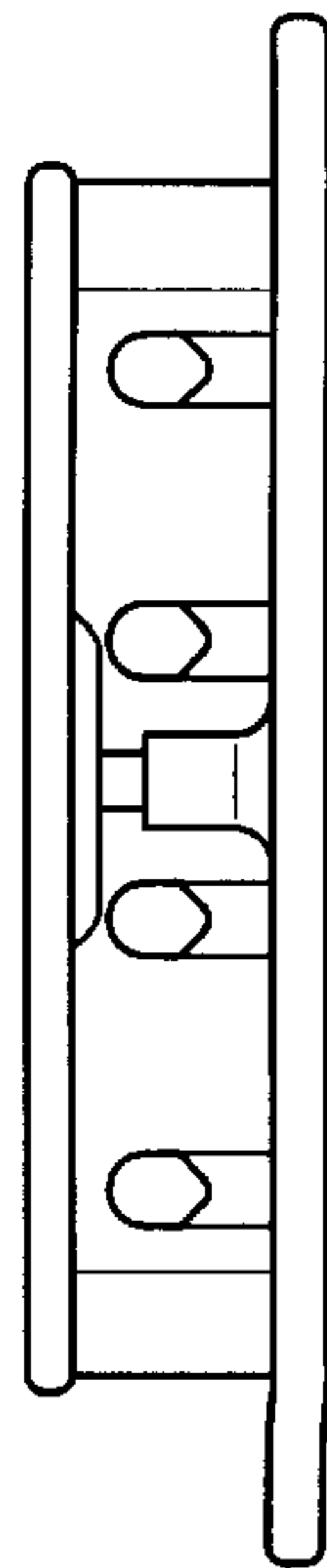


FIG 3

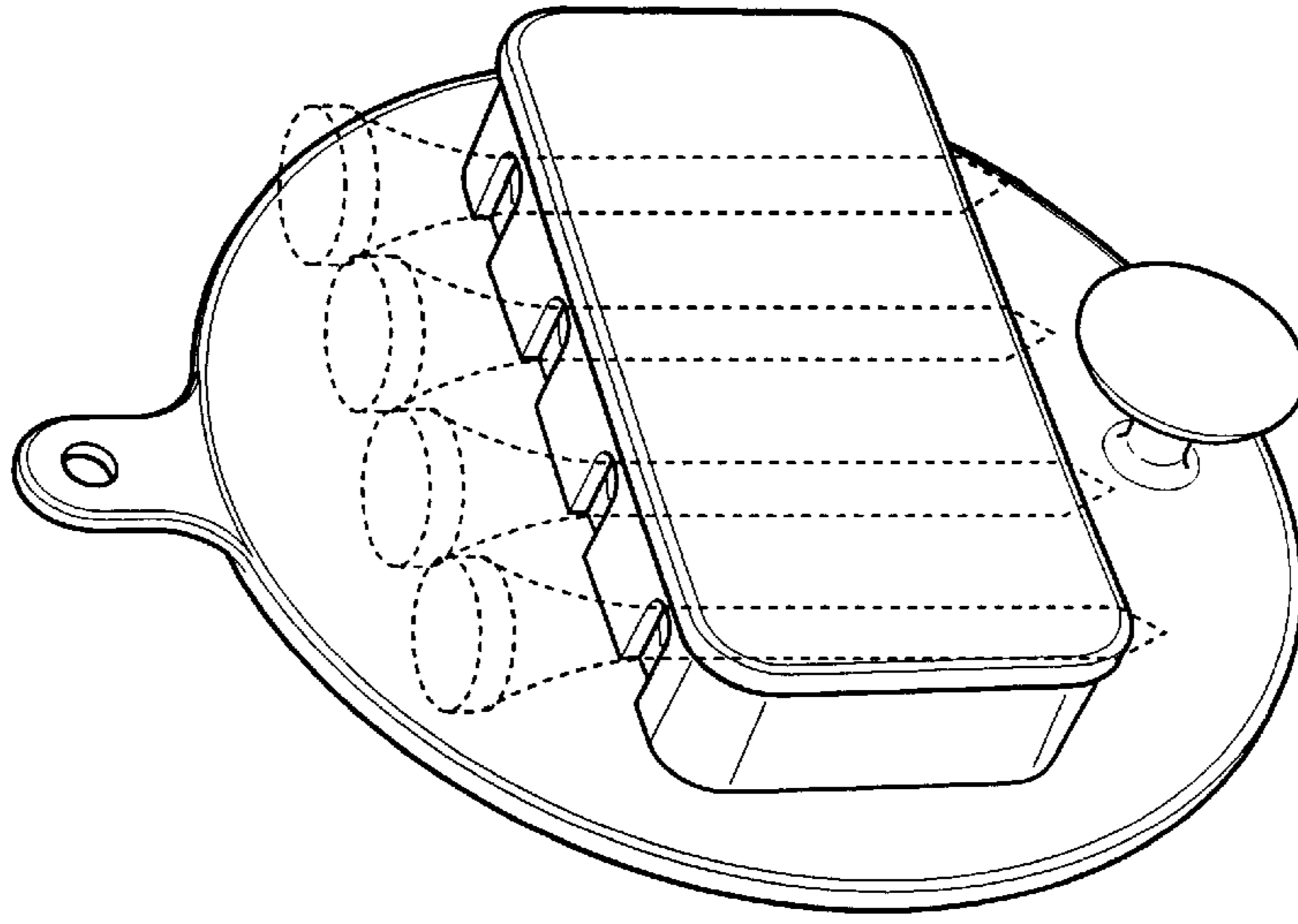


FIG 4

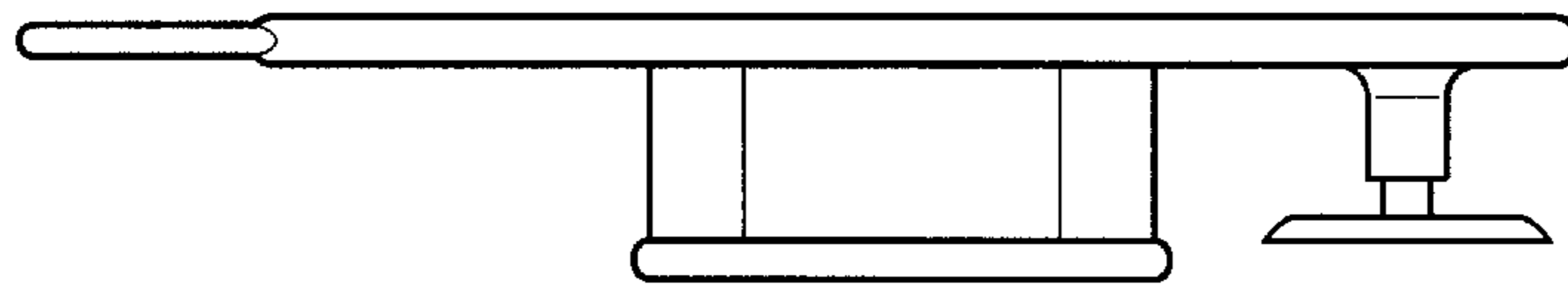


FIG 5