



US00D412956S

United States Patent [19]

Urbanski et al.

[11] Patent Number: Des. 412,956

[45] Date of Patent: ** Aug. 17, 1999

[54] **GOLF CLUB DRIVER HEAD**

[75] Inventors: **Thomas Gary Urbanski**, Barrie, Canada; **David Mitchell**, Amherst, N.Y.

[73] Assignee: **V-Flyte Golf Corporation**, Canada

[**] Term: **14 Years**

[21] Appl. No.: **29/082,863**

[22] Filed: **Nov. 20, 1997**

[51] **LOC (6) Cl.** **21-02**

[52] **U.S. Cl.** **D21/733**

[58] **Field of Search** **D21/733, 752; 473/324, 327, 328, 345, 346**

[56] **References Cited**

U.S. PATENT DOCUMENTS

1,437,463	5/1922	Boye	473/342
1,619,566	3/1927	Crankshaw	473/242
4,319,752	3/1982	Thompson	473/328

Primary Examiner—Mitchell I. Siegel
Attorney, Agent, or Firm—Fitzpatrick, Cella, Harper & Scinto

[57] **CLAIM**

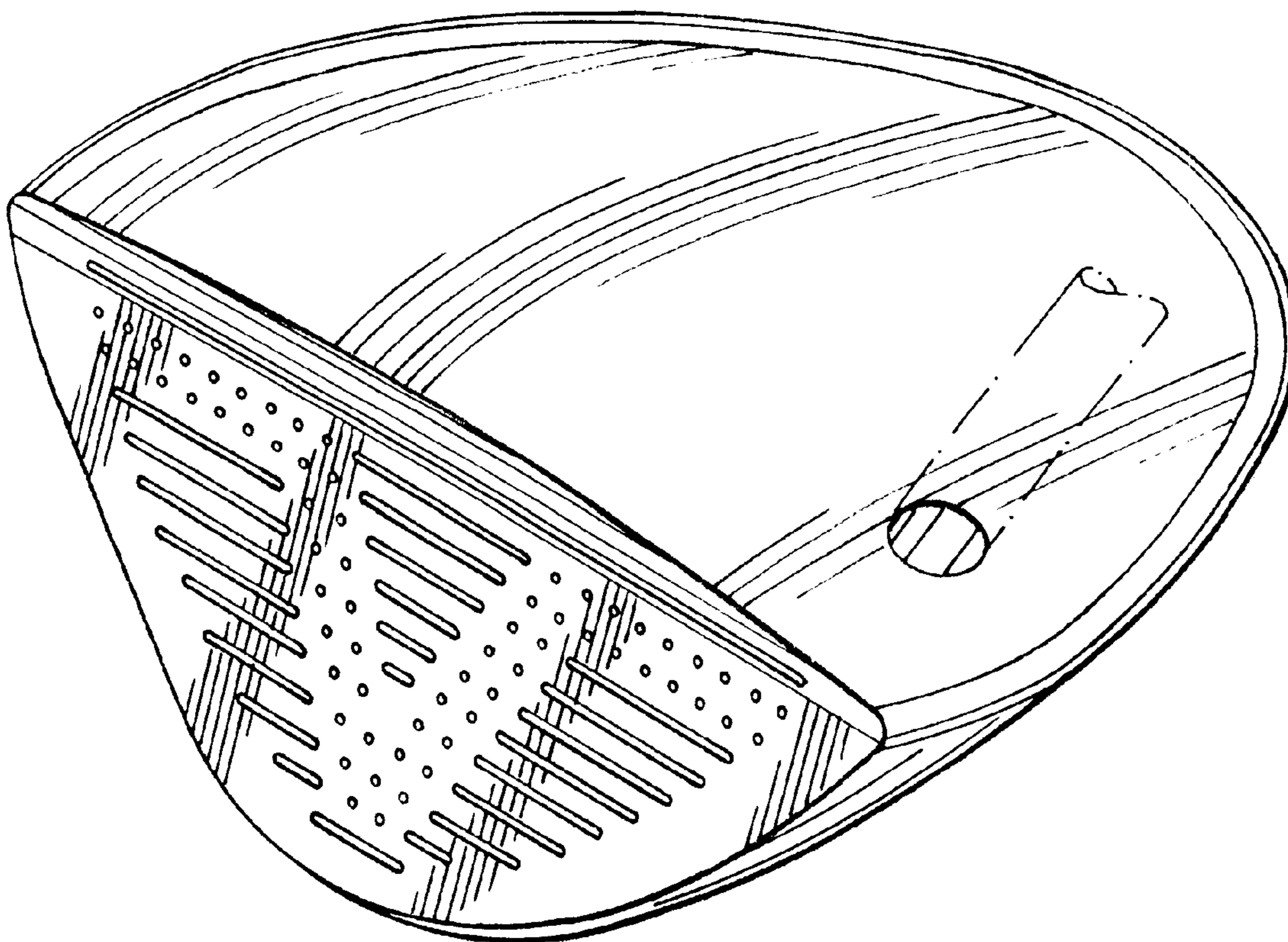
The ornamental design for a golf club driver head, as shown and described.

DESCRIPTION

FIG. 1 is a perspective view of the golf club driver head of our design;
FIG. 2 is a top elevational view of the golf club driver head of FIG. 1;
FIG. 3 is a front elevational view of the golf club driver head of FIG. 1;
FIG. 4 is a side elevational view of the golf club driver head of FIG. 1;
FIG. 5 is a rear view of the golf club driver head of FIG. 1;
FIG. 6 is an opposite side elevational view of the golf club driver head of FIG. 1; and,
FIG. 7 is a bottom view of the golf club driver head of FIG. 1.

The broken line showing of a fragmented shaft is for illustrative purposes only and forms no part of the claimed design.

1 Claim, 4 Drawing Sheets



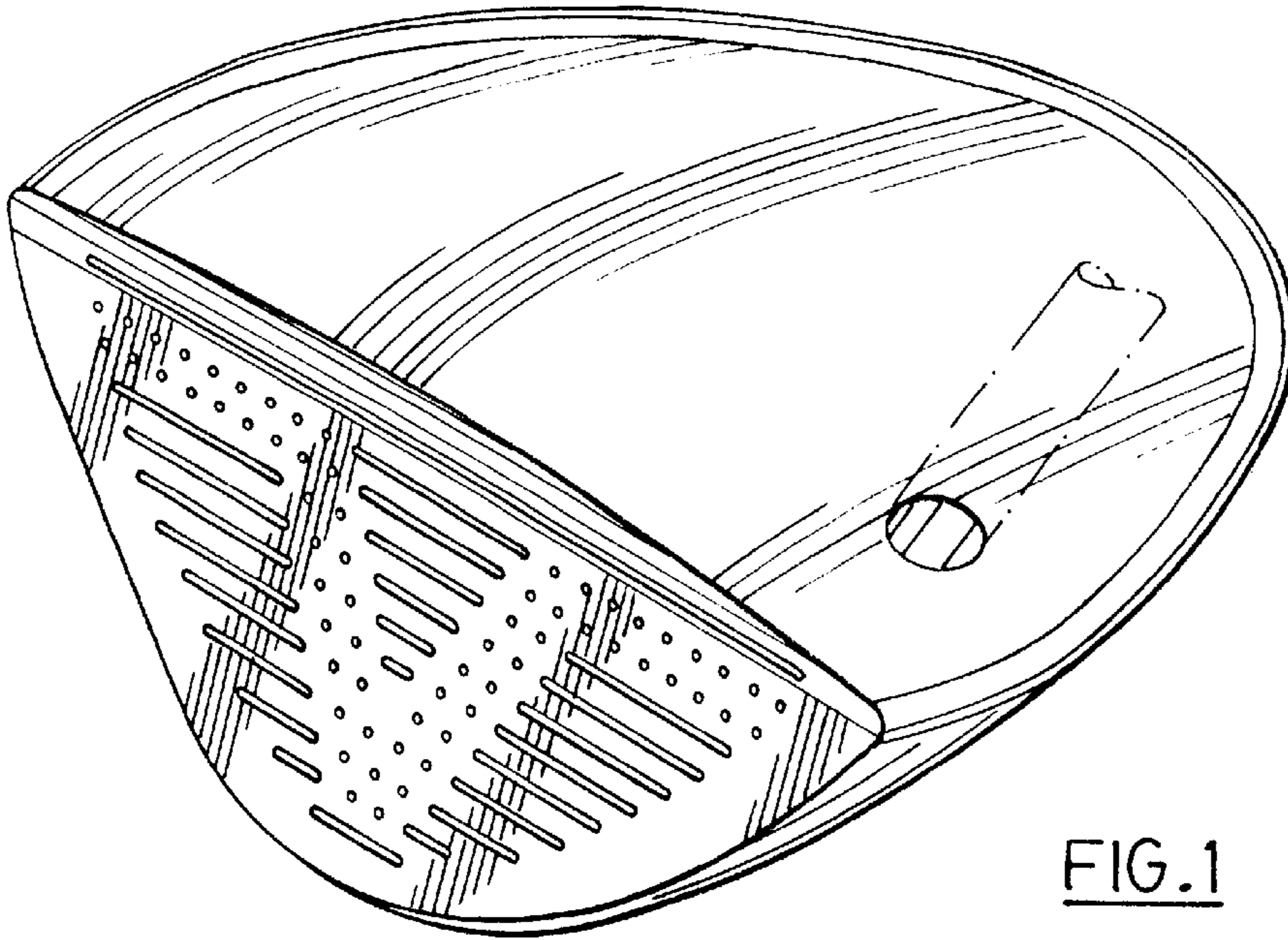


FIG. 1

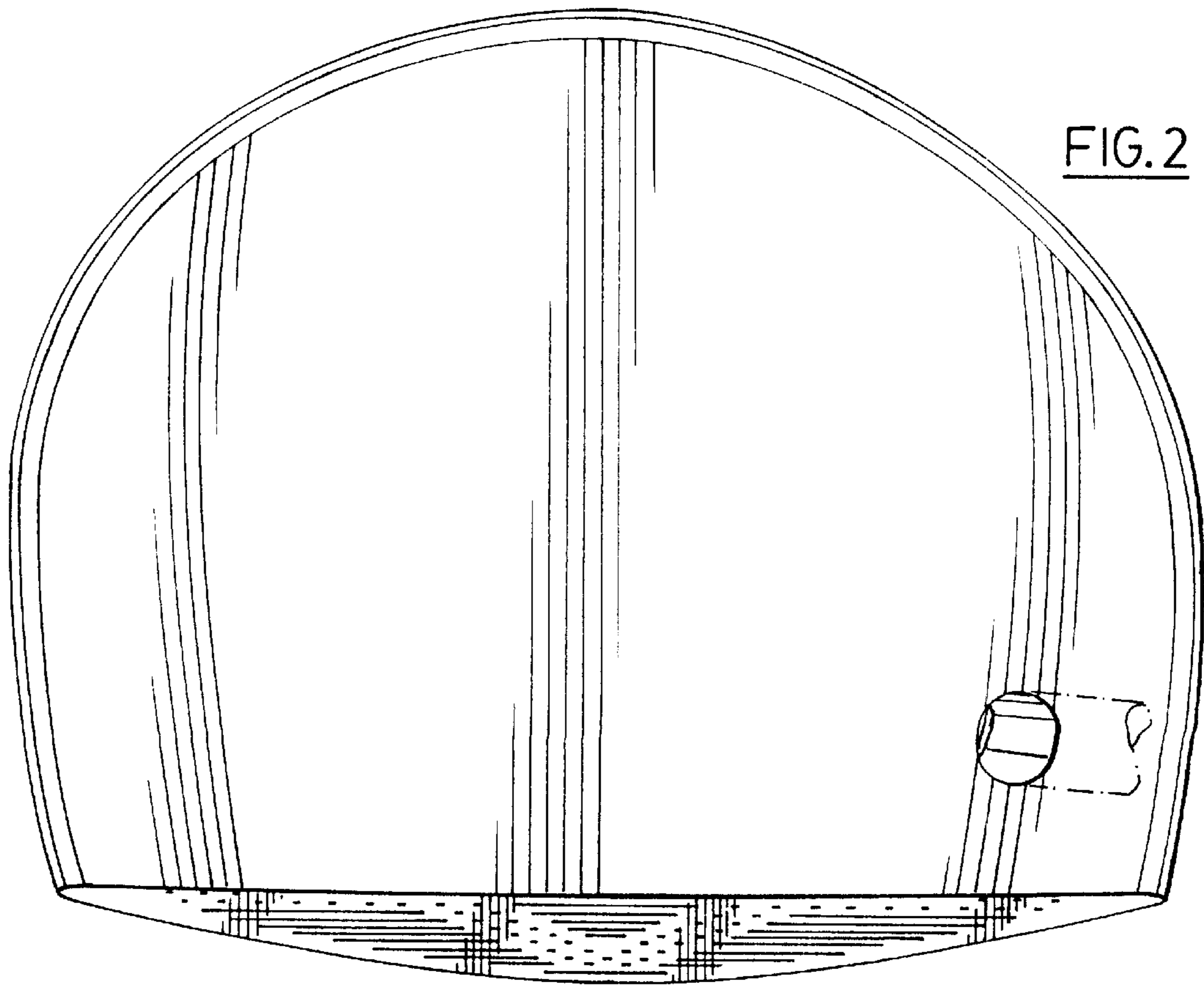


FIG. 2

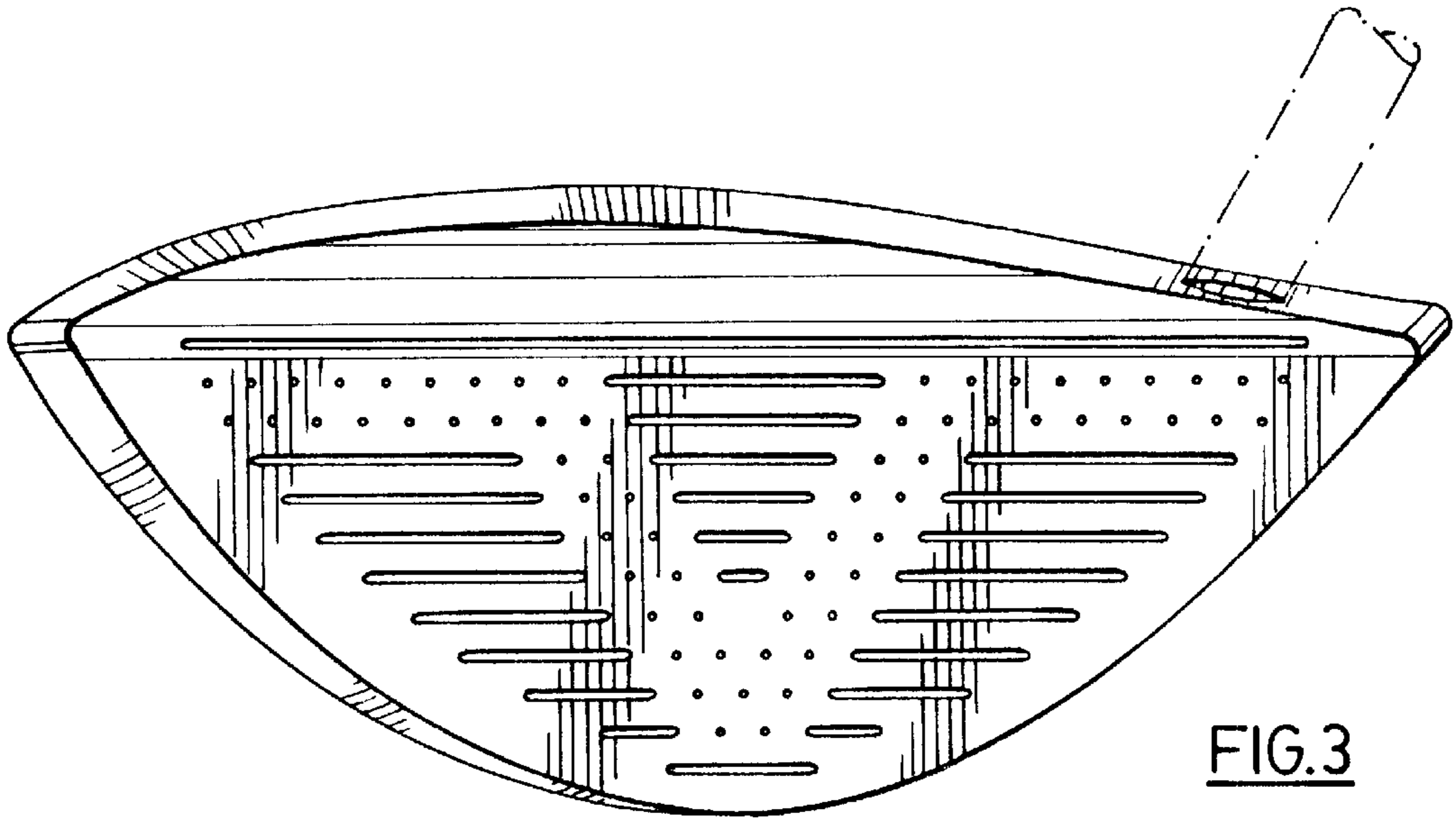


FIG. 3

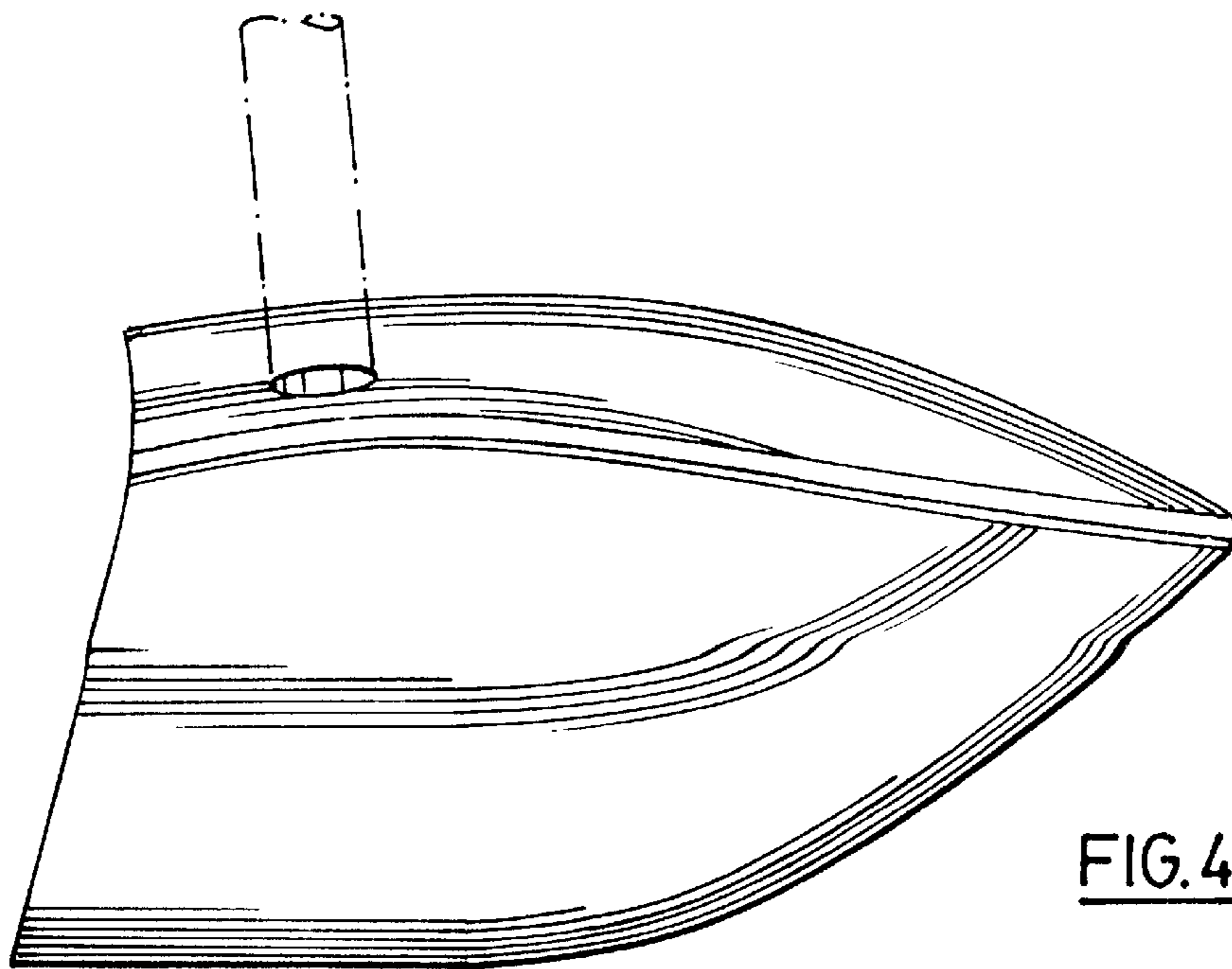
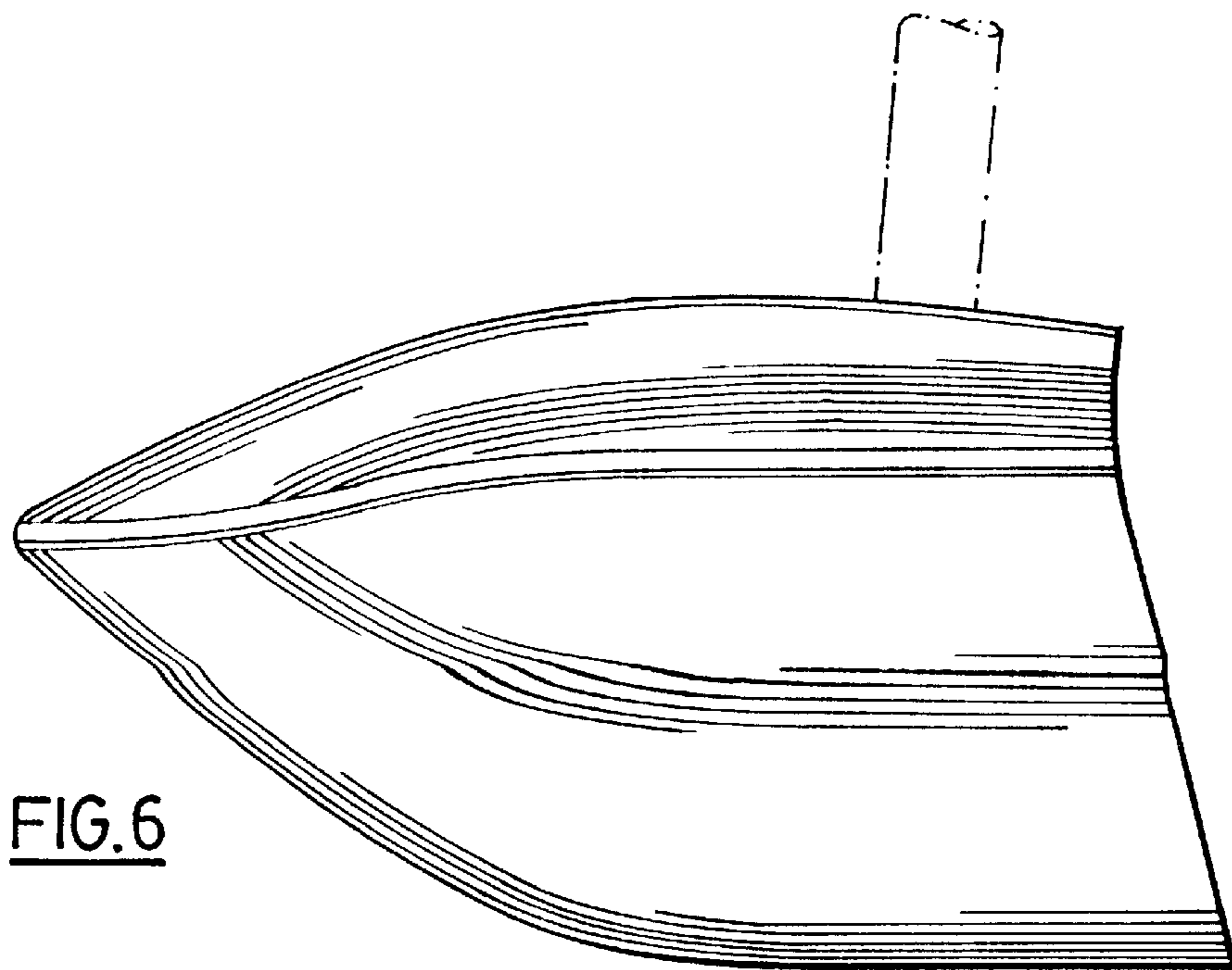
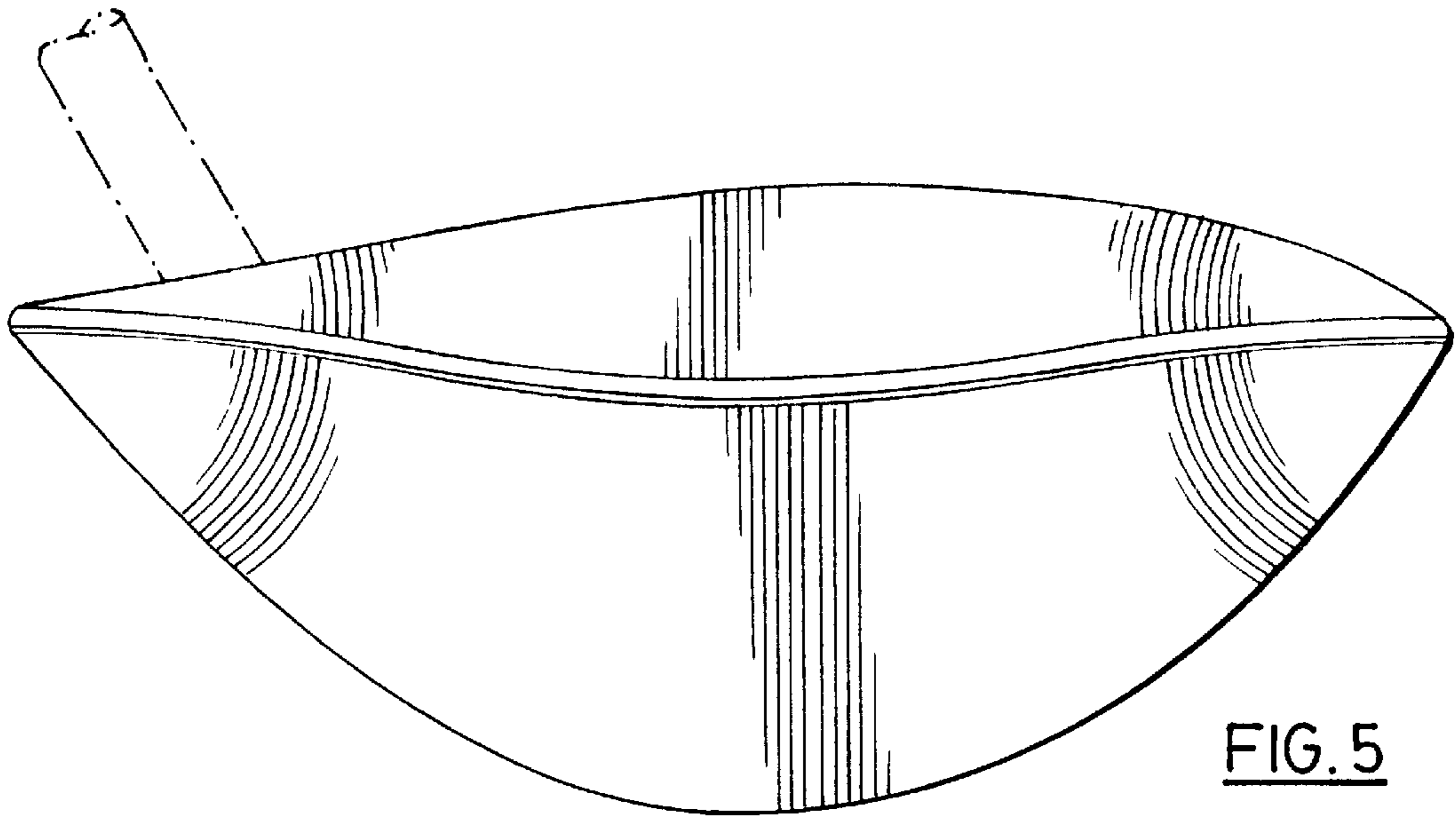


FIG. 4



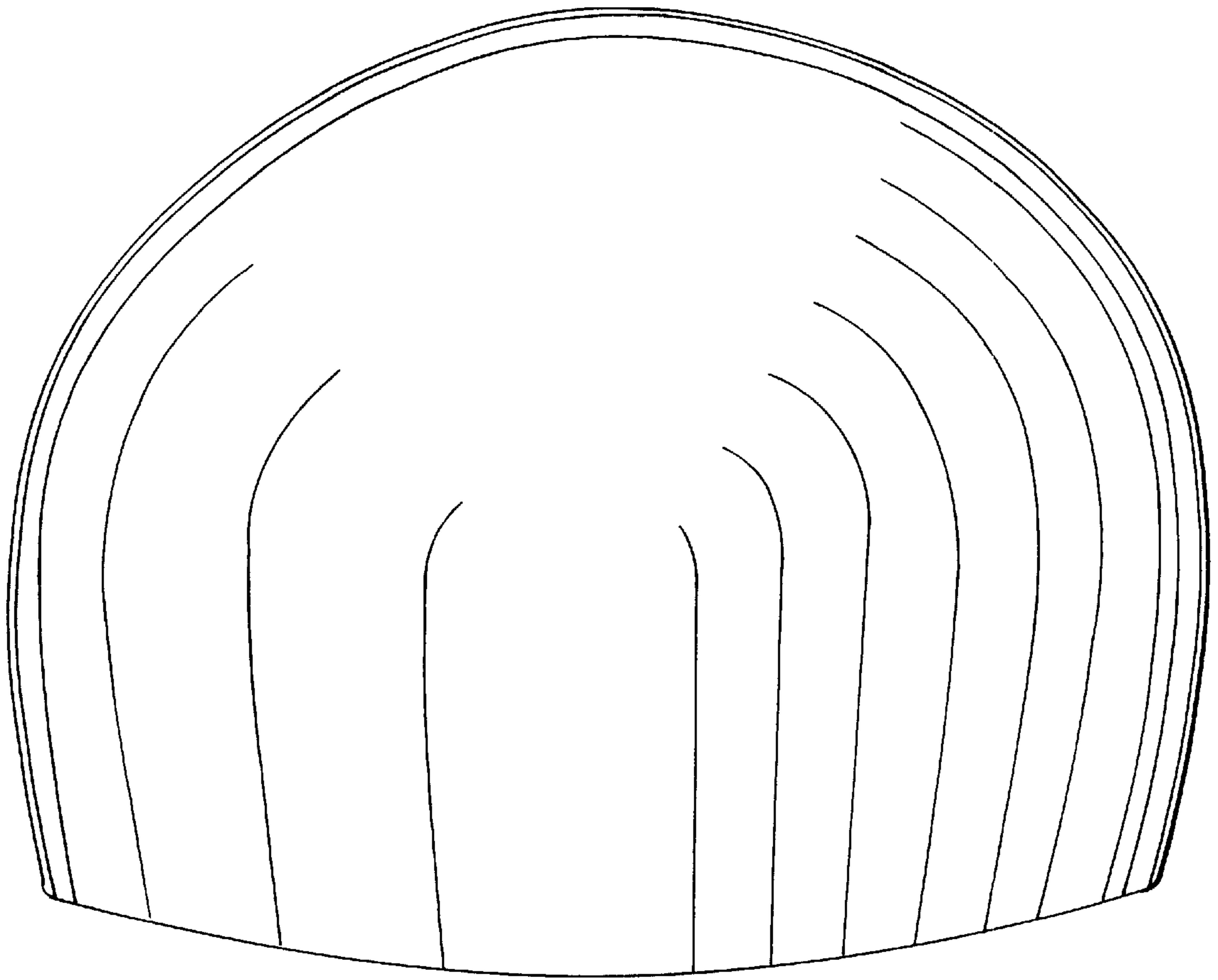


FIG.7