



US00D412952S

United States Patent [19] Saraney

[11] Patent Number: **Des. 412,952**

[45] Date of Patent: **** Aug. 17, 1999**

[54] **ACTION FIGURE**

[76] Inventor: **Val S. Saraney**, 4235 R 69th St.,
Sacramento, Calif. 95820

[**] Term: **14 Years**

[21] Appl. No.: **29/090,925**

[22] Filed: **Jul. 20, 1998**

[51] **LOC (6) Cl.** **21-01**

[52] **U.S. Cl.** **D21/631**

[58] **Field of Search** D11/160; D21/508,
D21/578-579, 585, 594, 621-623, 627,
631-639; D99/25; 368/282; 446/268, 352,
369

[56] **References Cited**

U.S. PATENT DOCUMENTS

D. 61,080	6/1922	Beagary	D21/639
D. 174,916	6/1955	Mitchell	D21/578
D. 239,961	5/1976	Yamashina	D21/1
D. 252,936	9/1979	Tibbitts, Jr.	D21/578
D. 275,694	9/1984	Abbott et al.	D21/171
D. 389,203	1/1998	Glickman et al.	D21/578
505,344	9/1893	Beaumont .	
2,185,091	12/1939	Orlando	46/145
3,427,745	2/1969	Duffy, Jr.	46/118
3,698,125	10/1972	Hartling et al.	46/118

4,569,666	2/1986	Wolf	446/308
4,723,932	2/1988	Kelley et al.	446/320
4,897,826	1/1990	Rigberg et al.	368/282
5,238,441	8/1993	Llorens	446/288
5,380,233	1/1995	Numoto	446/92
5,391,106	2/1995	Libert, Jr.	446/337

OTHER PUBLICATIONS

Betty Henley's The Lighter Side Co.—Holiday 1997 p. 41—left center of page—Gumby figure of Gumby & Pokey Shaker Set D21—Dolls.

Primary Examiner—Ted Shooman
Assistant Examiner—Carol Rademaker
Attorney, Agent, or Firm—John D. Gugliotta

[57] **CLAIM**

The ornamental design for an action figure, as shown and described.

DESCRIPTION

FIG. 1 is a perspective view of an action figure with articulating arms and legs showing my new design; FIG. 2 is a front view thereof; FIG. 3 is a rear view thereof; FIG. 4 is a left side view thereof; FIG. 5 is a right side view thereof; and, FIG. 6 is a top plan view thereof.

1 Claim, 4 Drawing Sheets





Figure 1

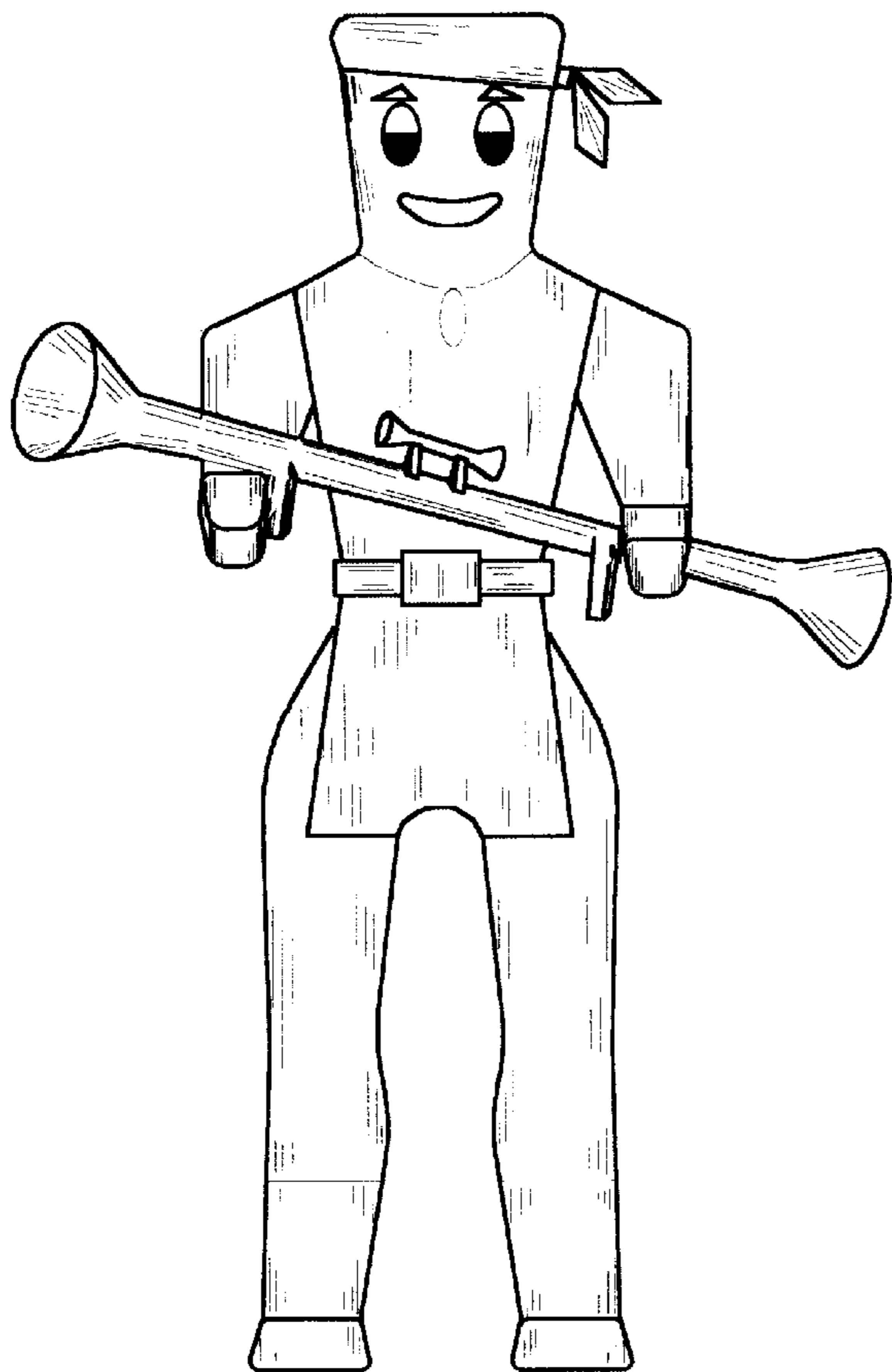


Figure 2

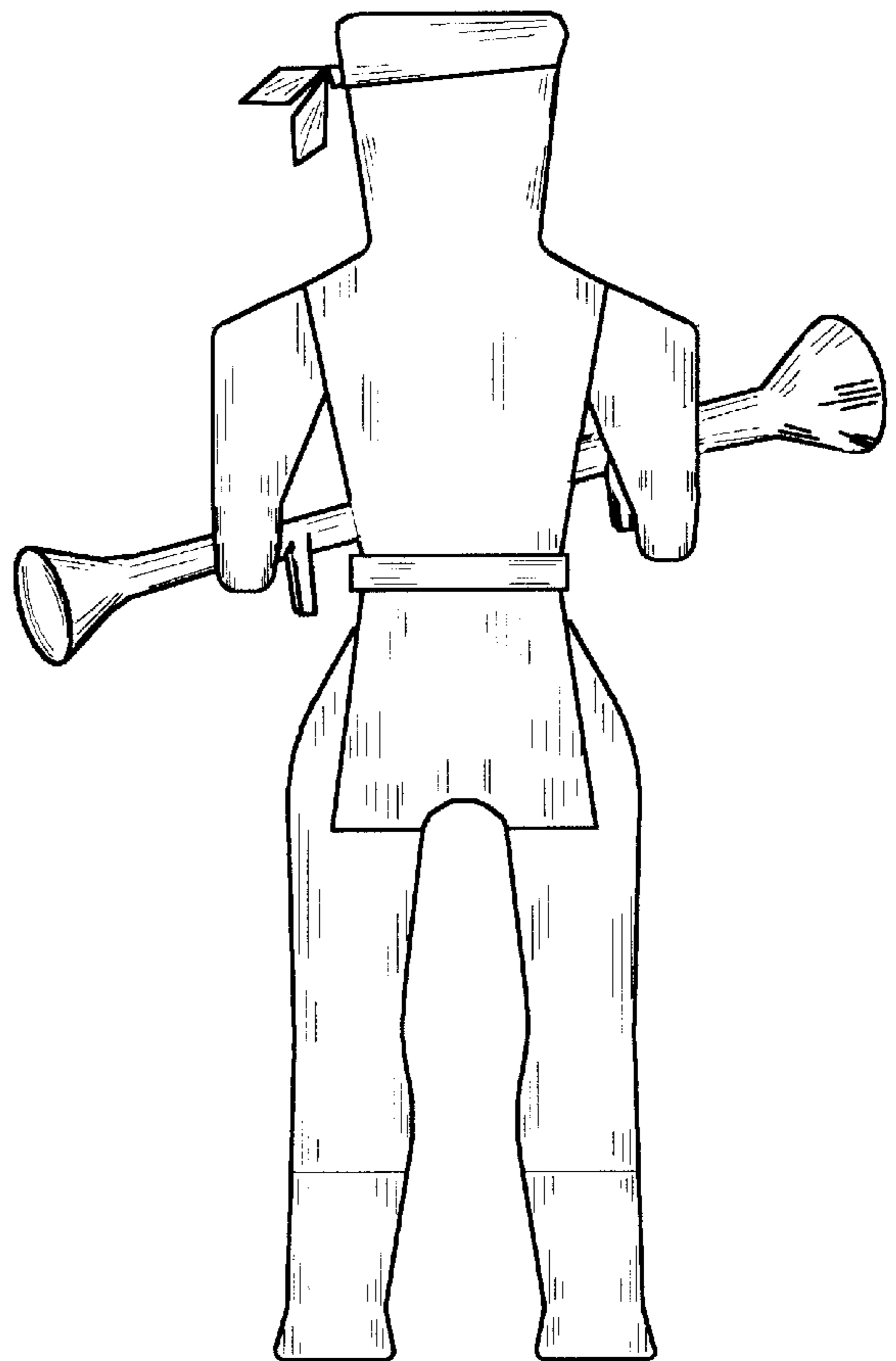


Figure 3

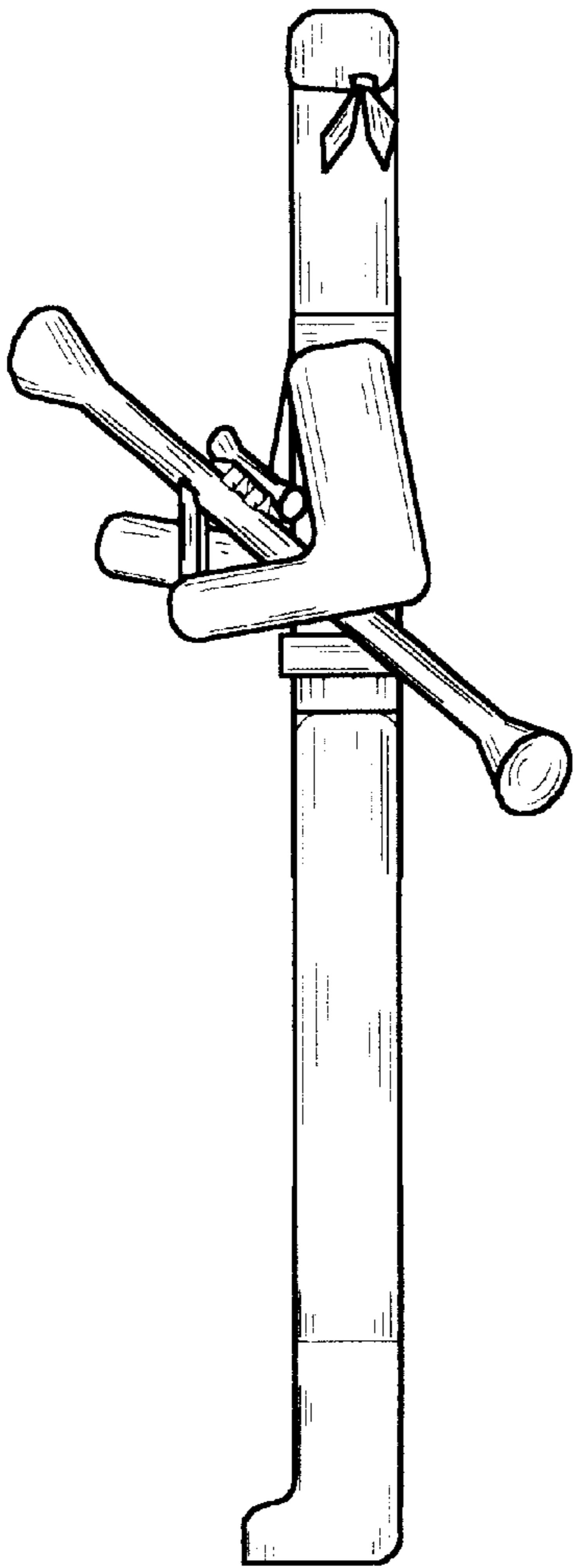


Figure 4

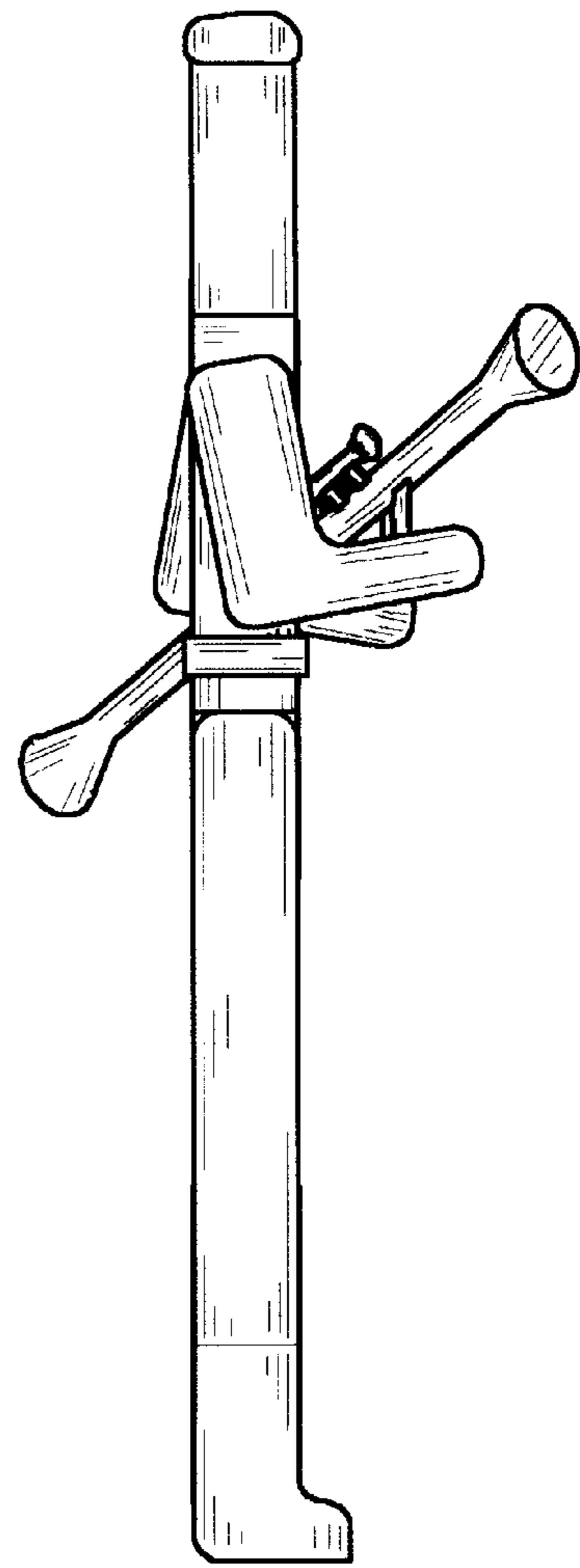


Figure 5

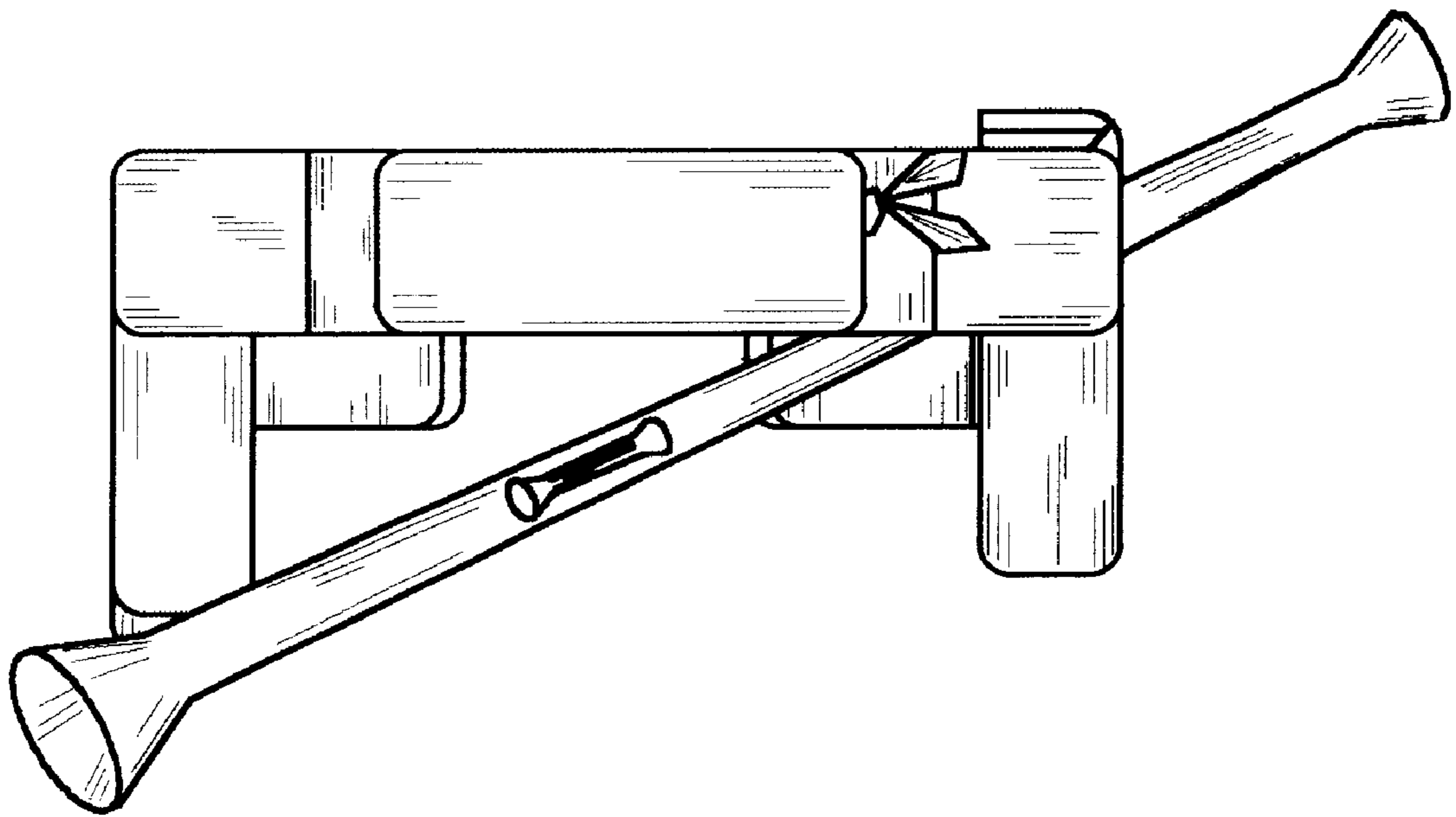


Figure 6