



US00D412949S

United States Patent [19] Nielsen

[11] Patent Number: Des. 412,949

[45] Date of Patent: ** Aug. 17, 1999

[54] RAIL ELEMENT FOR A TOY TRAIN

[75] Inventor: Per Steen Nielsen, Hvidovre, Denmark

[73] Assignee: INTERLEGO AG, Baar, Switzerland

[**] Term: 14 Years

[21] Appl. No.: 29/095,027

[22] Filed: Oct. 14, 1998

[51] LOC (6) Cl. 21-01

[52] U.S. Cl. D21/564; D21/493

[58] Field of Search 21/484-505, 564;
238/10 E; 446/85, 88, 96, 102, 104, 120-125,
128, 444, 445, 476, 467

[56] **References Cited**

U.S. PATENT DOCUMENTS

D. 195,679	7/1963	Genin	D21/565
D. 344,310	2/1994	Ruszkai	D21/565
D. 344,992	3/1994	Ruszkai	D21/565
D. 374,258	10/1996	Schmidt et al.	D21/486
1,422,146	7/1922	Tackenberg	446/128
3,562,950	2/1971	Genin	446/444

3,597,876	8/1971	Haji	446/444
5,078,354	1/1992	Kim	446/123
5,564,962	10/1996	Espinosa	446/128
5,830,032	11/1998	Campbell	446/128

Primary Examiner—Raphael Barkai
Attorney, Agent, or Firm—Kane,Dalsimer,Sullivan, Kurucz,
Levy, Eisele and Richard, LLP

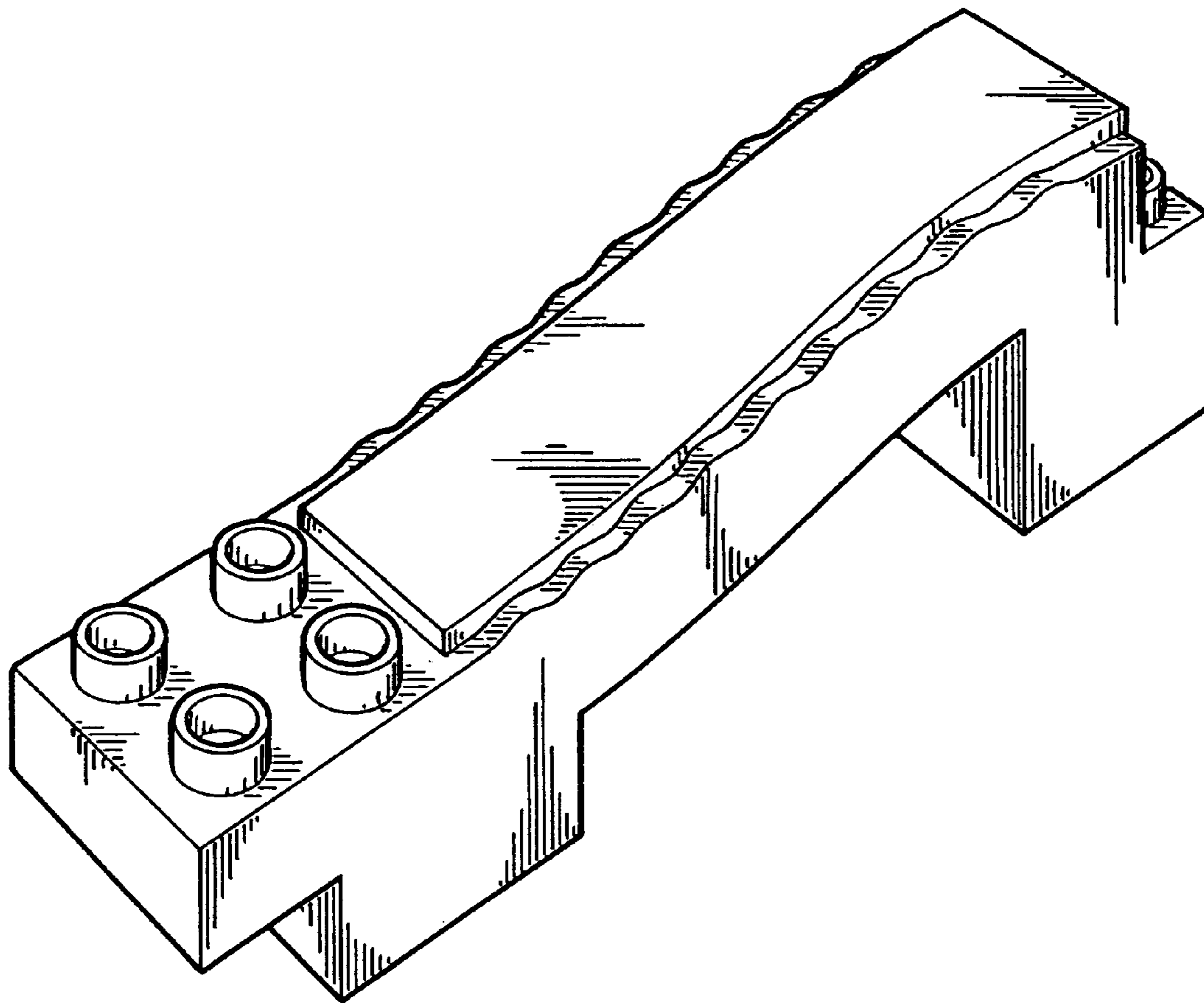
[57] **CLAIM**

The ornamental design for a rail element for a toy train, as shown and described.

DESCRIPTION

FIG. 1 is a top perspective view of the rail element for a toy train,
FIG. 2 is a top plan view thereof,
FIG. 3 is a front elevational view thereof,
FIG. 4 is a bottom plan view thereof,
FIG. 5 is a right side elevational view thereof,
FIG. 6 is a left side elevational view thereof,
FIG. 7 is rear elevational view thereof; and,
FIG. 8 is a bottom perspective view thereof.

1 Claim, 3 Drawing Sheets



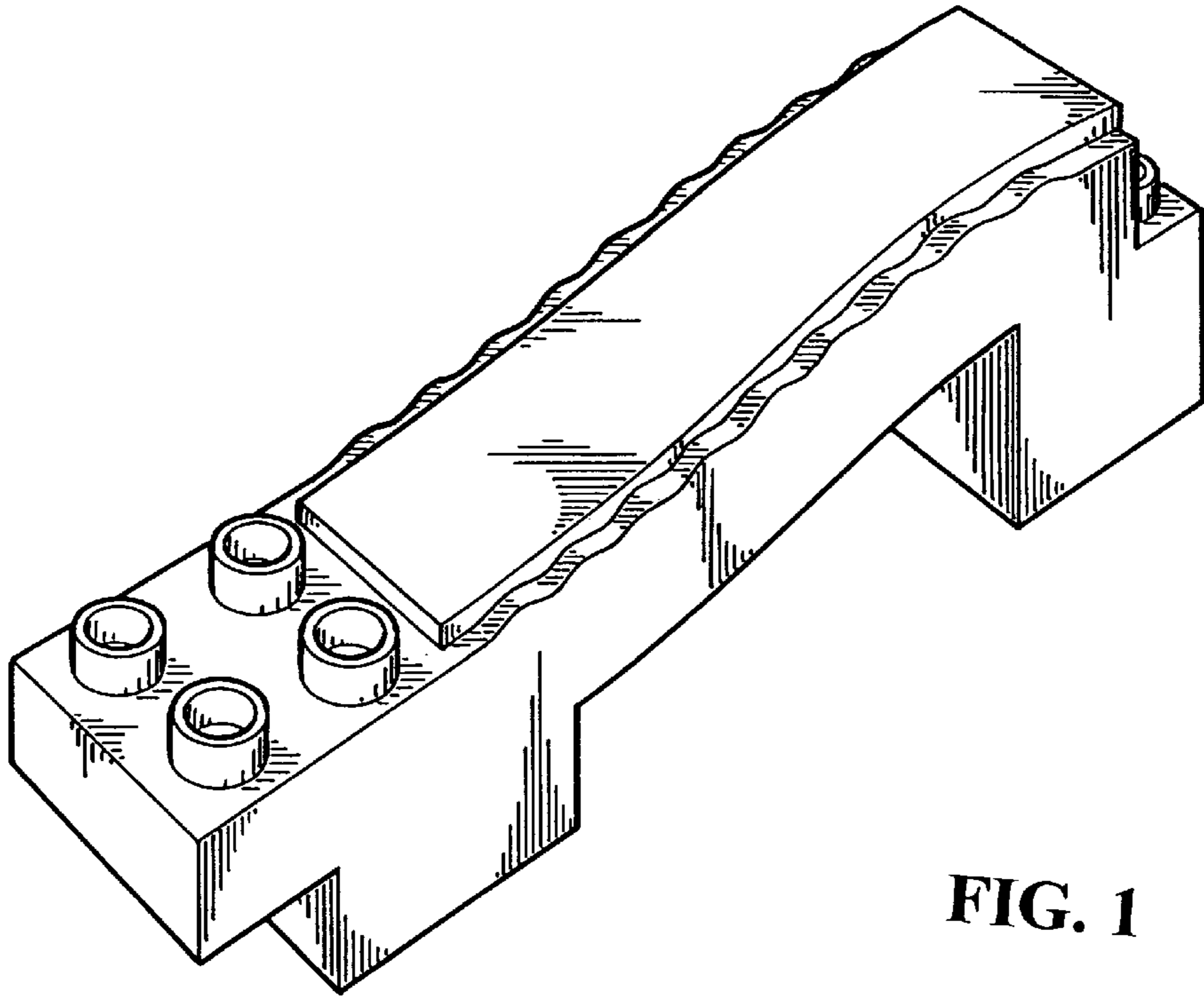


FIG. 1

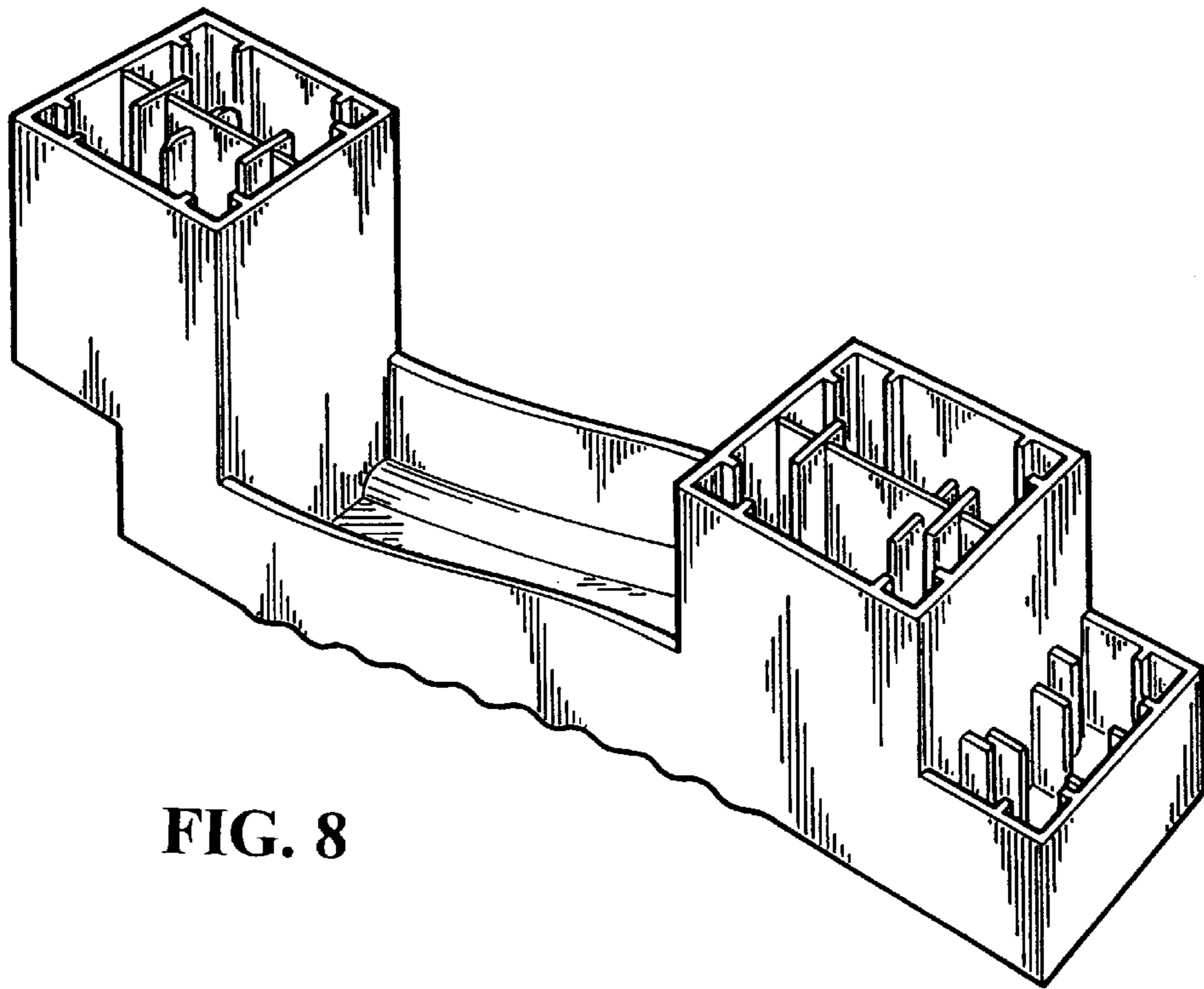


FIG. 8

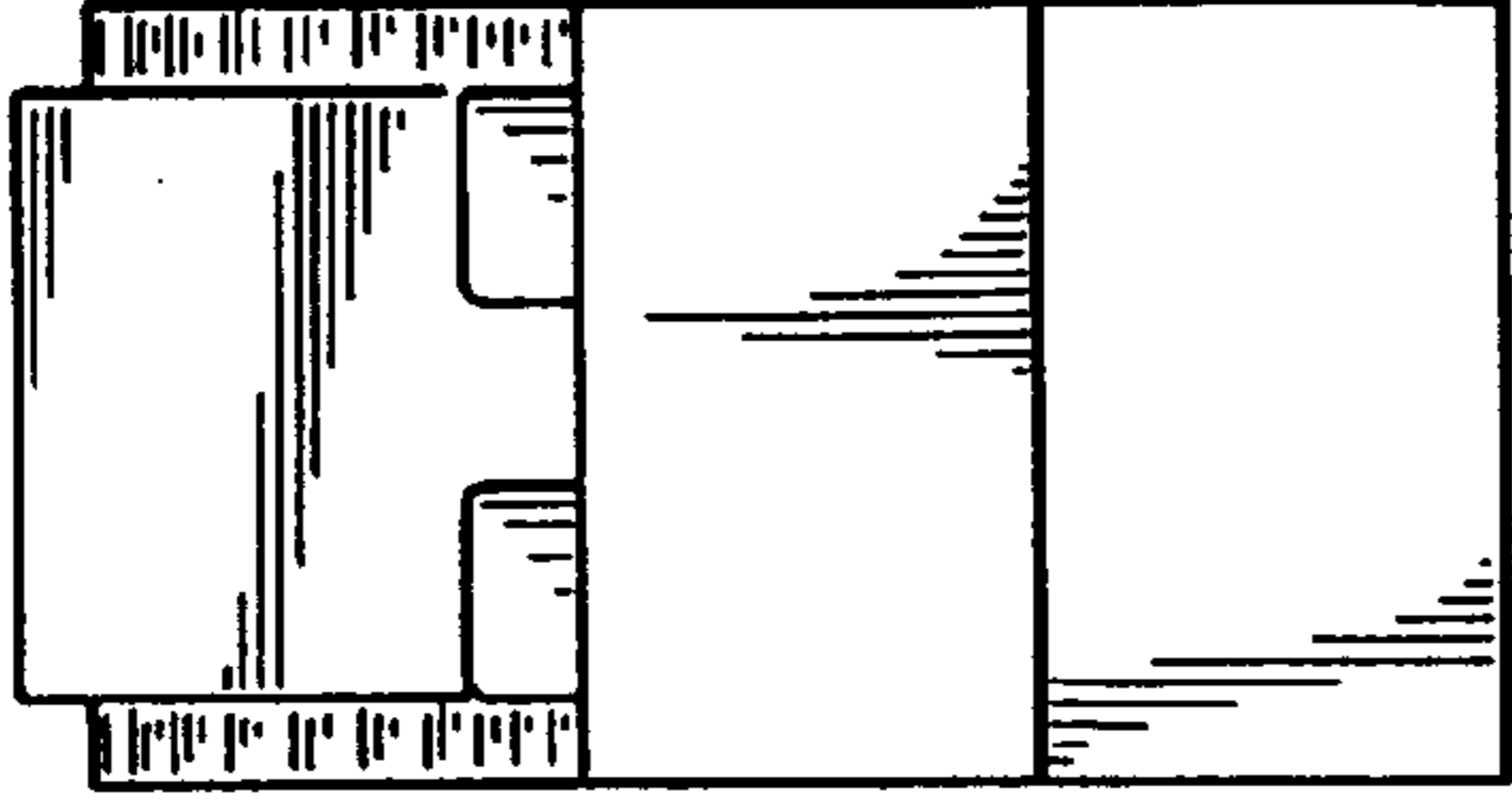


FIG. 3

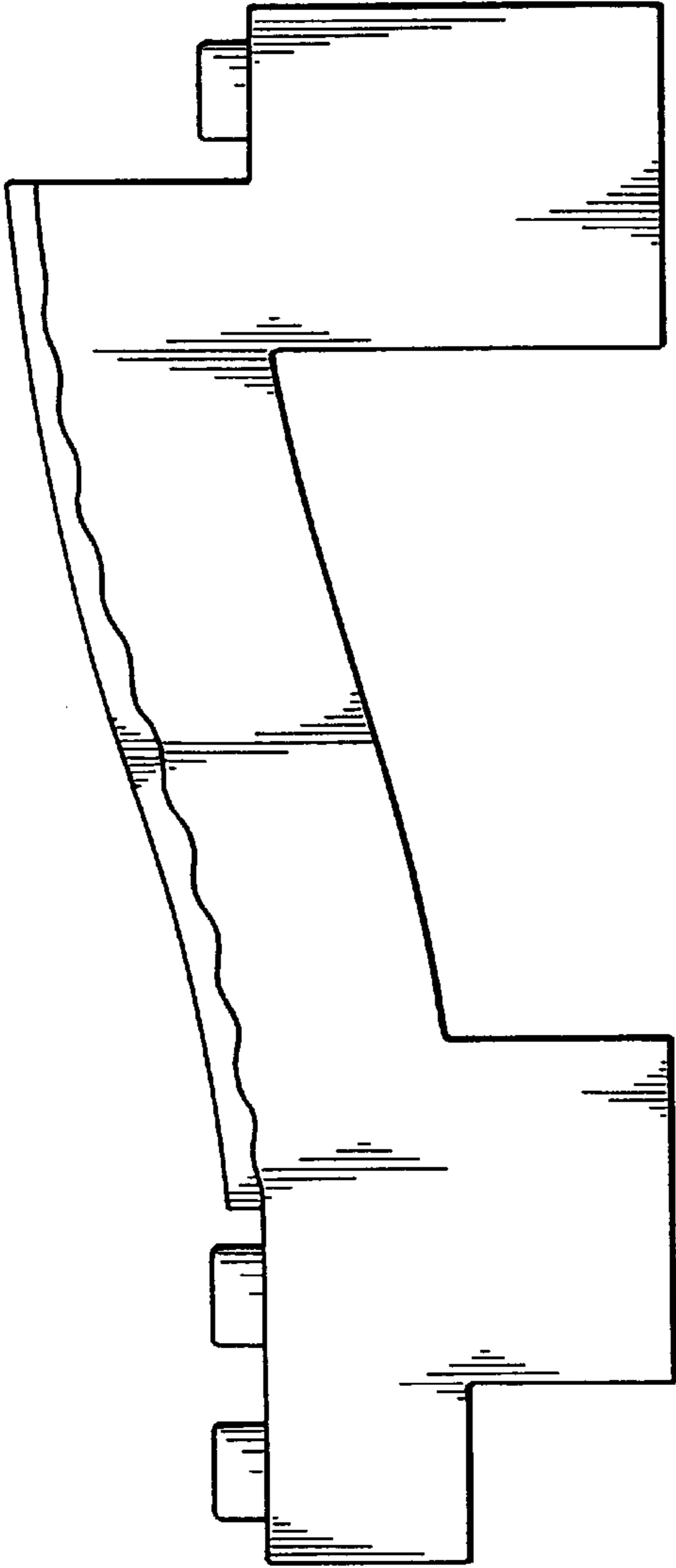


FIG. 6

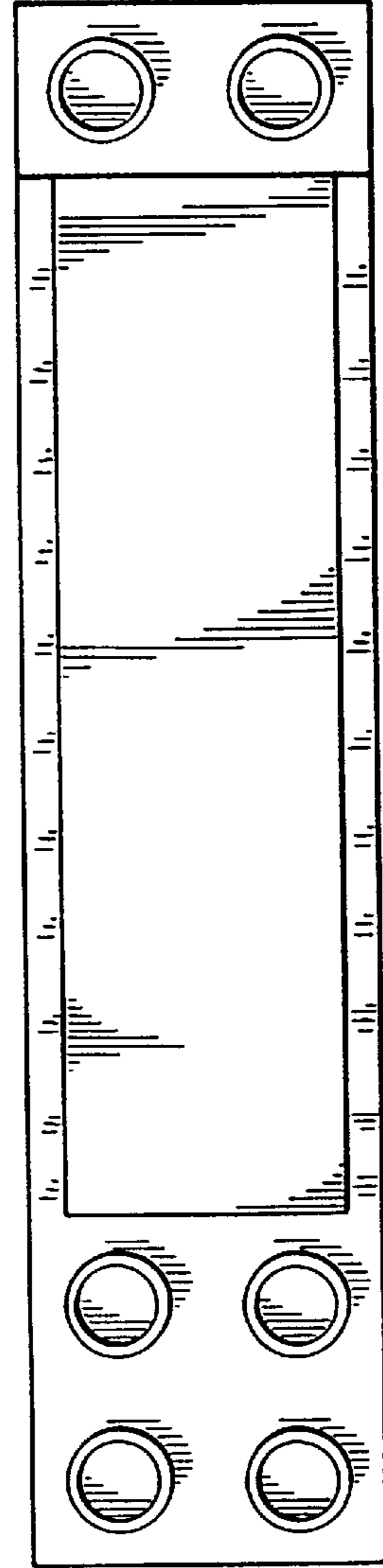


FIG. 2

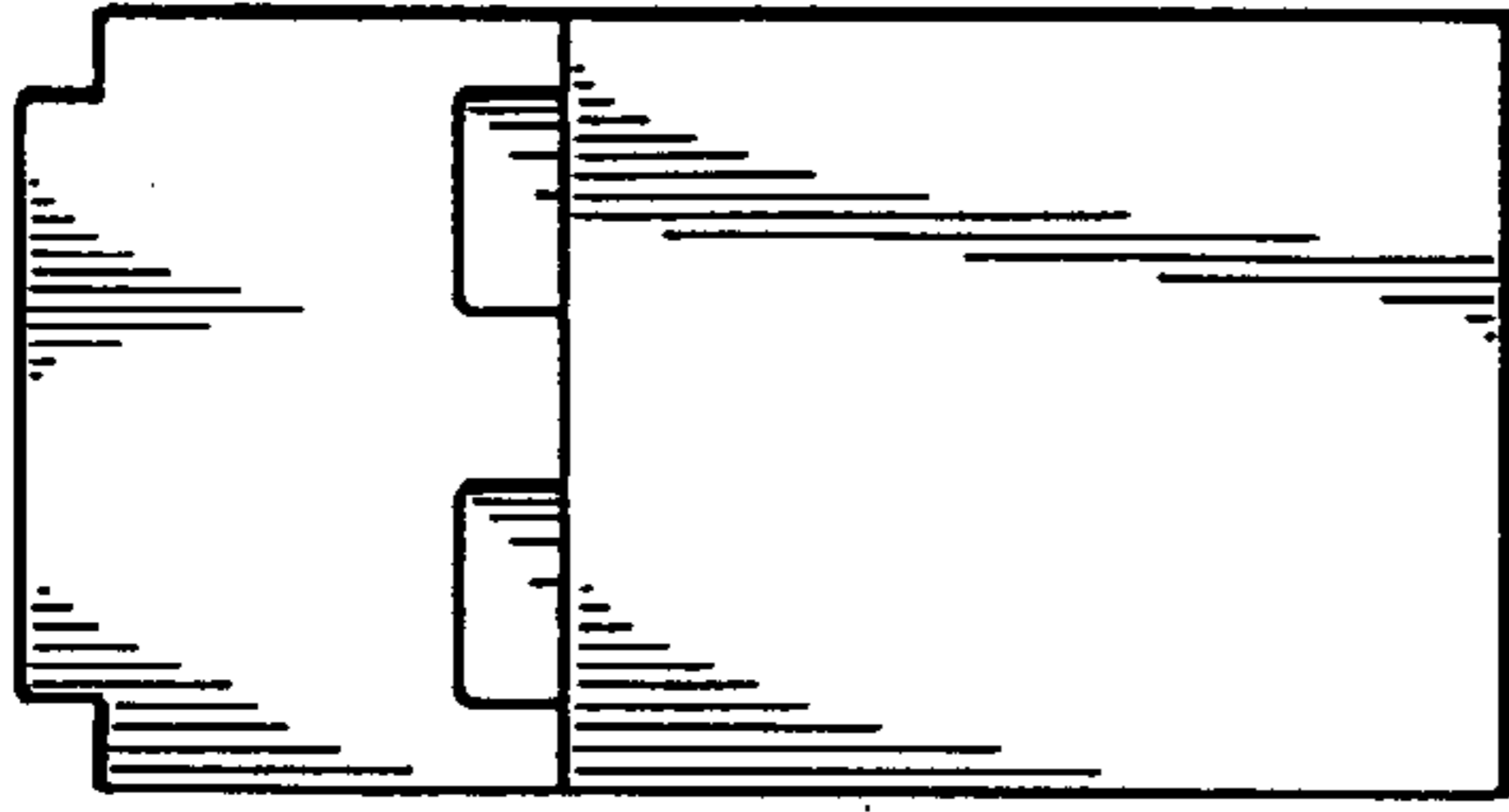


FIG. 7

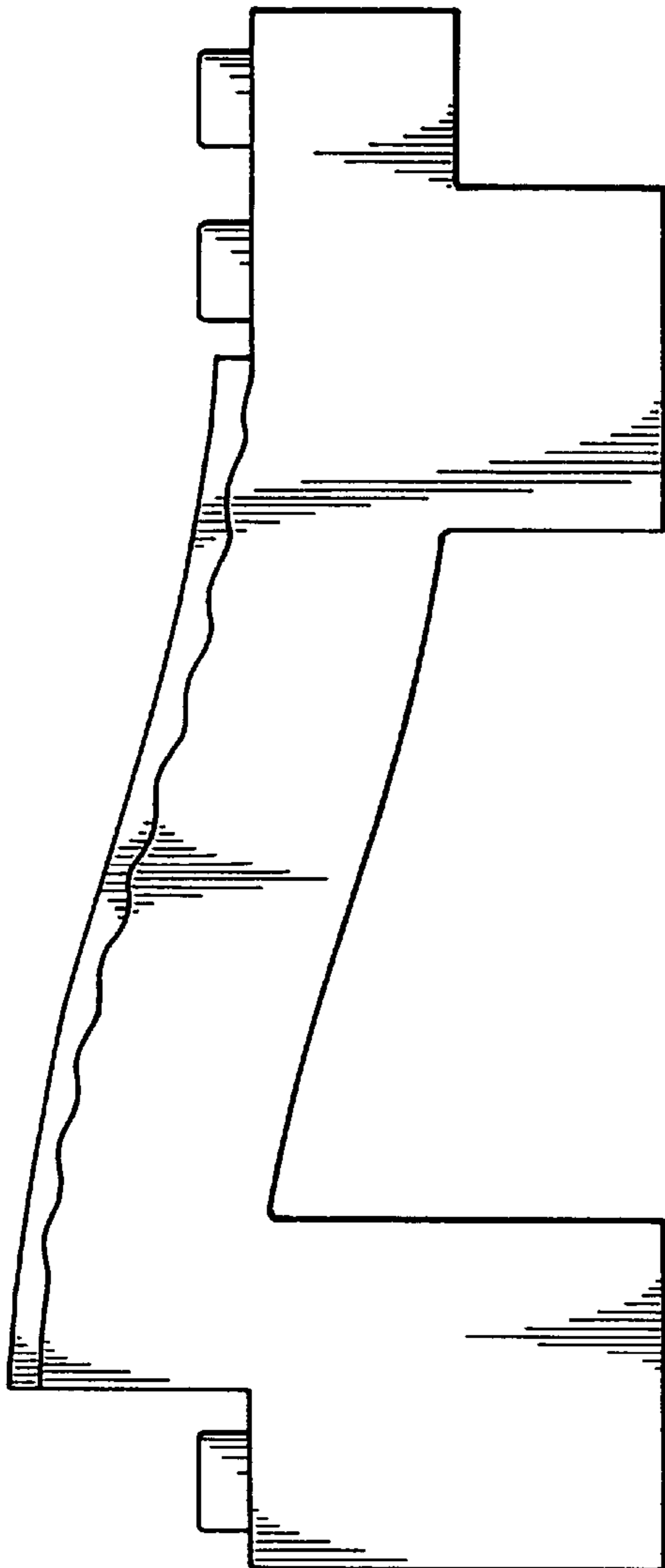


FIG. 5

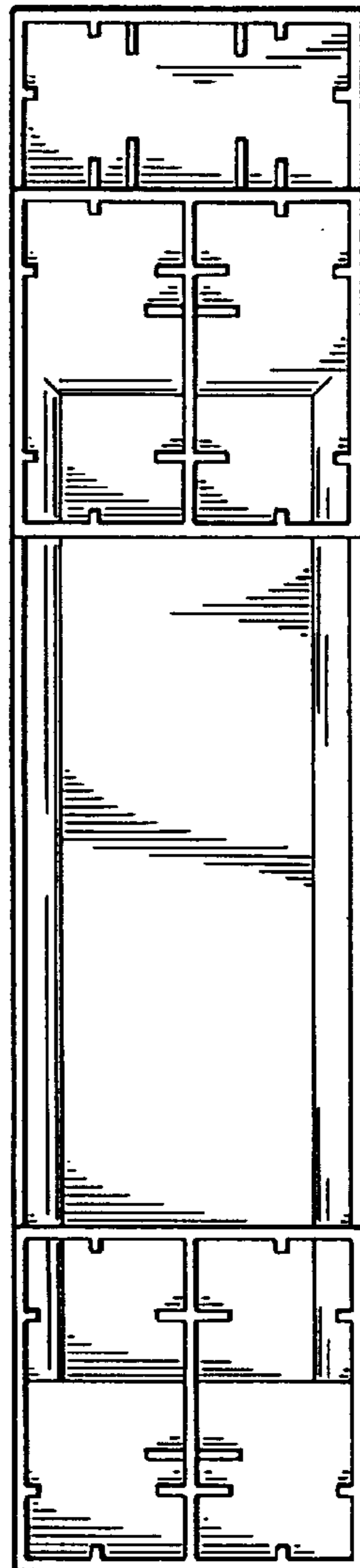


FIG. 4