



US00D412948S

United States Patent [19]
Rosen

[11] **Patent Number: Des. 412,948**

[45] **Date of Patent: ** Aug. 17, 1999**

[54] **METAL MOLDING TOY**

[75] **Inventor: Lawrence I. Rosen, Mendham, N.J.**

[73] **Assignee: Rose Art Industries, Inc., Livingston, N.J.**

[**] **Term: 14 Years**

[21] **Appl. No.: 29/078,381**

[22] **Filed: Nov. 5, 1997**

[51] **LOC (6) Cl. 21-01**

[52] **U.S. Cl. D21/528**

[58] **Field of Search D21/398, 528;
D15/135; 425/DIG. 57, 383, 388, 404,
406**

[56] **References Cited**

U.S. PATENT DOCUMENTS

D. 213,915	4/1969	Cofer et al.	D15/135
D. 218,184	7/1970	Bringas et al.	D21/528
D. 234,874	4/1975	Aoki	D15/135

D. 268,043	2/1983	Orenstein	D21/528
D. 403,378	12/1998	Lebensfeld et al.	D21/528
2,967,328	1/1961	Shelby et al.	D15/135 X
3,179,980	4/1965	Ryan et al.	425/DIG. 57
3,309,738	3/1967	Friedman	425/DIG. 57
4,425,091	1/1984	Prince	D15/135 X

Primary Examiner—Dominic Simone
Attorney, Agent, or Firm—Allen N. Friedman; McCarter & English LLP

[57] **CLAIM**

I claim the ornamental design for a metal molding toy, as shown and described.

DESCRIPTION

FIG. 1 is a right front perspective view of the metal molding toy;
FIG. 2 is a front elevational view thereof;
FIG. 3 is a right side elevational view thereof;
FIG. 4 is a rear elevational view thereof;
FIG. 5 is a top plan view thereof; and,
FIG. 6 is a bottom plan view thereof.

1 Claim, 3 Drawing Sheets

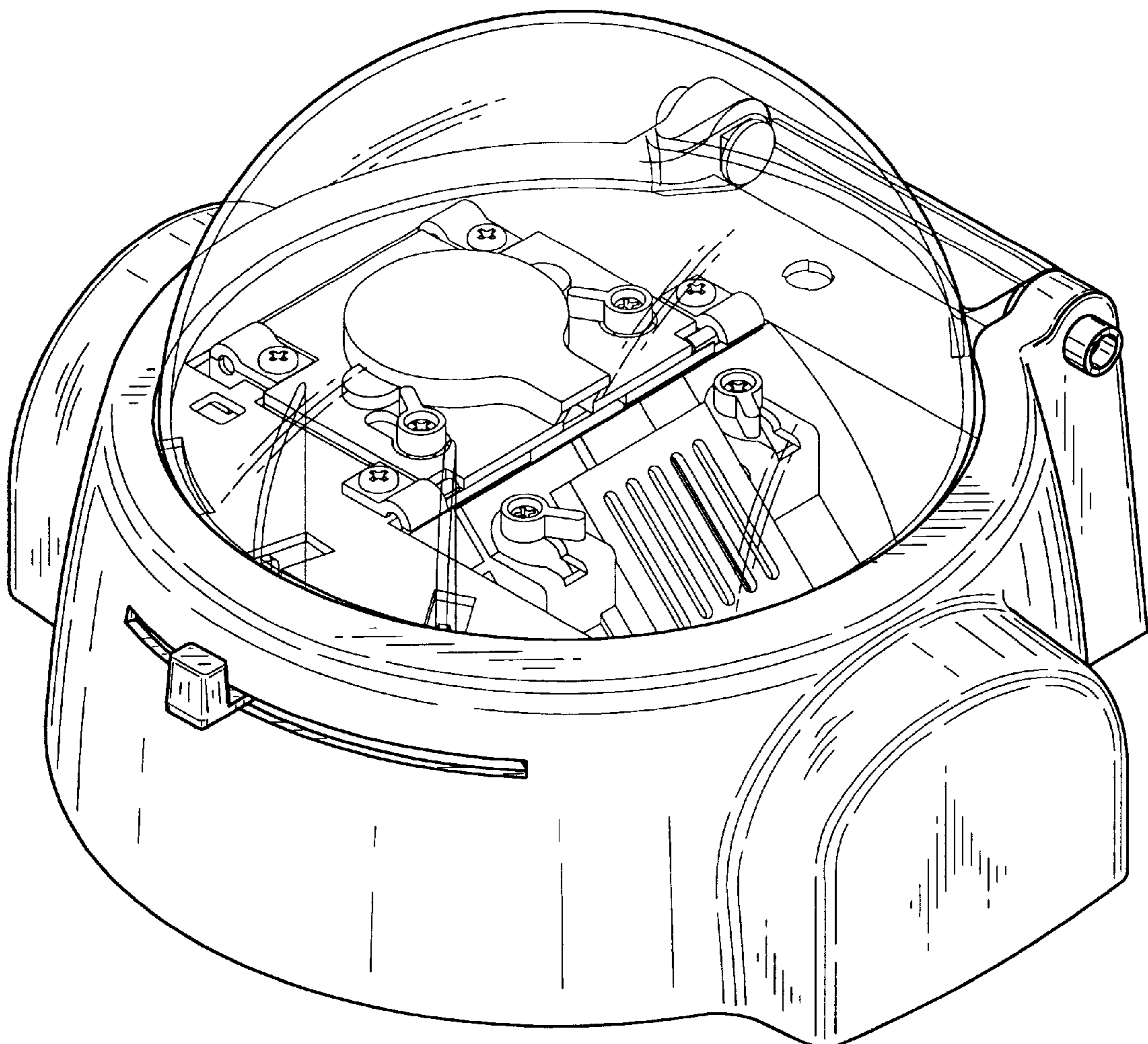


FIG. 1

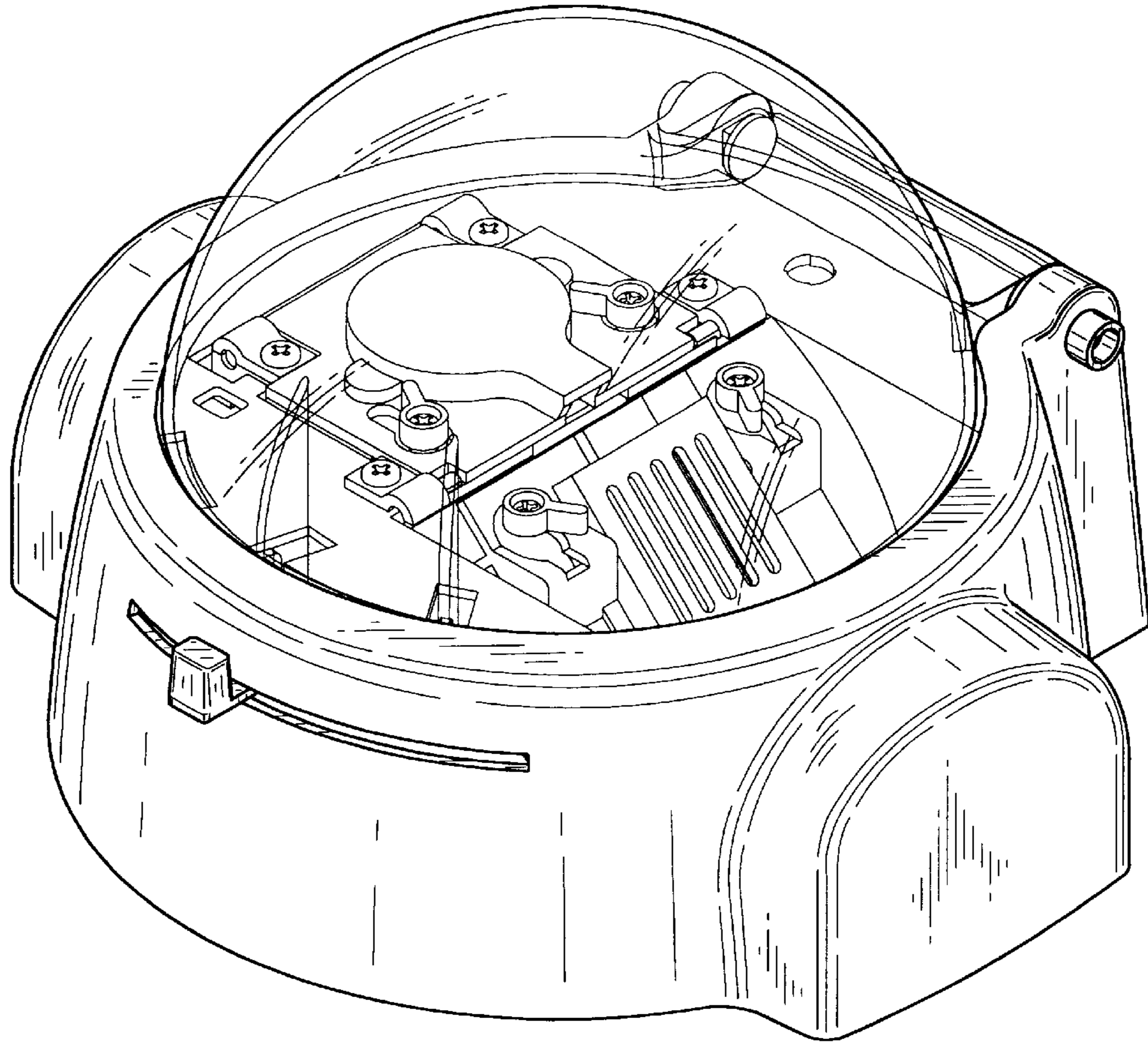


FIG. 2

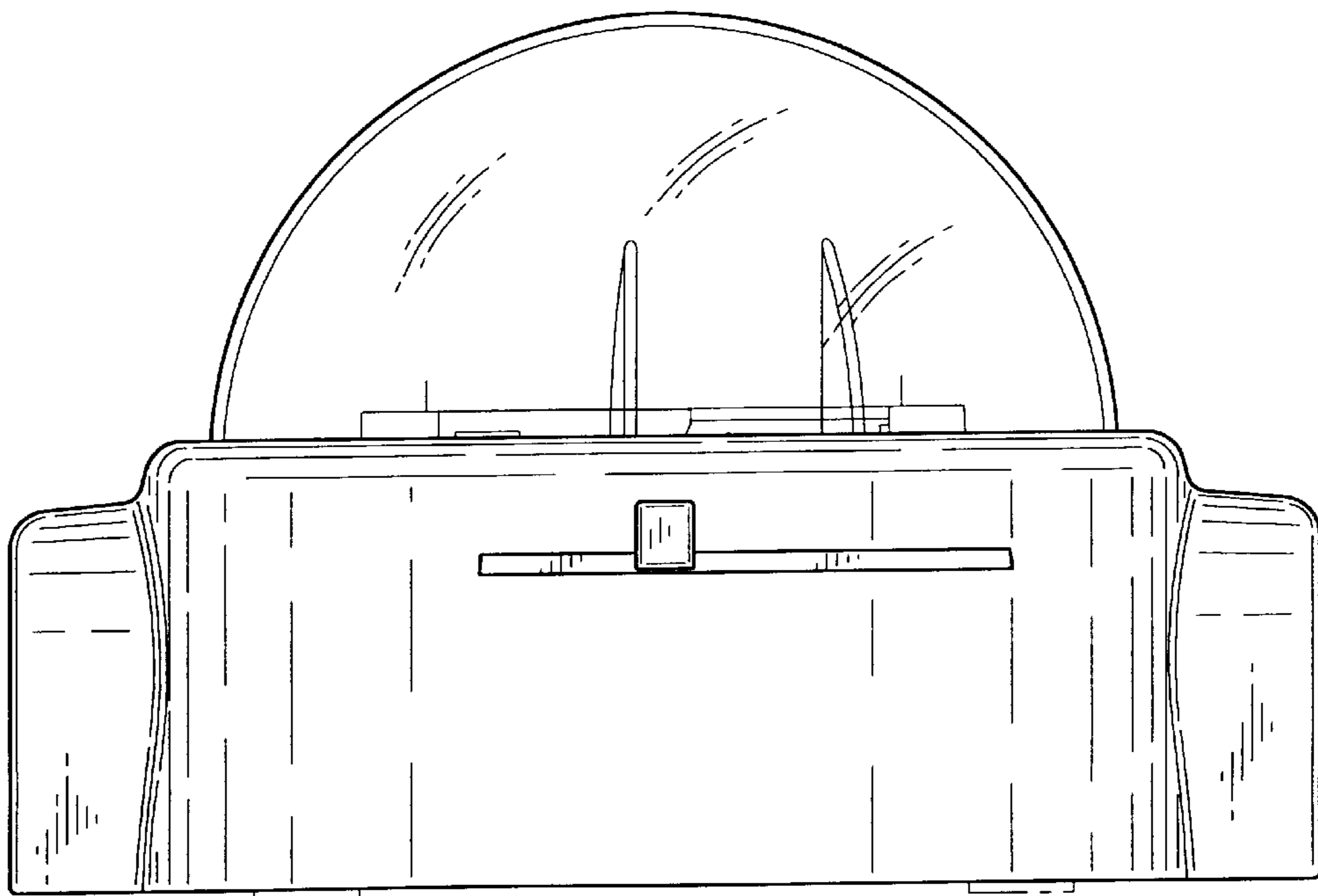


FIG. 3

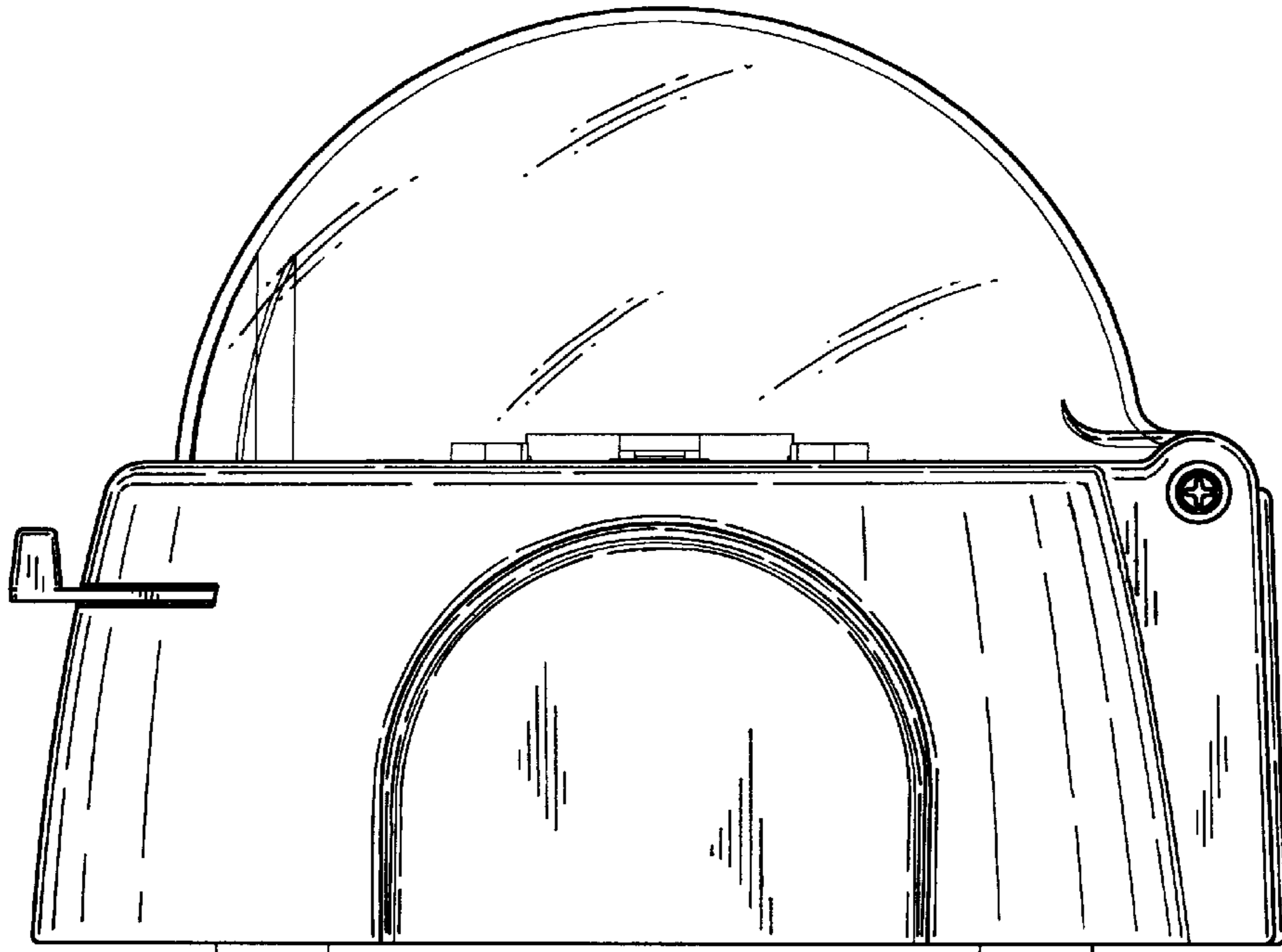


FIG. 4

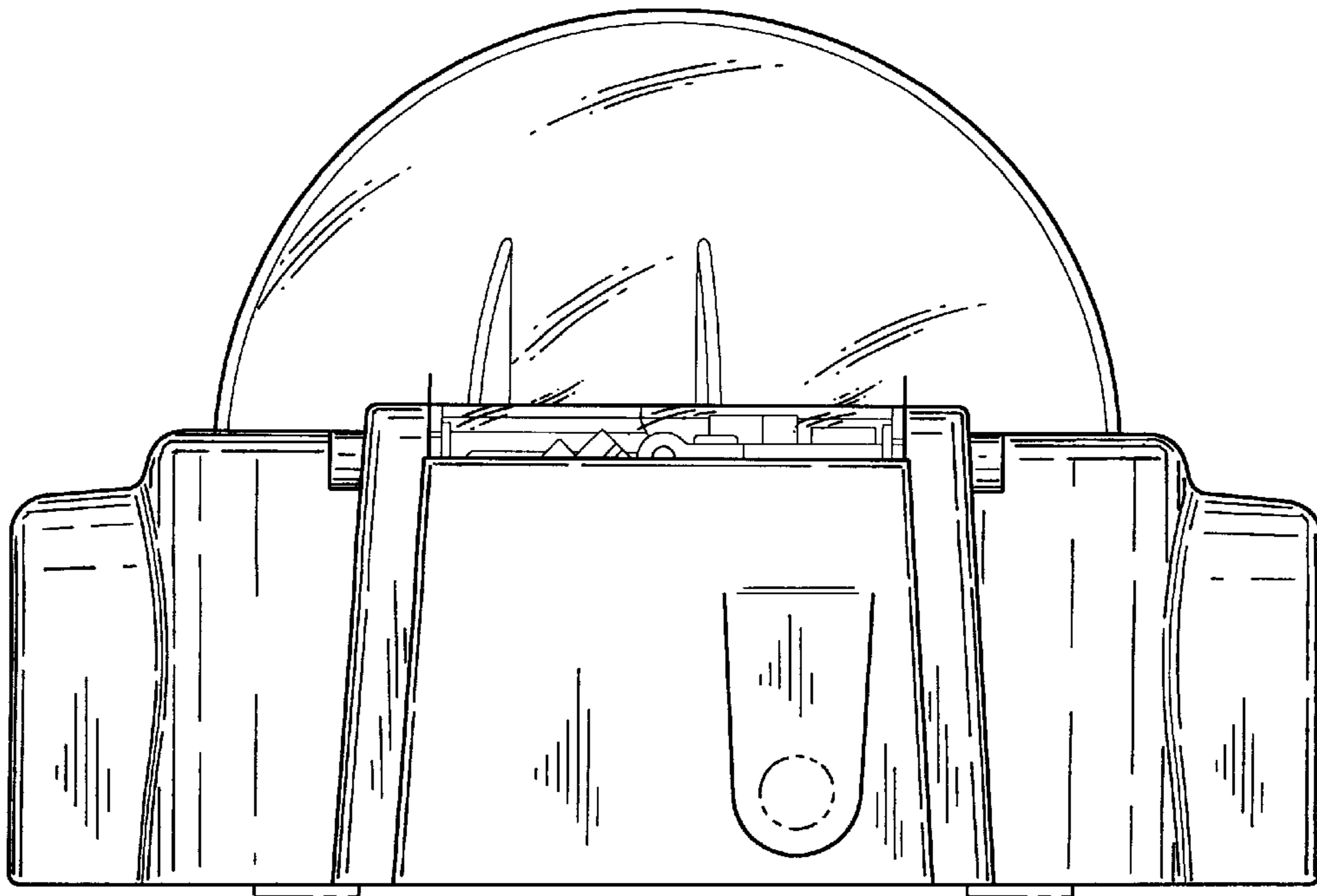


FIG. 5

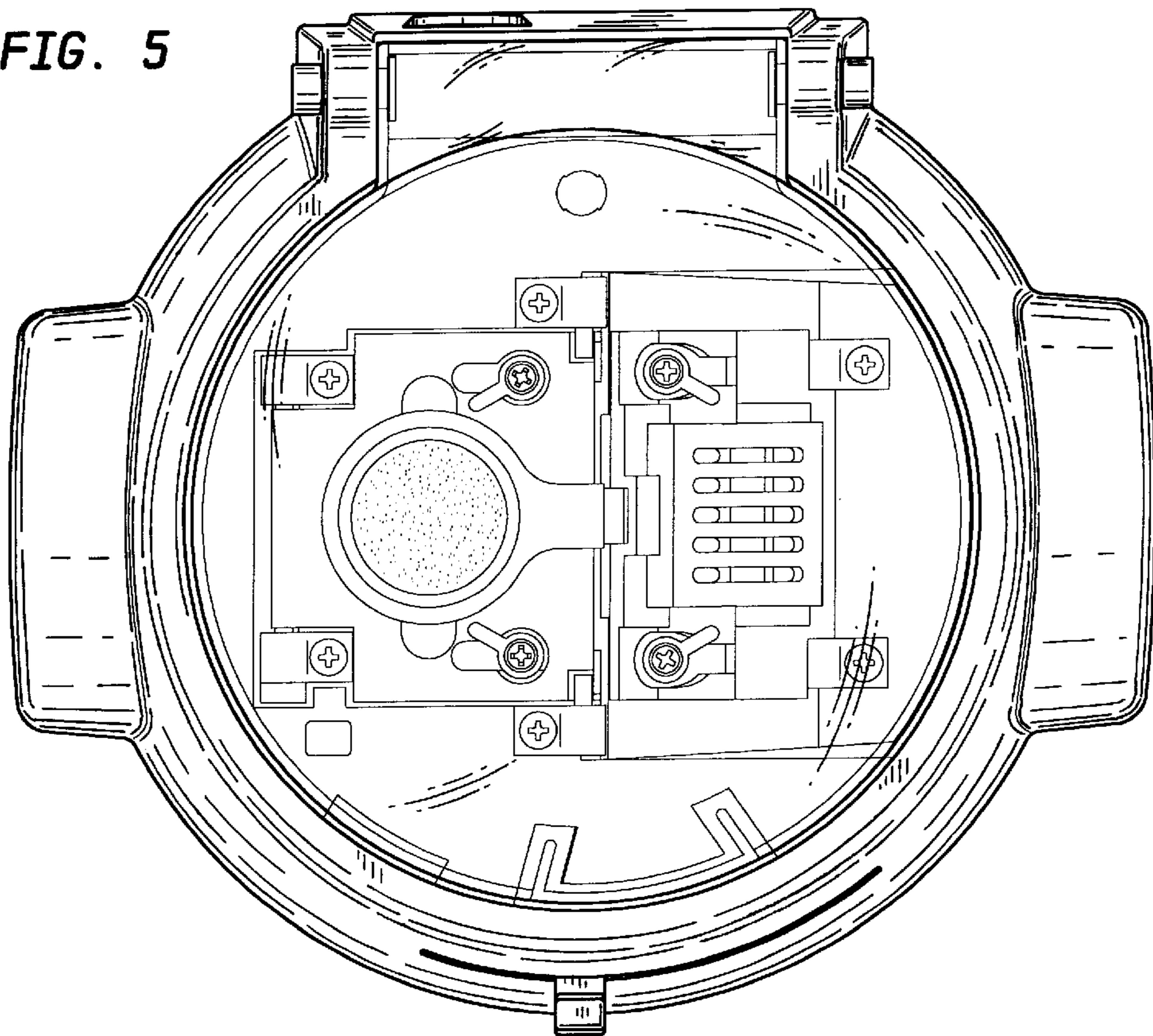


FIG. 6

