



US00D412945S

United States Patent [19]

[11] Patent Number: **Des. 412,945**

Jørgensen et al.

[45] Date of Patent: **** Aug. 17, 1999**

[54] **TOY BUILDING ELEMENT**

2,407,927	9/1946	Hayden	446/125
4,419,840	12/1983	Pope	446/110
5,876,261	3/1999	Bach et al.	446/108

[75] Inventors: **Christian Jørgensen**, Fredericia; **Anne K. Jensen**, Vejle, both of Denmark

OTHER PUBLICATIONS

[73] Assignee: **INTERLEGO AG**, Baar, Switzerland

Lego Catalog, Jan. 1997.

[**] Term: **14 Years**

Primary Examiner—Raphael Barkai
Attorney, Agent, or Firm—Kane, Dalsimer, Sullivan, Kurucz, Levy, Eisele and Richard, LLP

[21] Appl. No.: **29/095,010**

[22] Filed: **Oct. 14, 1998**

[57] CLAIM

[51] **LOC (6) Cl.** **21-01**

The ornamental design for a toy building element, as shown and described.

[52] **U.S. Cl.** **D21/494; D21/492**

[58] **Field of Search** D21/484-505,
D21/506-511; D25/35, 52; 446/85, 88,
102, 104, 93, 108-111, 120, 121, 124-125,
128, 476, 479

DESCRIPTION

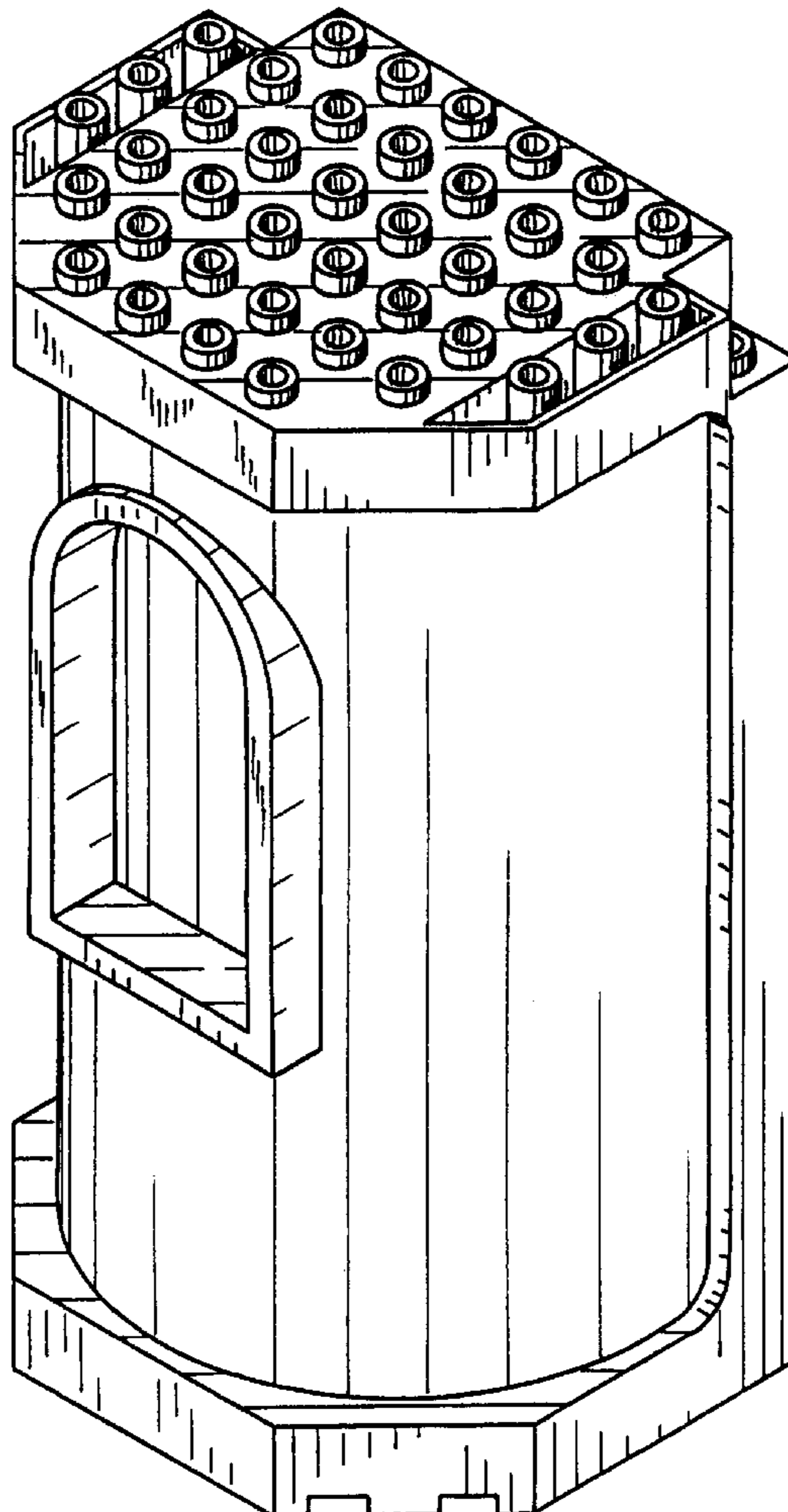
[56] References Cited

U.S. PATENT DOCUMENTS

D. 44,877	11/1913	Schwarz .	
D. 335,158	4/1993	Rahbek D21/492
D. 364,656	11/1995	Ruszkai D21/492
D. 370,945	6/1996	Bertrand D21/494
D. 384,991	10/1997	Riis D21/501

FIG. 1 is a top perspective view of the toy building element, FIG. 2 is a top plan view thereof, FIG. 3 is a front elevational view thereof, FIG. 4 is a bottom plan view thereof, FIG. 5 is a right side elevational view thereof, FIG. 6 is a left side elevational view thereof, FIG. 7 is rear elevational view thereof; and, FIG. 8 is a bottom perspective view thereof.

1 Claim, 3 Drawing Sheets



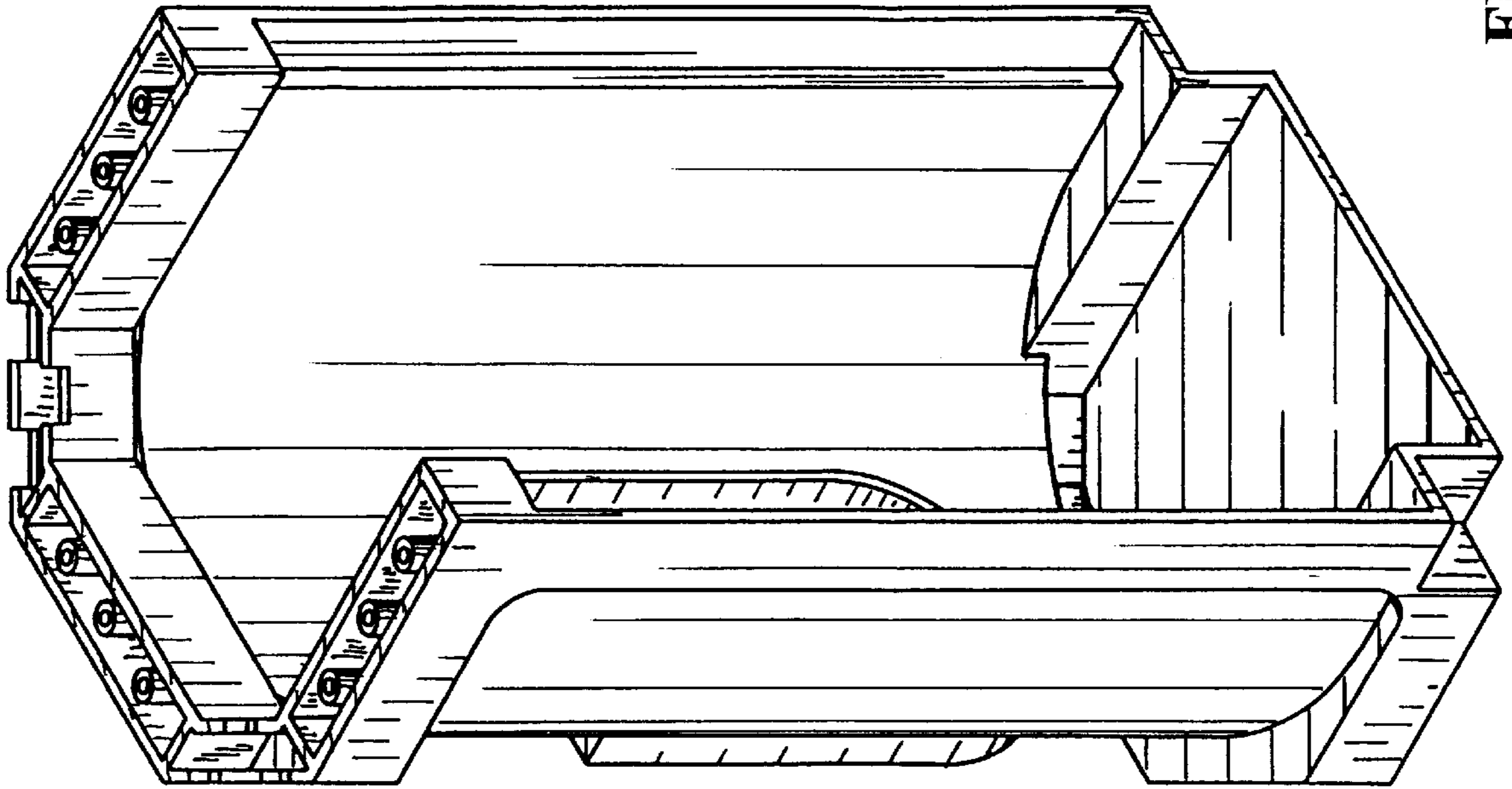


FIG. 8

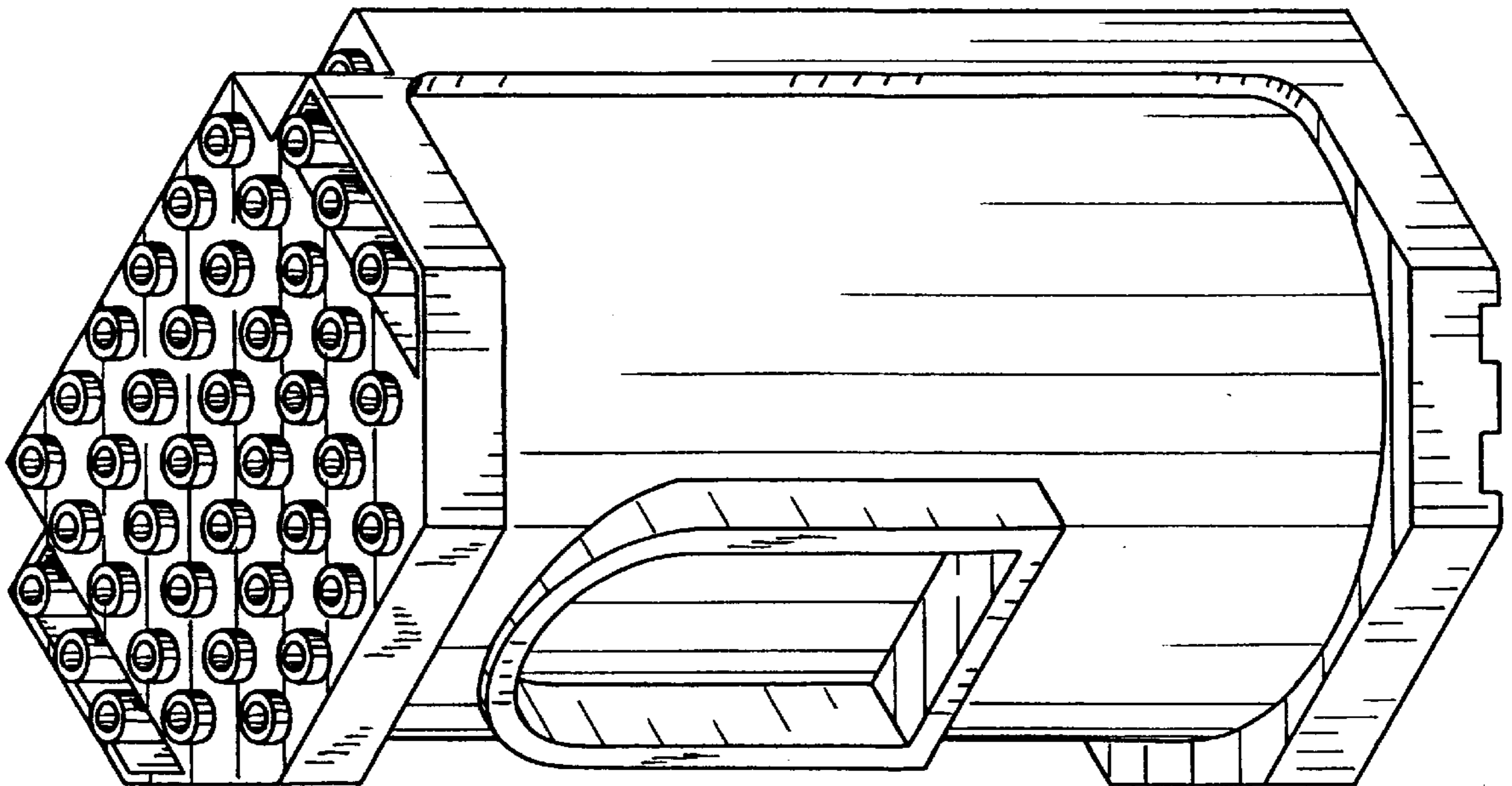


FIG. 1

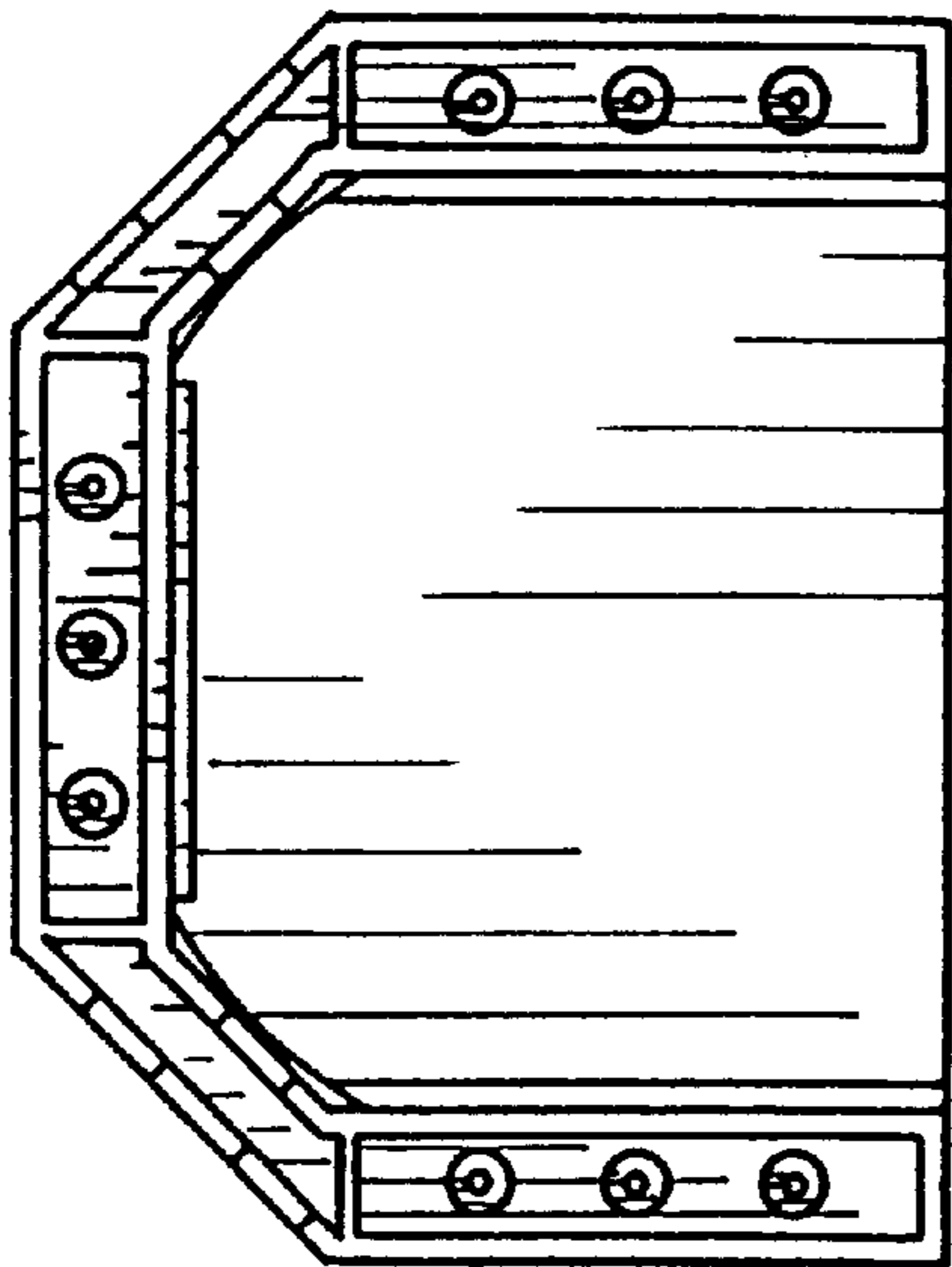


FIG. 4

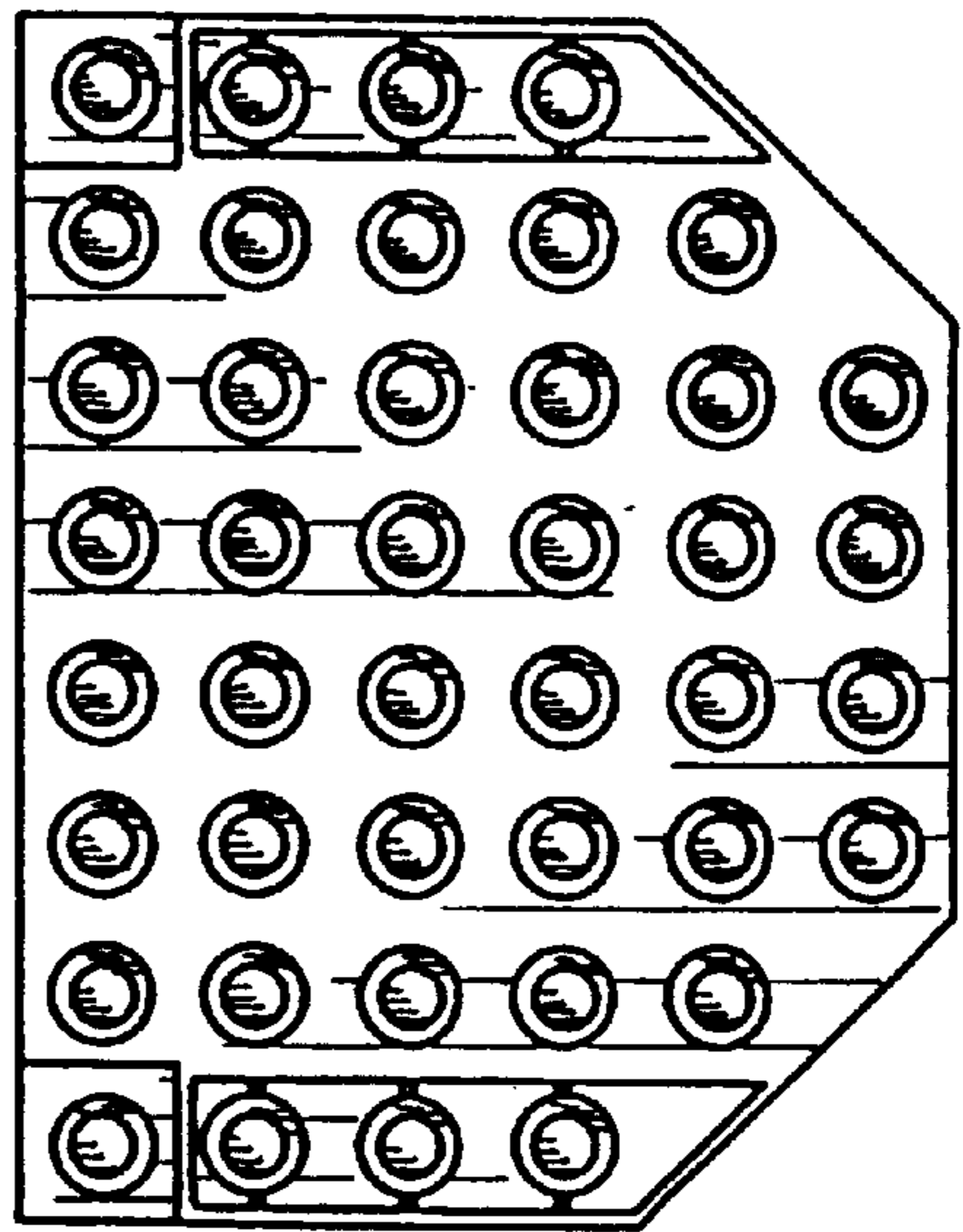


FIG. 2

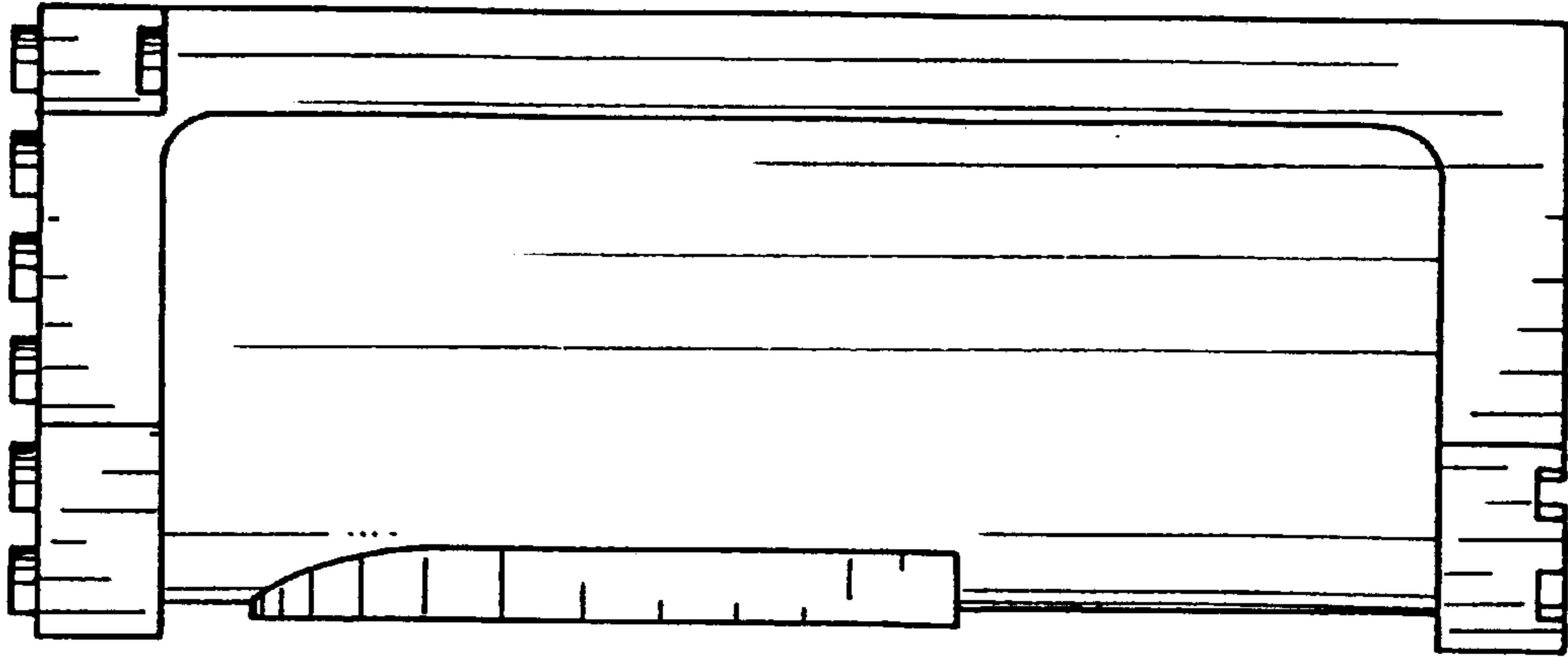


FIG. 5

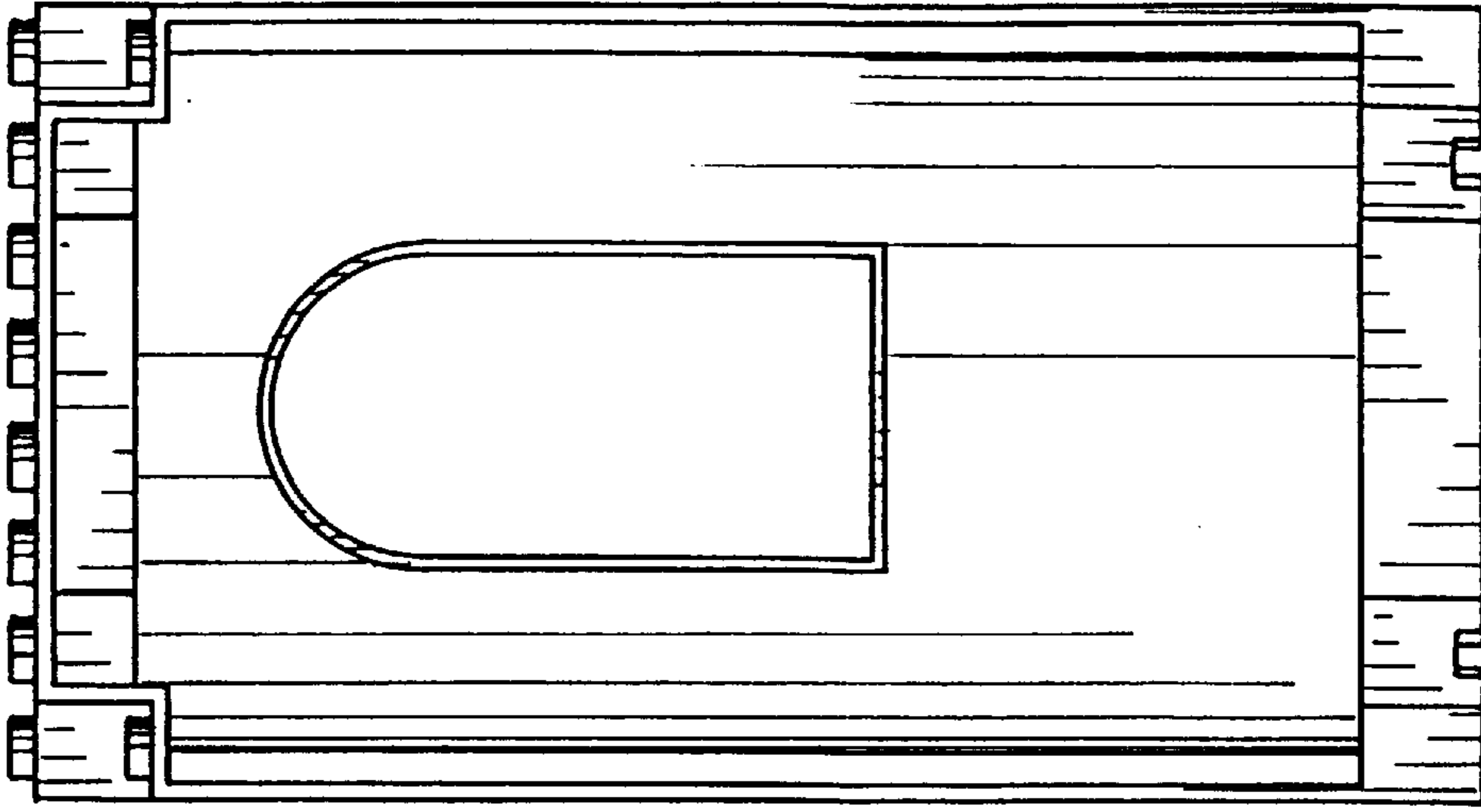


FIG. 3

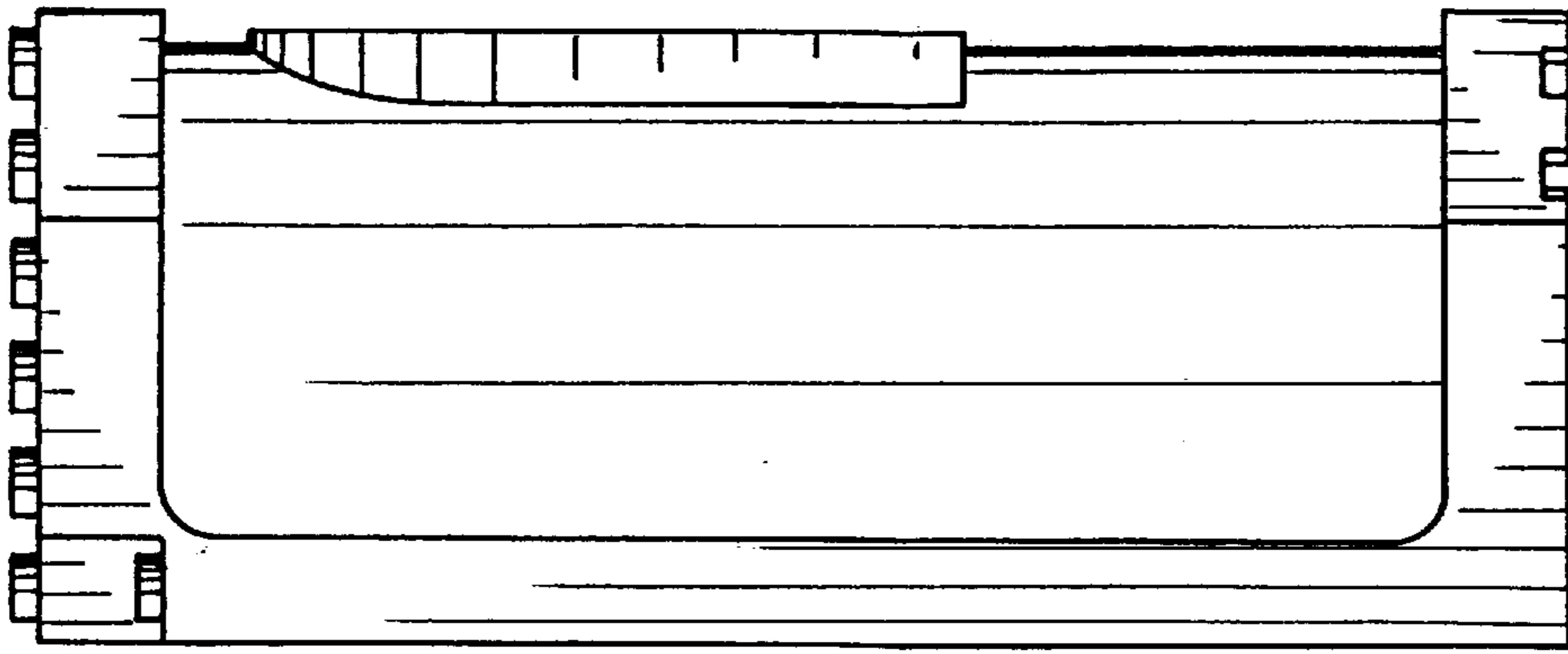


FIG. 6

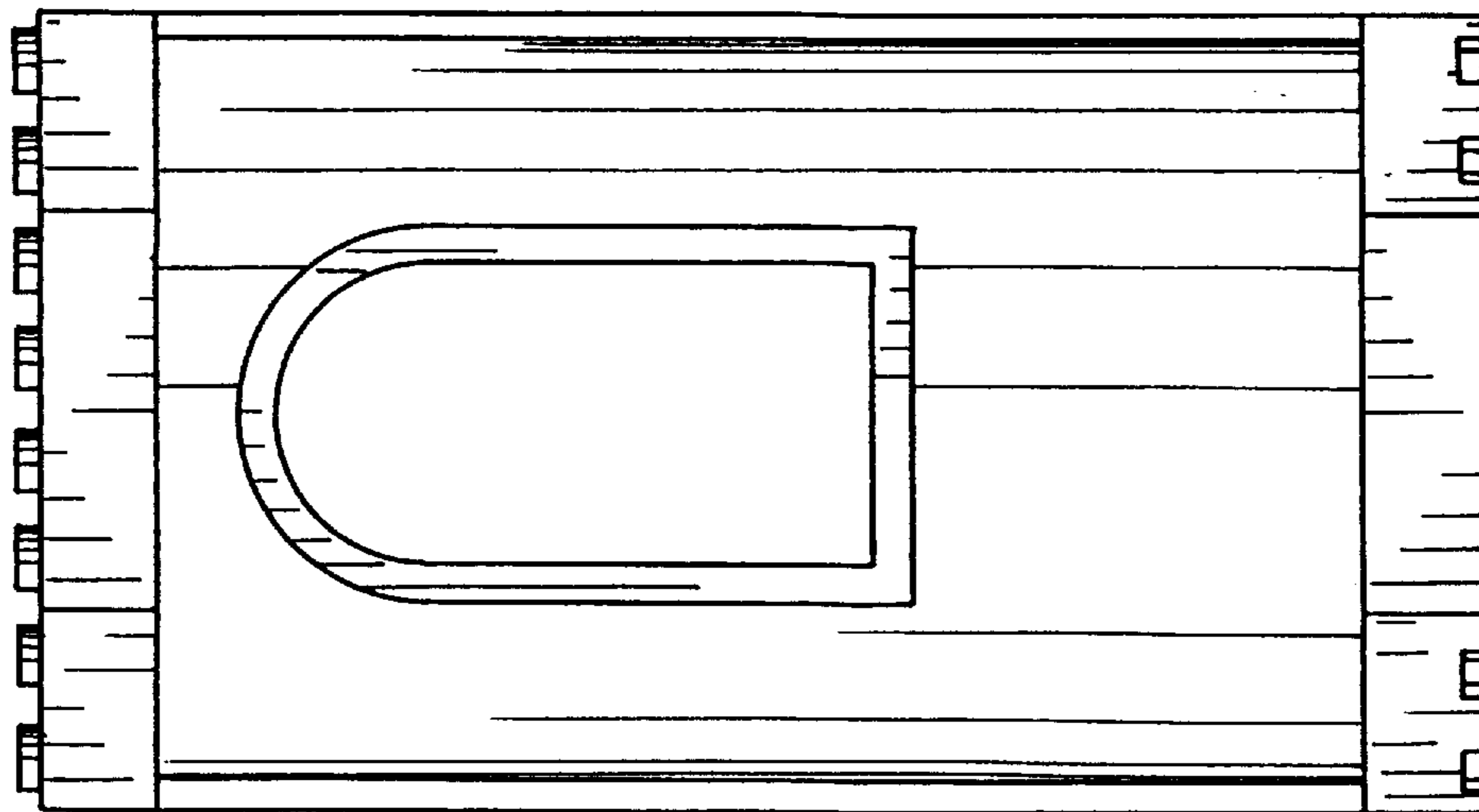


FIG. 7