



US00D412936S

United States Patent [19]

[11] Patent Number: **Des. 412,936**

Hodes

[45] Date of Patent: **** Aug. 17, 1999**

[54] **BINDER COVER**

[75] Inventor: **Deborah L. Hodes**, Middleburg, Va.

[73] Assignee: **Pen-Tab Industries, Inc.**, Front Royal, Va.

[**] Term: **14 Years**

[21] Appl. No.: **29/085,398**

[22] Filed: **Mar. 23, 1998**

[51] **LOC (6) Cl.** **19-04**

[52] **U.S. Cl.** **D19/26; D19/27**

[58] **Field of Search** D19/26, 27, 28, D19/32, 33, 86, 90, 91, 99, 100; D281/3.1, 15.1, 17, 19.1, 21.1, 27.1, 27.2, 27.3, 29, 35, 44, 45, 51; 190/127, 900, 901; D3/247, 301, 303

D. 388,250	12/1997	Robinson et al.	D3/900
D. 393,873	4/1998	Hodes	D19/26
D. 393,947	5/1998	Alves et al.	D3/303
2,018,551	10/1935	Freling	190/127
2,755,837	7/1956	Kosek	190/901 X

Primary Examiner—Martie K. Holtje
Attorney, Agent, or Firm—Finnegan, Henderson, Farabow, Garrett & Dunner, L.L.P.

[57] CLAIM

The ornamental design for a binder cover, as shown and described.

DESCRIPTION

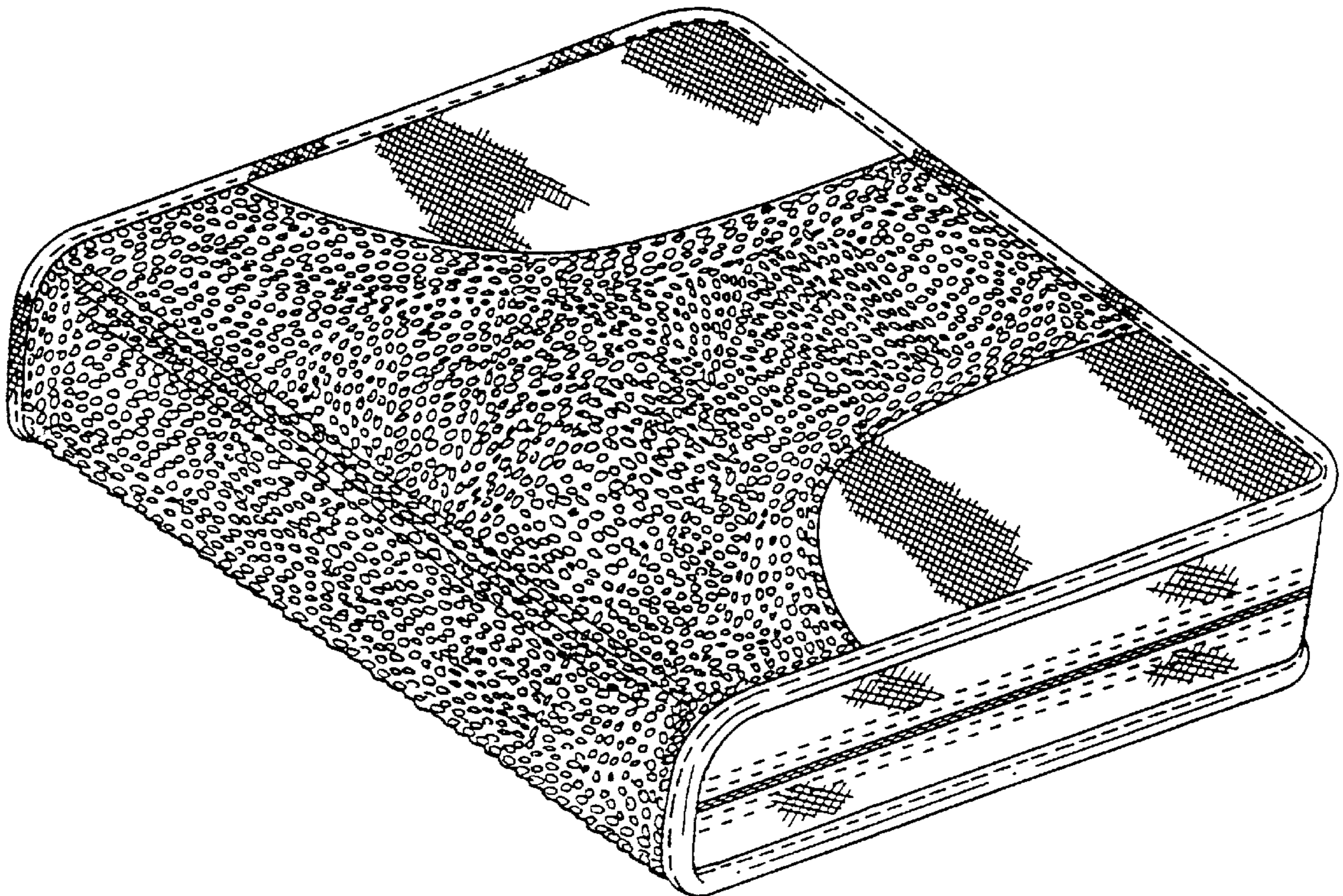
FIG. 1 is a perspective view of a binder cover embodying my new design;
FIG. 2 is a top plan view thereof, the bottom plan view being a mirror image thereof;
FIG. 3 is a front elevational view thereof;
FIG. 4 is a right side elevational view thereof;
FIG. 5 is a rear elevational view thereof;
FIG. 6 is a left side elevational view thereof; and,
FIG. 7 is an enlarged cross-sectional view of the surface thereof taken along line 7—7 in FIG. 2.

[56] References Cited

U.S. PATENT DOCUMENTS

D. 187,321	2/1960	Mayer	D3/247
D. 343,862	2/1994	Wyant	D19/26
D. 352,604	11/1994	Johnson	D3/303
D. 377,049	12/1996	Guyer et al.	D19/27
D. 383,896	9/1997	Whang	D3/303 X

1 Claim, 3 Drawing Sheets



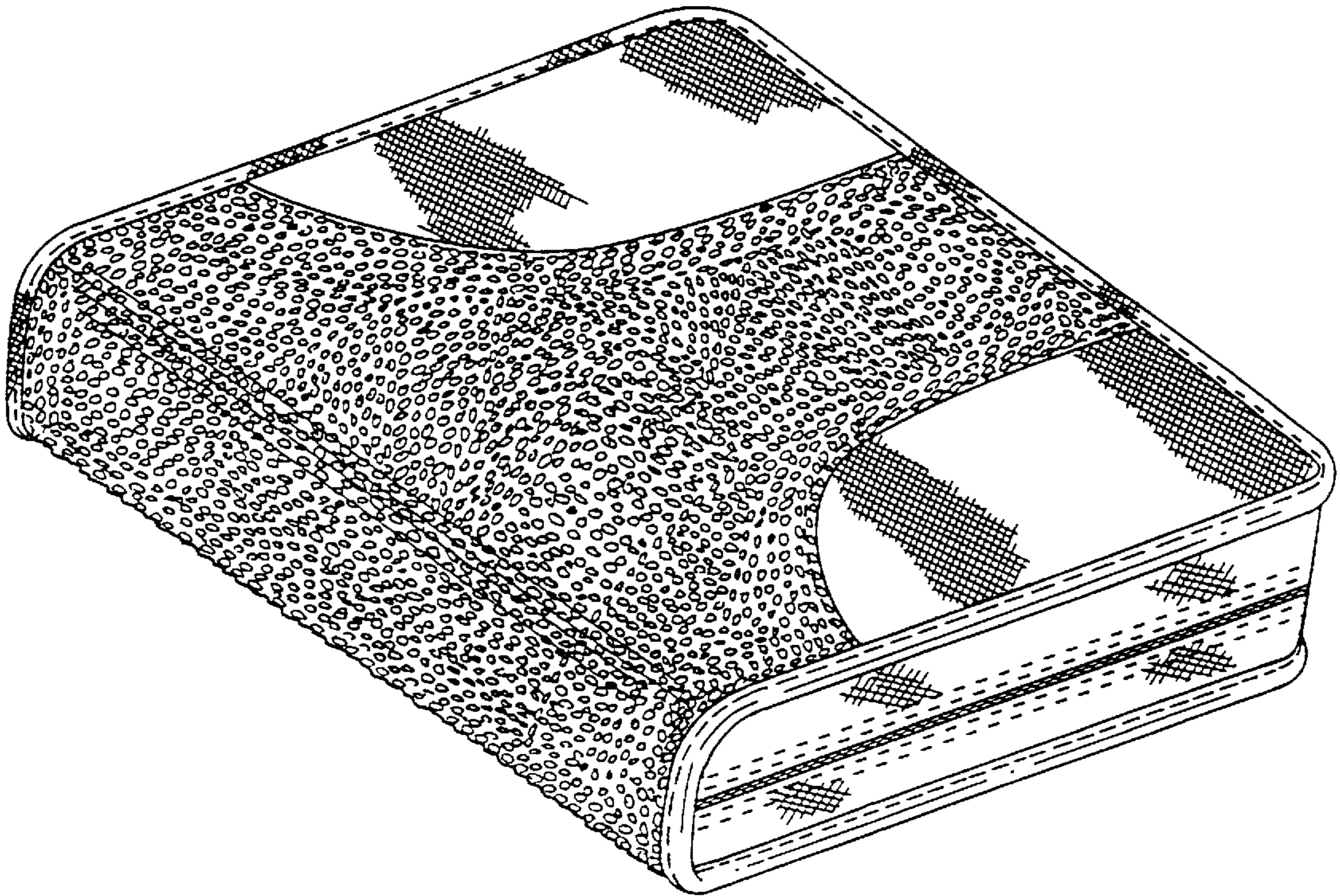


FIG. 1

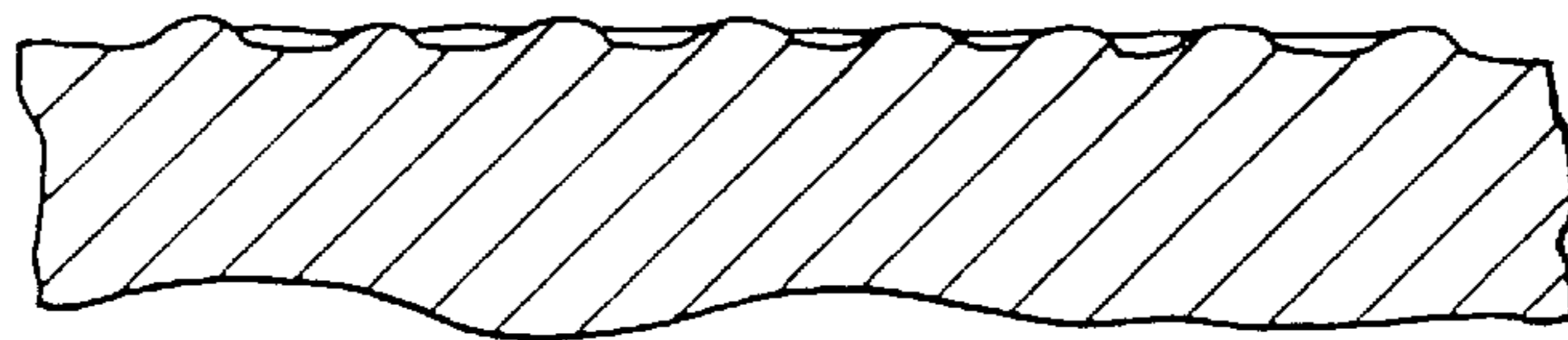


FIG. 7

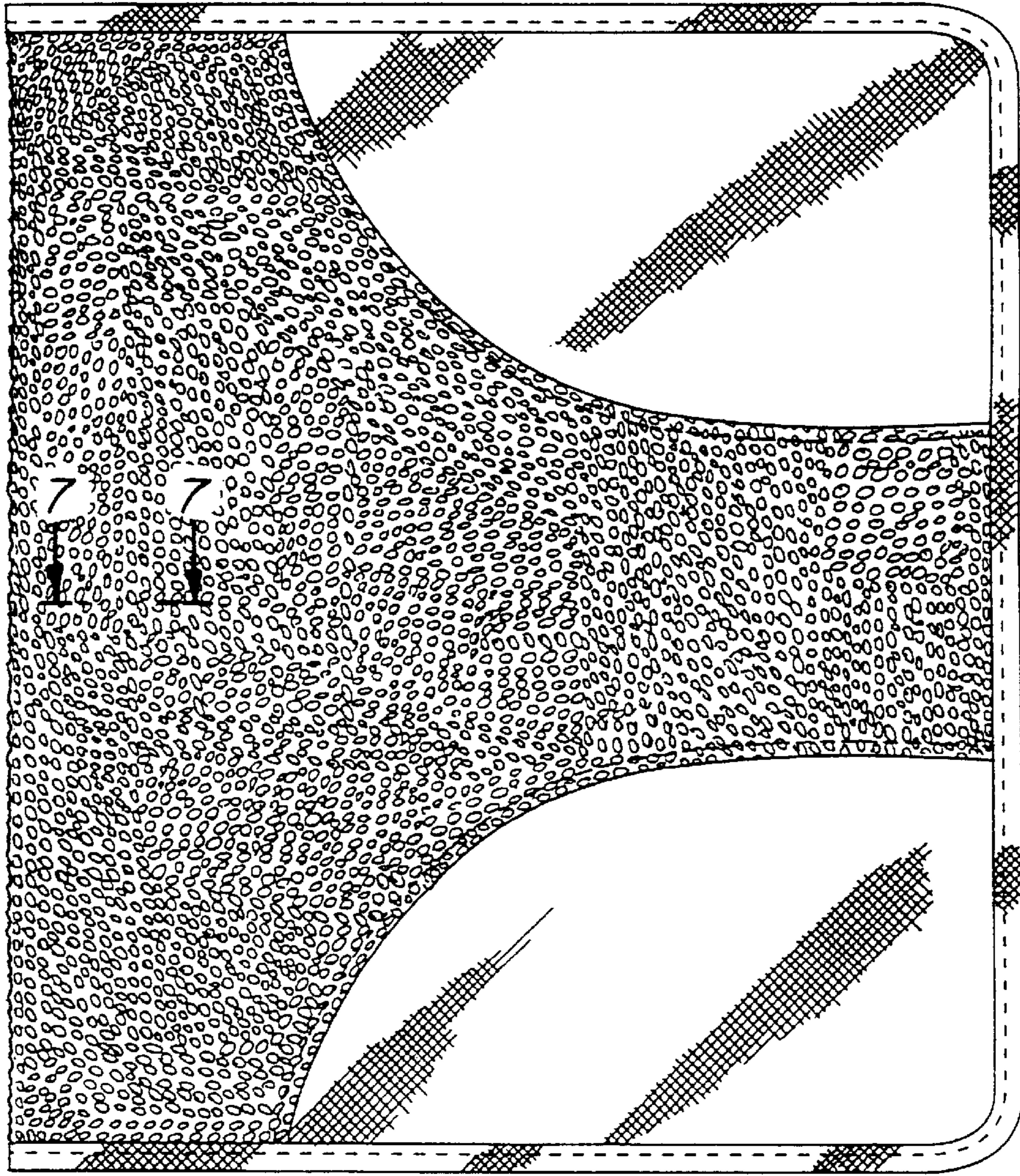


FIG. 2

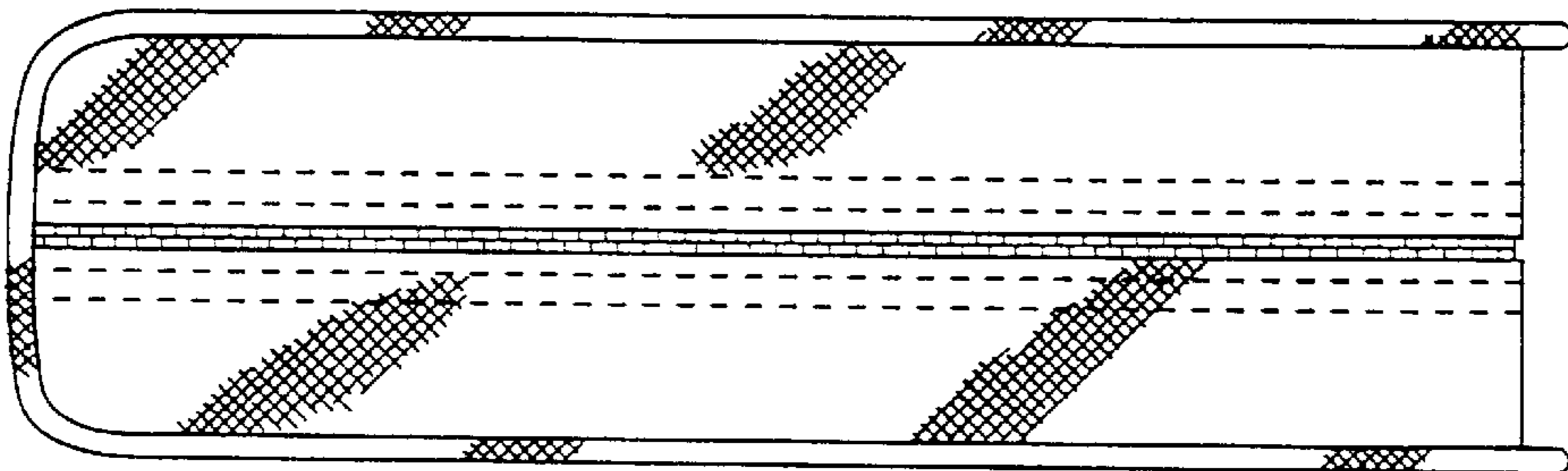


FIG. 3

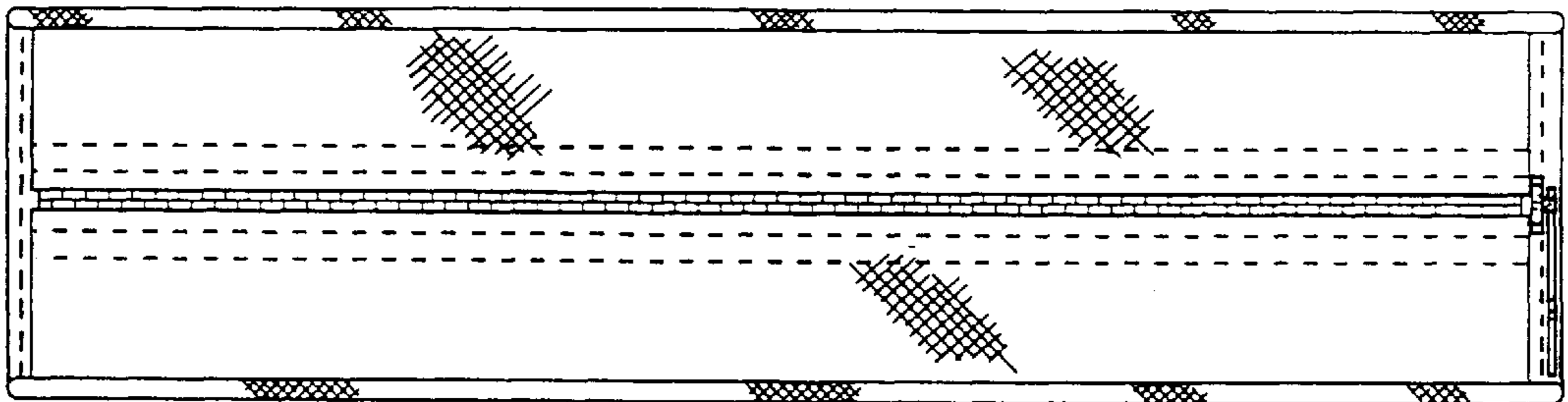


FIG. 4

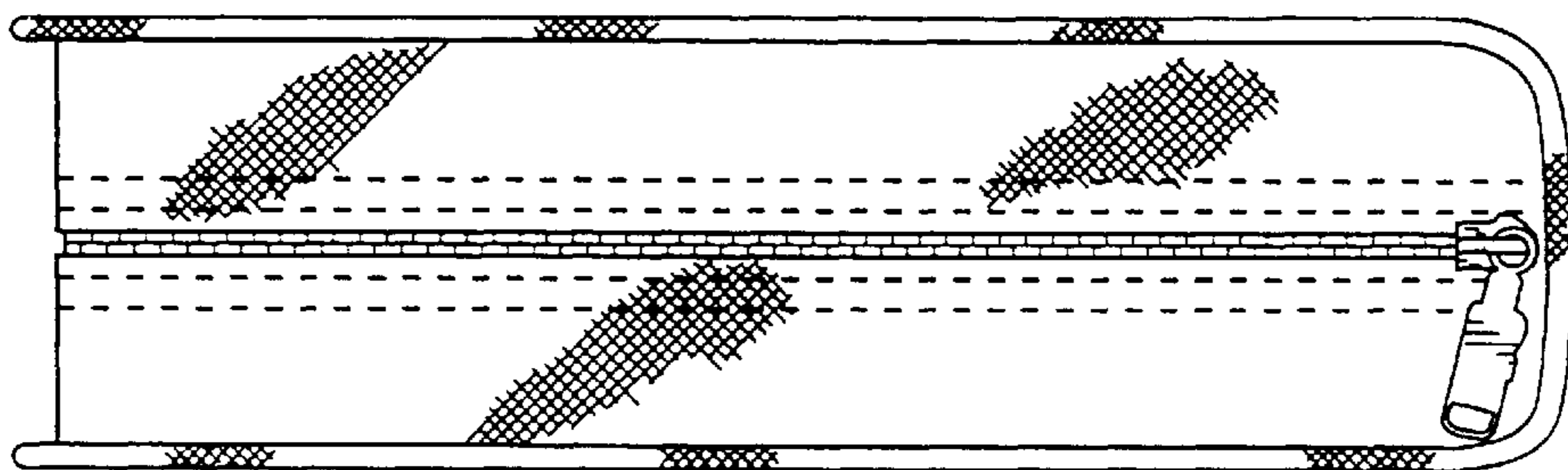


FIG. 5

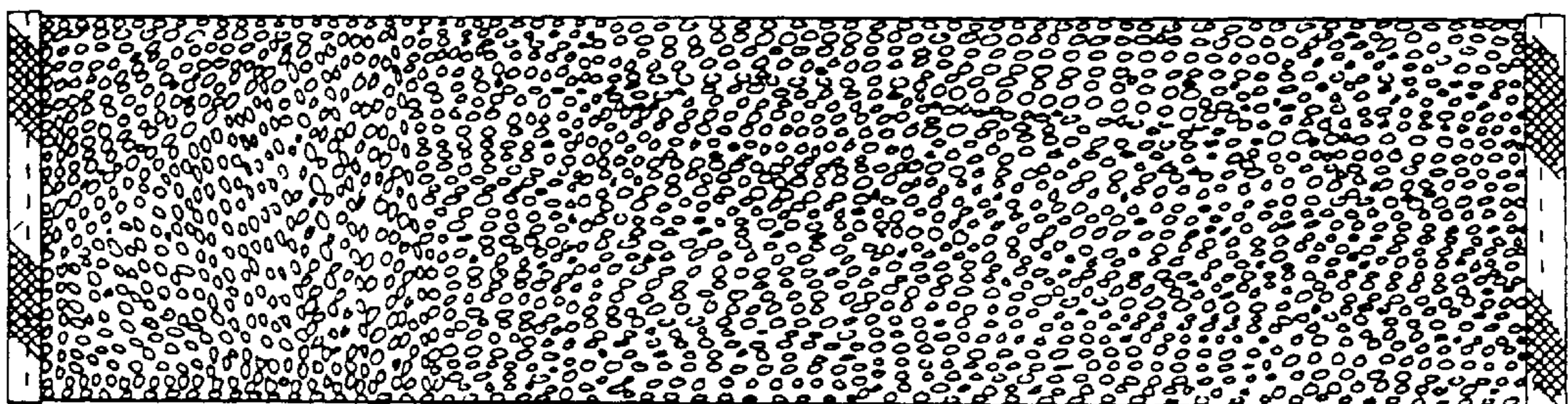


FIG. 6