



US00D412935S

United States Patent [19] Finnie

[11] Patent Number: Des. 412,935

[45] Date of Patent: ** Aug. 17, 1999

[54] **SPECIALTY PICTURE GREETING CARD WITH DISPLAY EASEL**

[76] Inventor: **Vickie P. Finnie**, 684 Clarks Ferry Rd., Ledbetter, Ky. 42058-9506

[**] Term: **14 Years**

[21] Appl. No.: **29/072,444**

[22] Filed: **Jun. 17, 1997**

[51] **LOC (6) Cl.** **19-01**

[52] **U.S. Cl.** **D19/2; D6/300**

[58] **Field of Search** D6/300-314; D19/1, D19/2, 3, 4, 26, 27, 32, 33, 86, 90, 95, 99, 100; 40/124.01, 124.06, 124.11, 124.17, 700, 703, 722, 745, 790; 281/38

[56] **References Cited**

U.S. PATENT DOCUMENTS

D. 278,666	5/1985	McCartin	D6/300
D. 278,865	5/1985	McCaffery	D6/300 X
D. 280,150	8/1985	Pargman	D6/300 X
D. 304,459	11/1989	Lambert	.	
D. 353,942	1/1995	Lo et al.	D6/310
3,174,244	3/1965	Walton	.	
4,001,958	1/1977	Fecko	.	
5,081,776	1/1992	Stone et al.	.	

5,135,157	8/1992	Cruz	.	
5,303,487	4/1994	Olson	.	
5,318,327	6/1994	Daneshvar	.	
5,375,351	12/1994	King, Jr. et al.	.	
5,435,085	7/1995	Johnson	.	
5,437,514	8/1995	Minch	281/38 X
5,490,739	2/1996	Olson	281/38 X
5,522,622	6/1996	Segar	.	

Primary Examiner—Martie K. Holtie
Attorney, Agent, or Firm—Richard C. Litman

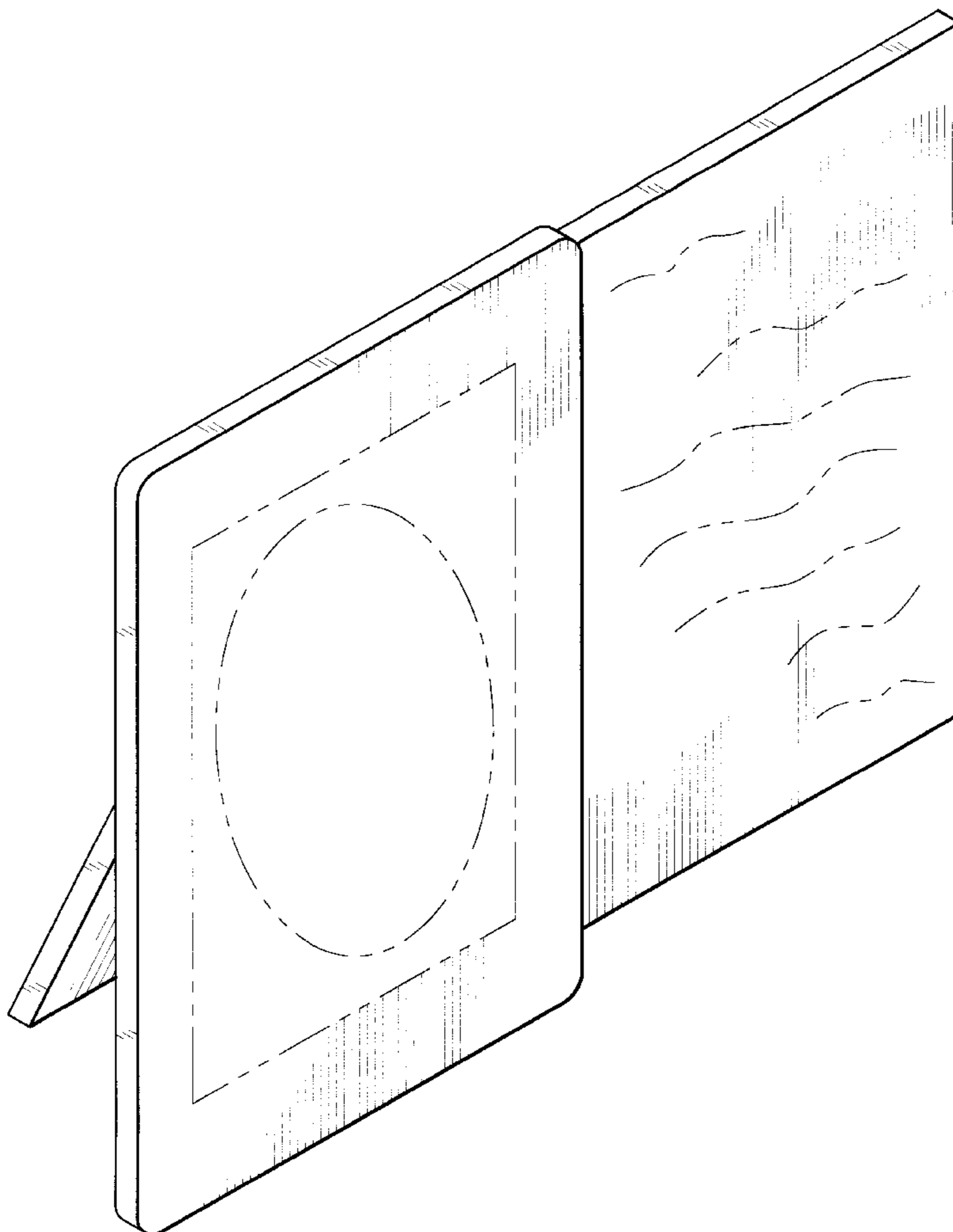
[57] **CLAIM**

The ornamental design for a specialty picture greeting card with display easel, as shown and described.

DESCRIPTION

FIG. 1 is an environmental perspective view of a specialty picture greeting card showing my new design; FIG. 2 is a front elevational view thereof; FIG. 3 is a rear elevational view thereof; FIG. 4 is a rear elevational view thereof with the card flap closed; and, FIG. 5 is a rear elevational view of a second embodiment. The broken line showing of a picture mat in FIG. 1-2, and indicia in FIG. 1, 2, 4 and 5 is for illustrative purposes only and forms no part of the claimed design.

1 Claim, 5 Drawing Sheets



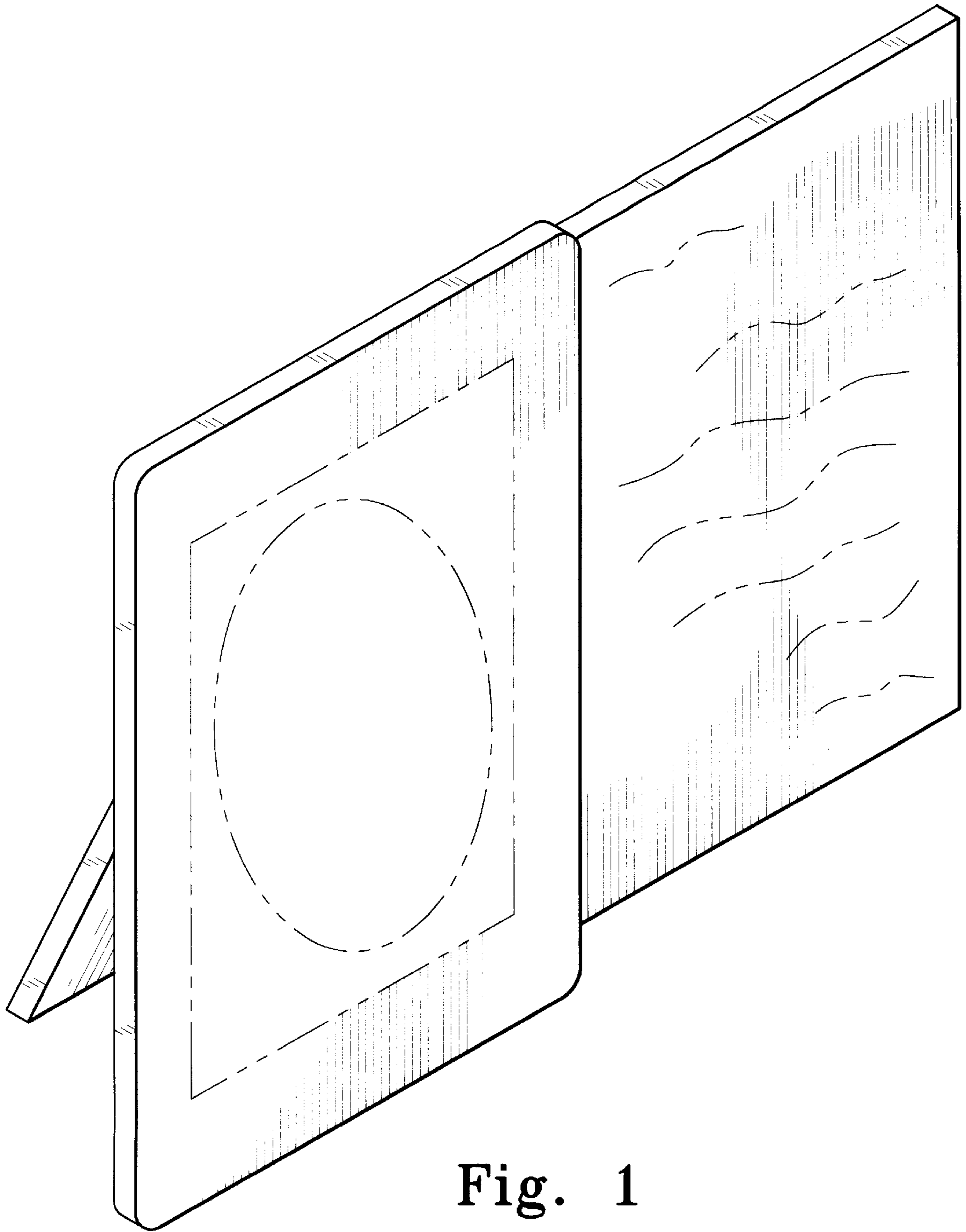


Fig. 1

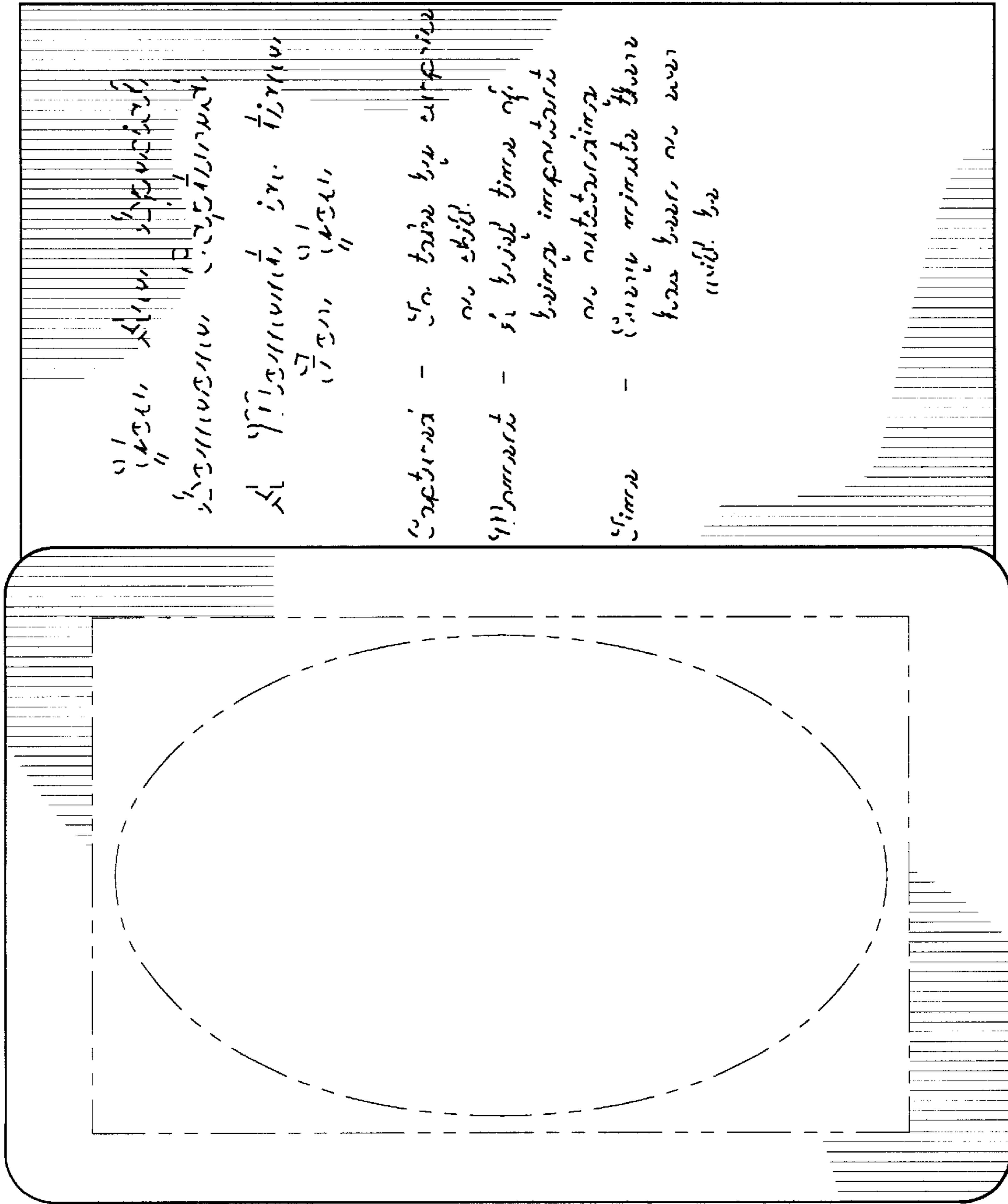


Fig. 2

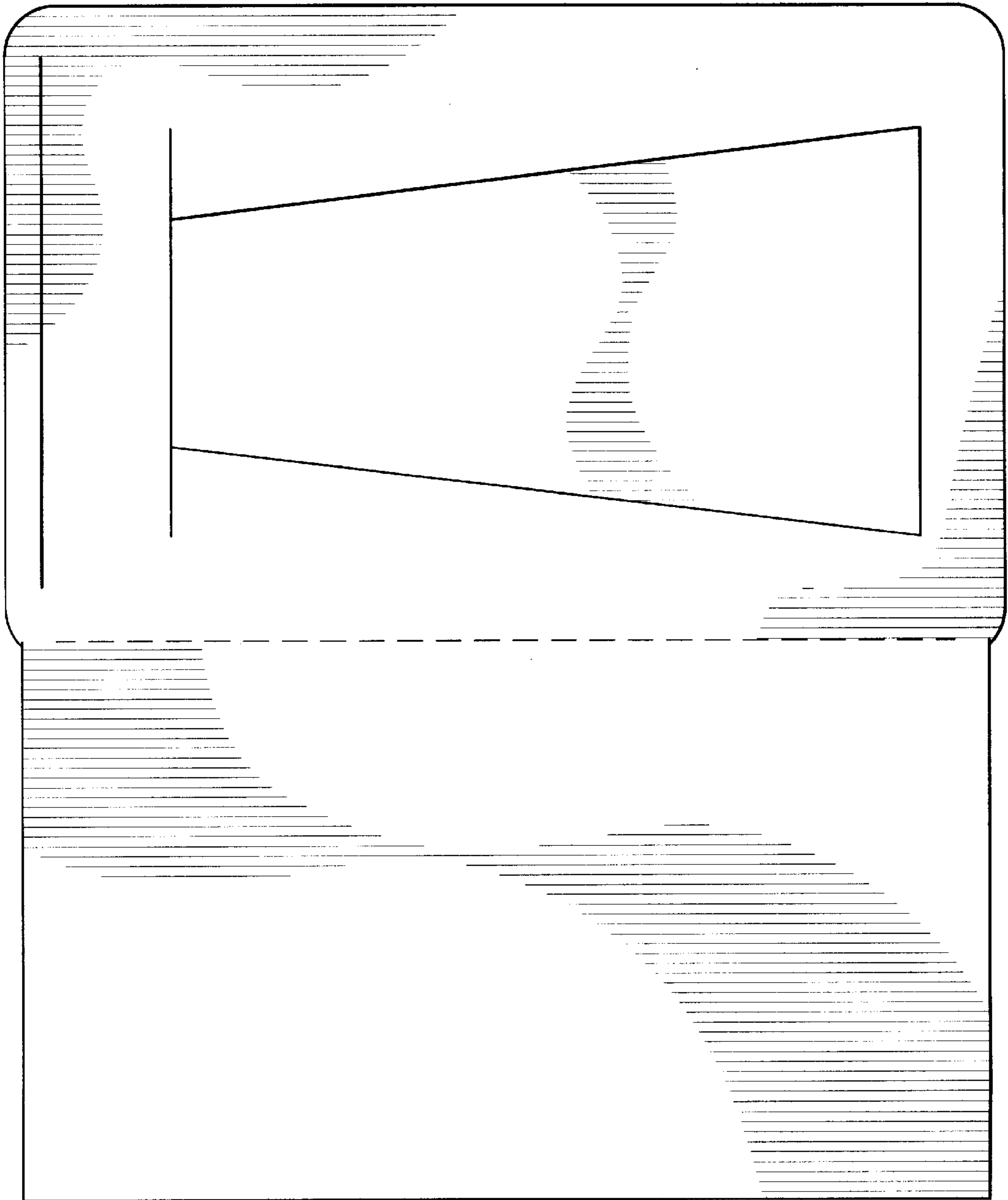


Fig. 3

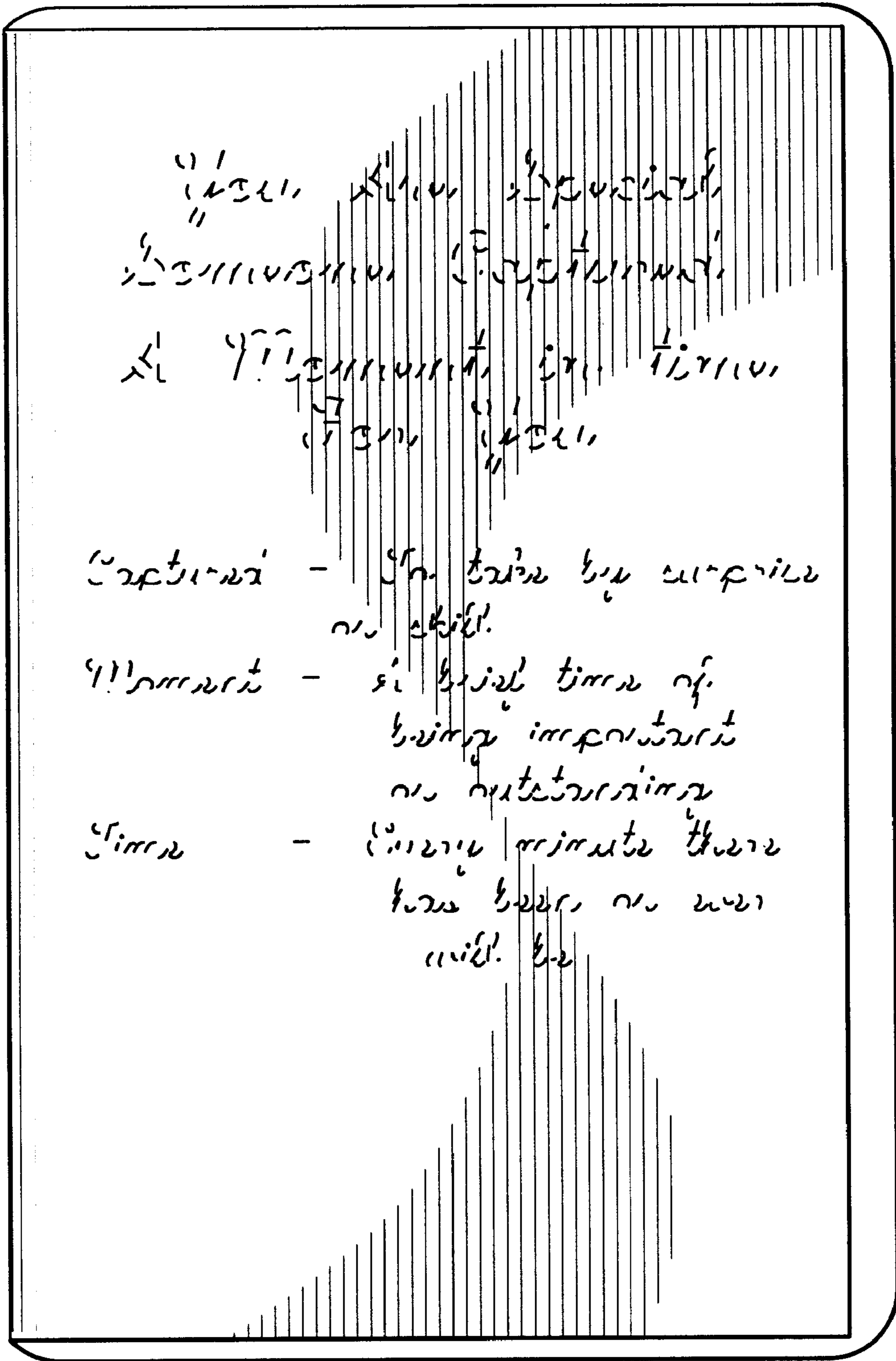


Fig. 4

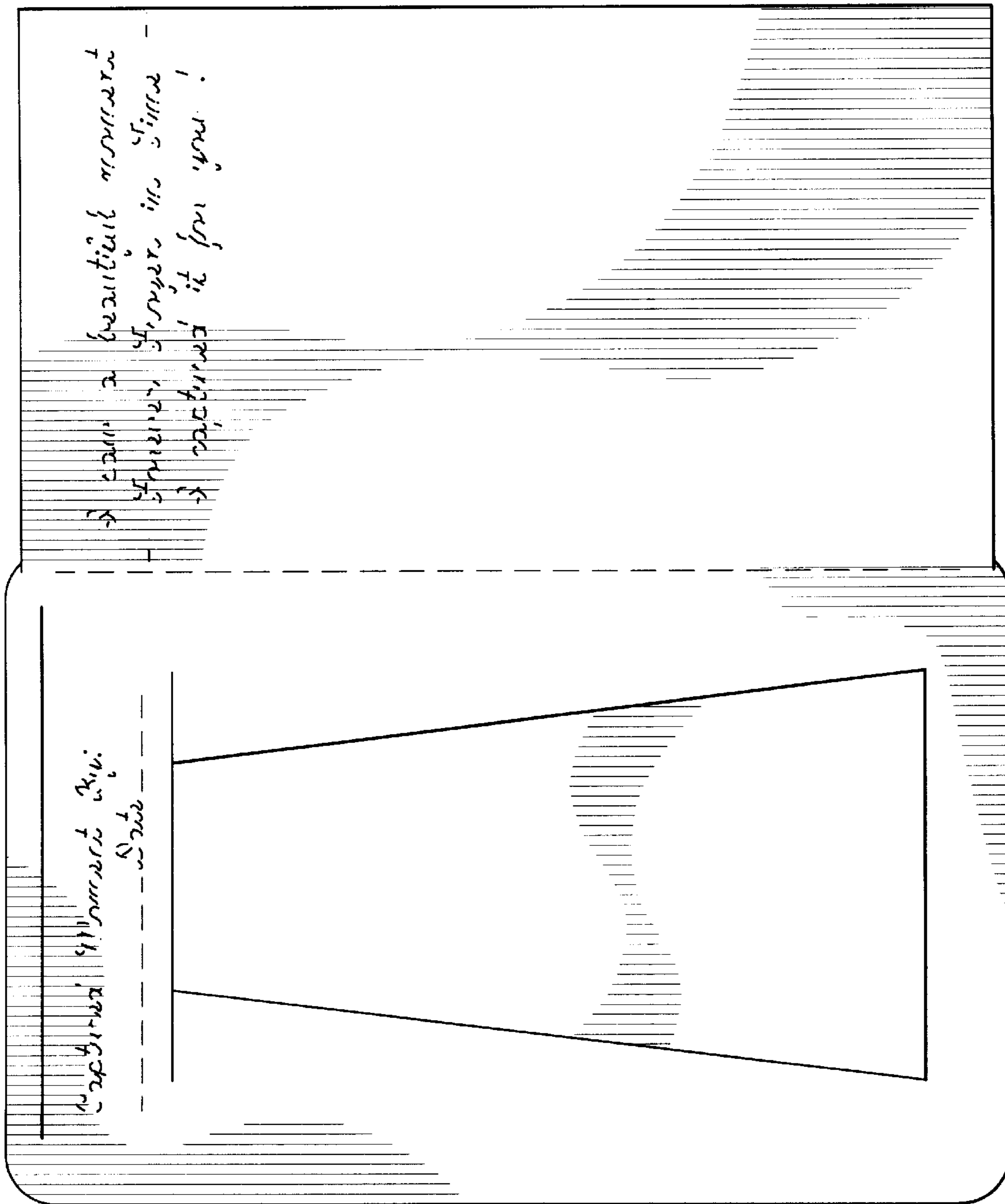


Fig. 5