



US00D412934S

# United States Patent [19] Jones

[11] **Patent Number: Des. 412,934**  
[45] **Date of Patent: \*\* \*Aug. 17, 1999**

[54] **SOLID INK STICK FOR A COLOR PRINTER**

[75] Inventor: **Brent R. Jones**, Tualatin, Oreg.

[73] Assignee: **Tektronix, Inc.**, Wilsonville, Oreg.

[\*] Notice: This patent is subject to a terminal disclaimer.

[\*\*] Term: **14 Years**

[21] Appl. No.: **29/091,580**

[22] Filed: **Jul. 31, 1998**

### Related U.S. Application Data

[63] Continuation of application No. 29/067,975, Mar. 6, 1997, which is a continuation of application No. 29/039,796, May 11, 1995, Pat. No. Des. 383,154, which is a continuation-in-part of application No. 29/033,831, Jan. 20, 1995, Pat. No. Des. 371,802, which is a continuation-in-part of application No. 29/022,541, May 6, 1994, abandoned.

[51] **LOC (6) Cl.** ..... **18-02**

[52] **U.S. Cl.** ..... **D18/56; 347/88**

[58] **Field of Search** ..... **D18/56; 347/88, 347/99, 54; 106/31.29, 31.61**

### [56] References Cited

#### U.S. PATENT DOCUMENTS

D. 212,542	10/1968	McCarthy .	
D. 300,673	4/1989	Rhoa et al. .	
D. 310,130	8/1990	van Kooten .	
D. 335,683	5/1993	Smith .....	D18/56
D. 346,821	5/1994	Smith .....	D18/56
D. 371,801	7/1996	Jones et al. ....	D18/56
D. 371,802	7/1996	Jones et al. ....	D18/56
D. 372,268	7/1996	Jones et al. ....	D18/56
D. 372,270	7/1996	Jones et al. ....	D18/56
D. 373,139	8/1996	Jones et al. ....	D18/56
D. 380,771	7/1997	Jones .....	D18/56

D. 383,153	9/1997	Jones et al. ....	D18/56
D. 383,154	9/1997	Jones et al. ....	D18/56
D. 402,308	12/1998	Yao et al. ....	D18/56
4,823,146	4/1989	Cooke et al. .	
5,123,961	6/1992	Yamamoto .	
5,223,860	6/1993	Loofbourow et al. .	
5,270,730	12/1993	Yaegashi et al. .	
5,341,164	8/1994	Miyazawa et al. ....	347/88
5,405,438	4/1995	Fujioka .	
5,510,821	4/1996	Jones et al. ....	347/88
5,734,402	3/1998	Rousseau et al. ....	347/88
5,784,089	7/1998	Crawford .....	347/88

#### FOREIGN PATENT DOCUMENTS

564742A2	10/1993	European Pat. Off. ....	347/88
----------	---------	-------------------------	--------

#### OTHER PUBLICATIONS

Copy of Specification and Drawings of Parent Application Serial No. 29/067,975.

*Primary Examiner*—Cathy Anne MacCormac  
*Attorney, Agent, or Firm*—Charles F. Moore

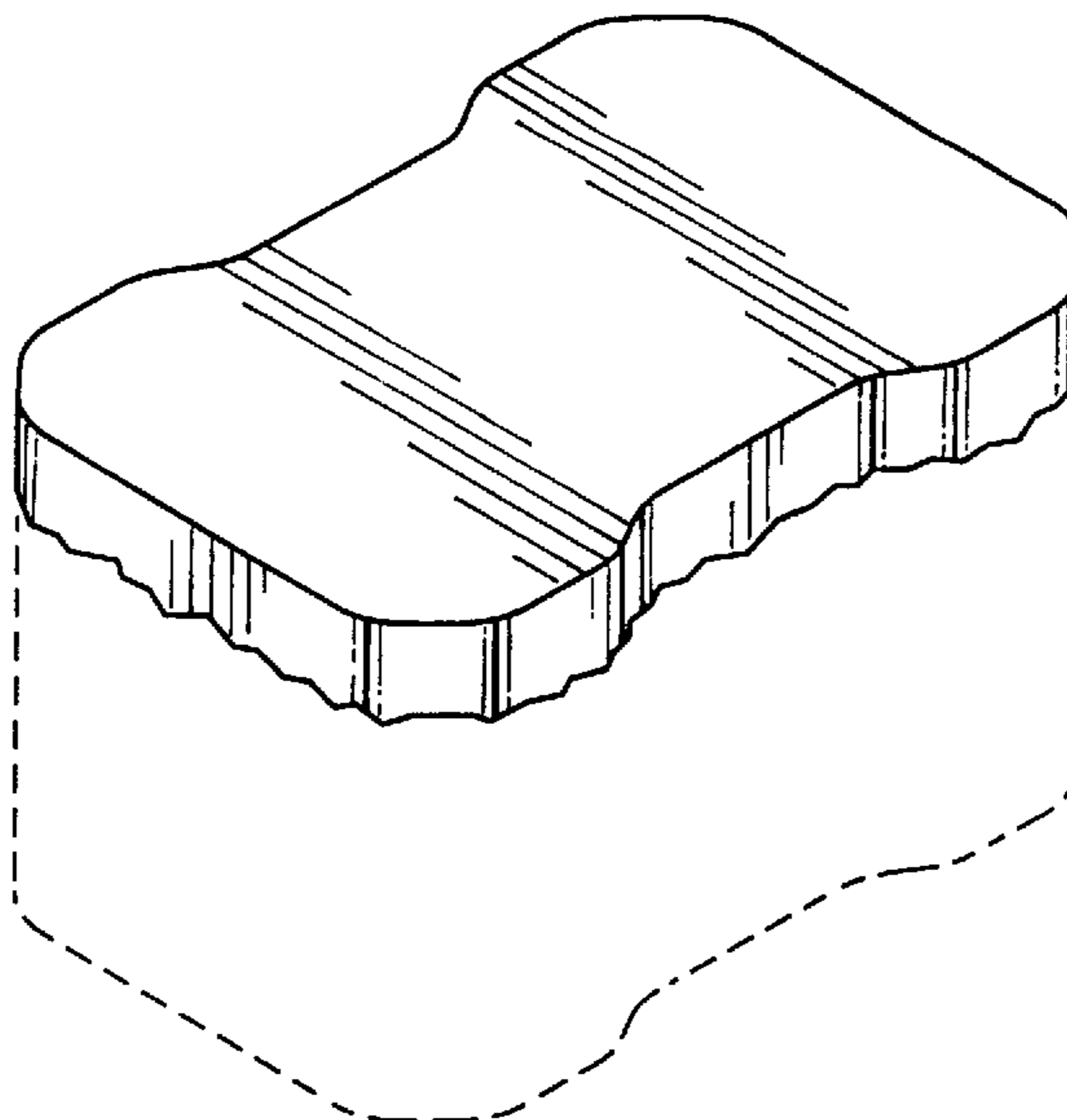
### [57] CLAIM

The ornamental design for a solid ink stick for a color printer, as shown and described.

### DESCRIPTION

FIG. 1 is a front perspective view of a solid ink stick for a color printer showing the top surface and the contour of the side surfaces of my new design; FIG. 2 is a top plan view thereof; FIG. 3 is a side elevational view thereof, the opposite side being identical; and, FIG. 4 is an end elevational view thereof, the opposite end being identical. The broken line portions of FIGS. 1, 3, and 4 are environmental only and form no part of the claimed design.

**1 Claim, 1 Drawing Sheet**



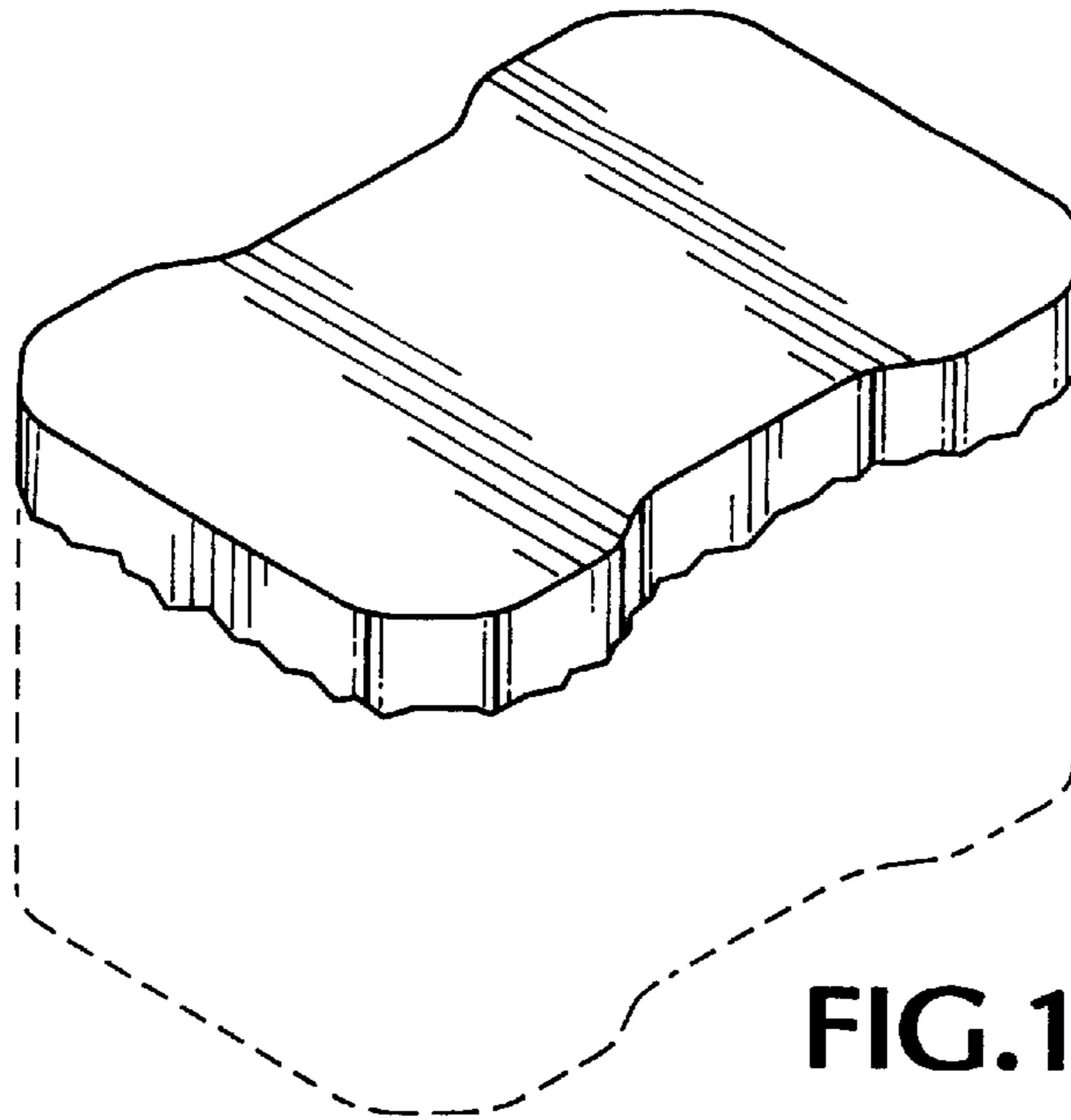


FIG. 1

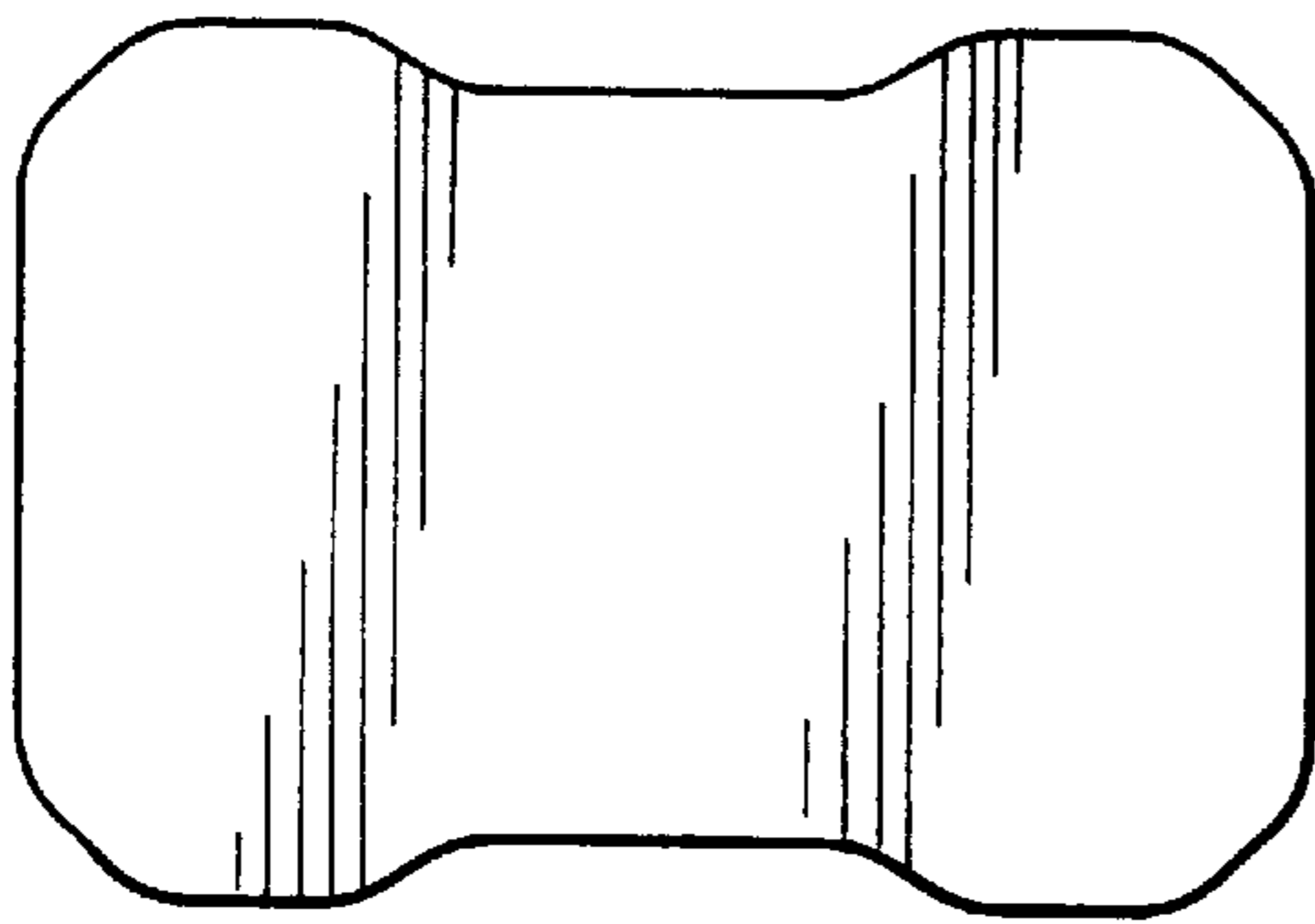


FIG. 2

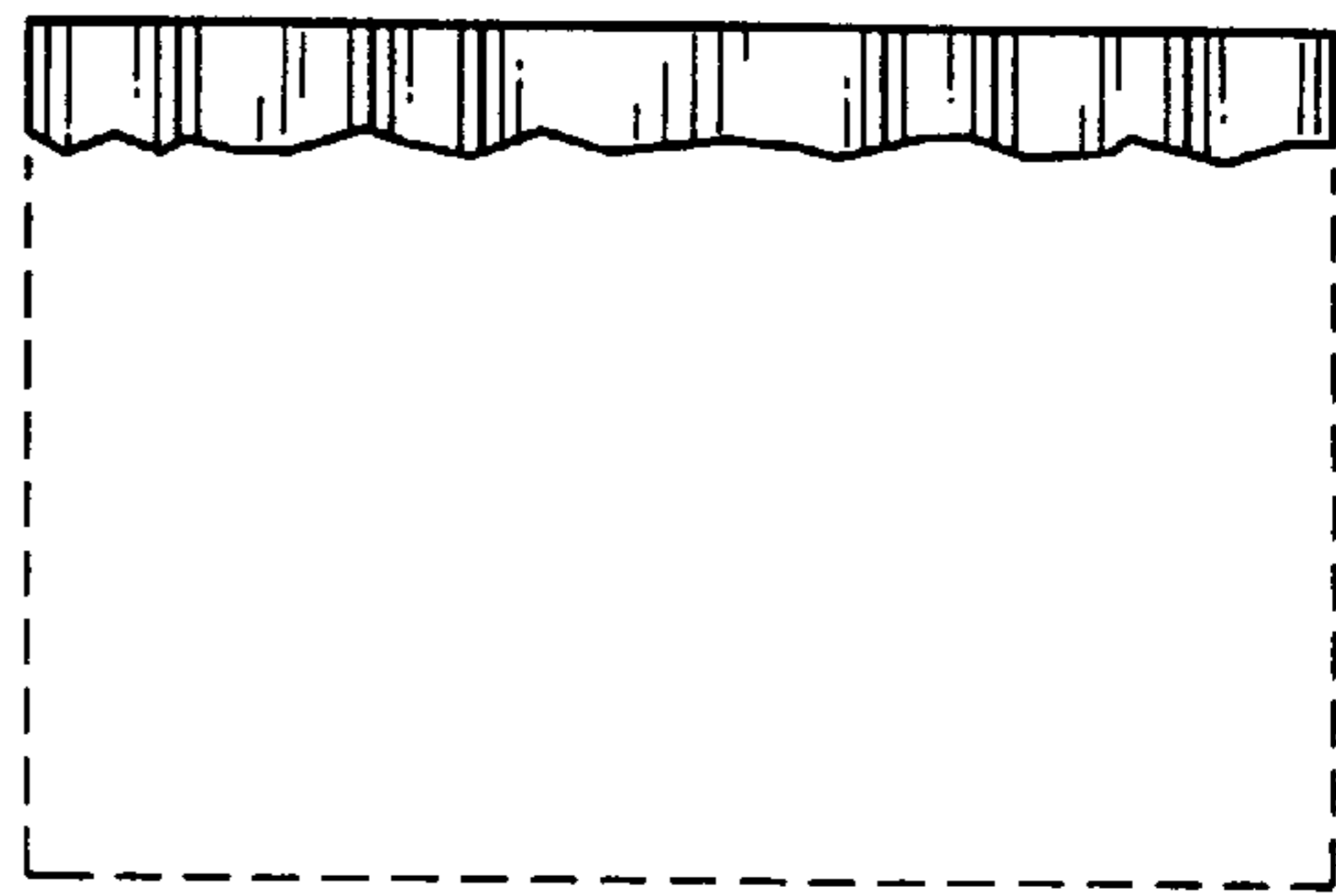


FIG. 3

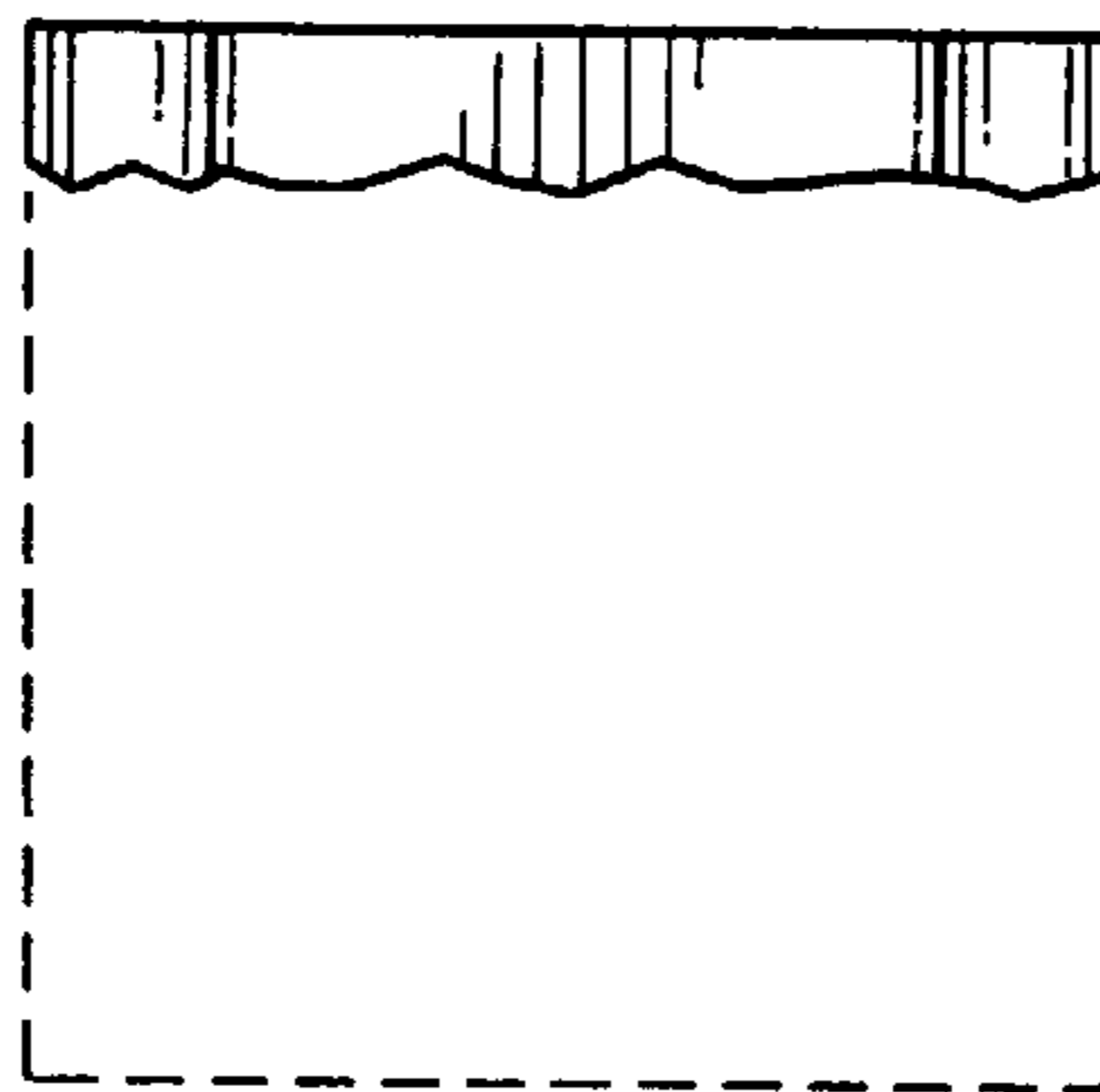


FIG. 4