



US00D412933S

United States Patent [19] Laidlaw

[11] **Patent Number: Des. 412,933**

[45] **Date of Patent: ** Aug. 17, 1999**

[54] **DOCUMENT PRINTER**

[75] Inventor: **Anthony G. Laidlaw**, Boise, Id.

[73] Assignee: **Hewlett-Packard Company**, Palo Alto, Calif.

[**] Term: **14 Years**

[21] Appl. No.: **29/089,624**

[22] Filed: **Jun. 18, 1998**

Related U.S. Application Data

[62] Division of application No. 29/078,269, Oct. 21, 1997, Pat. No. Des. 402,688.

[51] **LOC (6) Cl.** **18-02**

[52] **U.S. Cl.** **D18/55**

[58] **Field of Search** D18/53-56, 37-40, D18/44, 36; D6/432, 440, 445, 446; D10/100, 102; 400/690-694, 613, 613.1-613.4; 399/107, 391-399, 361, 367, 381

[56] **References Cited**

U.S. PATENT DOCUMENTS

D. 368,927 4/1996 Kim D18/55

D. 374,889	10/1996	Barbera et al.	D18/54
D. 379,196	5/1997	Laidlaw	D18/55
D. 384,097	9/1997	Ito	D18/55
D. 386,519	11/1997	Meschter et al.	D18/55
D. 388,455	12/1997	Tanabe	D18/55
D. 402,698	12/1998	Falk et al.	D18/55

Primary Examiner—Louis S. Zarfes
Assistant Examiner—Gregory Andoll

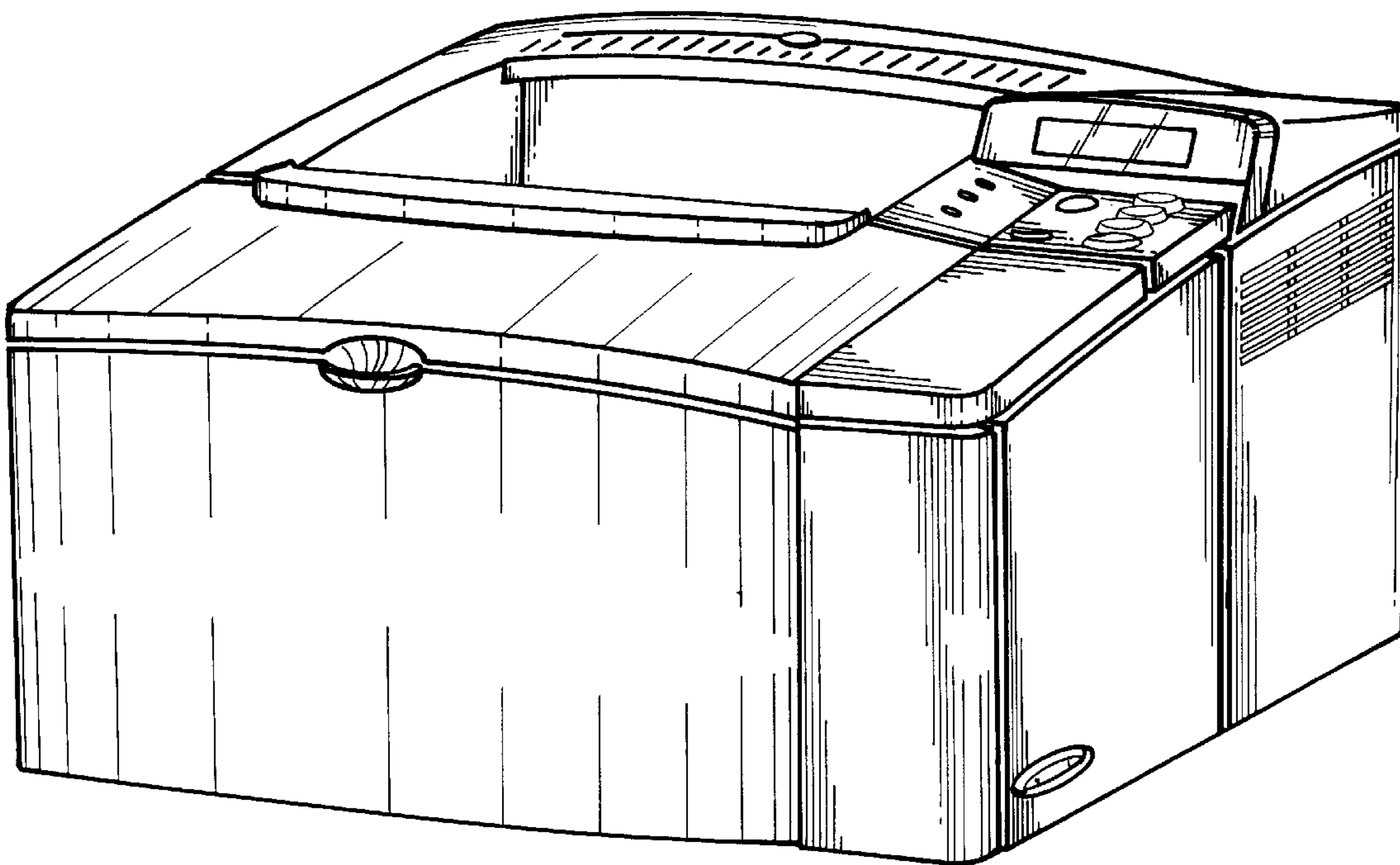
[57] **CLAIM**

The ornamental design for a document printer, as shown and described.

DESCRIPTION

FIG. 1 is a front perspective view of a document printer showing my new design;
FIG. 2 is a front elevational view of the document printer of FIG. 1;
FIG. 3 is a left side elevational view of the document printer of FIG. 1;
FIG. 4 is a right side elevational view of the document printer of FIG. 1; and,
FIG. 5 is a top plan view of the document printer of FIG. 1.
The rear of the document printer, not shown, forms no part of the claimed design.

1 Claim, 5 Drawing Sheets



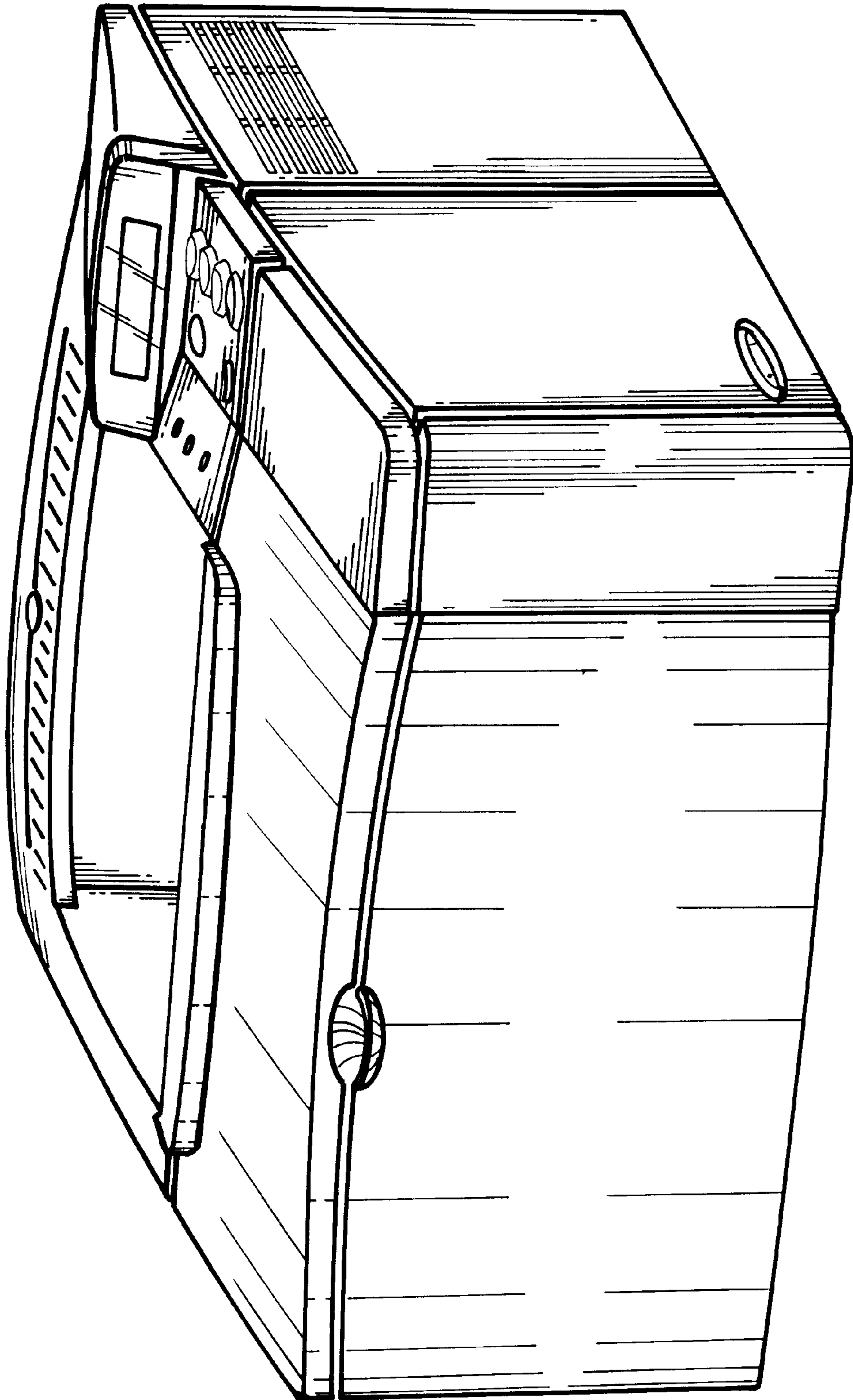


FIG. 1

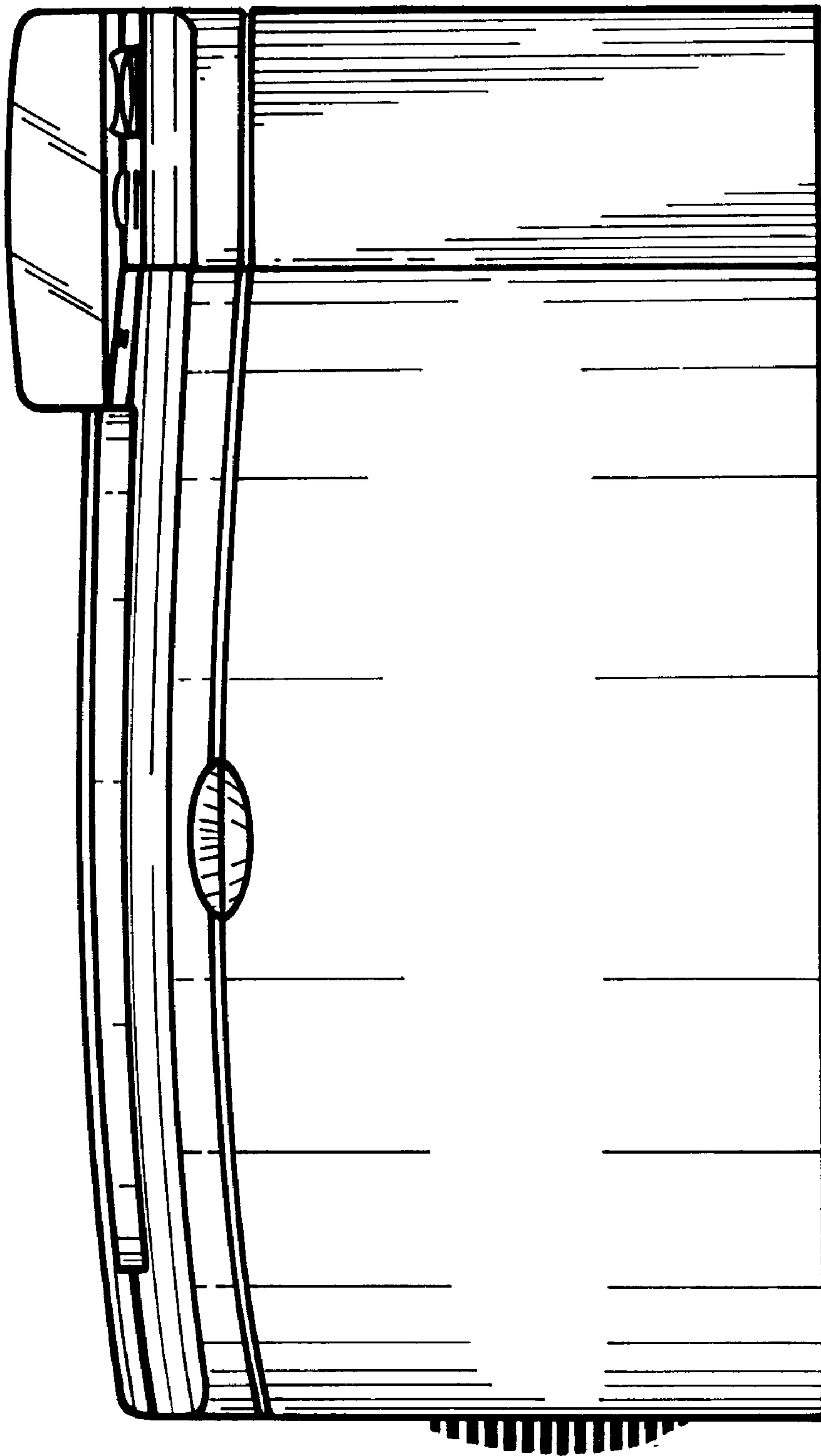


FIG. 2

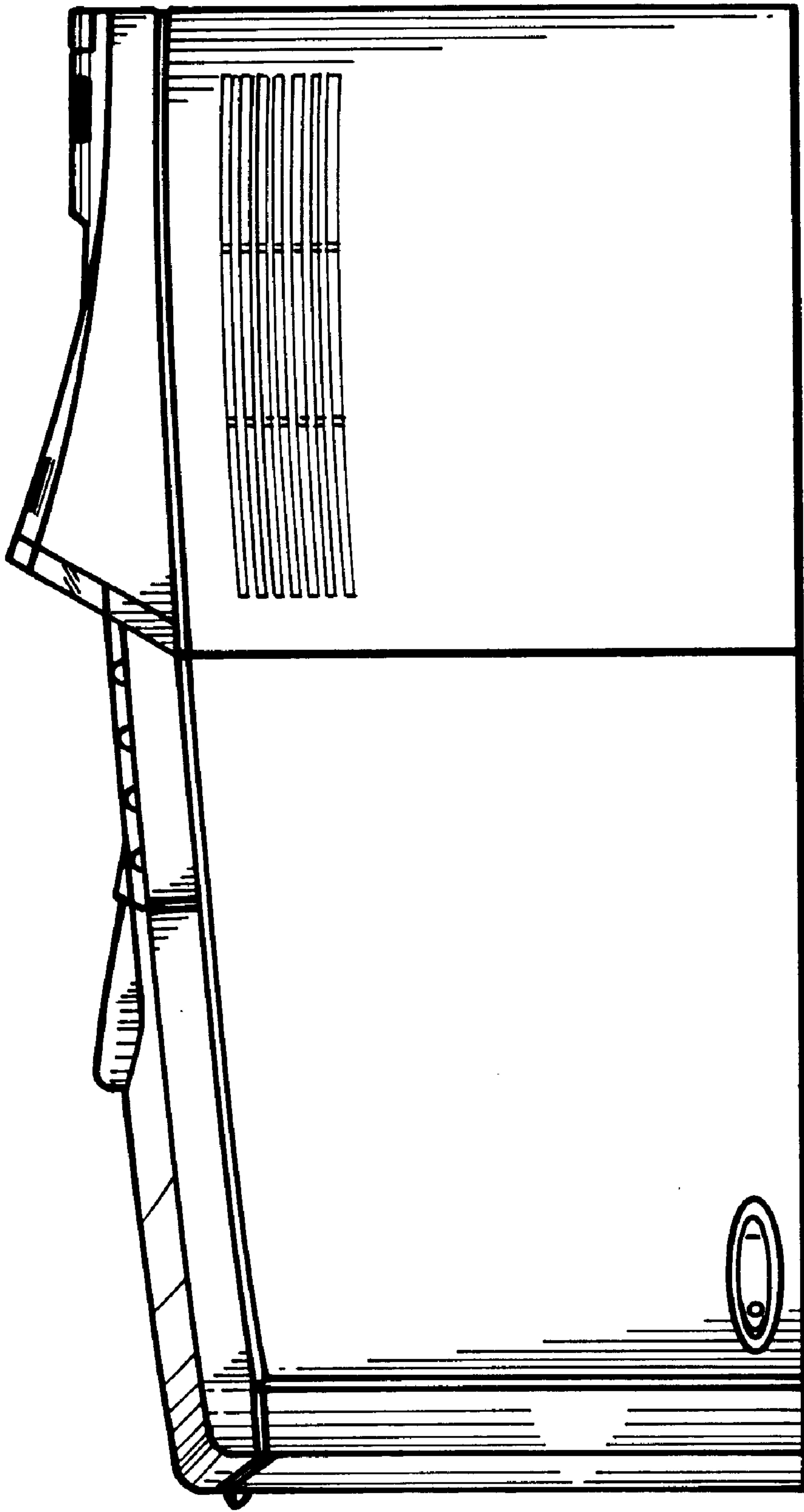


FIG. 3

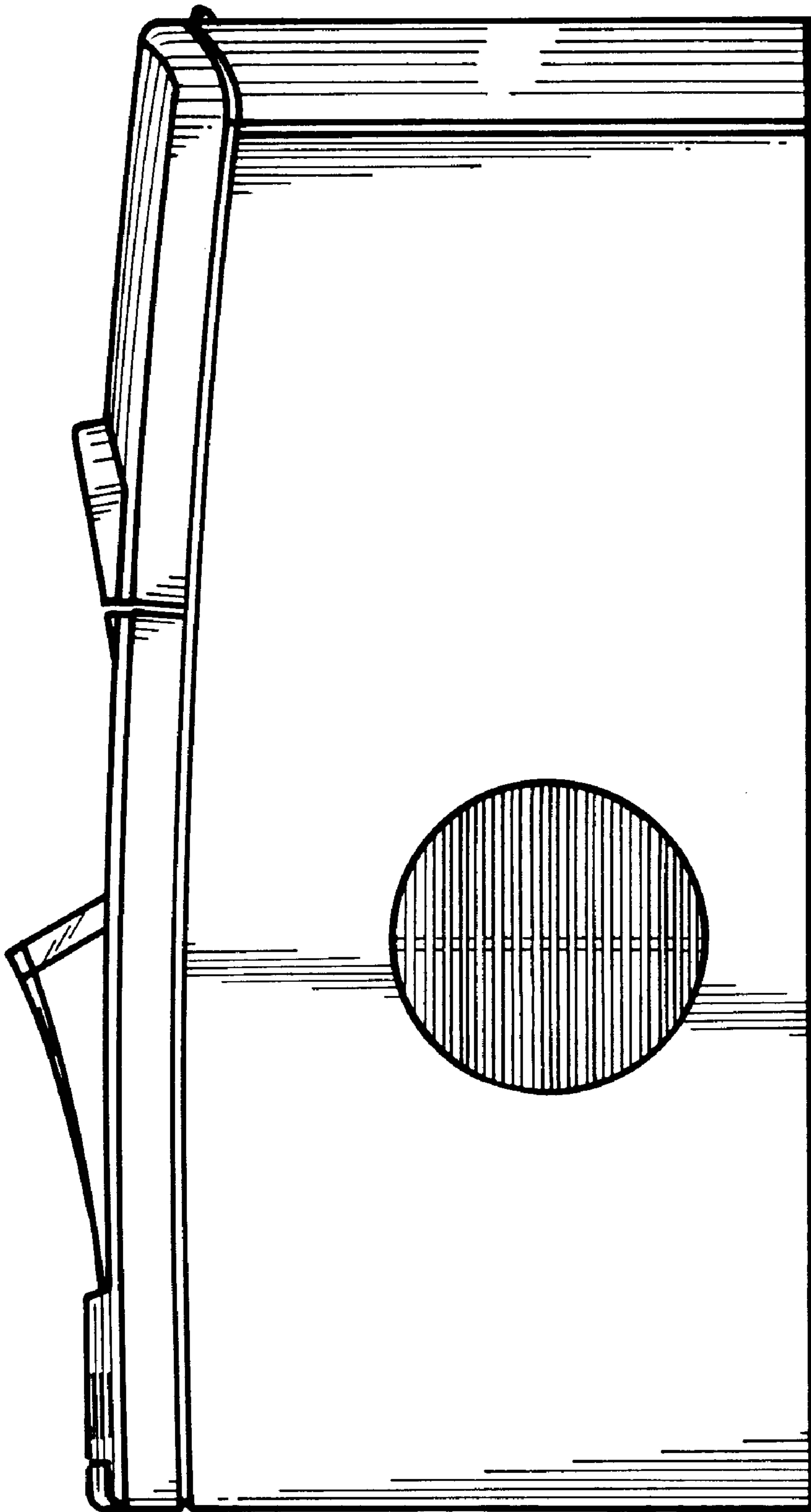


FIG. 4

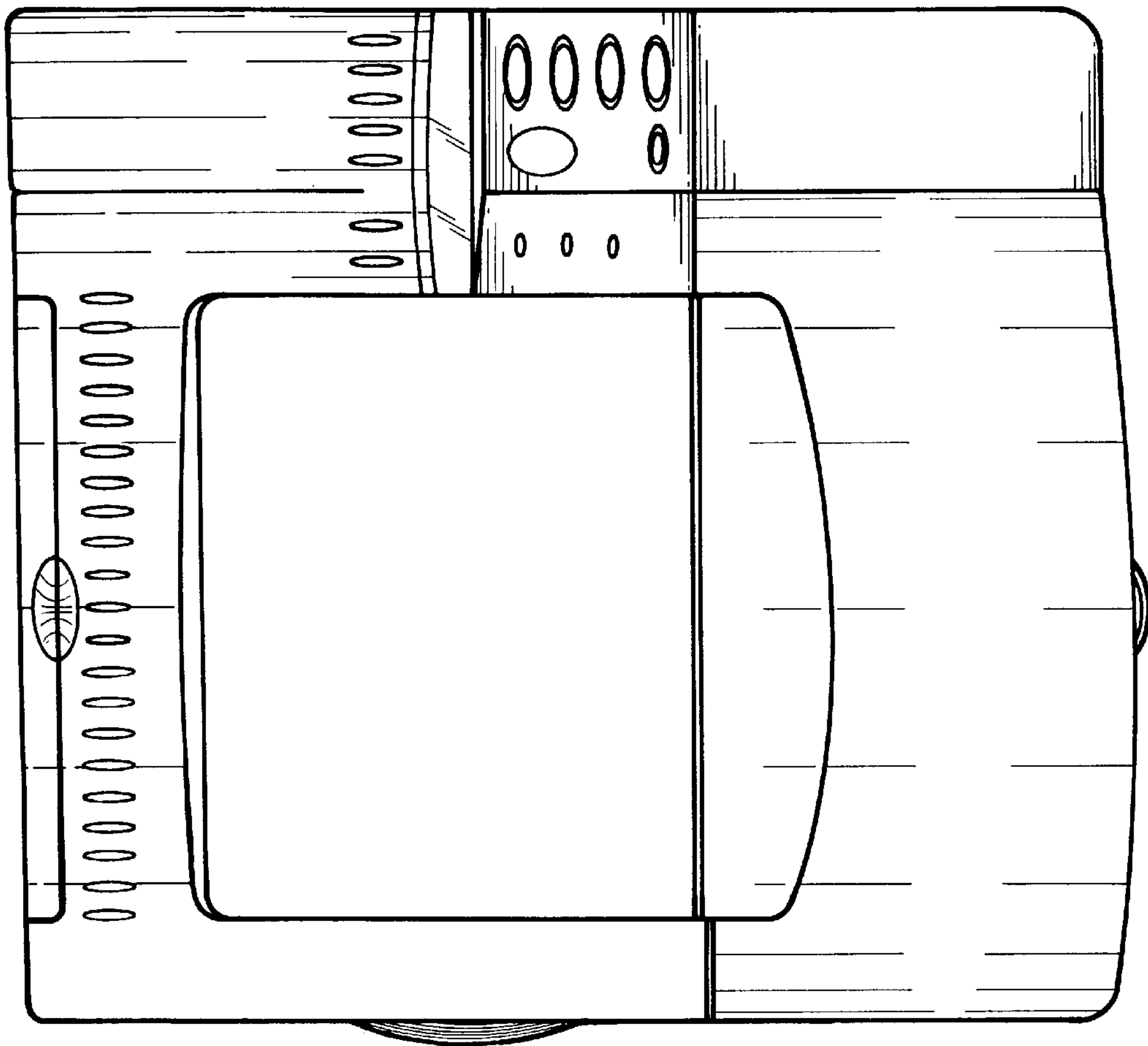


FIG. 5