



US00D412932S

# United States Patent [19]

Okada

[11] **Patent Number: Des. 412,932**

[45] **Date of Patent: \*\* Aug. 17, 1999**

[54] **TONER SUPPLYING CARTRIDGE FOR AN IMAGE FORMING APPARATUS**

D. 366,277 1/1996 Kawamura ..... D18/43  
D. 379,829 6/1997 Hayashi ..... D18/56

[75] Inventor: **Mitsuharu Okada**, Osaka, Japan

[73] Assignee: **Mita Industrial Co., Ltd.**, Osaka, Japan

[\*\*] Term: **14 Years**

*Primary Examiner*—Caron D. Veynar  
*Attorney, Agent, or Firm*—Smith, Gambrell & Russell; Beveridge, DeGrandi, Weilacher & Young Intellectual Property Group

[21] Appl. No.: **29/089,236**

[22] Filed: **Jun. 10, 1998**

[57] **CLAIM**

The ornamental design for a toner supplying cartridge for an image forming apparatus, as shown.

[30] **Foreign Application Priority Data**

Dec. 16, 1997 [JP] Japan ..... 9-78729

**DESCRIPTION**

[51] **LOC (6) Cl.** ..... **16-03**

[52] **U.S. Cl.** ..... **D18/43**

[58] **Field of Search** ..... D18/36, 40, 43, D18/56; 399/24, 25, 27, 28, 31, 111, 119, 120, 130, 222, 224, 252, 254, 255, 262

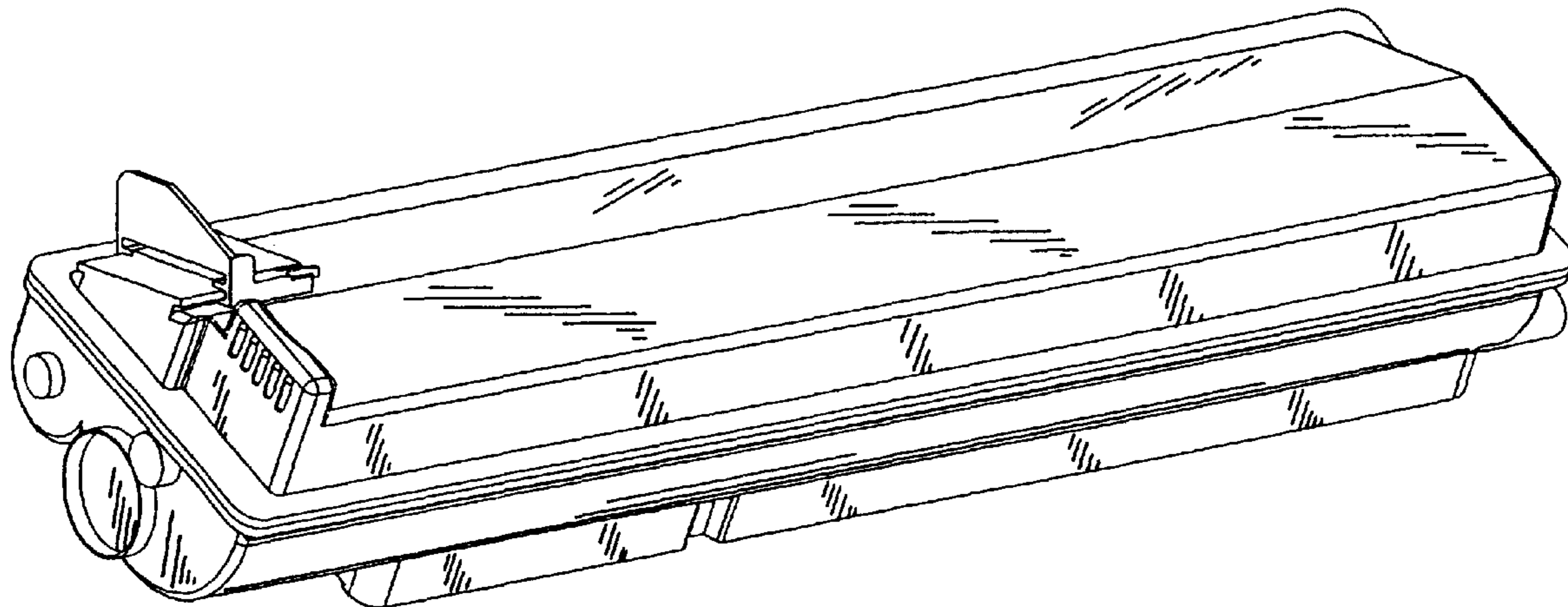
FIG. 1 is a top plan view of a toner supplying cartridge for an image forming apparatus;  
FIG. 2 is a bottom view thereof;  
FIG. 3 is a front elevation view thereof;  
FIG. 4 is a rear elevation view thereof;  
FIG. 5 is a left side view thereof;  
FIG. 6 is a right side view thereof;  
FIG. 7 is a perspective view thereof as viewed from the left-top-front side; and,  
FIG. 8 is a perspective view thereof as viewed from the right-bottom-rear side.

[56] **References Cited**

**U.S. PATENT DOCUMENTS**

D. 332,962 2/1993 Kikuchi et al. .... D18/43

**1 Claim, 3 Drawing Sheets**



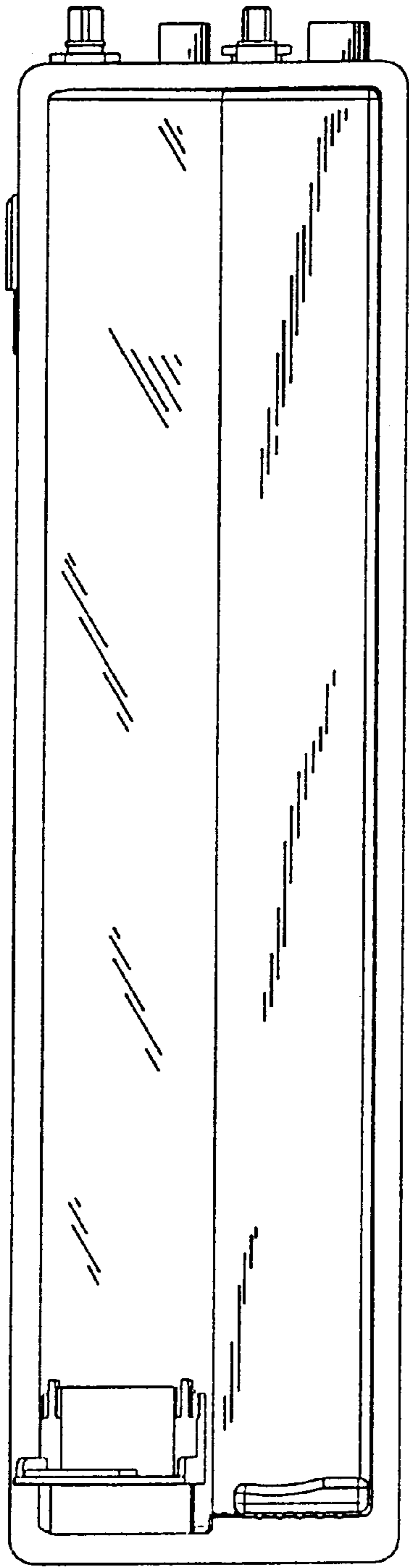


FIG. 1

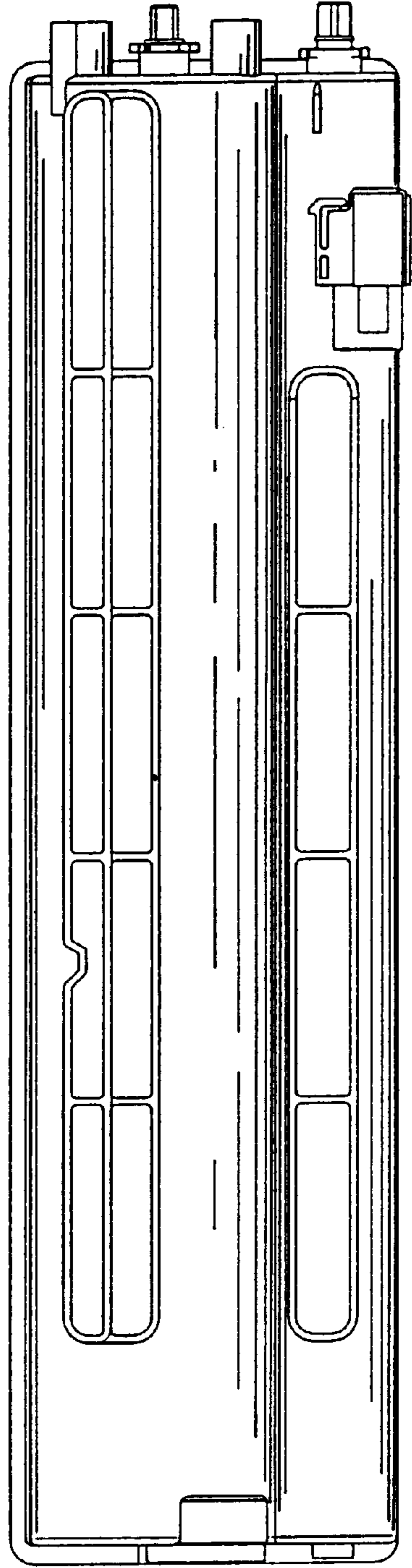


FIG. 2

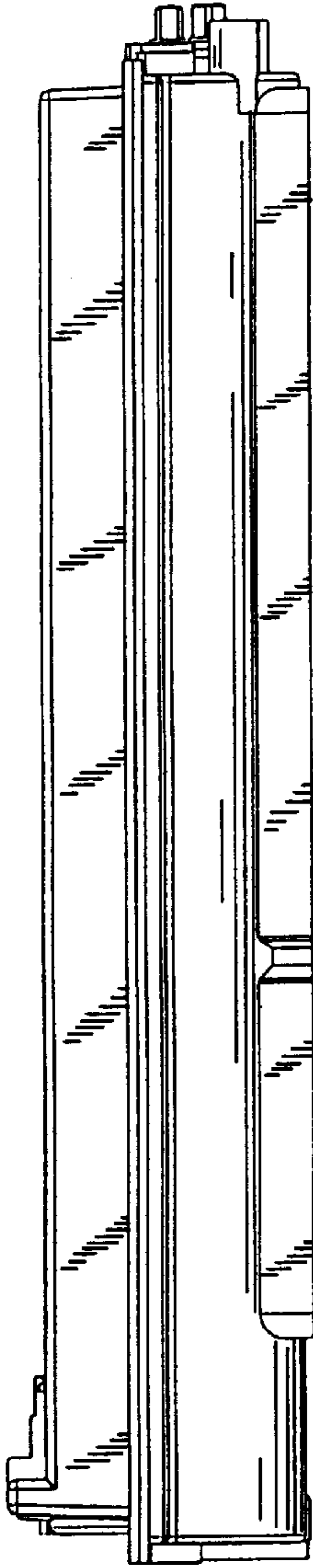


FIG. 3

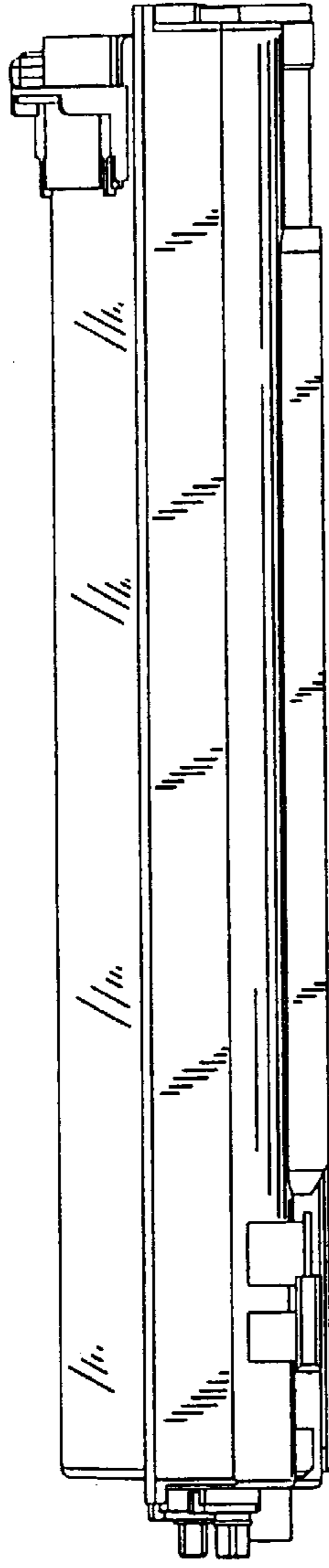


FIG. 4

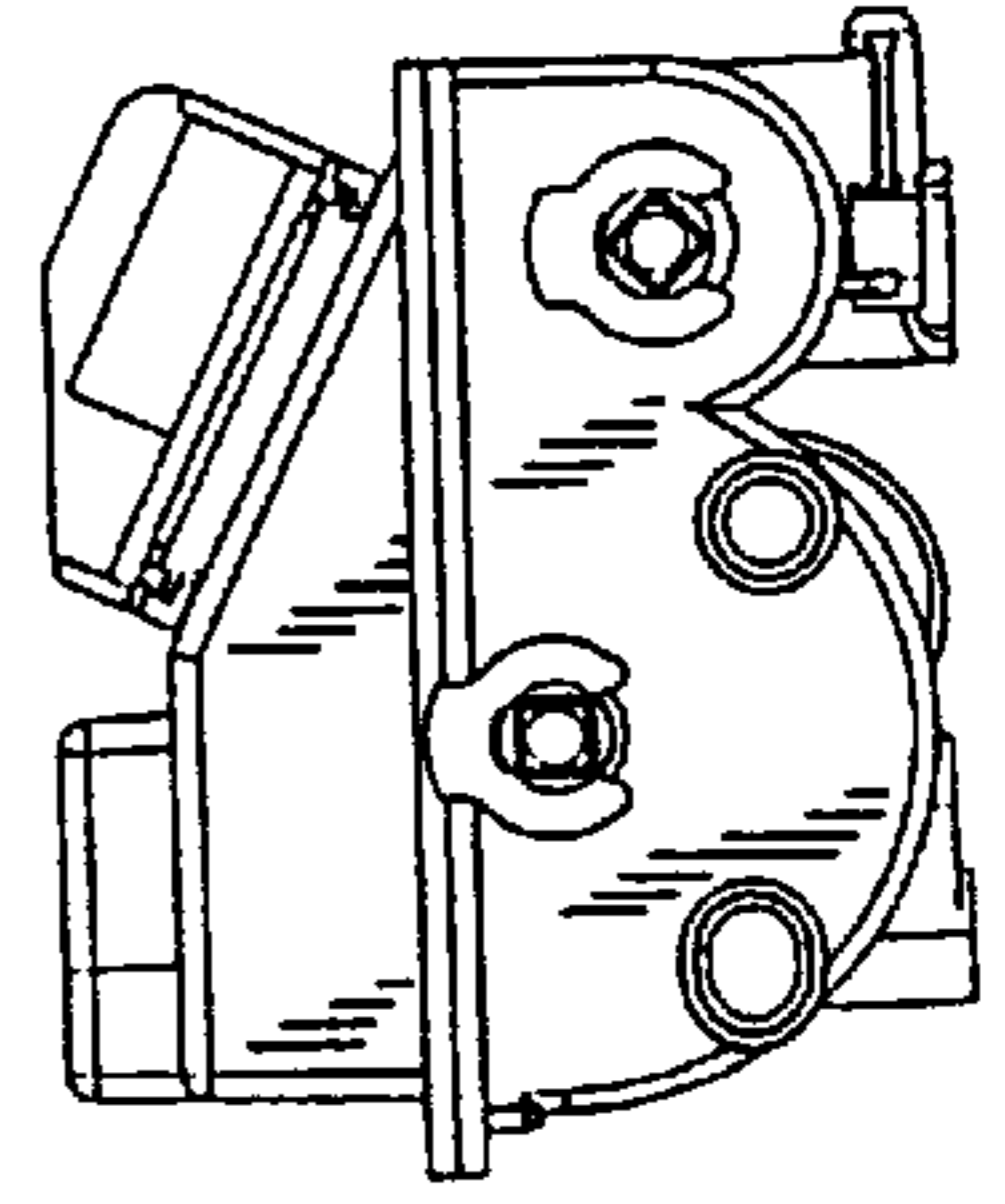


FIG. 6

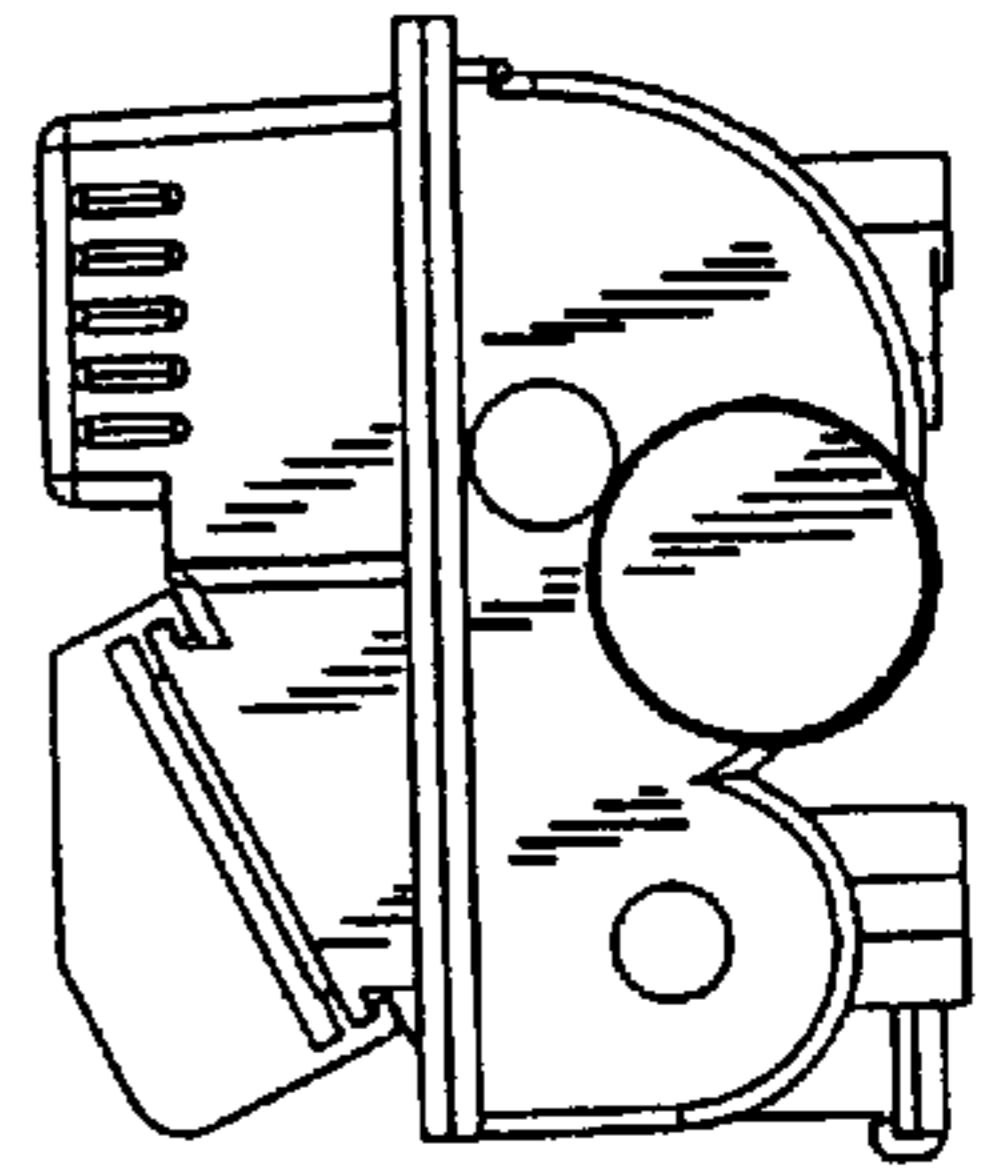


FIG. 5

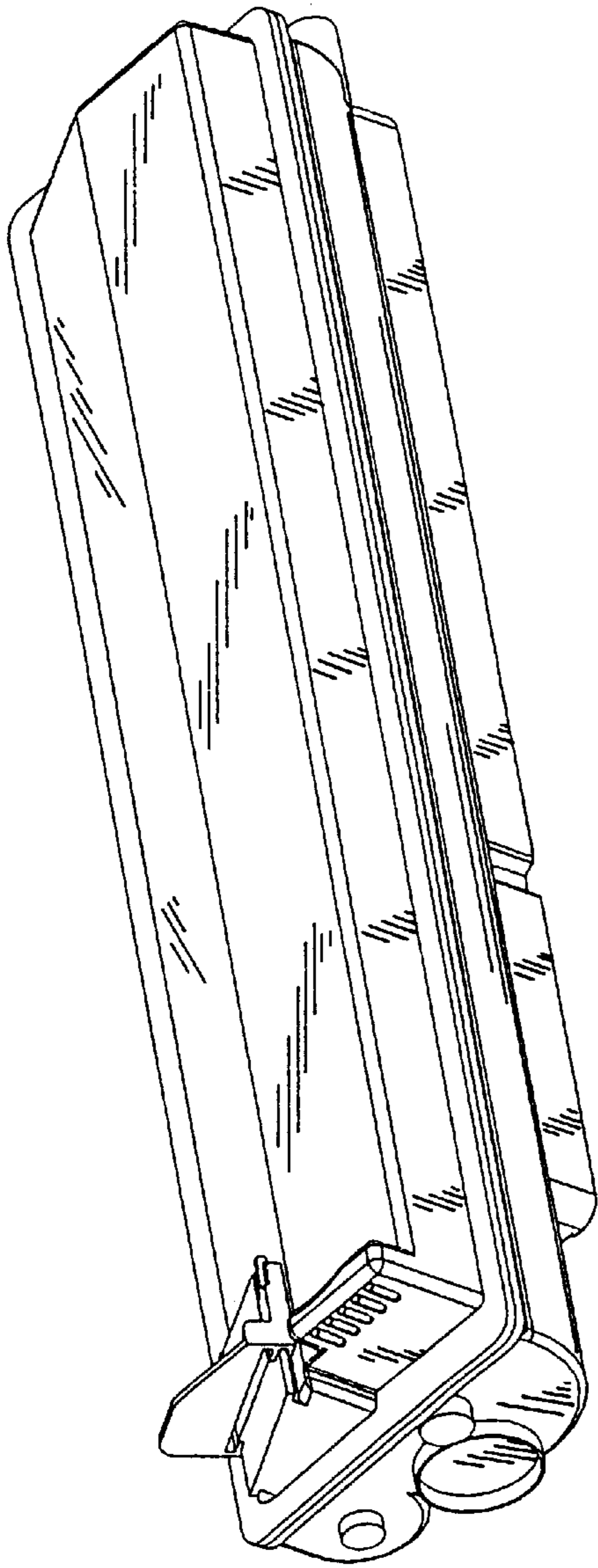


FIG. 7

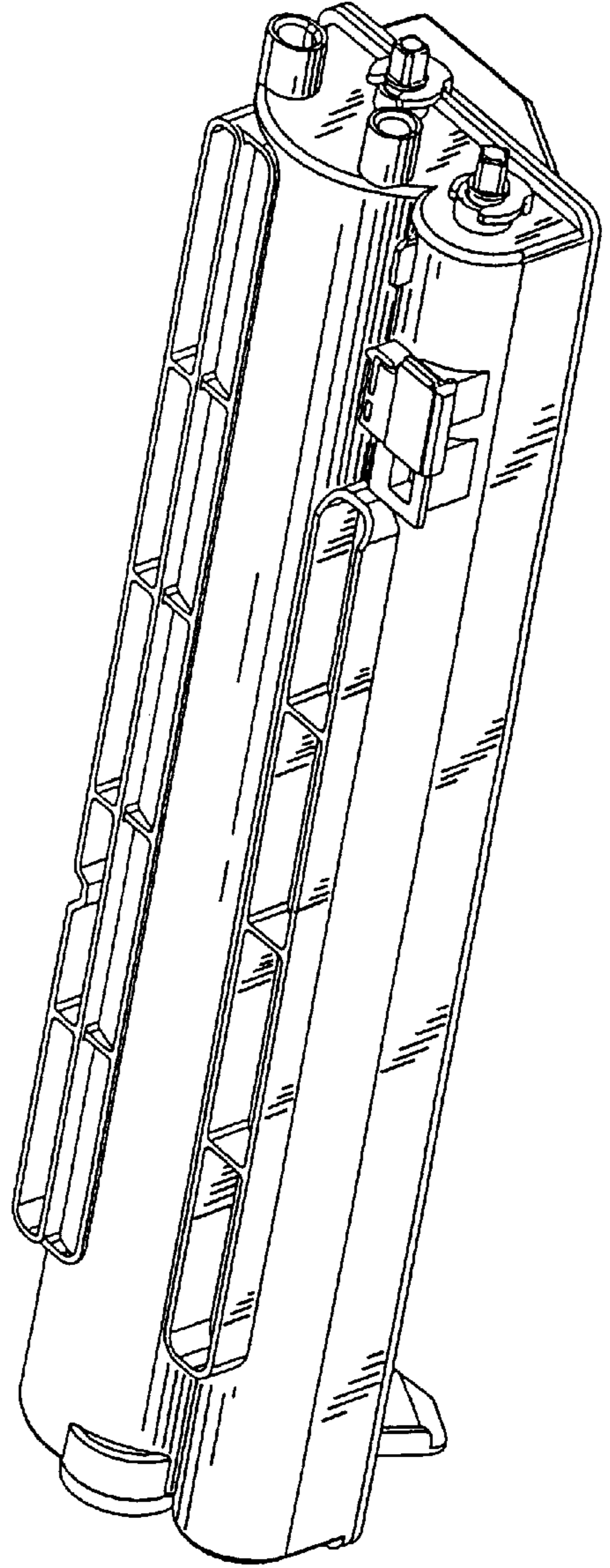


FIG. 8