



US00D412926S

United States Patent [19]

Saeki et al.

[11] Patent Number: Des. 412,926

[45] Date of Patent: ** Aug. 17, 1999

[54] VIDEO PROJECTOR

[75] Inventors: Taisuke Saeki; Harumi Sakamoto;
Kiyomi Usui, all of Tochigi-ken, Japan

[73] Assignee: Sharp Kabushiki Kaisha, Osaka, Japan

[**] Term: 14 Years

[21] Appl. No.: 29/085,259

[22] Filed: Mar. 19, 1998

[30] Foreign Application Priority Data

Sep. 19, 1997 [JP] Japan 9-68368

[51] LOC (6) Cl. 16-02

[52] U.S. Cl. D16/231; D16/221; D16/225

[58] Field of Search D16/205, 208,
D16/221, 225, 229, 230, 231, 234; D21/514;
352/34, 242, 243; 353/115, 119, 122

[56] References Cited

U.S. PATENT DOCUMENTS

- D. 343,850 2/1994 Saeki et al. D16/234
- D. 365,587 12/1995 Saeki et al. D16/234
- D. 371,148 6/1996 Kobayashi et al. D16/221
- D. 387,795 12/1997 Sakamoto D16/231
- D. 388,111 12/1997 Iida D16/231

- D. 391,592 3/1998 Sakamoto et al. D16/231
- D. 392,302 3/1998 Oota et al. D16/230
- D. 398,622 9/1998 Saeki et al. D16/231
- D. 401,260 11/1998 Kodama et al. D16/225
- D. 401,261 11/1998 Yamazaki et al. D16/225
- 2,916,964 12/1959 Paulsohn 353/115

OTHER PUBLICATIONS

Sanyo Catalog, Cover page [LP-XG70 (H)], Aug. 1997.

Primary Examiner—Adir Aronovich
Attorney, Agent, or Firm—Nixon & Vanderhye

[57] CLAIM

The ornamental design for a video projector, as shown and described.

DESCRIPTION

FIG. 1 is a top, front and left side perspective view of a video projector according to our design;
FIG. 2 is a top plan view thereof;
FIG. 3 is a front elevational view thereof;
FIG. 4 is a right side elevational view thereof;
FIG. 5 is a rear elevational view thereof;
FIG. 6 is a right side elevational view thereof; and,
FIG. 7 is a bottom plan view thereof.

1 Claim, 5 Drawing Sheets

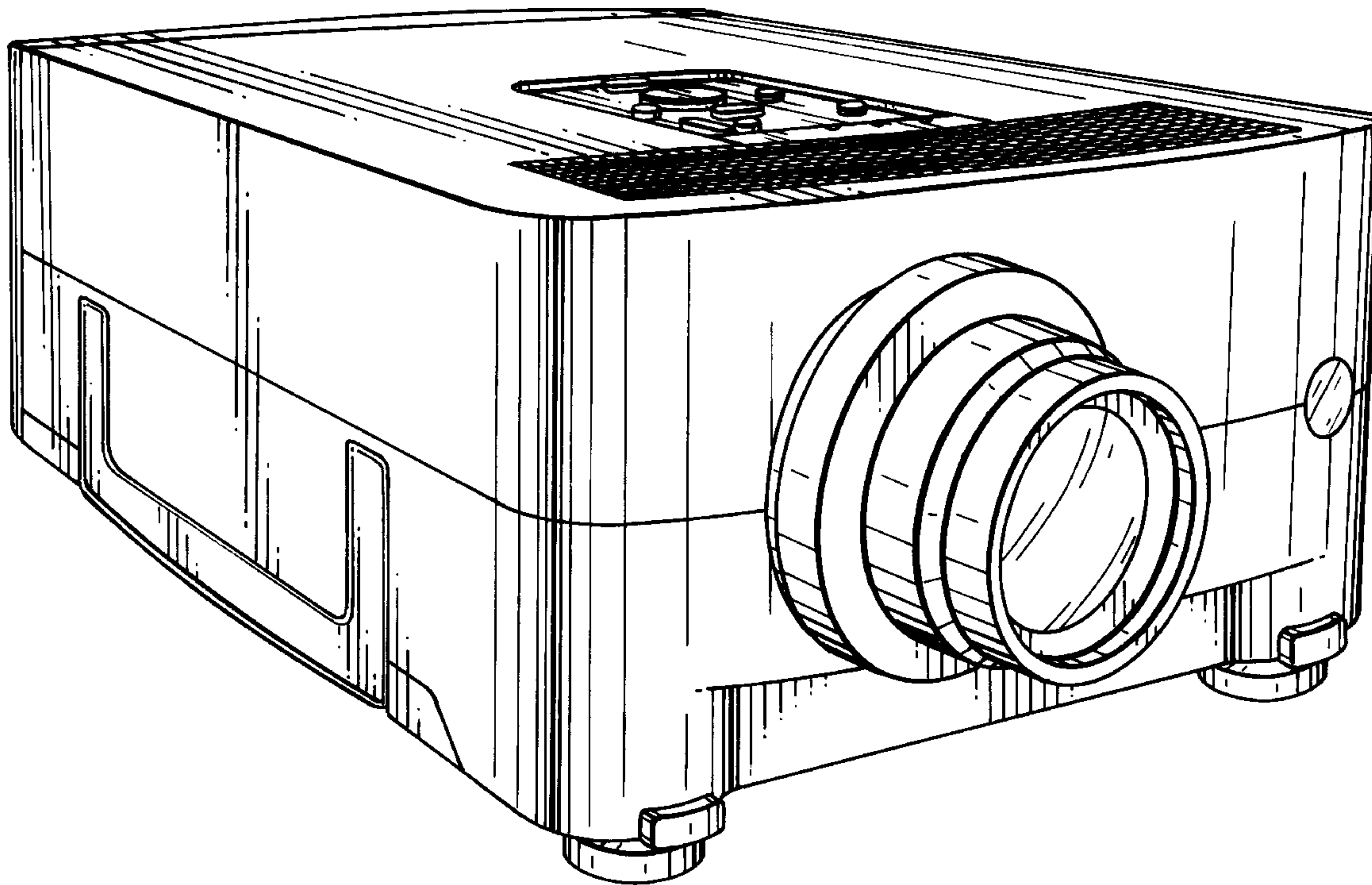


FIG. 1

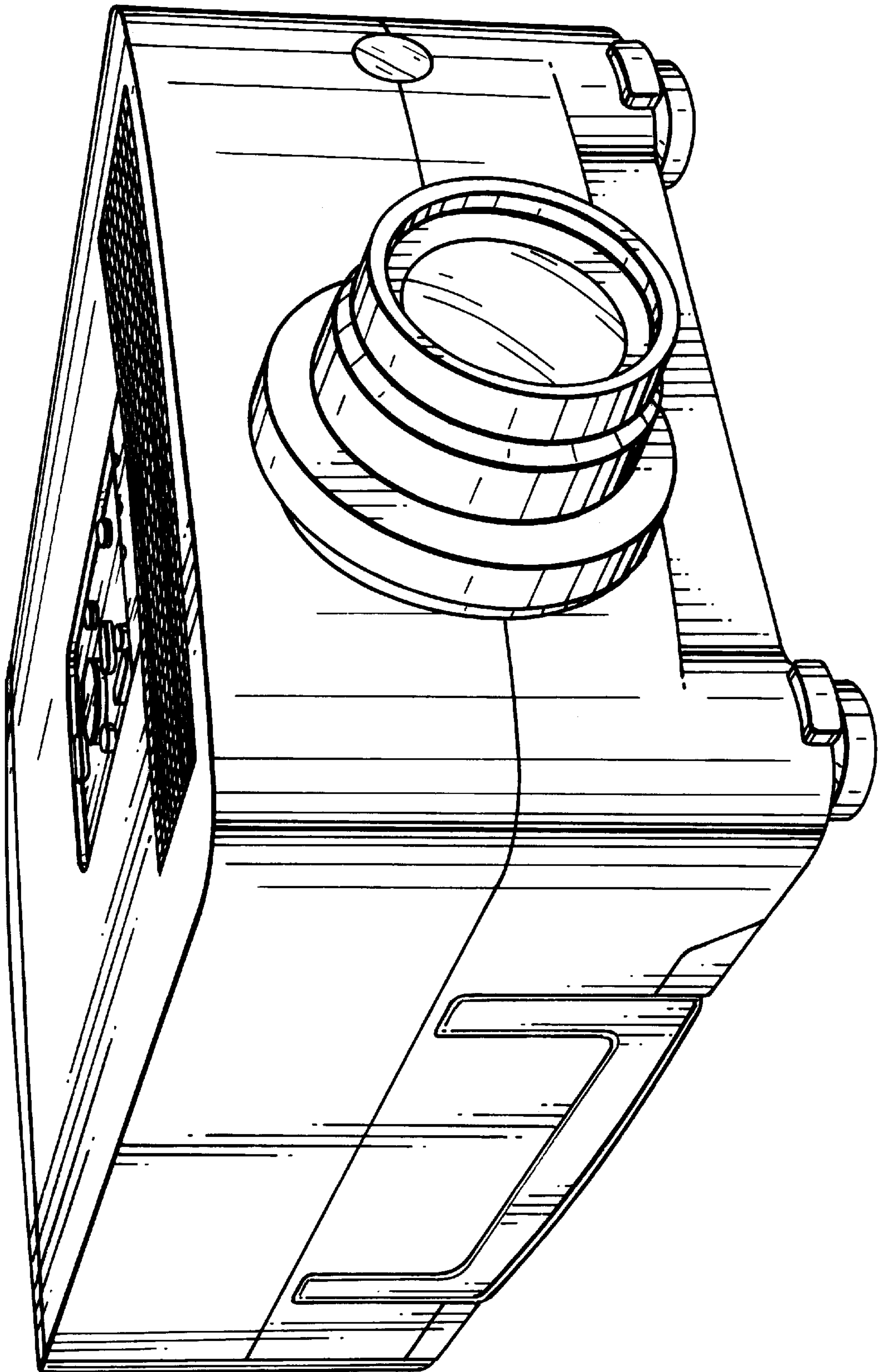
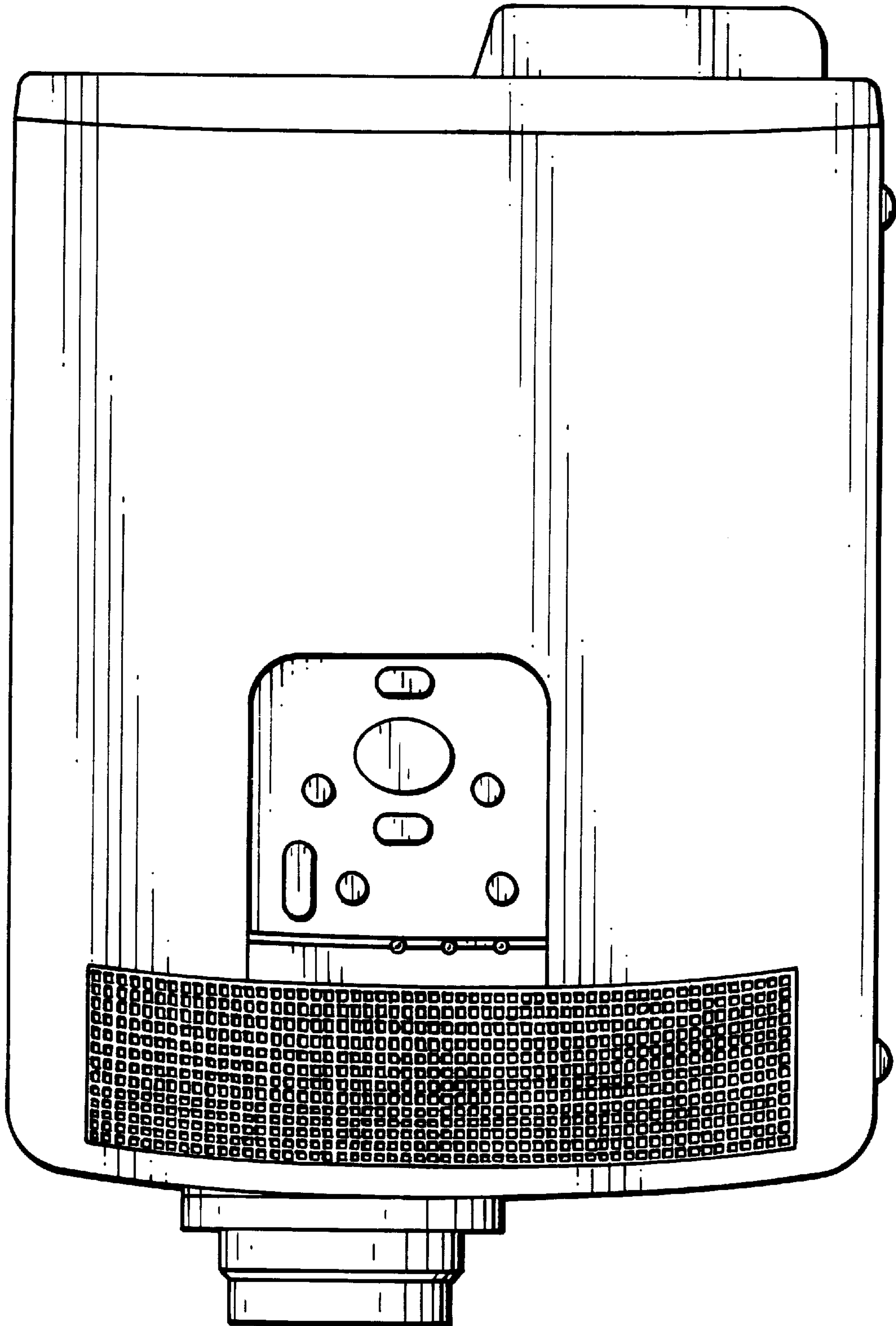


FIG. 2



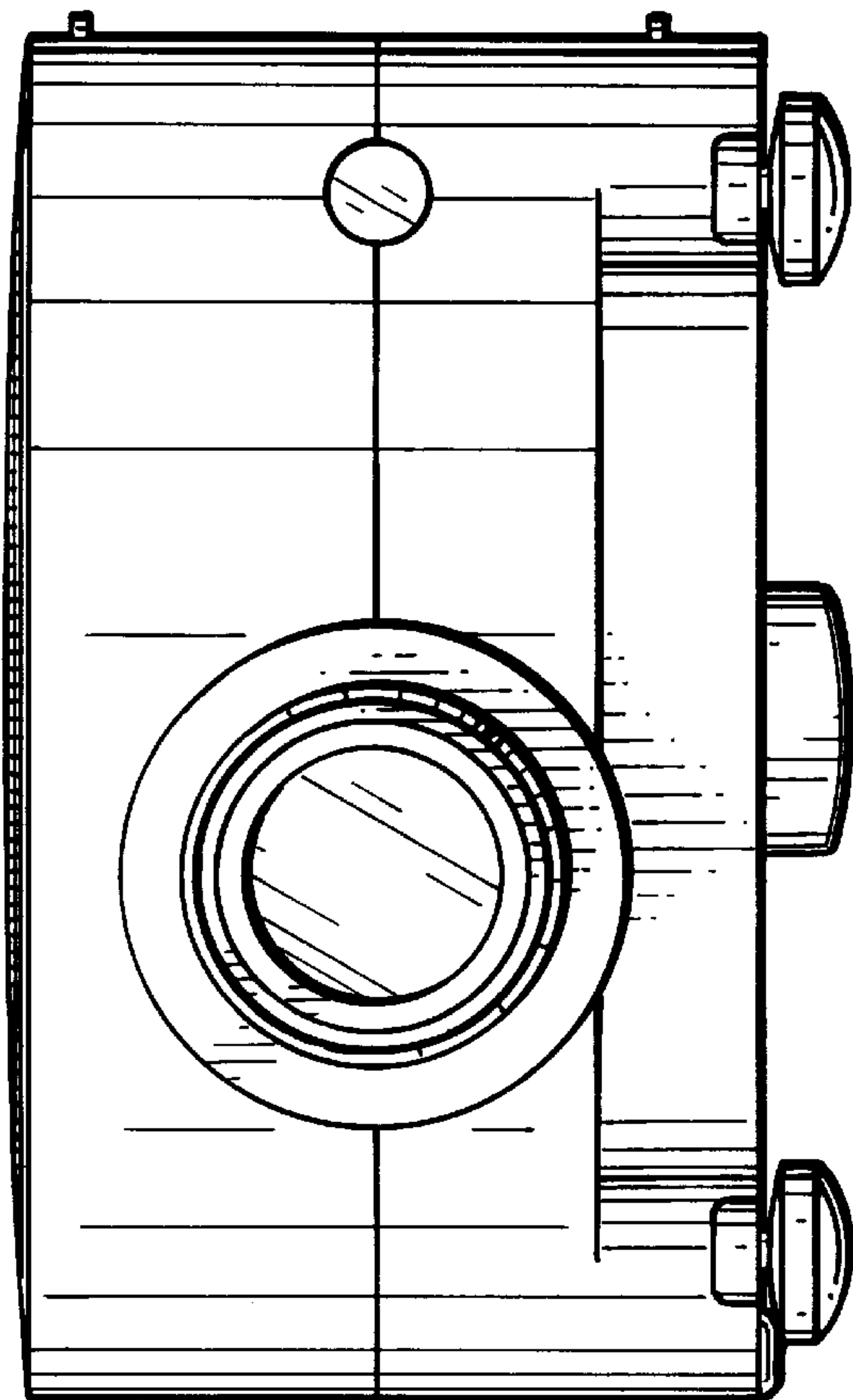


FIG. 3

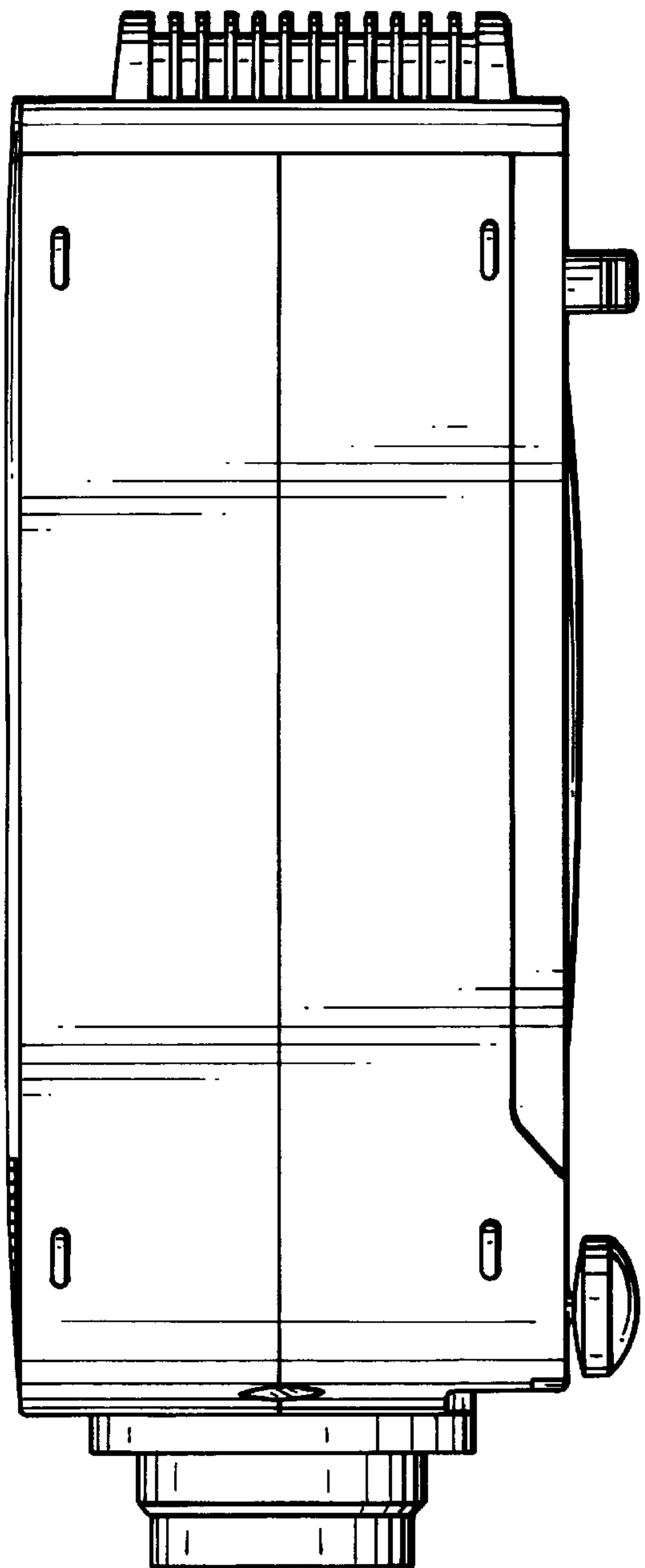


FIG. 4

FIG. 5

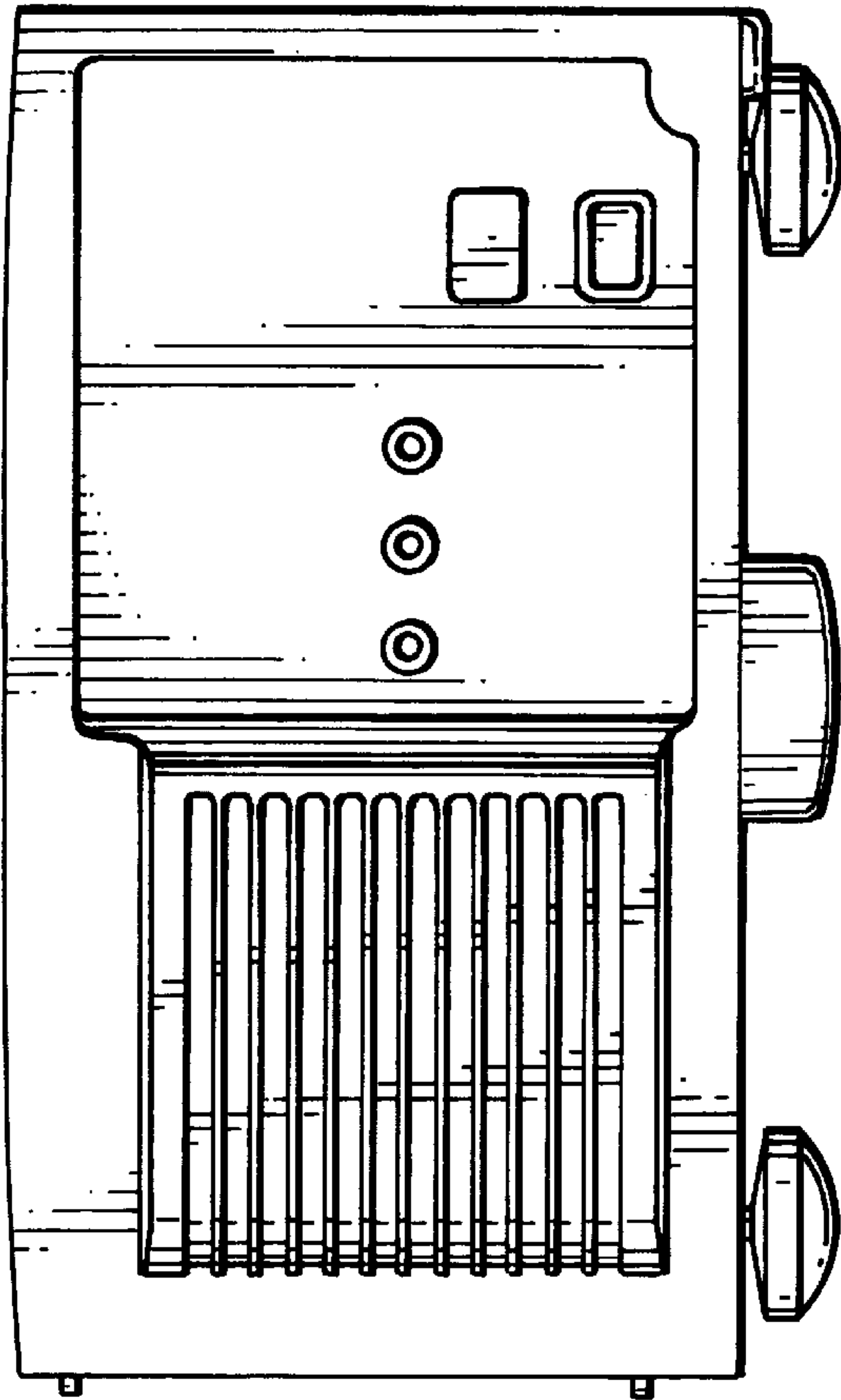


FIG. 6

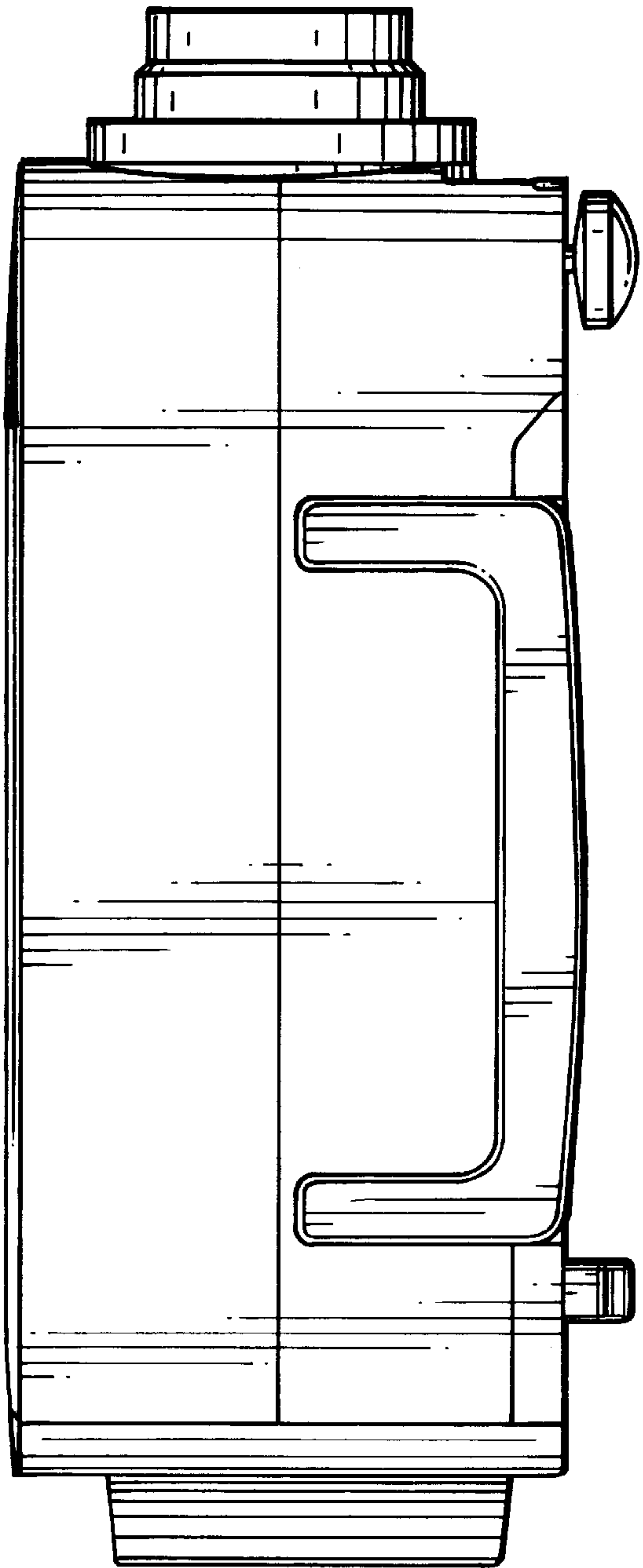


FIG. 7

