



US00D412925S

United States Patent [19]

Tashiro

[11] **Patent Number: Des. 412,925**

[45] **Date of Patent: ** Aug. 17, 1999**

[54] **FINDER FOR VIDEO CAMERA**

[75] Inventor: **Naoki Tashiro**, Kawasaki, Japan

[73] Assignee: **Canon Kabushiki Kaisha**, Tokyo, Japan

[**] Term: **14 Years**

[21] Appl. No.: **29/091,278**

[22] Filed: **Jul. 27, 1998**

[30] Foreign Application Priority Data

Jan. 30, 1998 [JP] Japan 10-2427

[51] **LOC (6) Cl.** **16-05**

[52] **U.S. Cl.** **D16/220**

[58] **Field of Search** D16/200-205,
D16/219, 220, 237; 348/373-376; 396/373-376,
382, 384, 535-543

[56] References Cited

U.S. PATENT DOCUMENTS

D. 124,236 12/1940 Mihalyi D16/220

D. 124,324 12/1940 Mihalyi D16/220
D. 400,226 10/1998 Tenne D16/220
4,769,665 9/1988 Dagborn 396/541

Primary Examiner—Adir Aronovich
Attorney, Agent, or Firm—Fitzpatrick, Cella, Harper & Scinto

[57] CLAIM

The ornamental design for a finder for video camera, as shown and described.

DESCRIPTION

FIG. 1 is a front view of a finder for video camera showing my new design;
FIG. 2 is a rear view thereof;
FIG. 3 is a top plan view thereof;
FIG. 4 is a bottom plan view thereof;
FIG. 5 is a left side view thereof;
FIG. 6 is a right side view thereof; and,
FIG. 7 is a perspective view thereof.

1 Claim, 4 Drawing Sheets

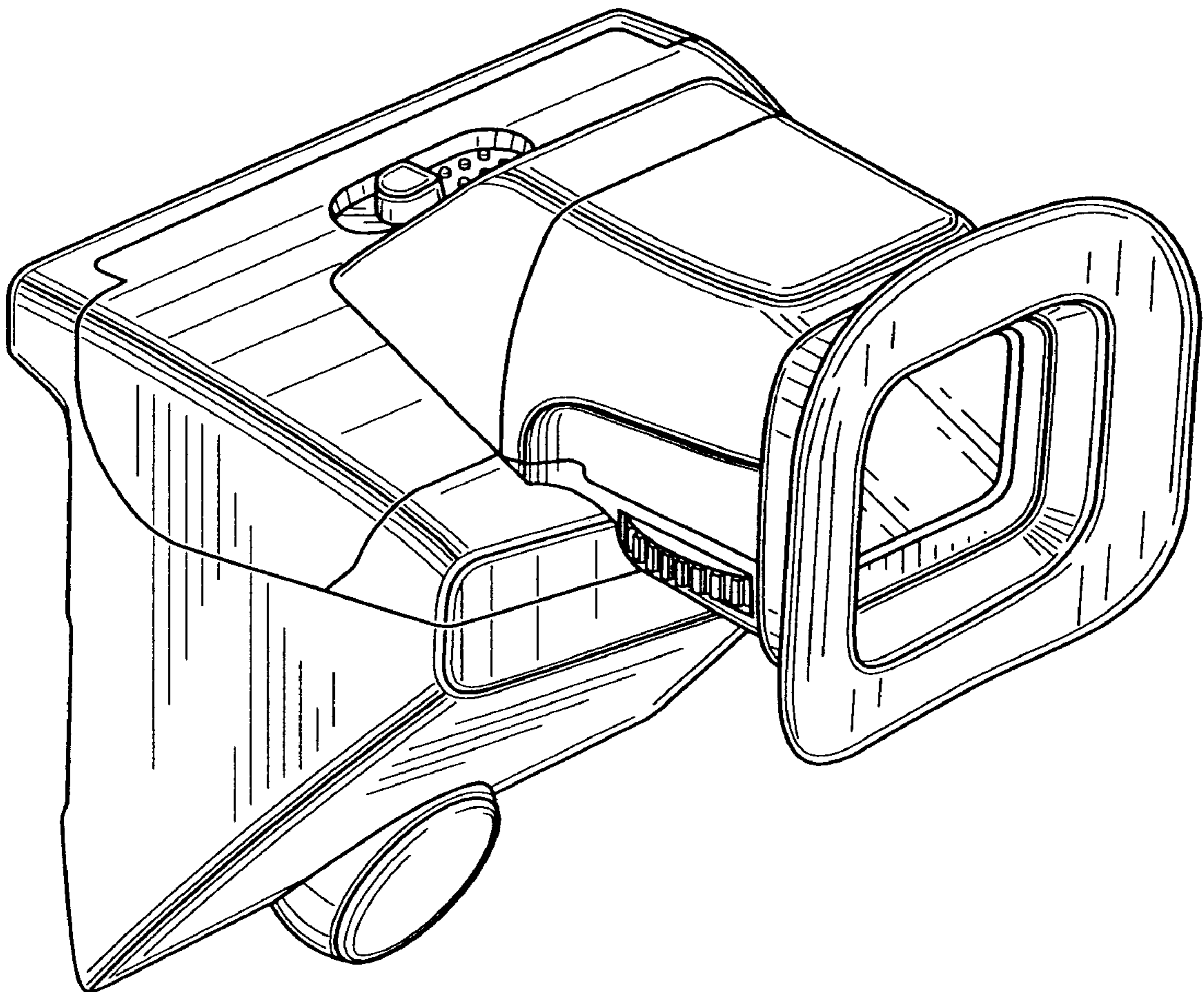


FIG. 1

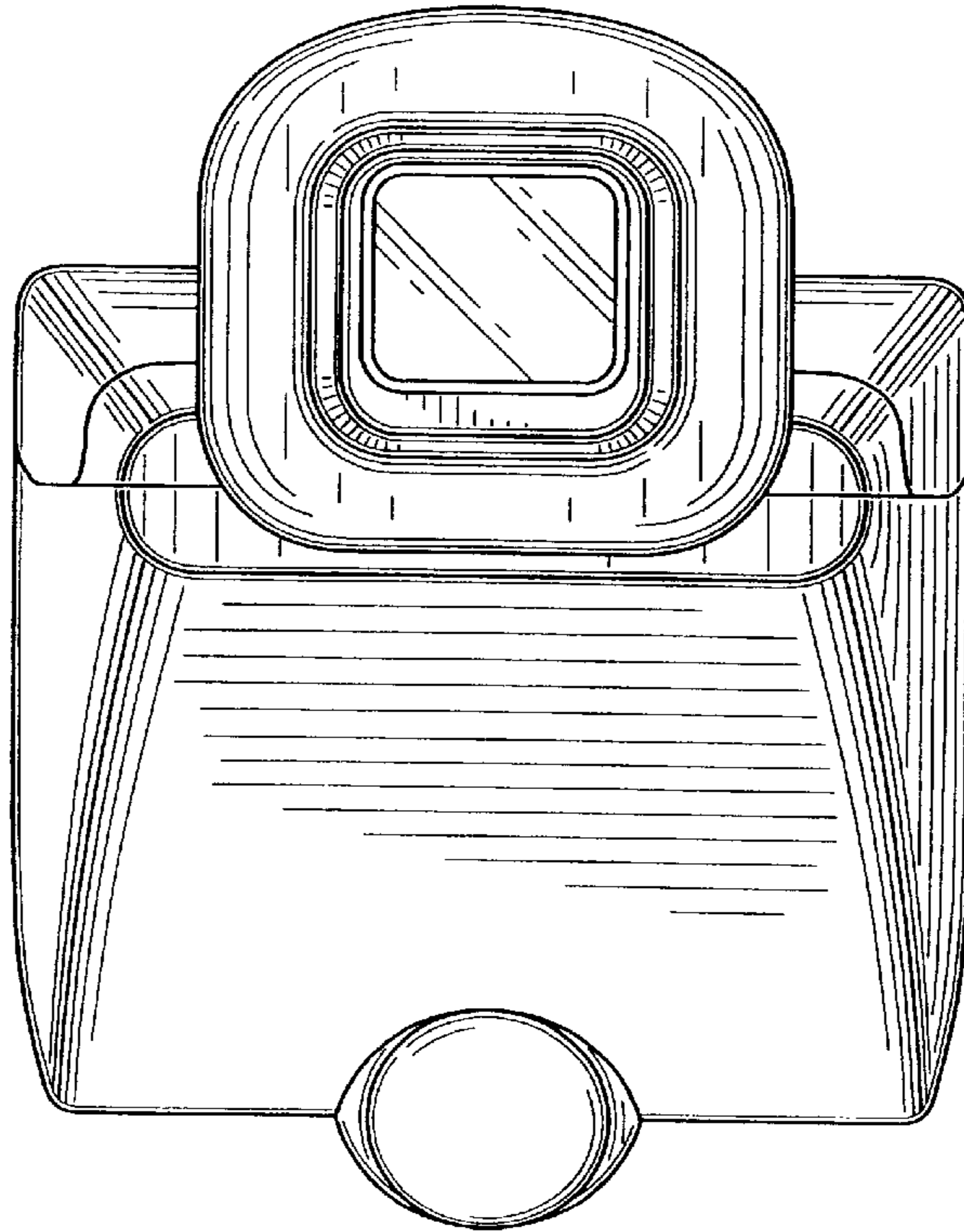


FIG. 2

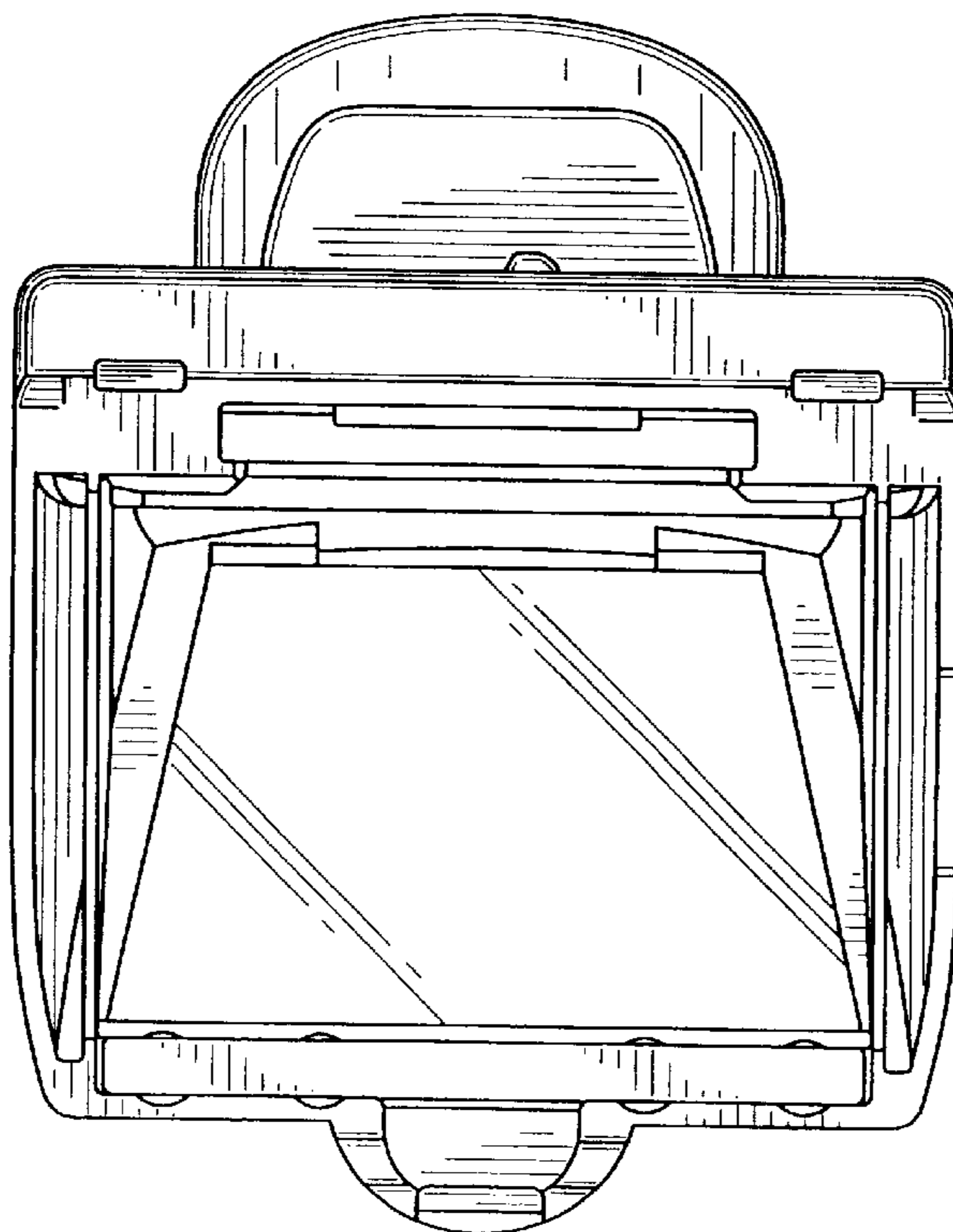


FIG. 3

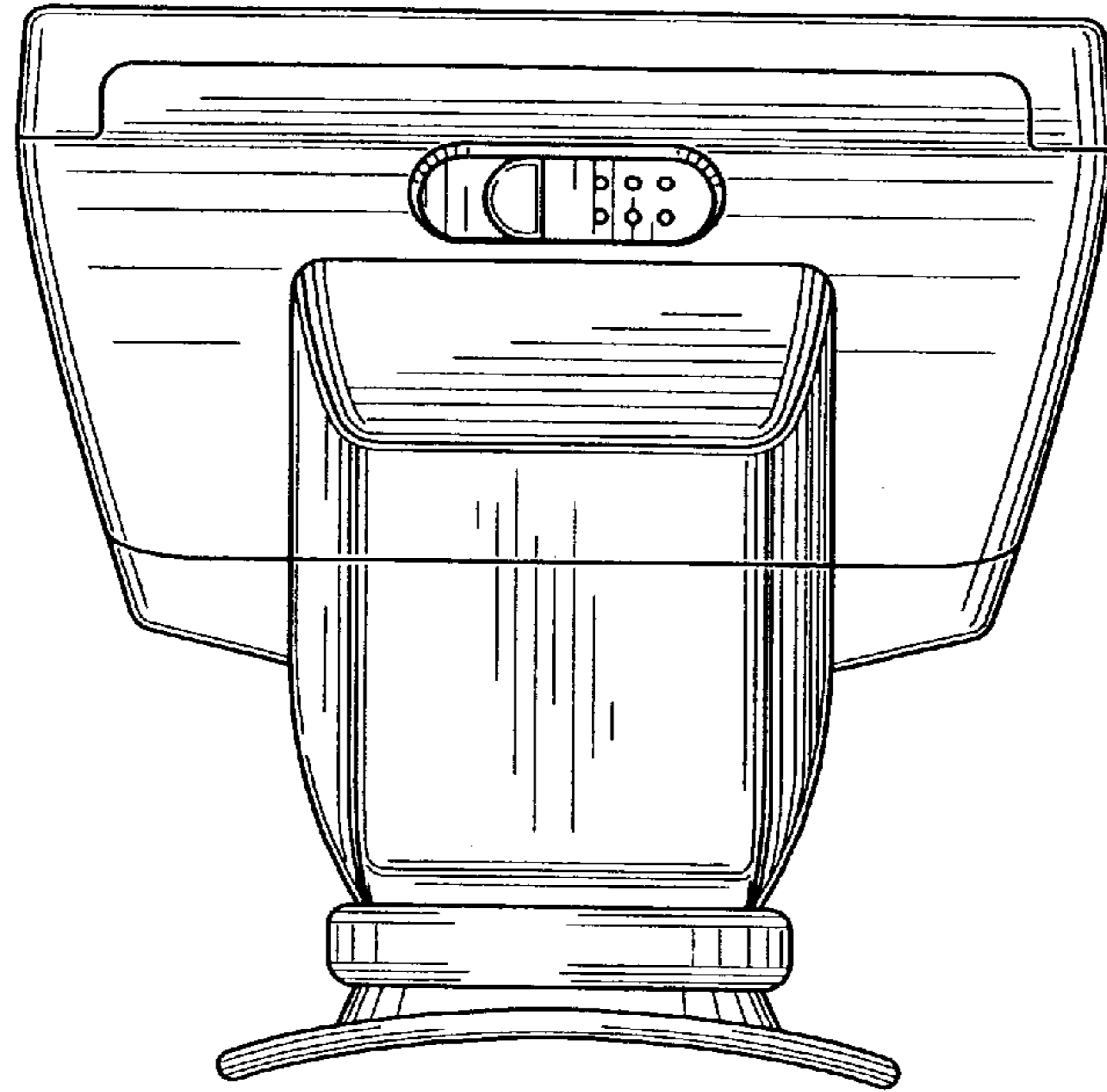


FIG. 4

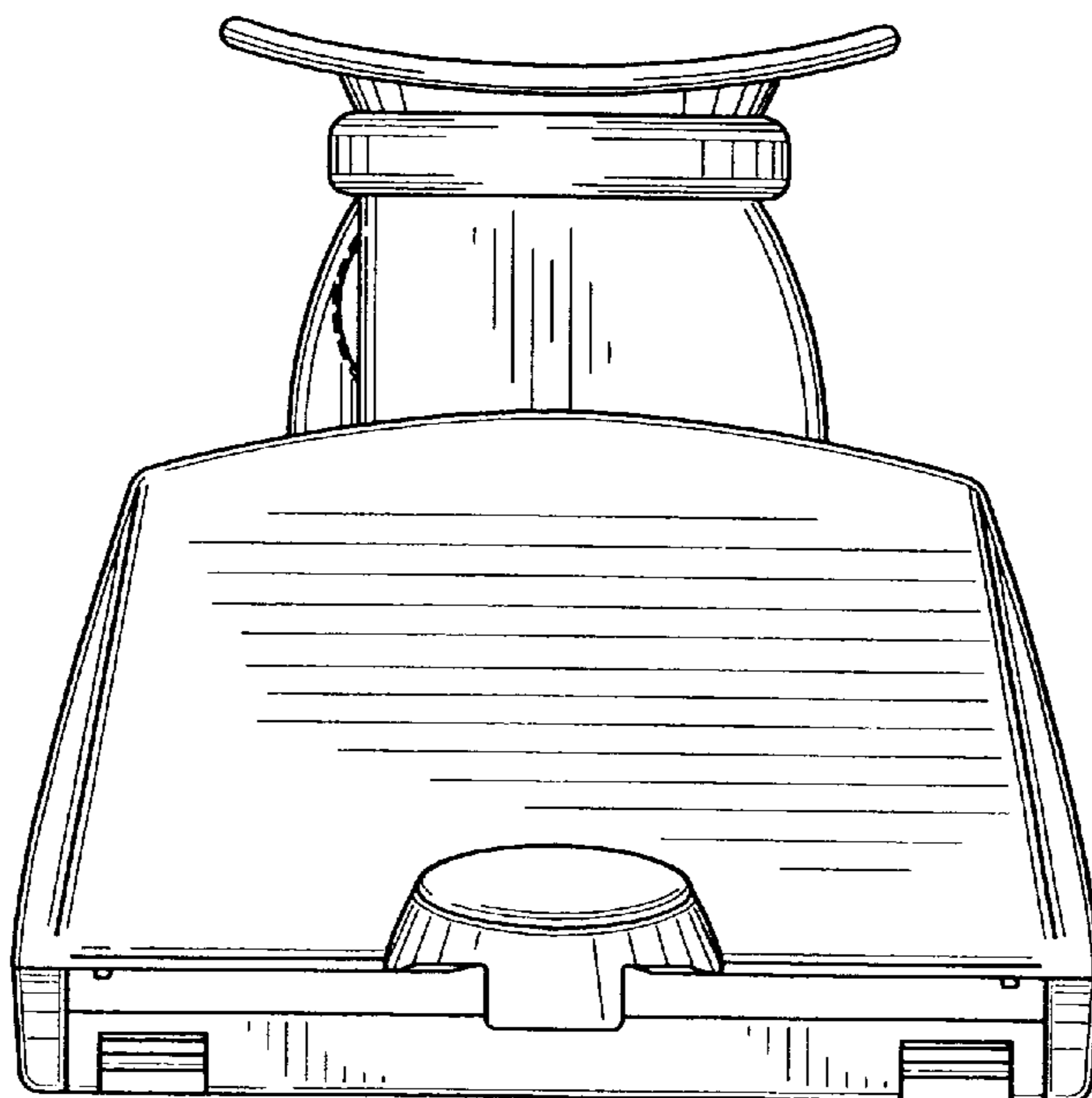


FIG. 5

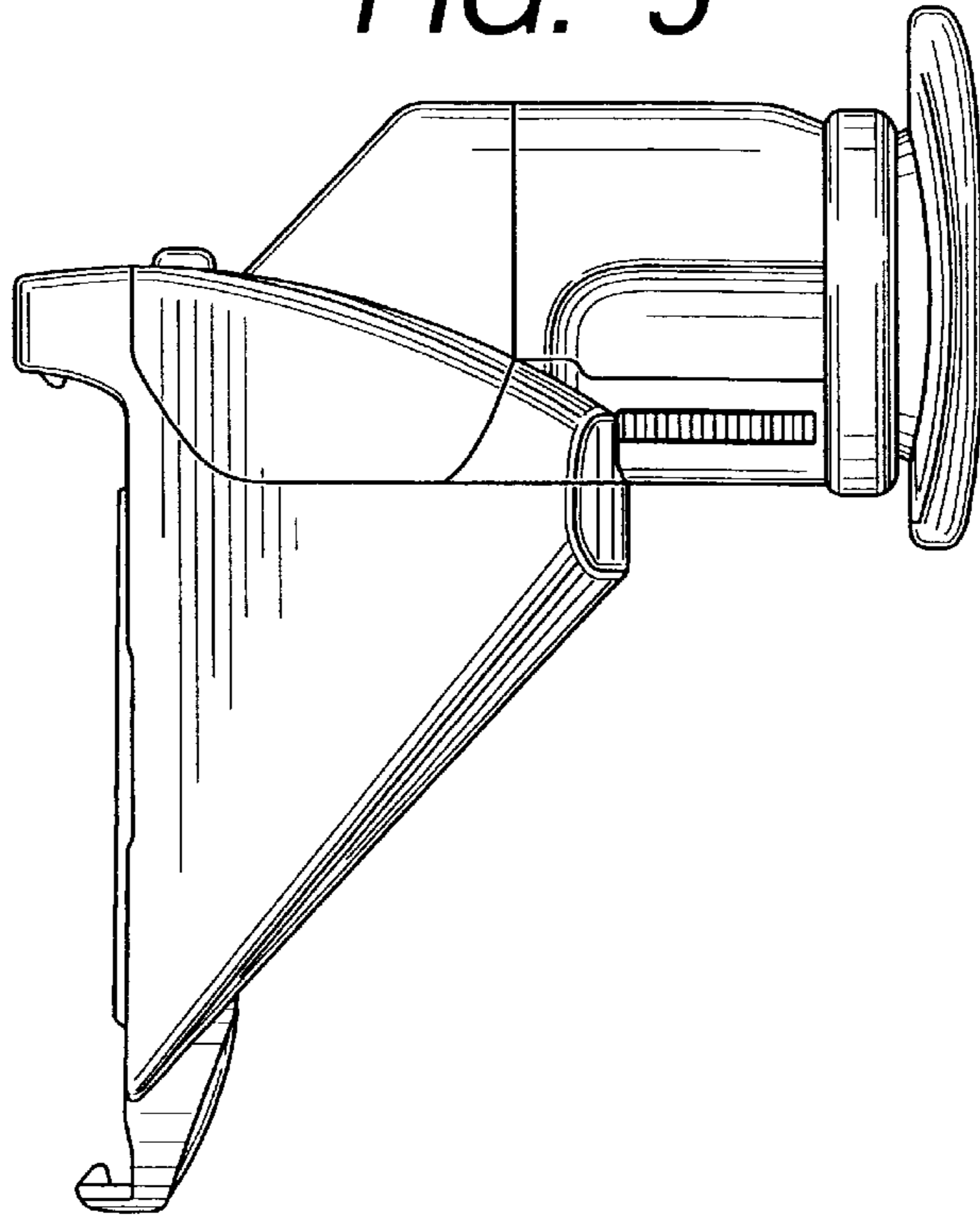


FIG. 6

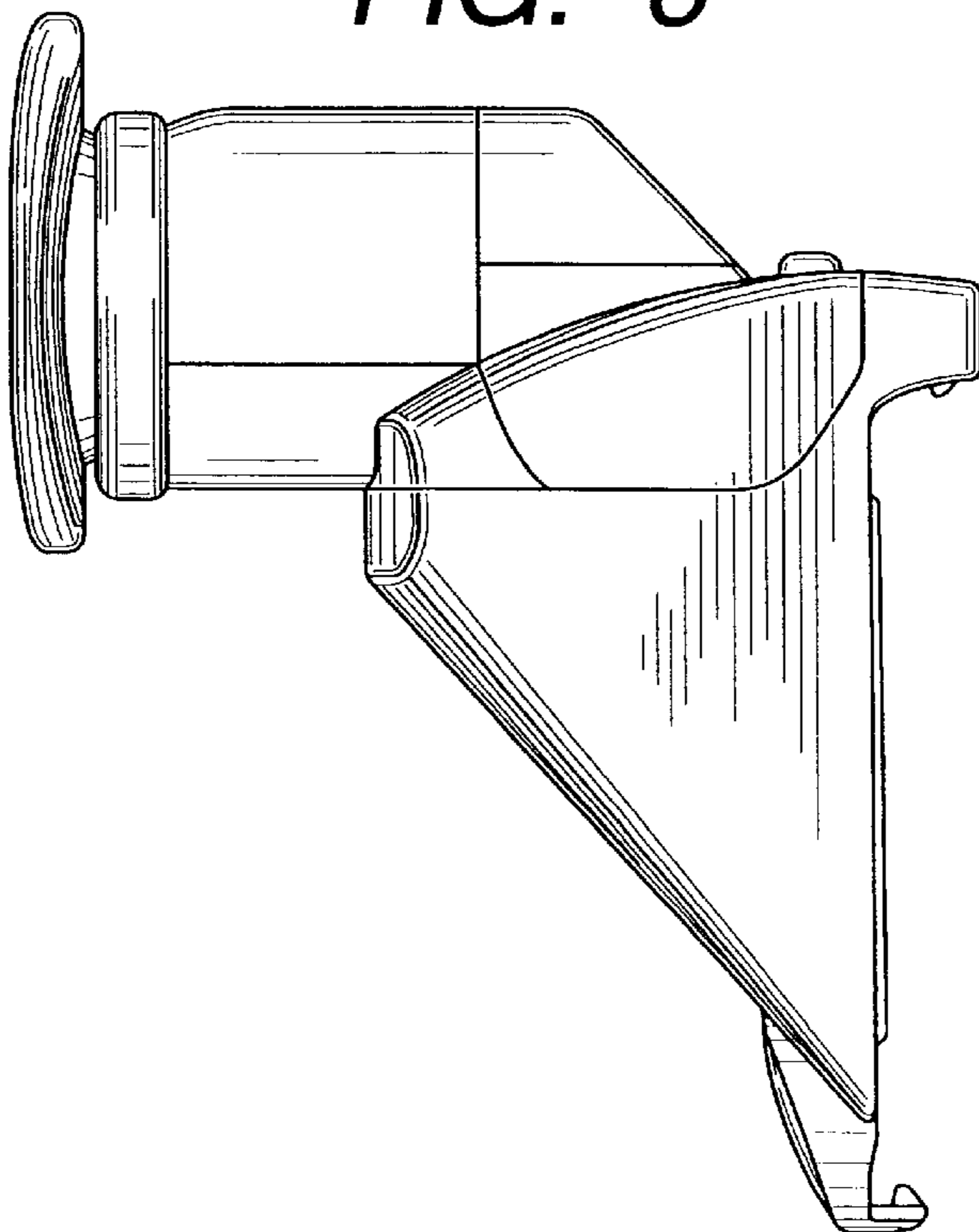


FIG. 7

