



US00D412923S

United States Patent [19] Takaba

[11] **Patent Number: Des. 412,923**

[45] **Date of Patent: ** Aug. 17, 1999**

[54] **CAMERA**

[75] Inventor: **Tetsufumi Takaba**, Hino, Japan

[73] Assignee: **Konica Corporation**, Tokyo, Japan

[**] Term: **14 Years**

[21] Appl. No.: **29/096,235**

[22] Filed: **Nov. 6, 1998**

[30] **Foreign Application Priority Data**

May 19, 1998 [JP] Japan 10-14124

[51] **LOC (6) Cl.** **16-01**

[52] **U.S. Cl.** **D16/218**

[58] **Field of Search** D16/200-205,
D16/208, 209, 216-218; 396/535-543,
448

[56] **References Cited**

U.S. PATENT DOCUMENTS

D. 371,563	7/1996	Chapman et al.	D16/218
D. 382,888	8/1997	Isozaki	D16/208
D. 404,751	1/1999	Takaba	D16/209
4,273,434	6/1981	Maitani et al.	396/448

5,619,295 4/1997 Seya et al. 396/535

OTHER PUBLICATIONS

Camera Sogo Catalog, vol. 108 p. 115, 1994.
Industrial Design, p. 35 (Olympus VX), Mar. 1985.

Primary Examiner—Adir Aronovich
Attorney, Agent, or Firm—Frishauf, Holtz, Goodman,
Langer & Chick

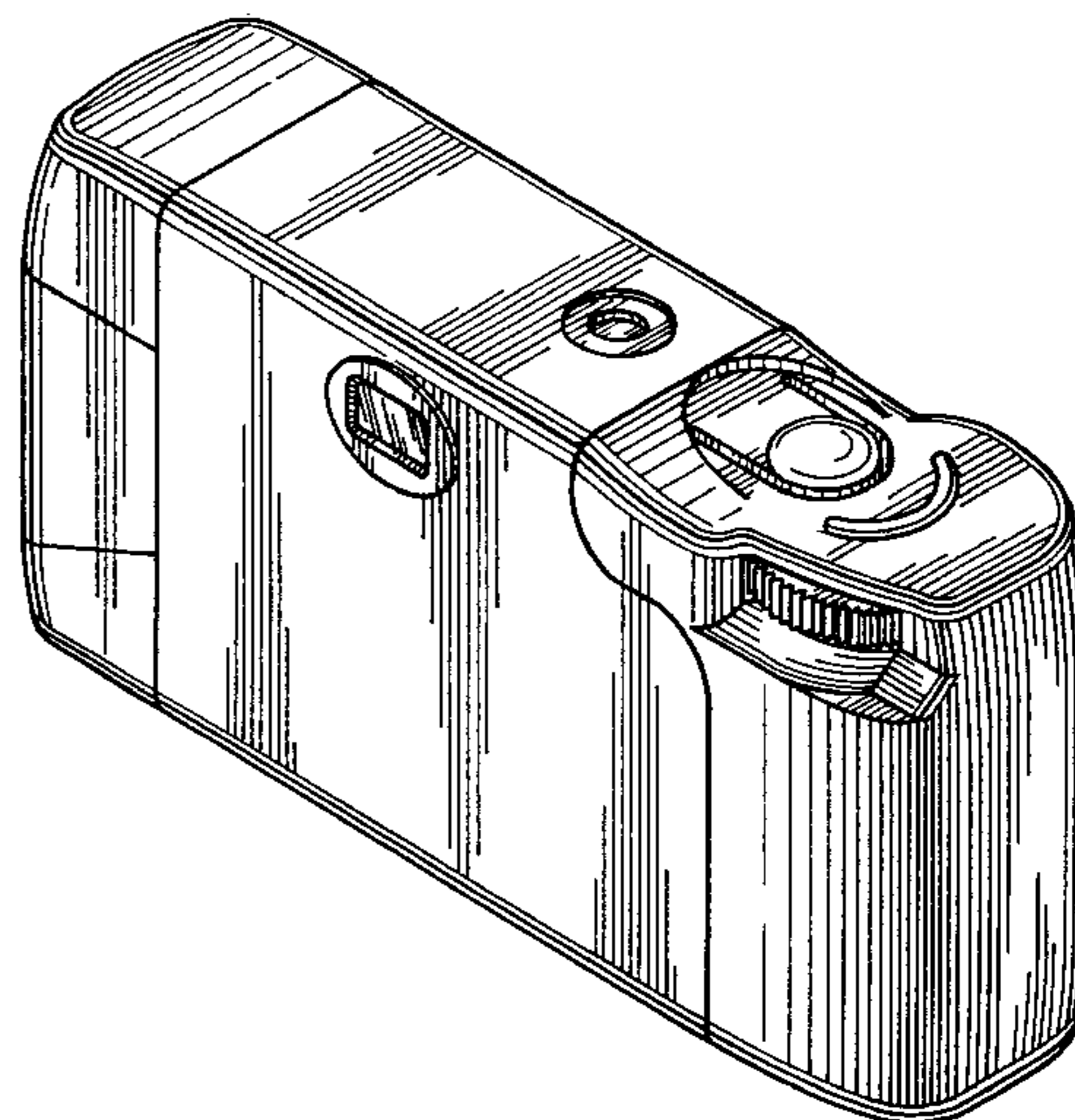
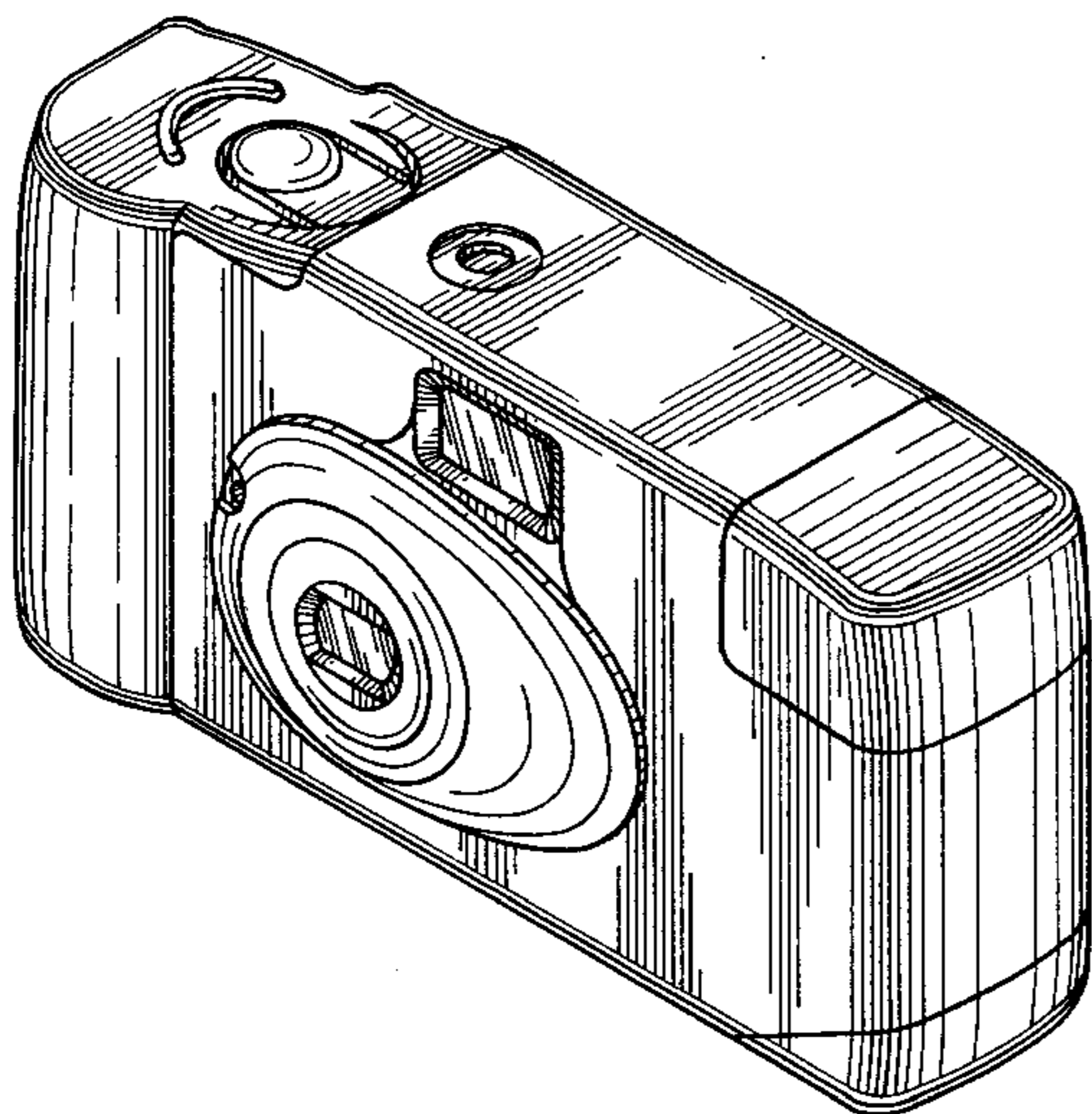
[57] **CLAIM**

The ornamental design for a camera, as shown.

DESCRIPTION

FIG. 1 is a front elevational view of a camera showing my new design;
FIG. 2 is a rear elevational view thereof;
FIG. 3 is a left side view thereof;
FIG. 4 is a right side view thereof;
FIG. 5 is a top plan view thereof;
FIG. 6 is a bottom plan view thereof;
FIG. 7 is a front, right side and top perspective view thereof;
and,
FIG. 8 is a rear, left side and top perspective view thereof.

1 Claim, 2 Drawing Sheets



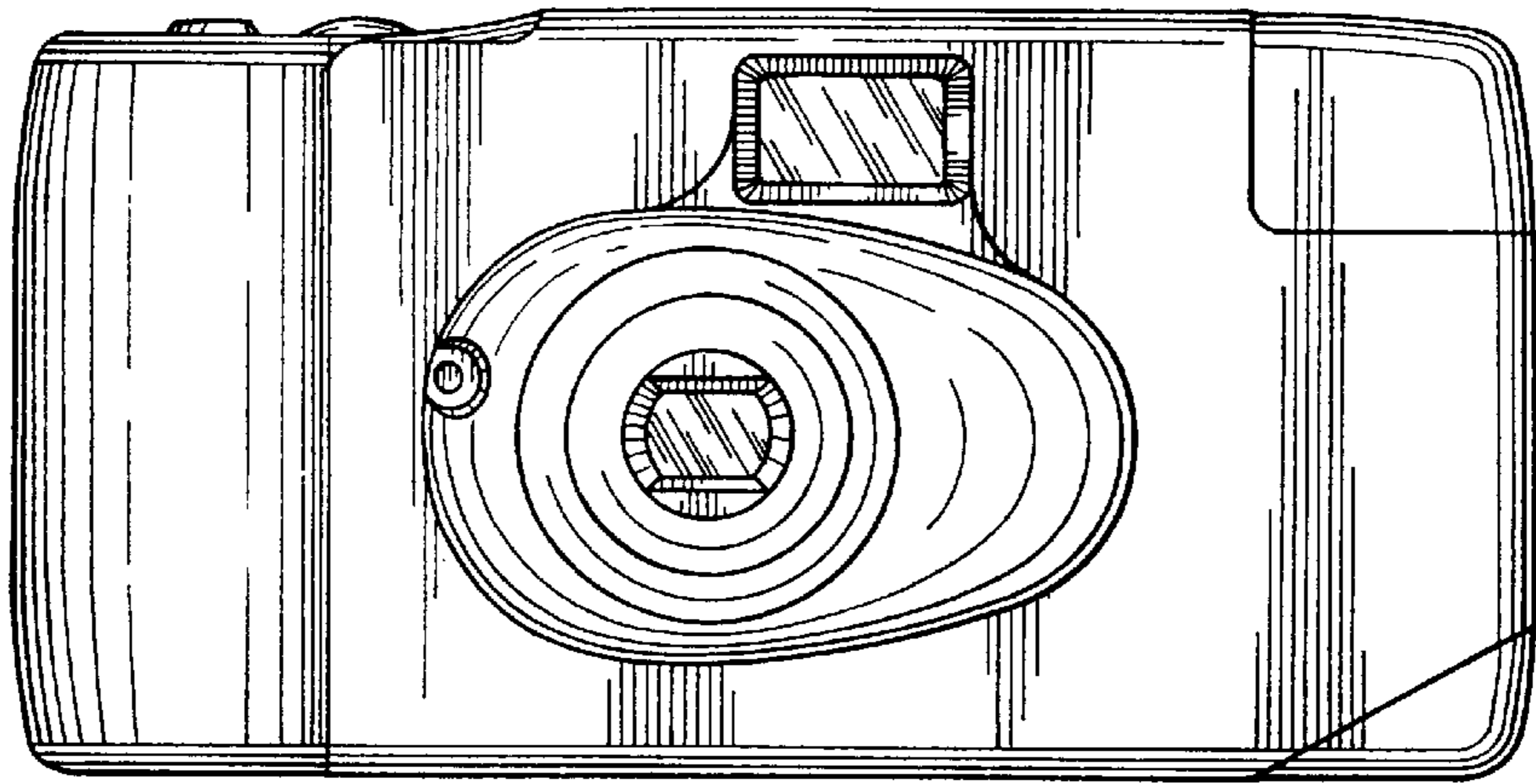


Fig. 1

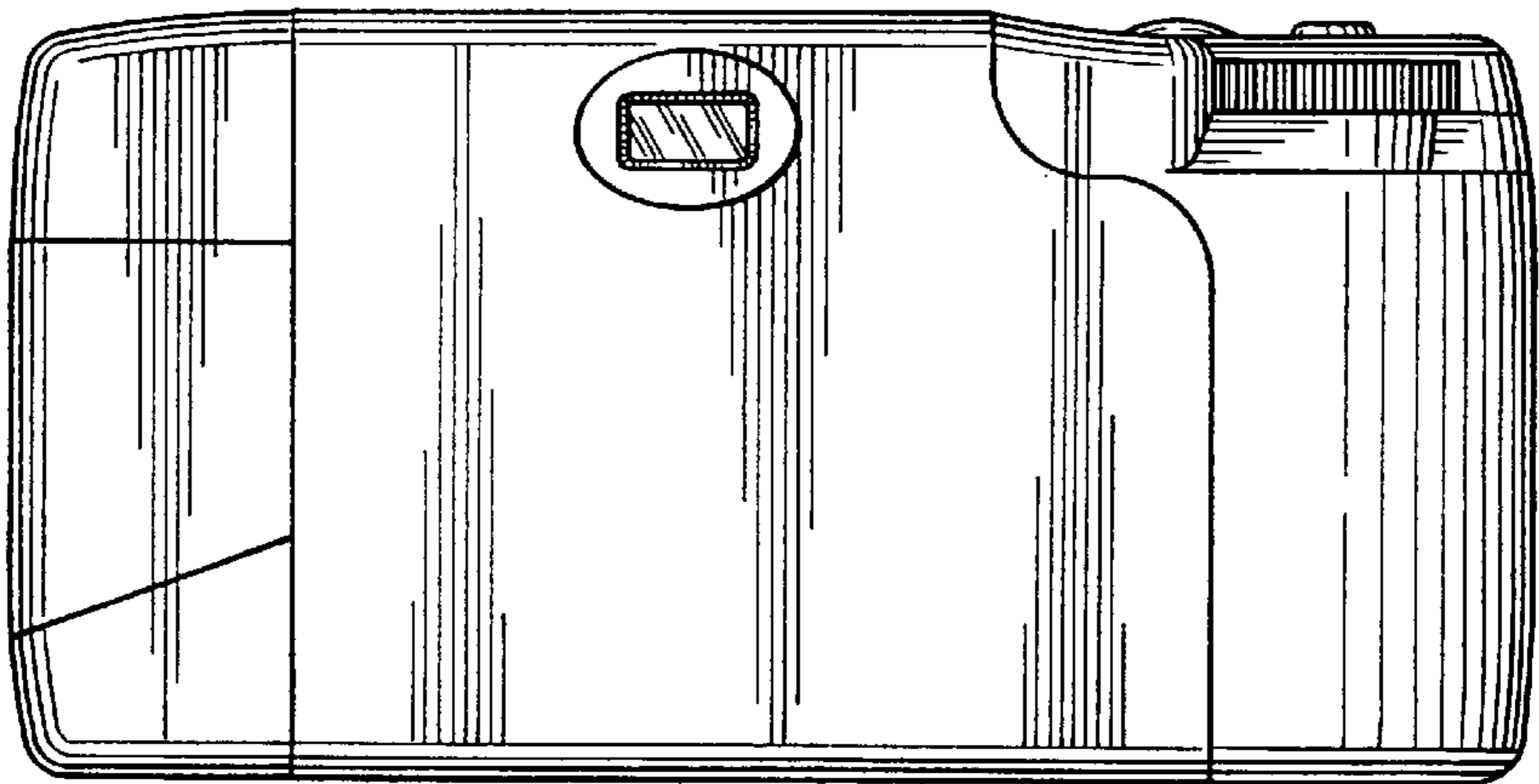


Fig. 2

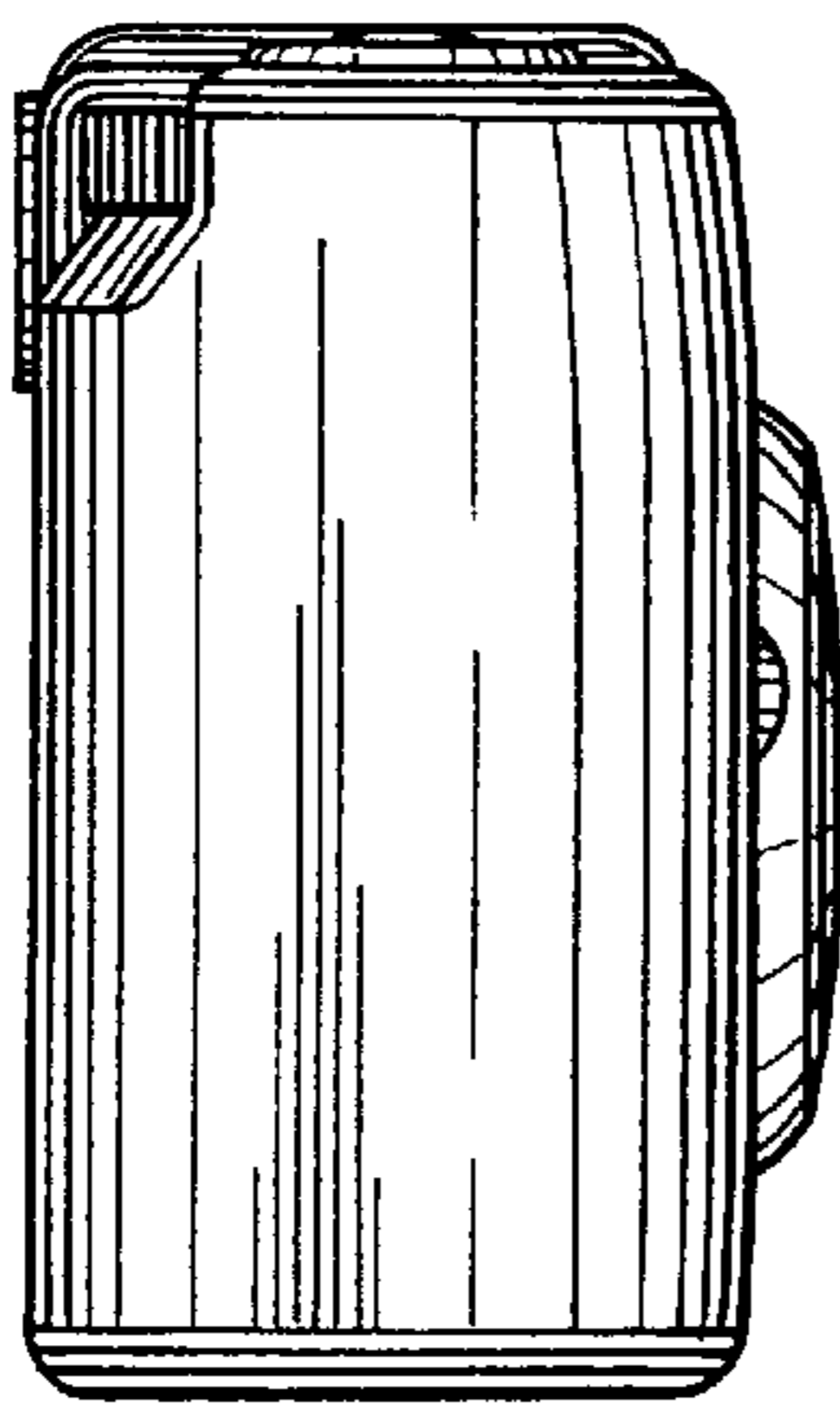


Fig. 3

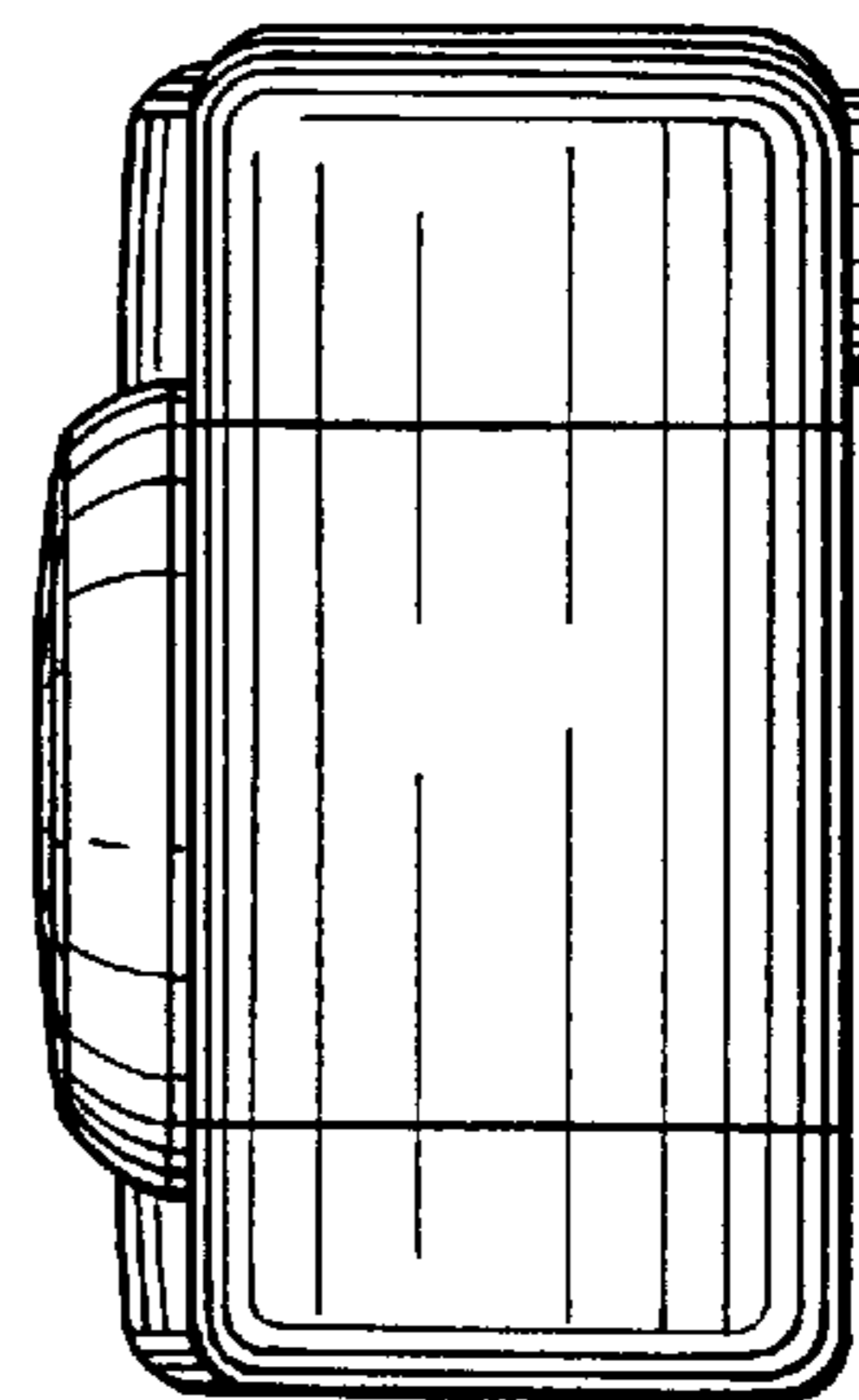


Fig. 4

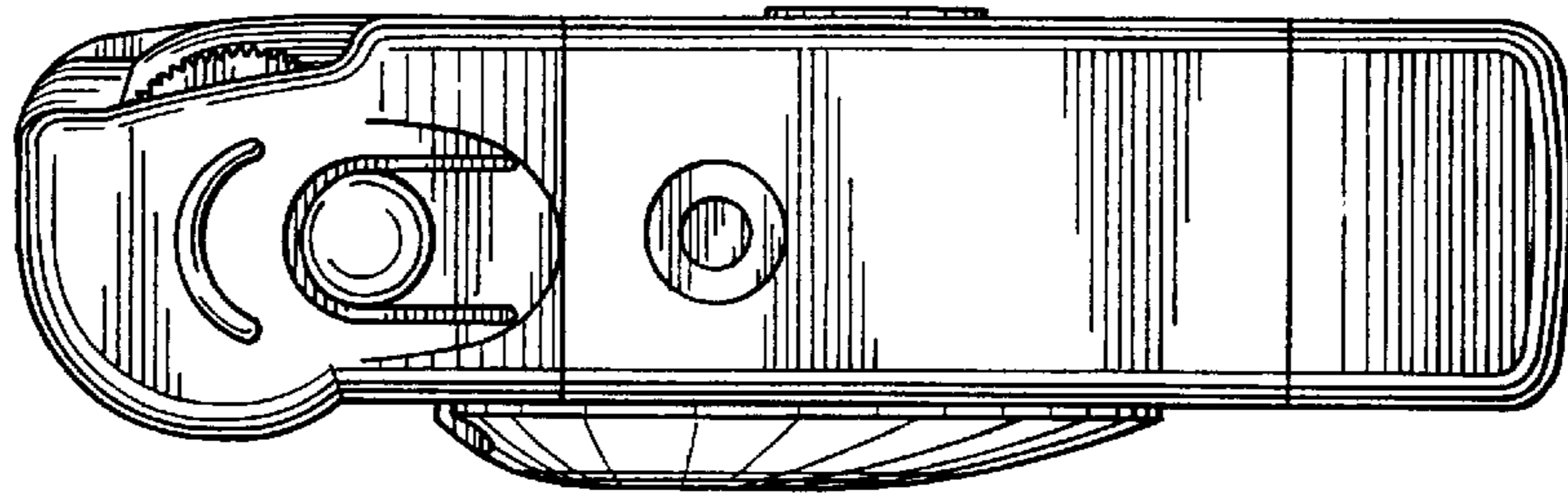


Fig. 5

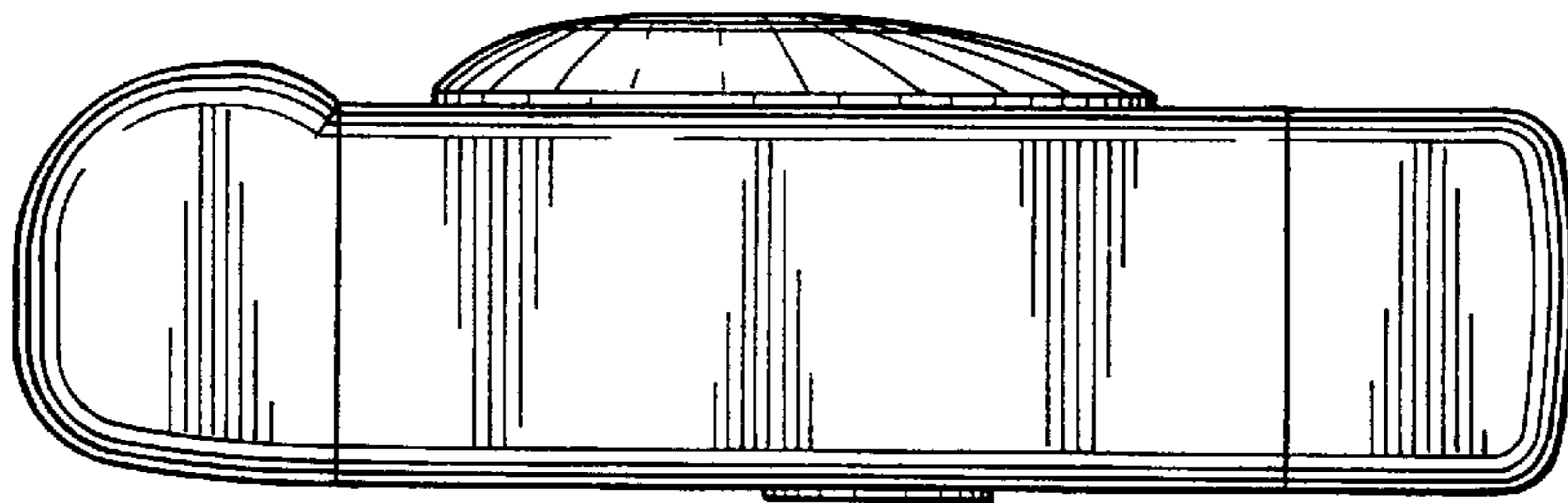


Fig. 6

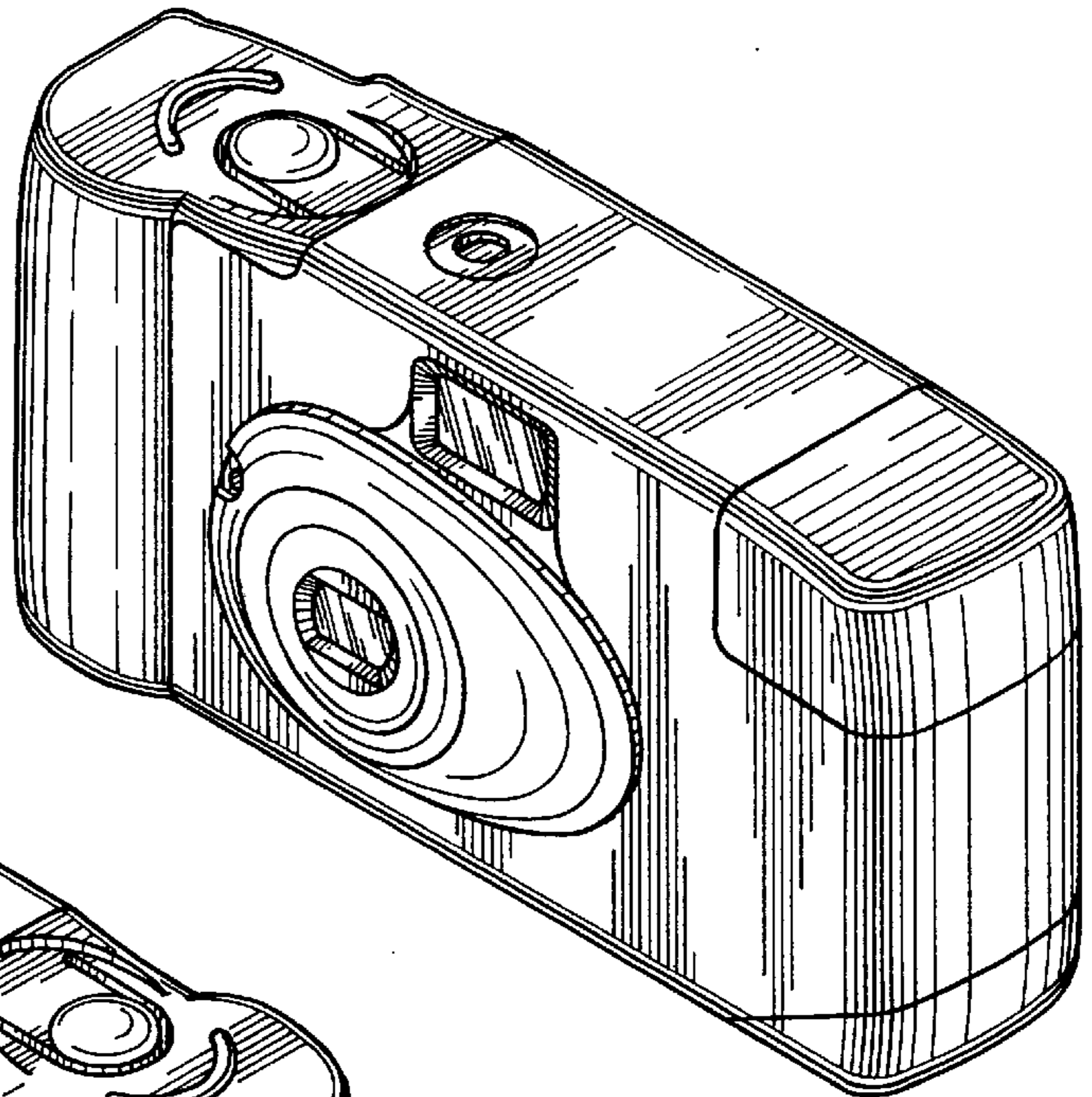


Fig. 7

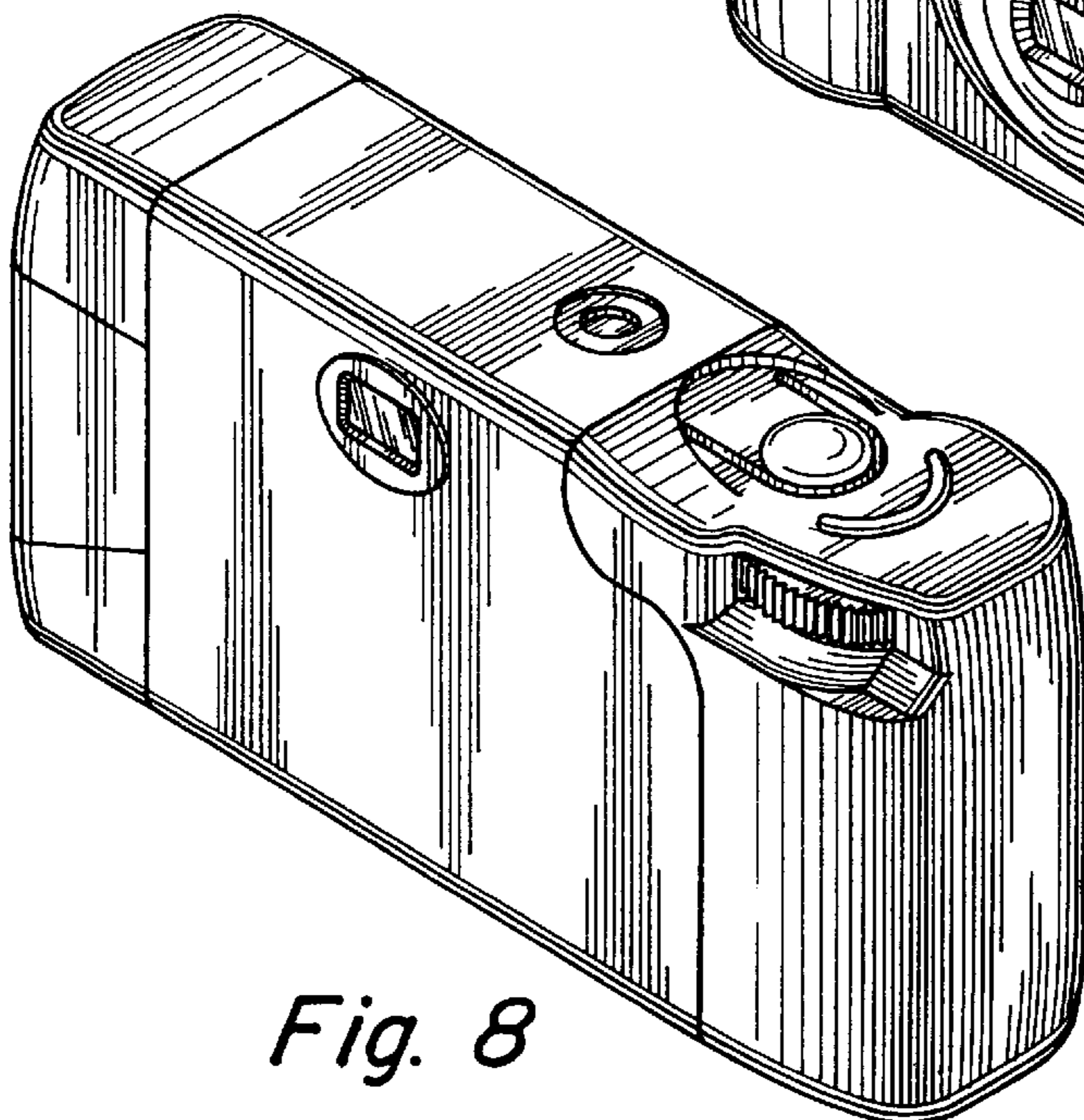


Fig. 8