



US00D412922S

United States Patent [19] Sekine

[11] **Patent Number: Des. 412,922**

[45] **Date of Patent: ** Aug. 17, 1999**

[54] **INTERCHANGEABLE LENS FOR DIGITAL VIDEO CAMERA**

[75] Inventor: **Naofumi Sekine**, Kawasaki, Japan

[73] Assignee: **Canon Kabushiki Kaisha**, Tokyo, Japan

[**] Term: **14 Years**

[21] Appl. No.: **29/086,864**

[22] Filed: **Apr. 21, 1998**

[30] **Foreign Application Priority Data**

Oct. 22, 1997 [JP] Japan 9-72334

[51] **LOC (6) Cl.** **16-06**

[52] **U.S. Cl.** **D16/134; D16/219**

[58] **Field of Search** D16/134, 136, D16/219, 237; 359/703, 704, 811, 815, 819, 826, 827, 828; 396/529-531

[56] **References Cited**

U.S. PATENT DOCUMENTS

D. 248,766 8/1978 Arai D16/134

D. 337,776 7/1993 Takahashi D16/134
D. 362,007 9/1995 Takahashi D16/134
1,767,850 6/1930 Howell 359/827
3,968,504 7/1976 Komine 396/529
4,118,713 10/1978 Murakami et al. 396/529

Primary Examiner—Adir Aronovich
Attorney, Agent, or Firm—Fitzpatrick, Cella, Harper & Scinto

[57] **CLAIM**

The ornamental design for an interchangeable lens for digital video camera, as shown and described.

DESCRIPTION

FIG. 1 is a front view of an interchangeable lens for digital video camera showing my new design;
FIG. 2 is a rear view thereof;
FIG. 3 is a top plan view thereof;
FIG. 4 is a bottom plan view thereof;
FIG. 5 is a left side view thereof;
FIG. 6 is a right side view thereof; and,
FIG. 7 is a perspective view thereof.

1 Claim, 3 Drawing Sheets

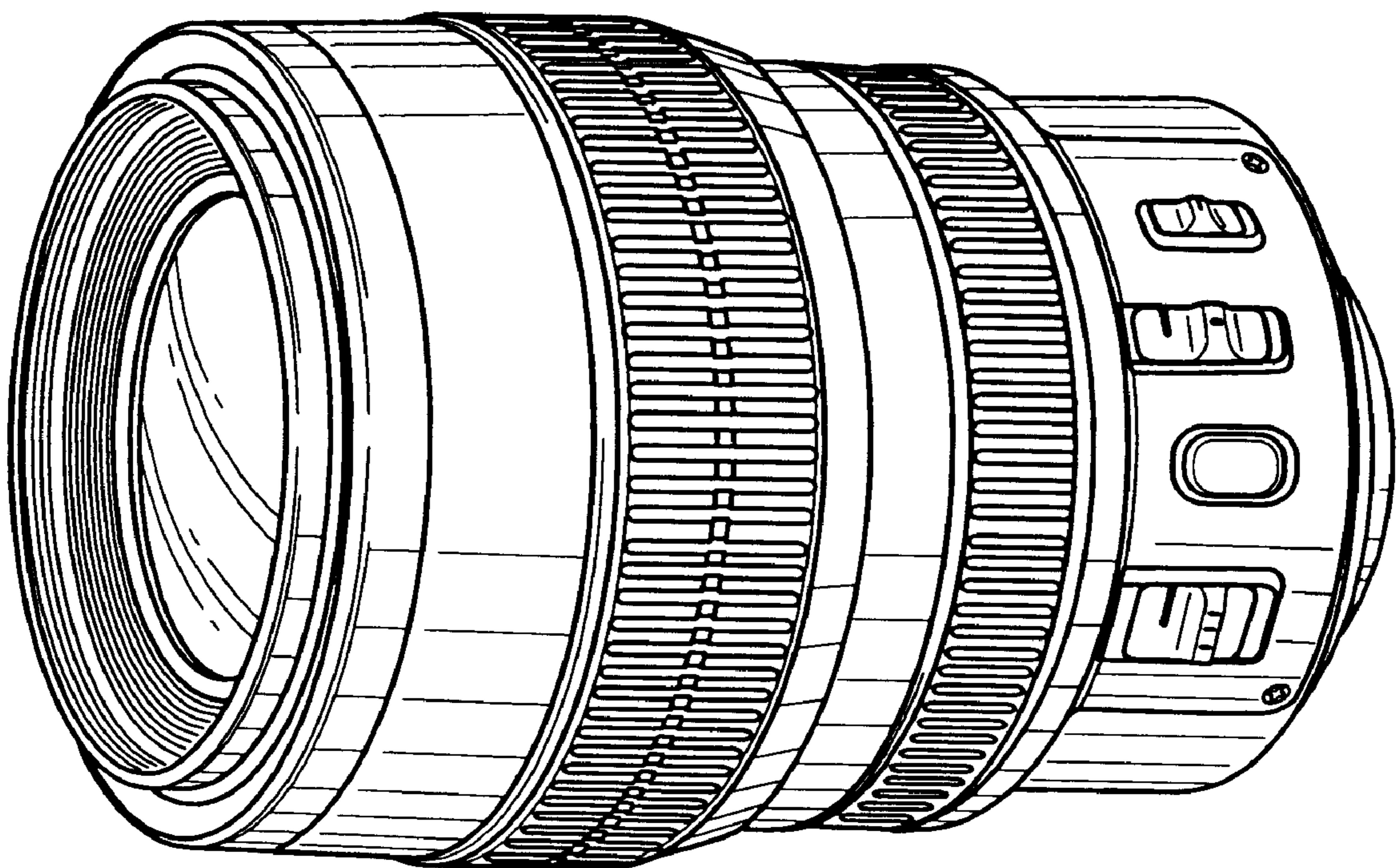


FIG. 1

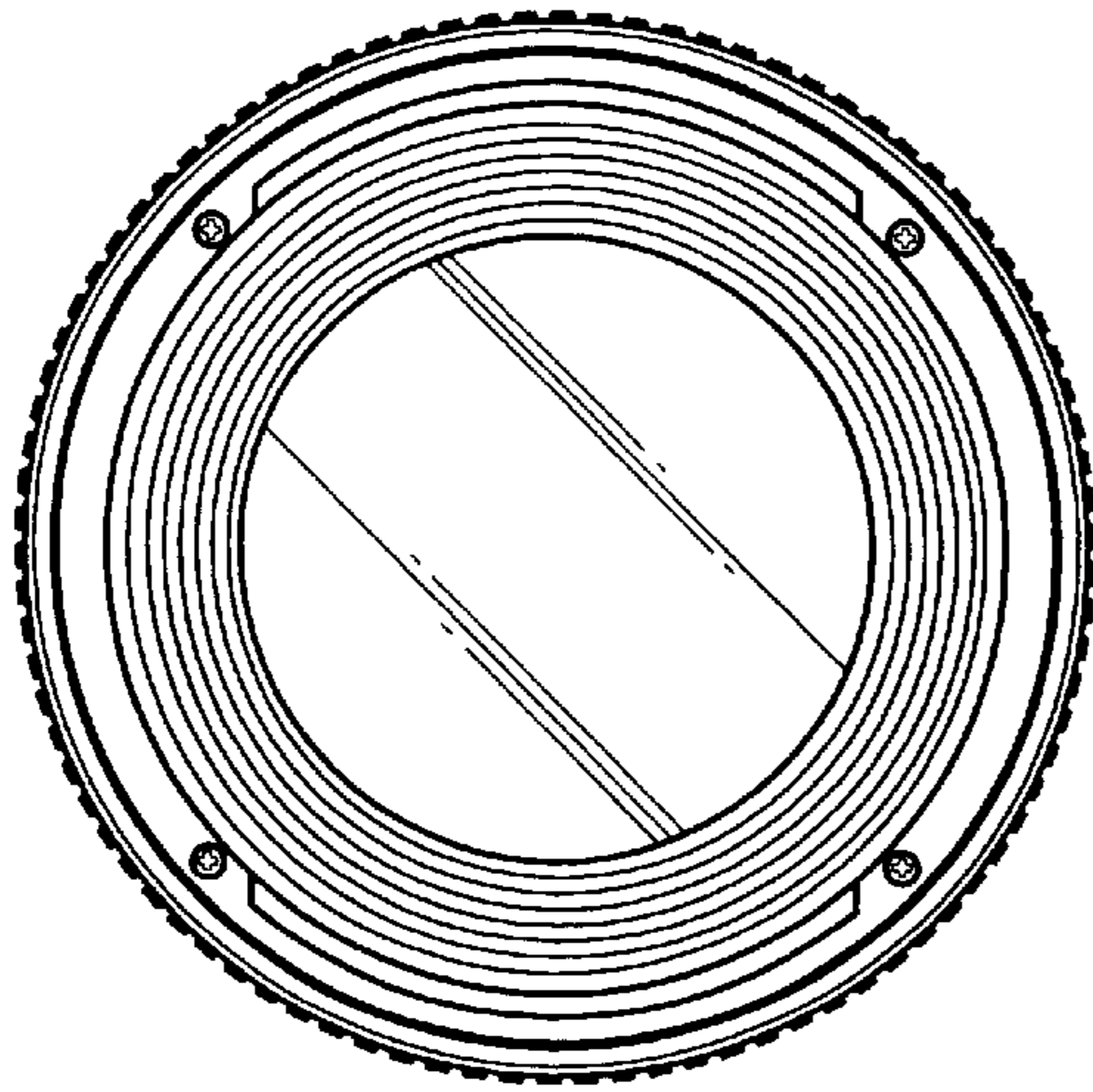


FIG. 2

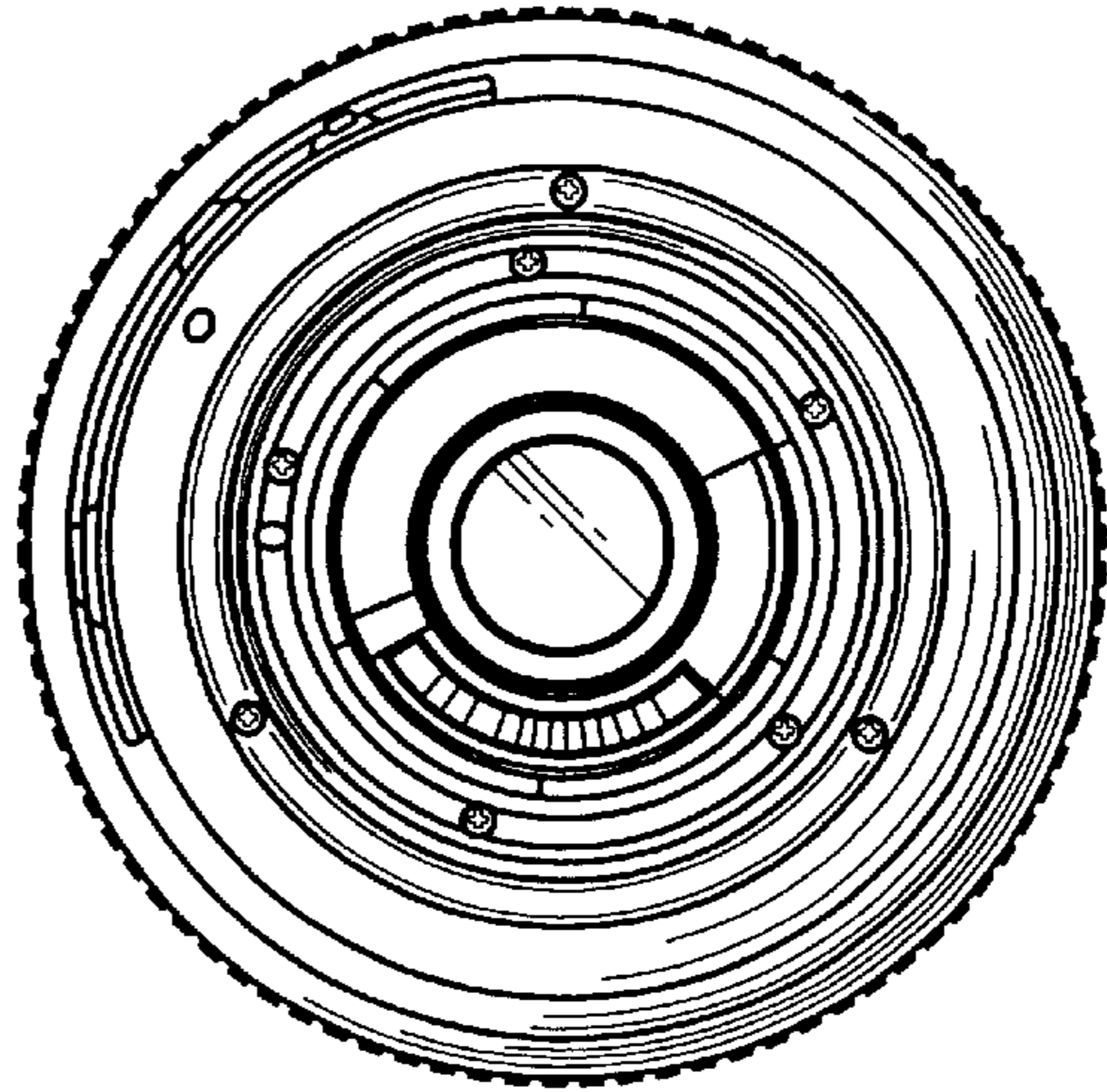


FIG. 3

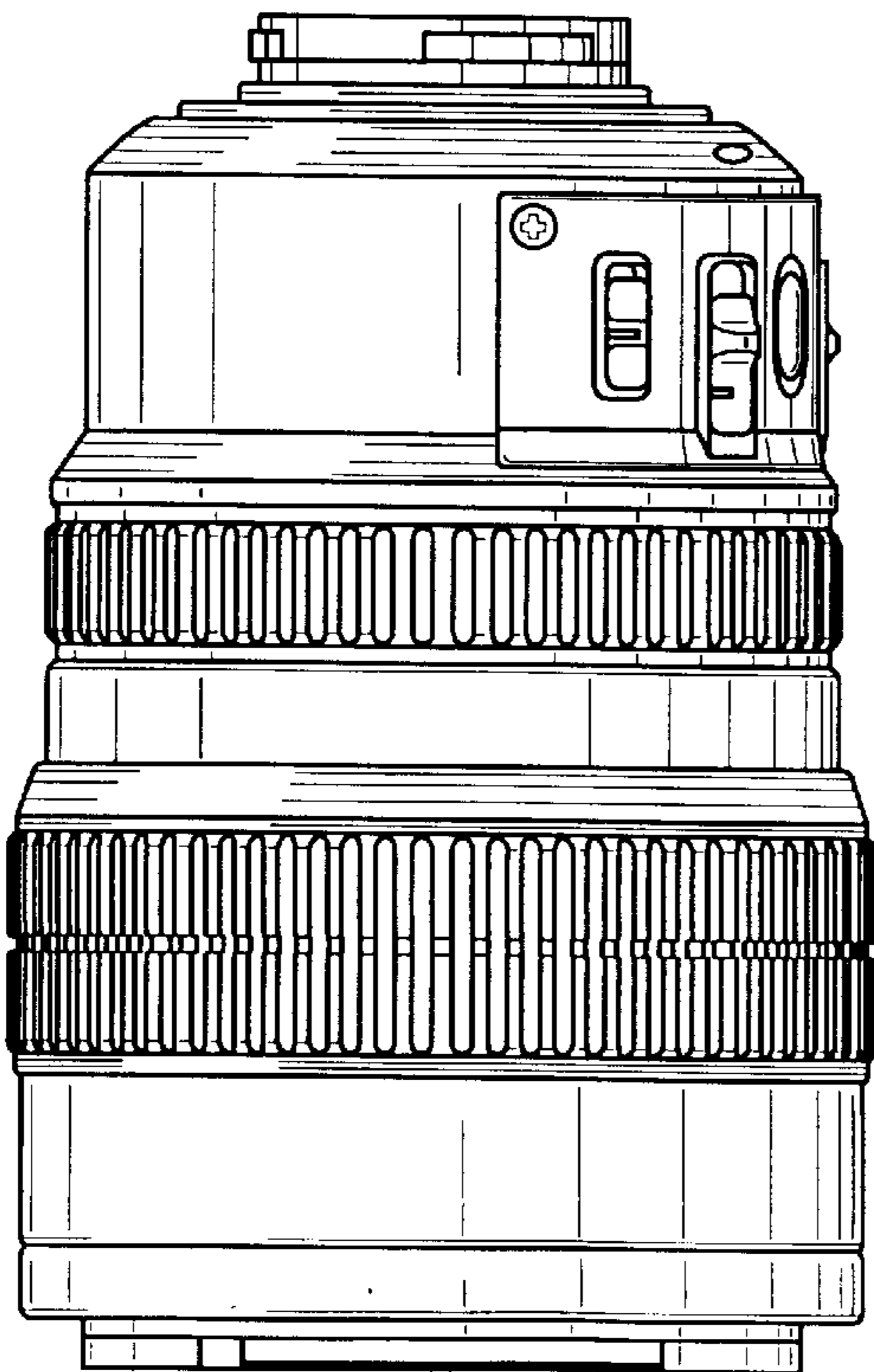


FIG. 4

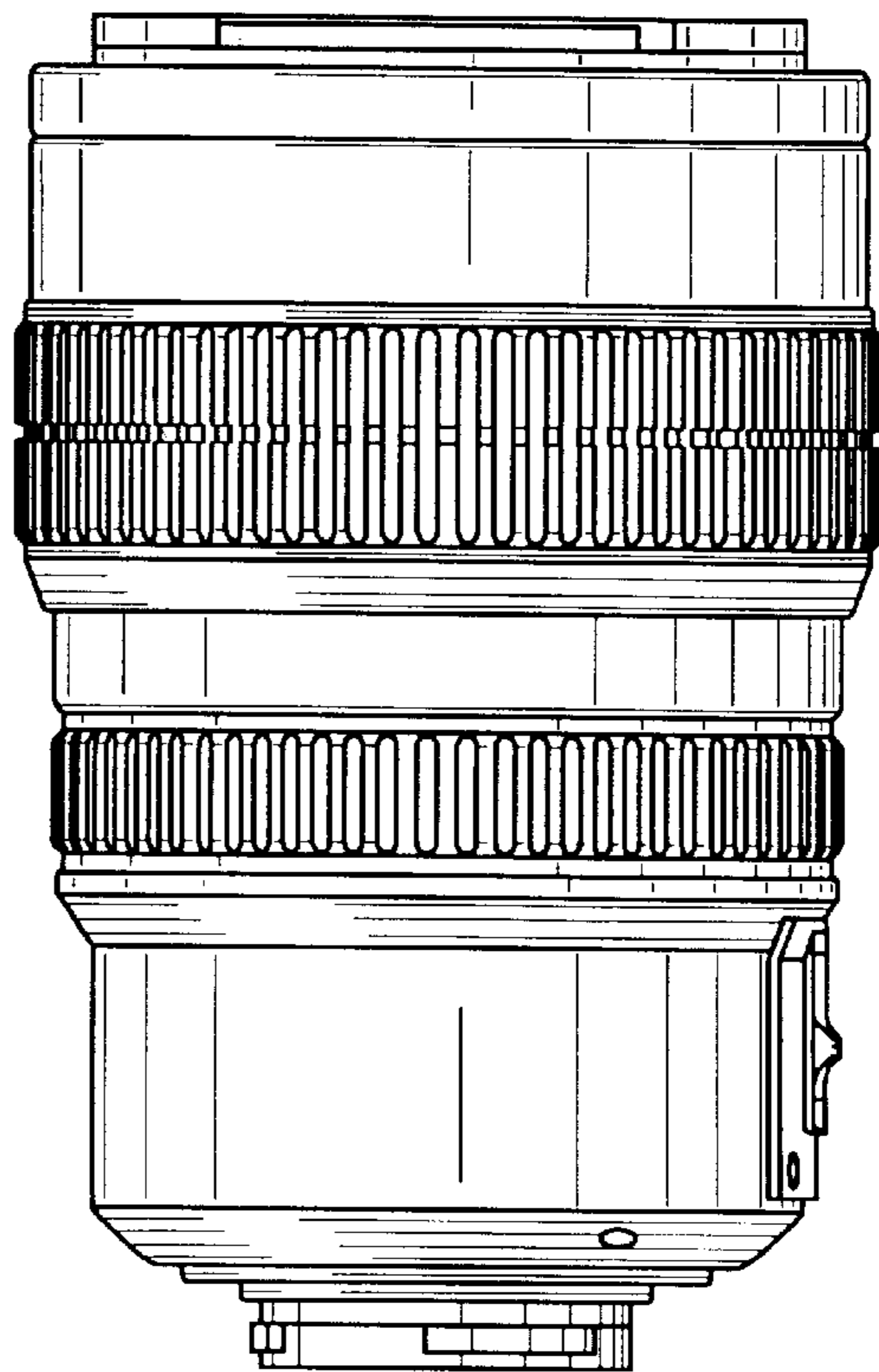


FIG. 5

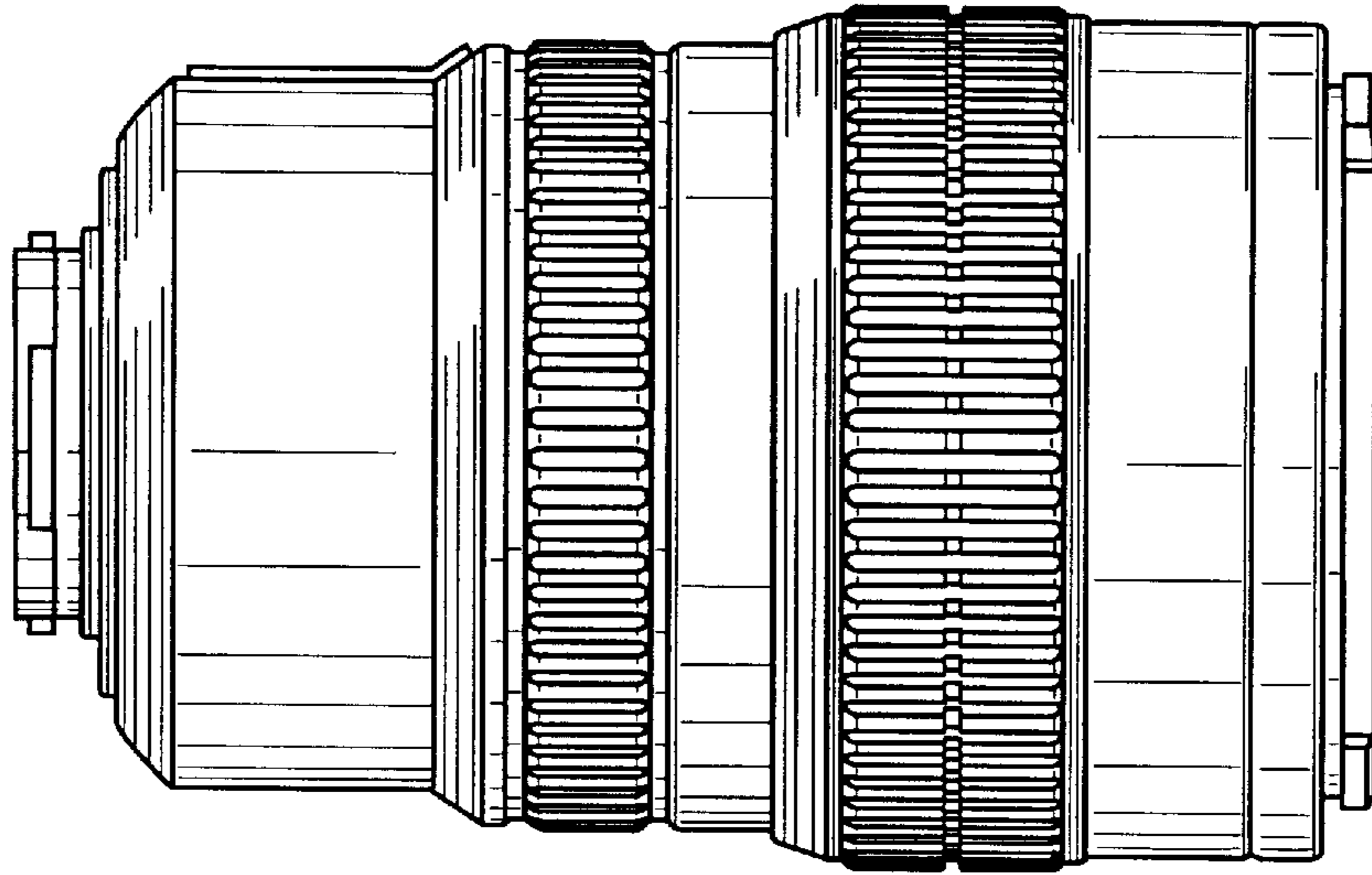


FIG. 6

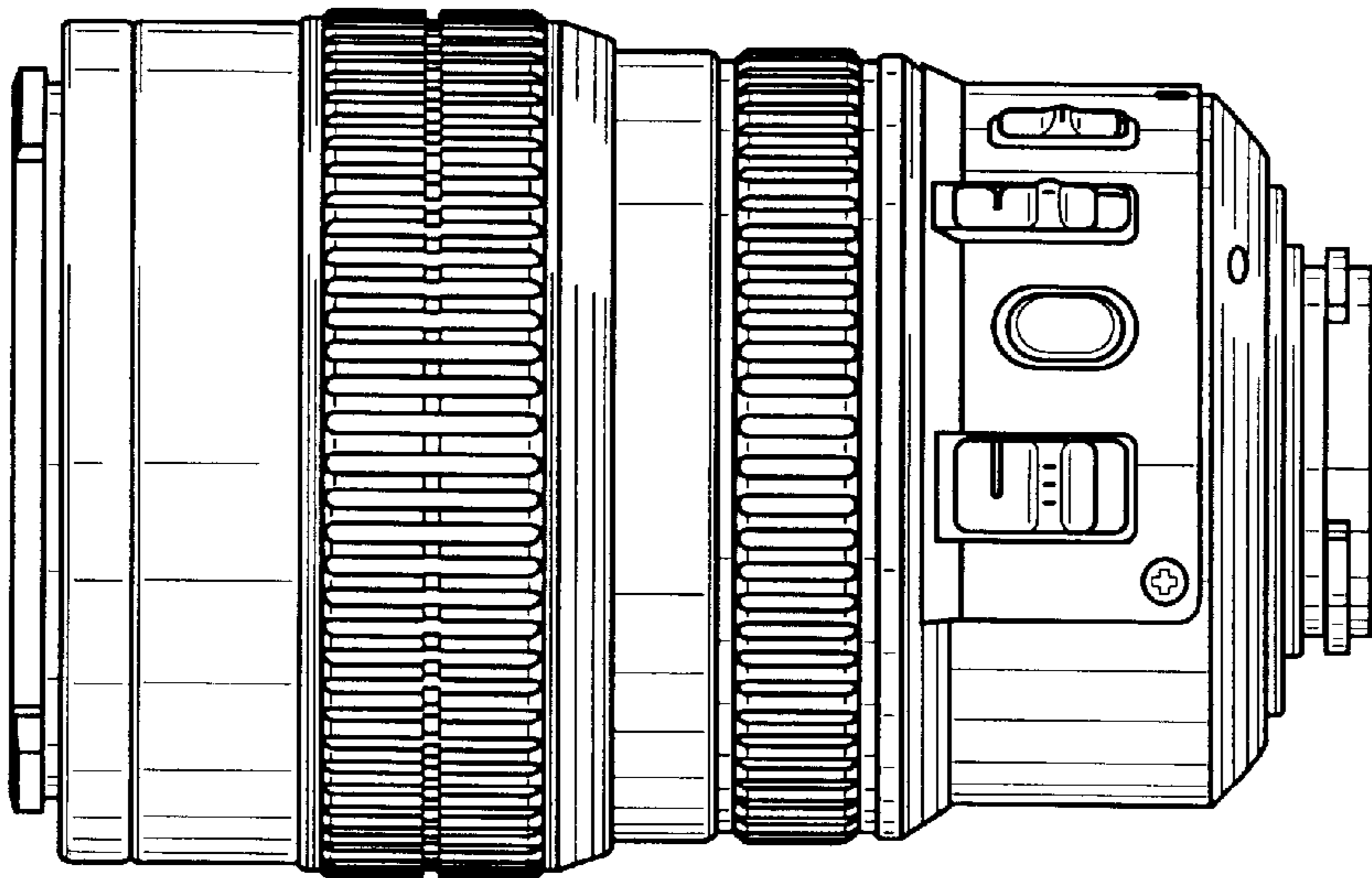


FIG. 7

