



US00D412921S

United States Patent [19]
Hayamizu

[11] **Patent Number: Des. 412,921**

[45] **Date of Patent: ** Aug. 17, 1999**

[54] **BINOCULARS**

[75] Inventor: **Eiji Hayamizu**, Tokyo, Japan

[73] Assignee: **Asahi Kogaku Kogyo Kabushiki Kaisha**, Tokyo, Japan

[**] Term: **14 Years**

[21] Appl. No.: **29/098,575**

[22] Filed: **Dec. 31, 1998**

[30] **Foreign Application Priority Data**

Jul. 3, 1998 [JP] Japan 10-19305

[51] **LOC (6) Cl.** **16-06**

[52] **U.S. Cl.** **D16/133**

[58] **Field of Search** D16/130, 133;
359/414, 415, 416, 408-412, 418, 419

[56] **References Cited**

U.S. PATENT DOCUMENTS

D. 223,298	4/1972	Souda et al.	D16/133
D. 242,243	11/1976	Takahashi	D16/133
D. 256,024	7/1980	Noda et al.	D16/133
D. 299,724	2/1989	Aoki	D16/133
D. 330,038	10/1992	Ratzlaff	D16/133
D. 387,077	12/1997	Lee	D16/133
D. 392,986	3/1998	Katou	D16/133

D. 395,055	6/1998	Lee	D16/133
4,186,992	2/1980	Kamakura	359/416
5,231,535	7/1993	Peters et al.	359/416 X

Primary Examiner—Paula A. Mortimer
Attorney, Agent, or Firm—Sughrue, Mion, Zinn, Macpeak & Seas, PLLC

[57] **CLAIM**

The ornamental design for binoculars, as shown and described.

DESCRIPTION

FIG. 1 is a perspective view of the top, front and right side of binoculars showing my new design;
FIG. 2 is a top plan view thereof;
FIG. 3 is a front elevational view thereof;
FIG. 4 is a right side elevational view thereof;
FIG. 5 is a left side elevational view thereof;
FIG. 6 is a rear elevational view thereof;
FIG. 7 is a bottom plan view thereof;
FIG. 8 is a top plan view thereof in a folded storage position;
FIG. 9 is a front elevation view thereof;
FIG. 10 is a right side elevational view thereof;
FIG. 11 is a left side elevational view thereof;
FIG. 12 is a rear elevational view thereof; and,
FIG. 13 is a bottom plan view thereof.

1 Claim, 7 Drawing Sheets

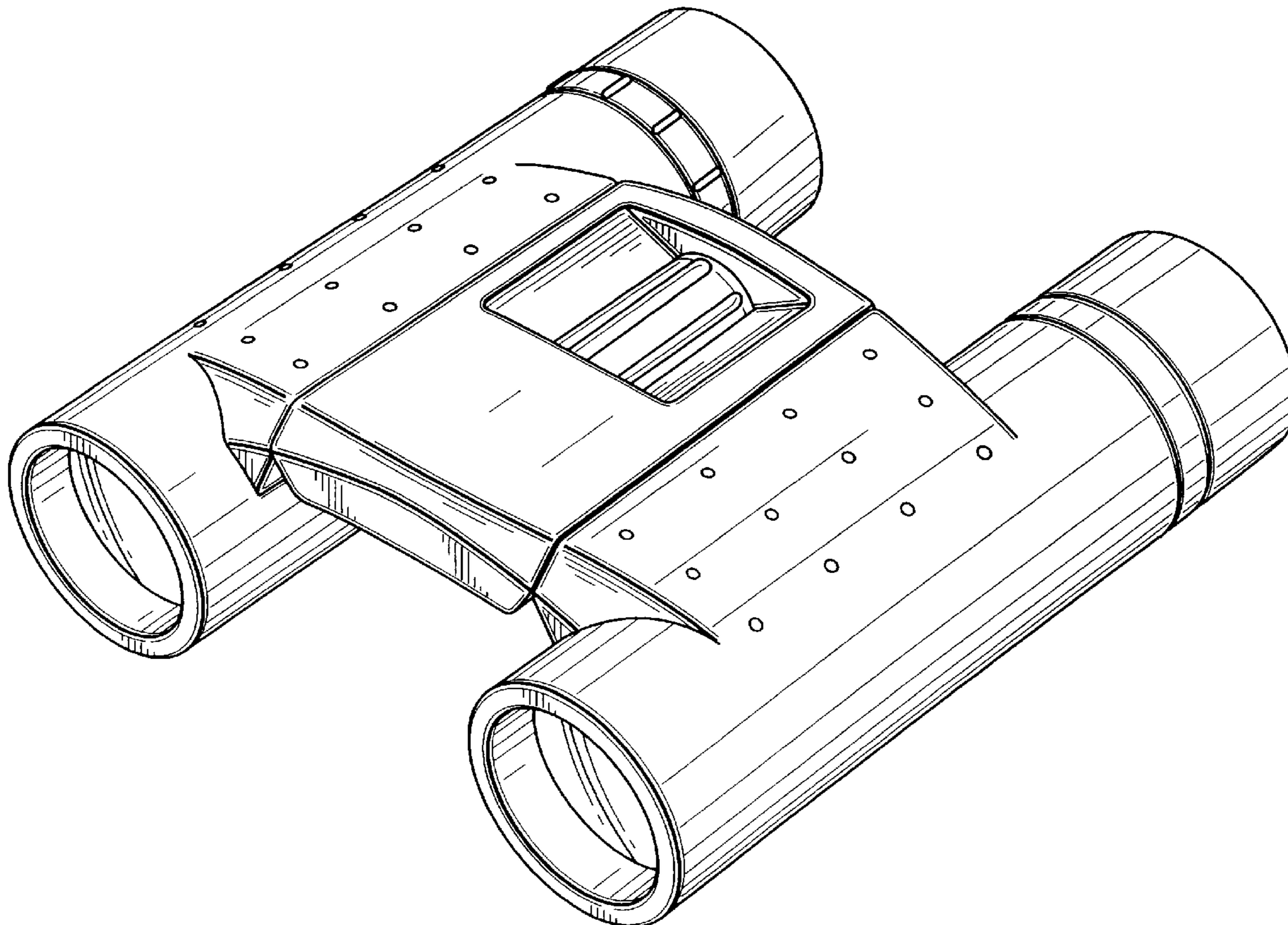


FIG. 1

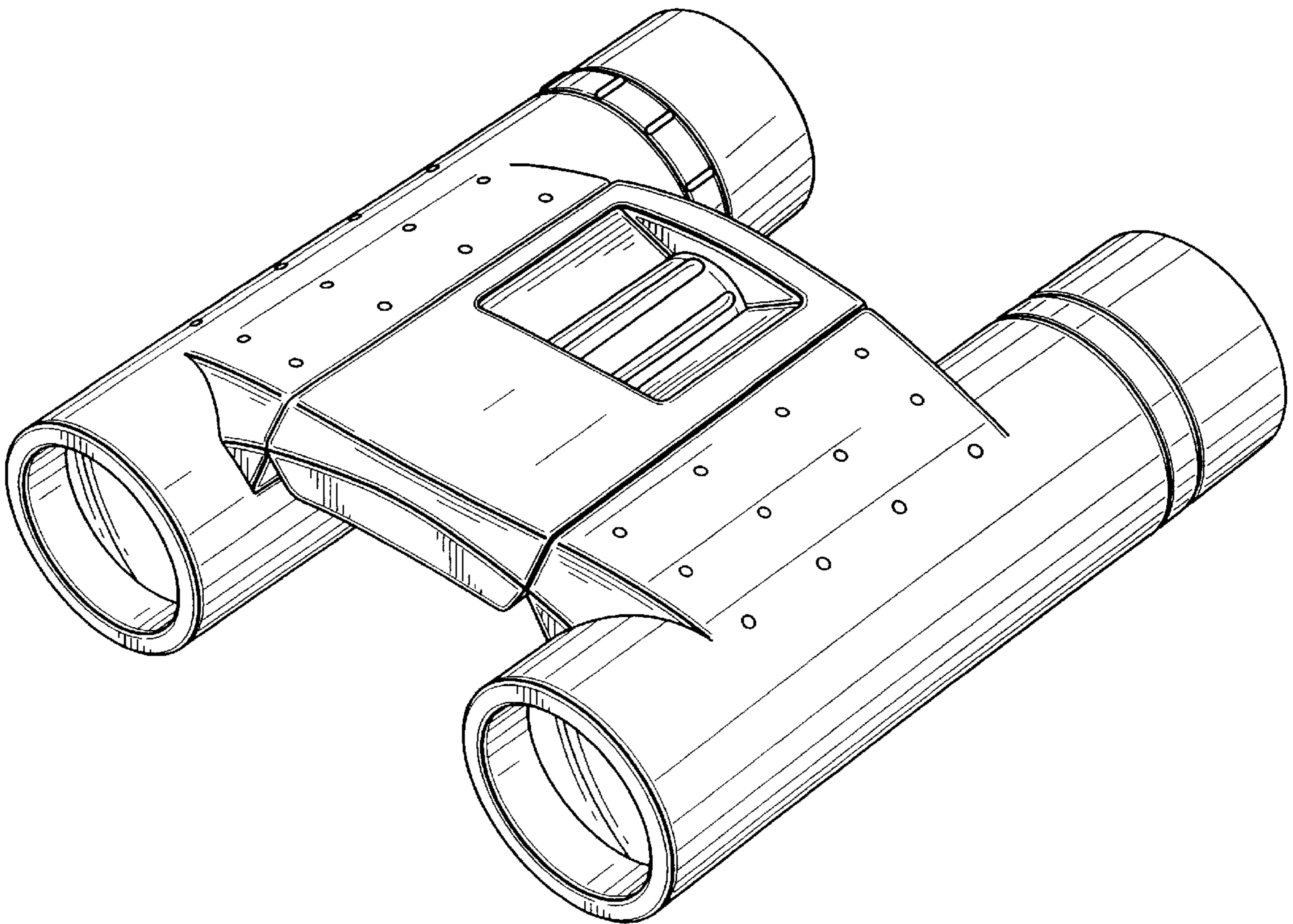


FIG. 2

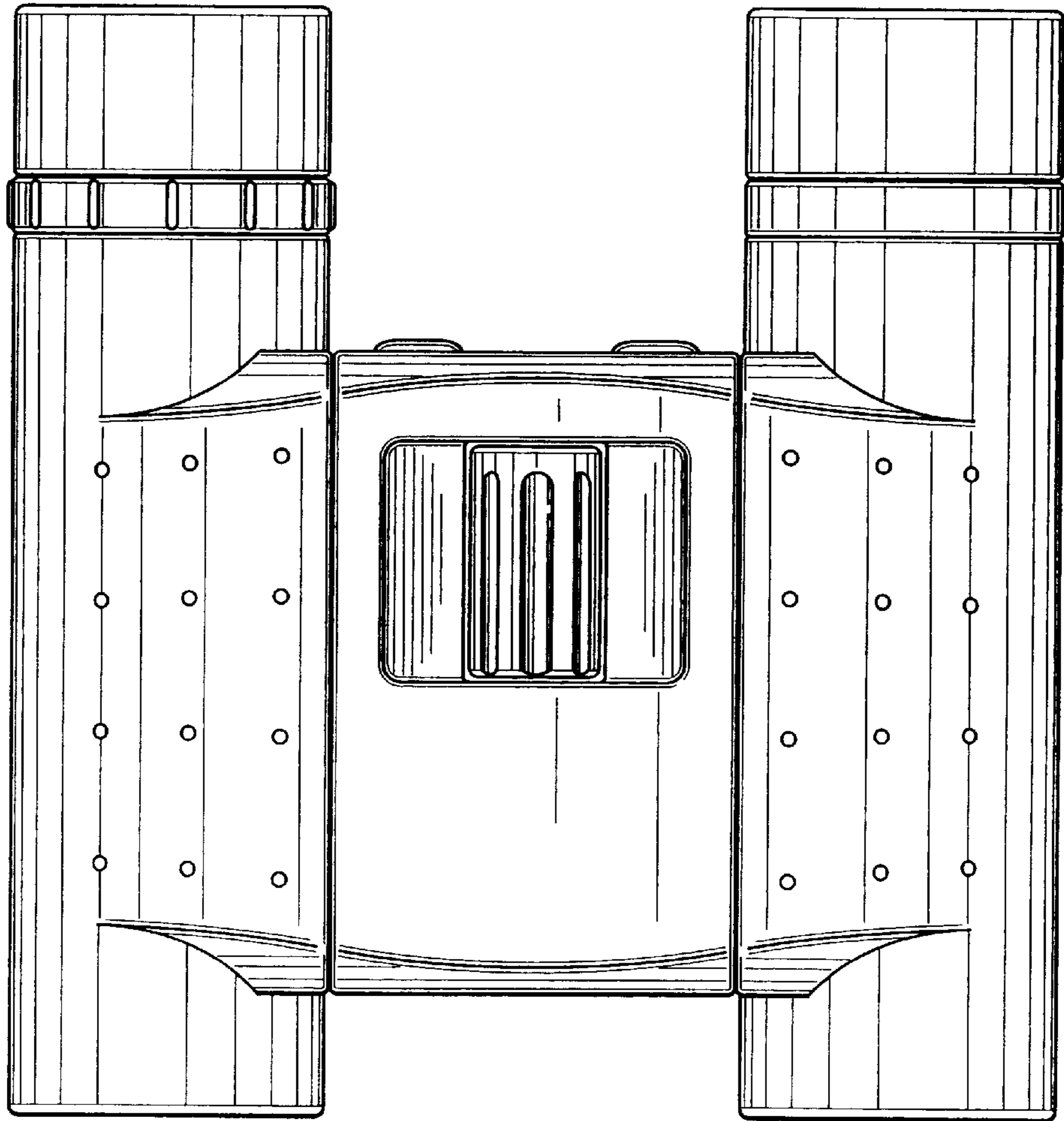


FIG. 3

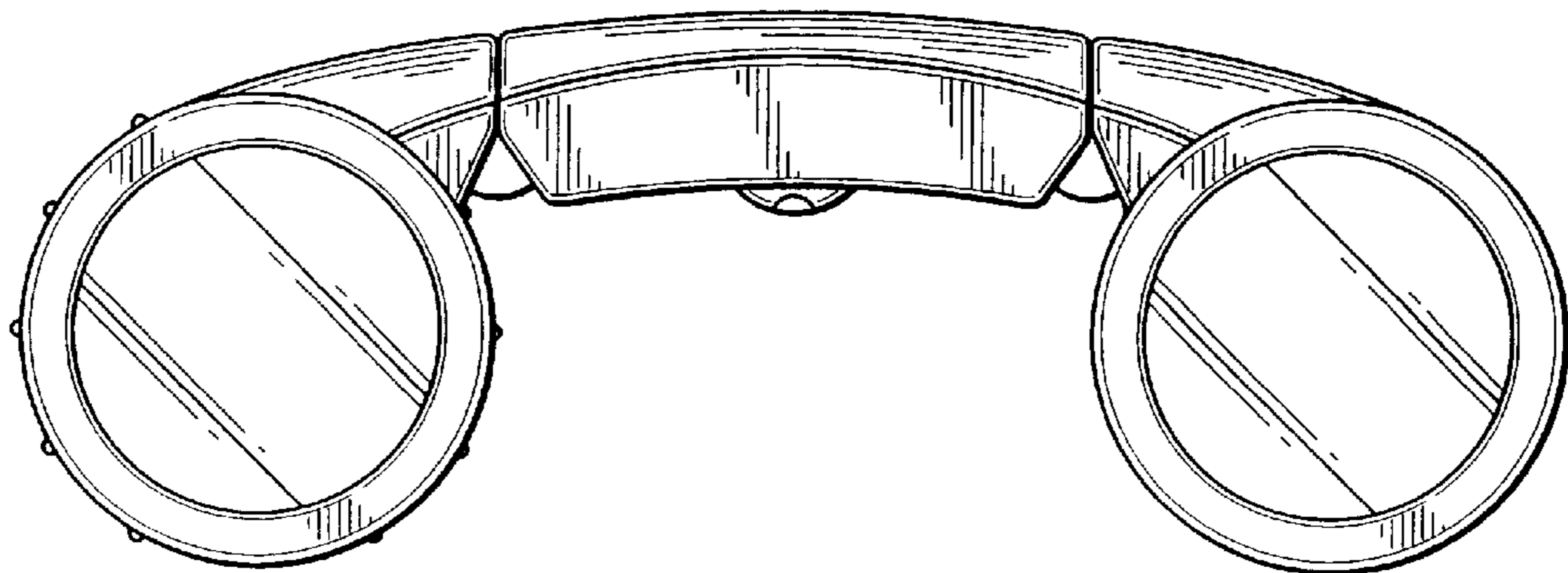


FIG. 4

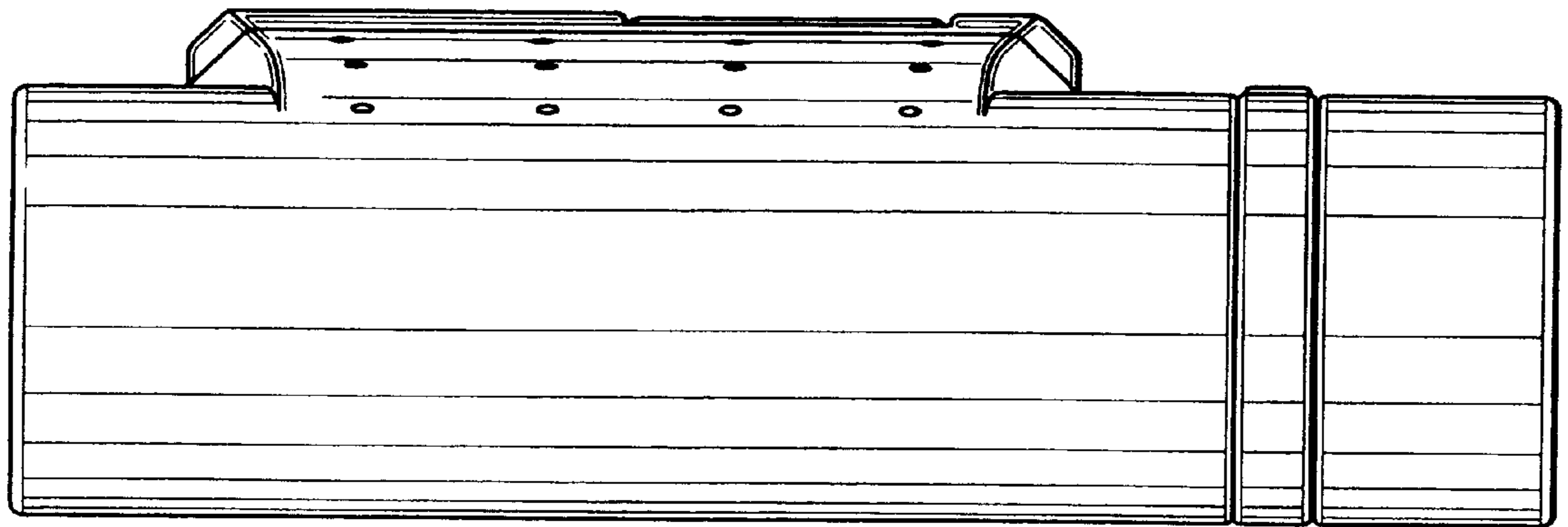


FIG. 5

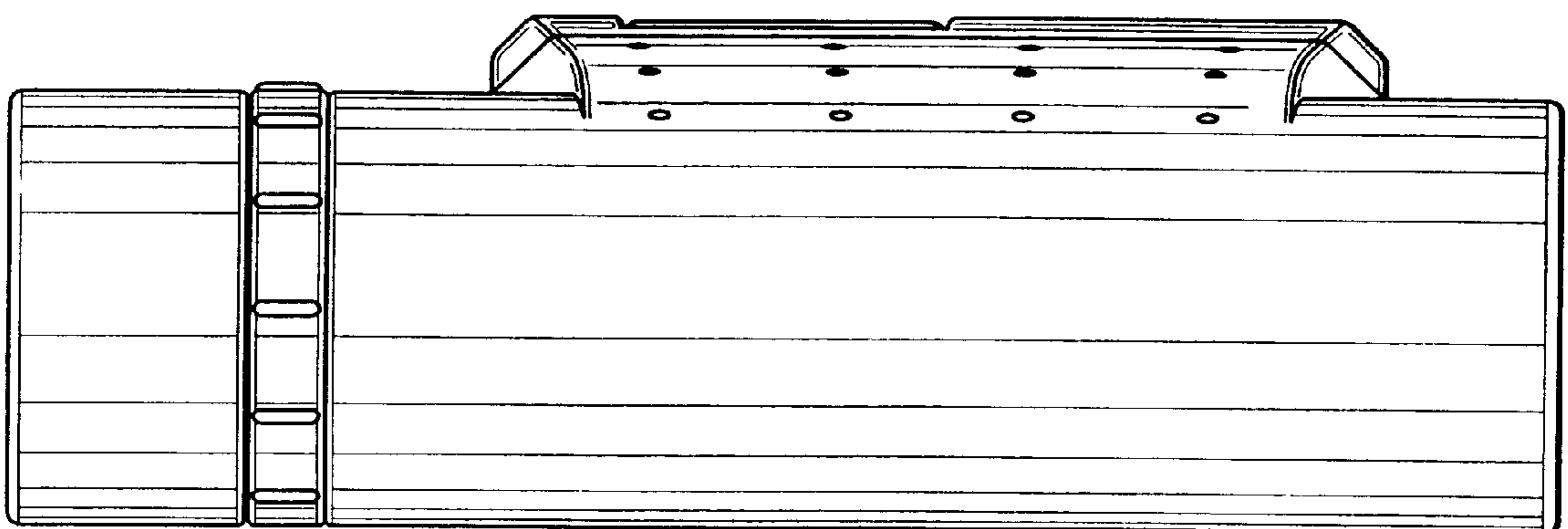


FIG. 6

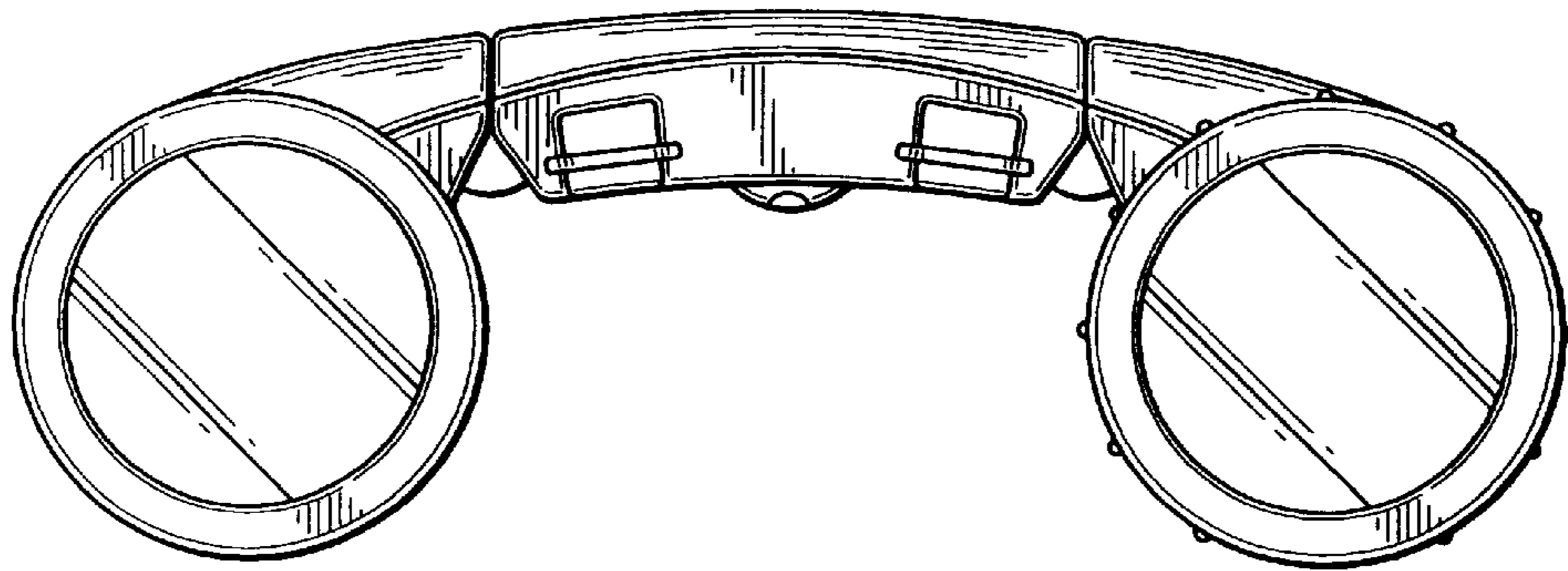


FIG. 7

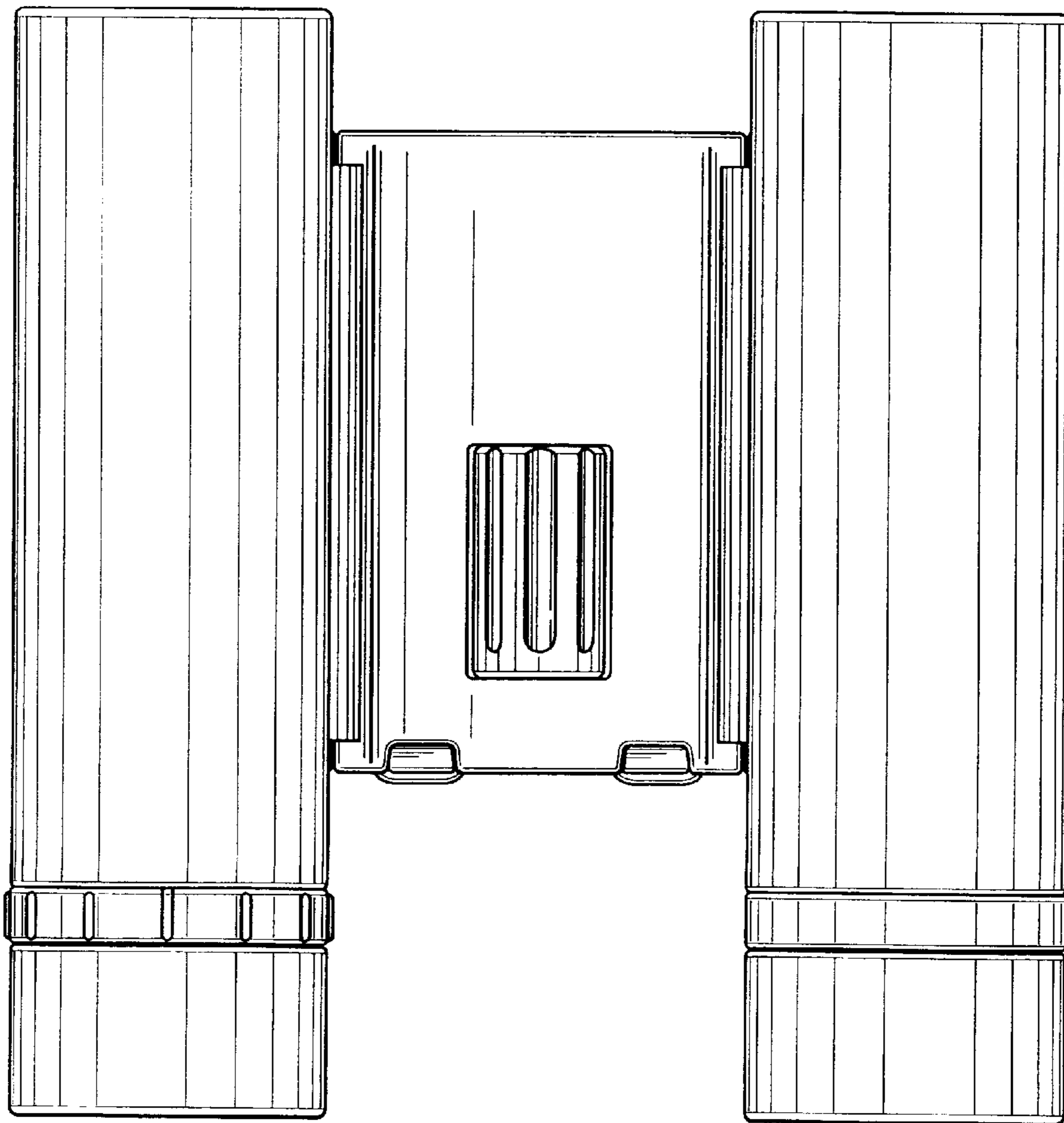


FIG. 8

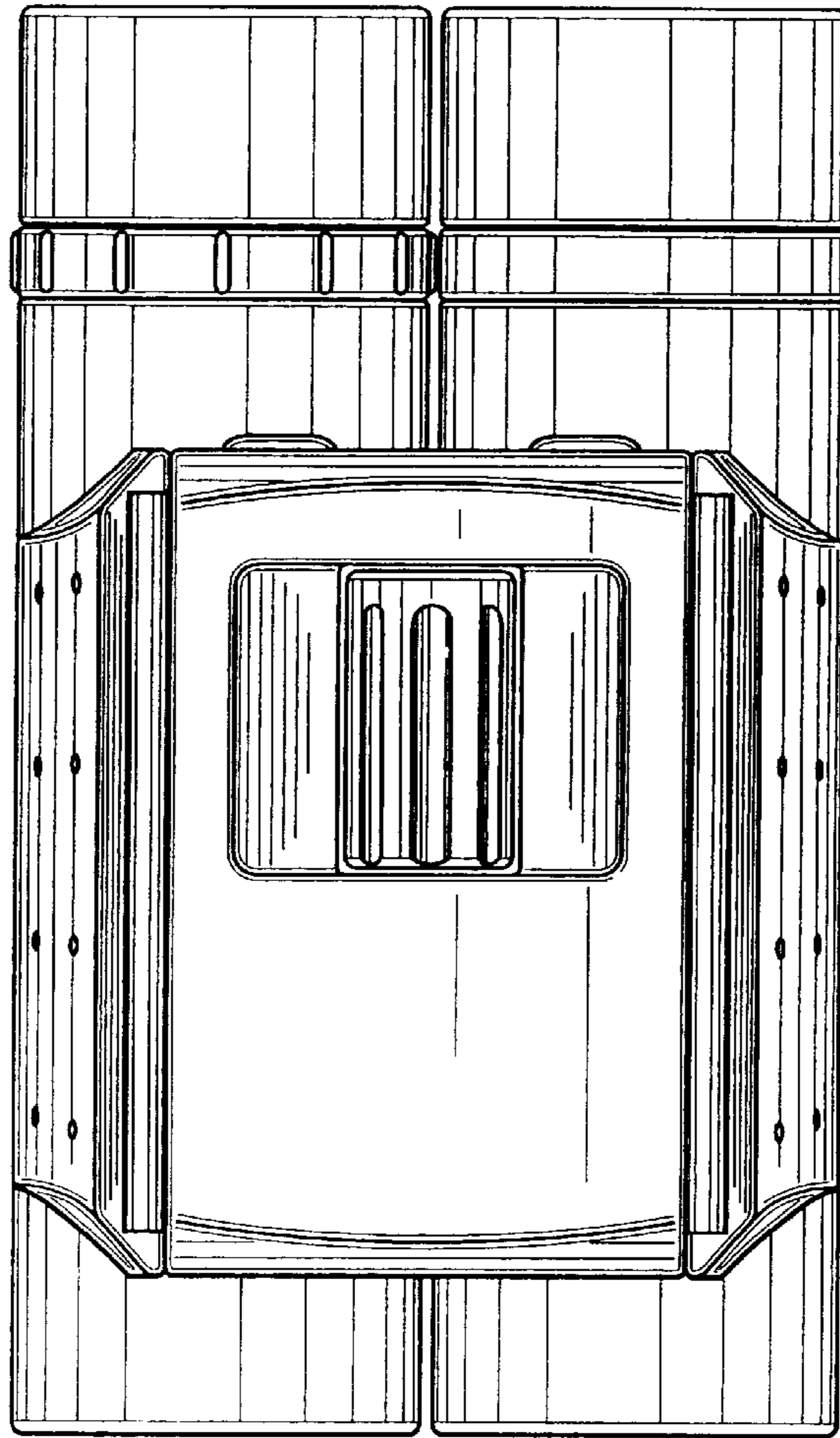


FIG. 9

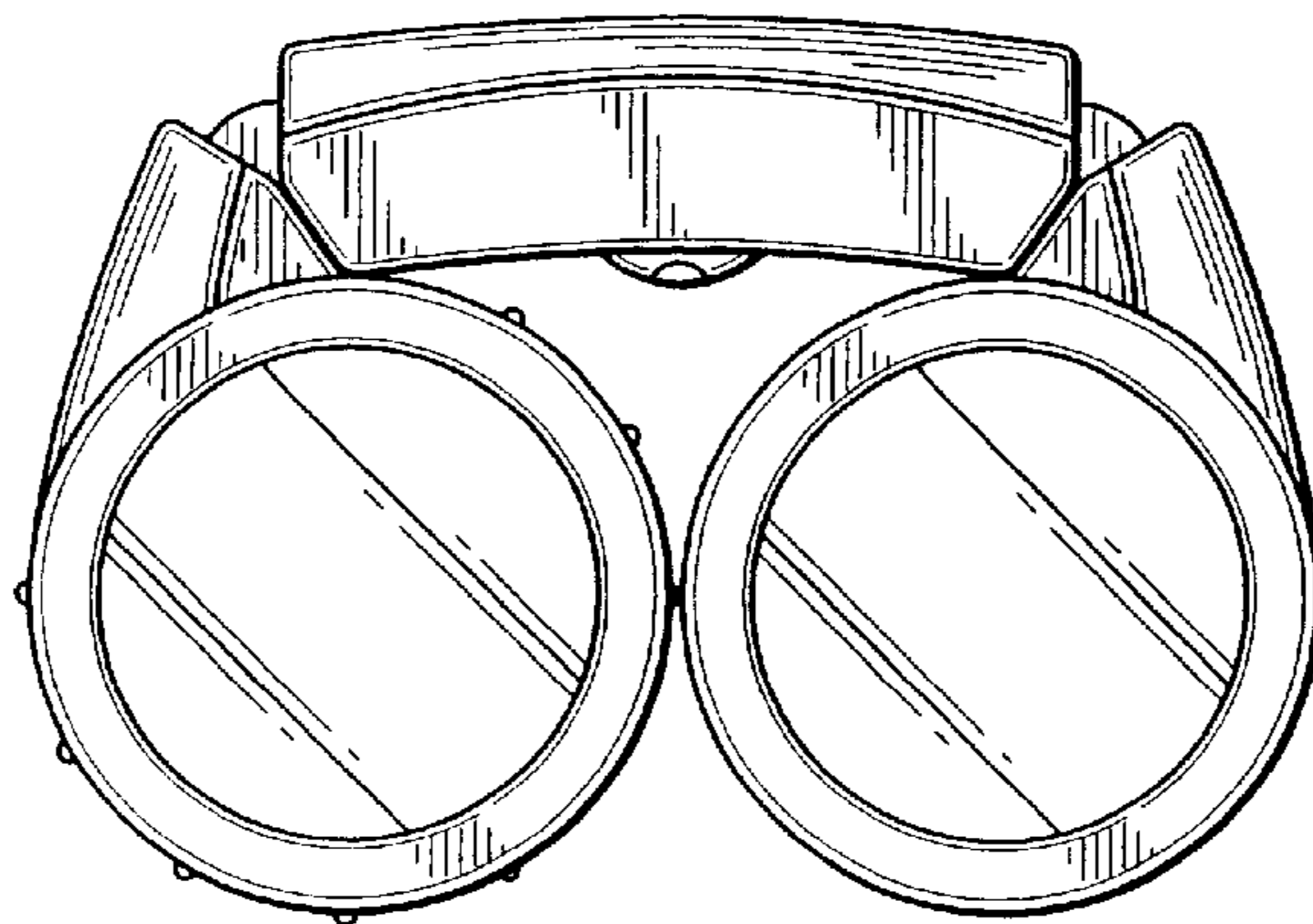


FIG. 10

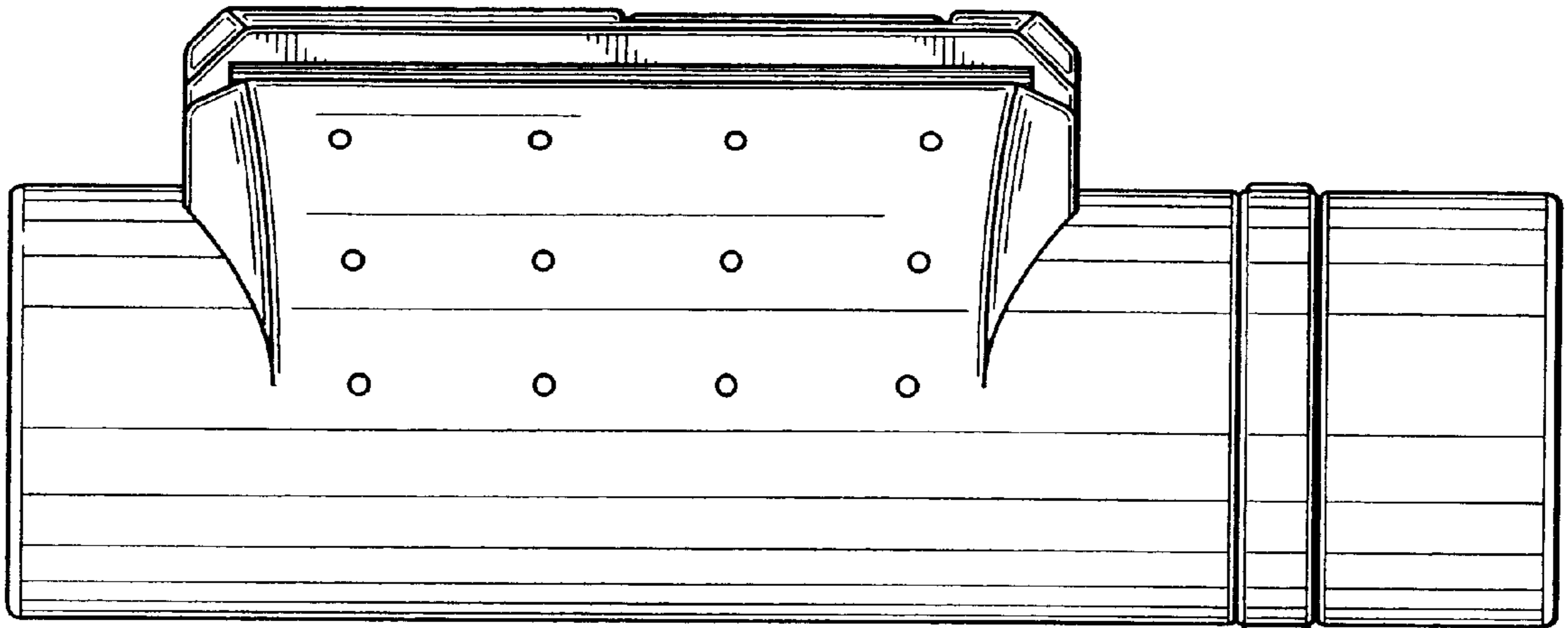


FIG. 11

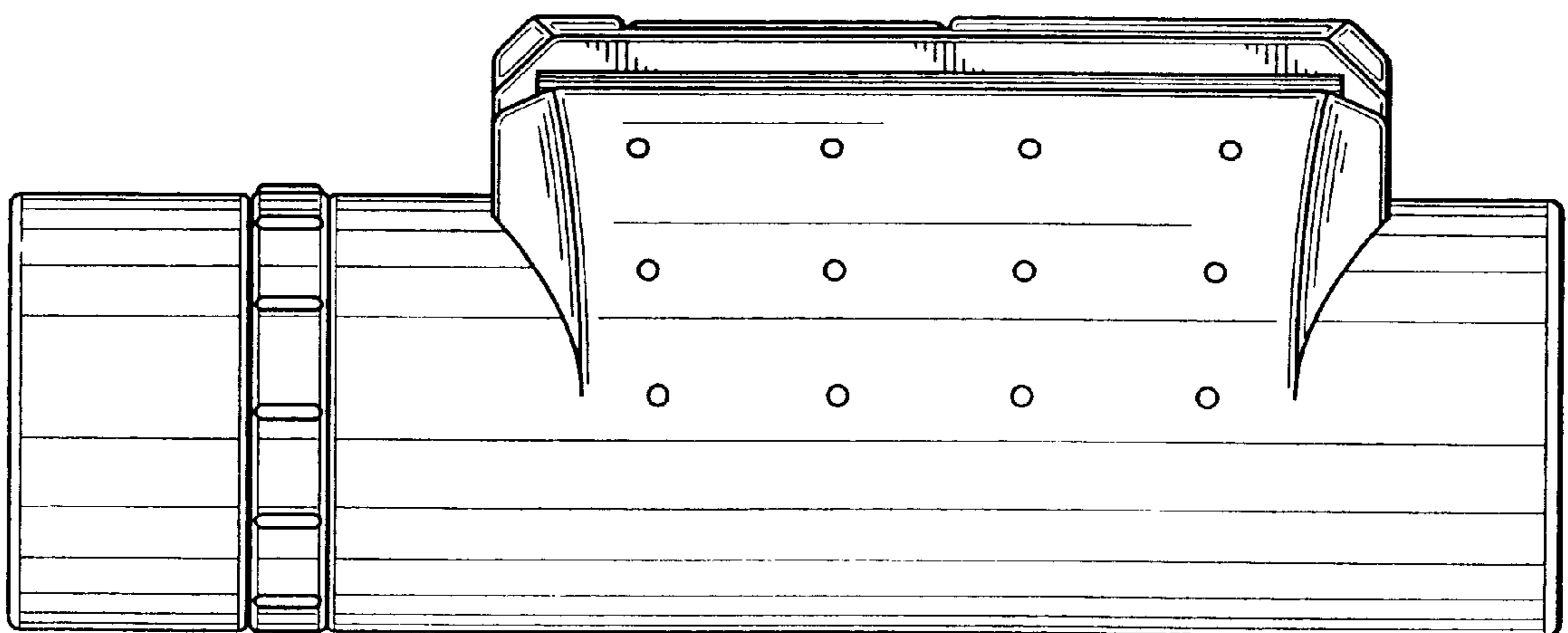


FIG. 12

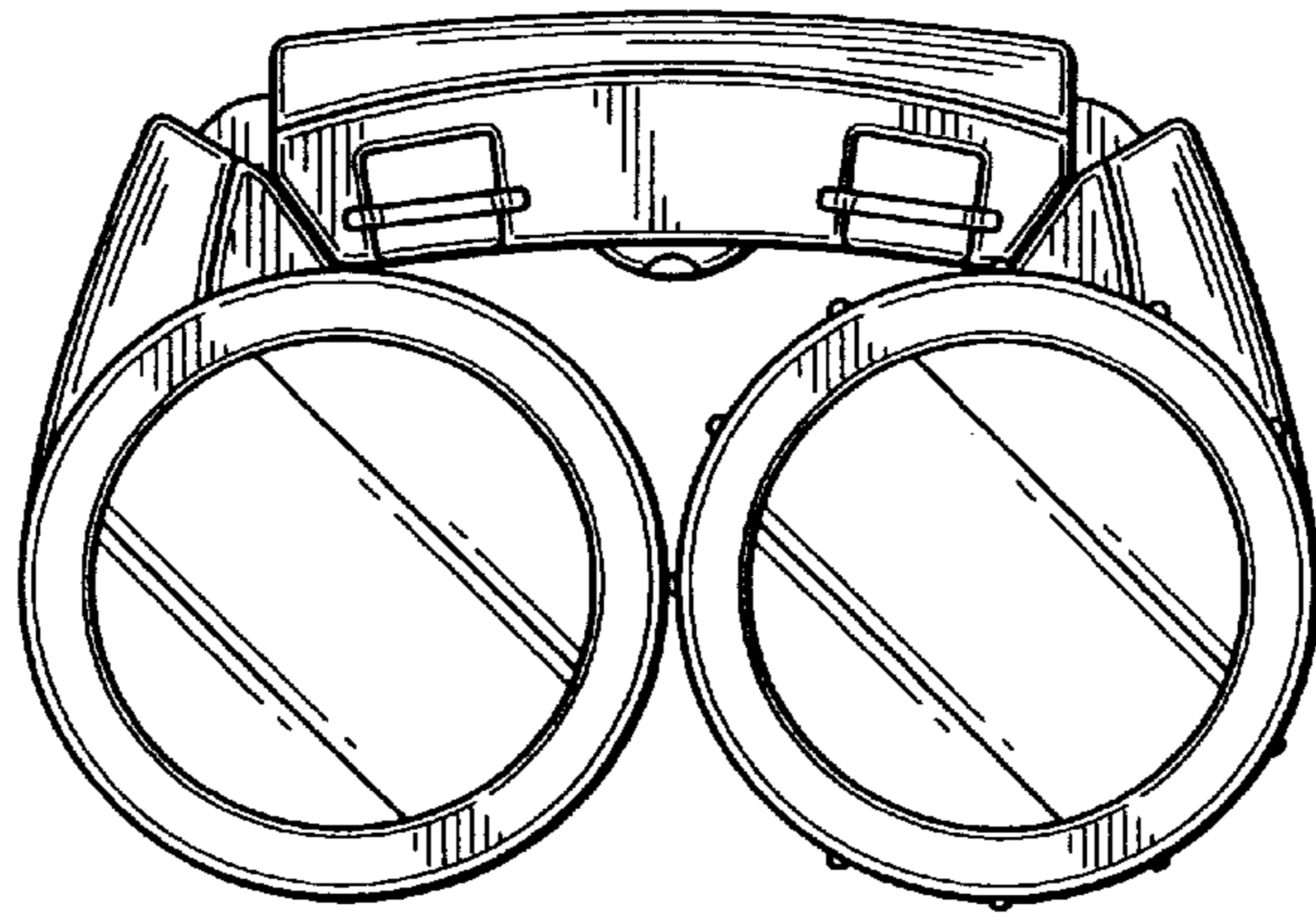


FIG. 13

