



US00D412920S

United States Patent [19]

[11] **Patent Number: Des. 412,920**

Diebel et al.

[45] **Date of Patent: ** Aug. 17, 1999**

[54] **TELESCOPE MOUNT**

4,682,091 7/1987 Krewalk et al. 318/685
4,764,881 8/1988 Gagnon 359/430 X

[75] Inventors: **John C. Diebel**, Newport Beach; **John E. Smith**, Mission Viejo; **Clair A. Samhammer**, Orange; **David M. Hines**, Santa Ana, all of Calif.

Primary Examiner—Paula A. Mortimer
Attorney, Agent, or Firm—Christie, Parker & Hale, LLP

[73] Assignee: **Meade Instruments Corp.**, Irvine, Calif.

[57] **CLAIM**

The ornamental design for a telescope mount, as shown and described.

[**] Term: **14 Years**

DESCRIPTION

[21] Appl. No.: **29/095,560**

FIG. 1 is a right perspective view of the telescope mount, showing our new design;
FIG. 2 is a left perspective view thereof;
FIG. 3 is a side elevational view of the right side thereof;
FIG. 4 is a side elevational view of the left side thereof;
FIG. 5 is a back elevational view thereof;
FIG. 6 is a front elevational view thereof;
FIG. 7 is a top plan view thereof; and,
FIG. 8 is a bottom view thereof.

[22] Filed: **Oct. 26, 1998**

[51] **LOC (6) Cl.** **16-06**

[52] **U.S. Cl.** **D16/132**

[58] **Field of Search** D16/130, 132,
D16/136; 359/399, 430, 242; 318/685

The broken line showing of the tripod legs in FIGS. 1–8, the broken line showing of the telescope tube in FIGS. 3 and 4, the broken line showing of the connector panel in FIGS. 1, 3 and 5–7 and the broken line showing of internal mount structures in FIG. 8 are for illustrative purposes only and form no part of the claimed design.

[56] **References Cited**

U.S. PATENT DOCUMENTS

D. 175,388	8/1955	Braymer	D16/132
D. 268,768	4/1983	Melsheimer et al.	D16/132
D. 289,057	3/1987	Huckenbeck	D16/132
D. 392,657	3/1998	Diebel et al.	D16/132
3,324,758	6/1967	Rogers, Jr.	D16/132

1 Claim, 8 Drawing Sheets

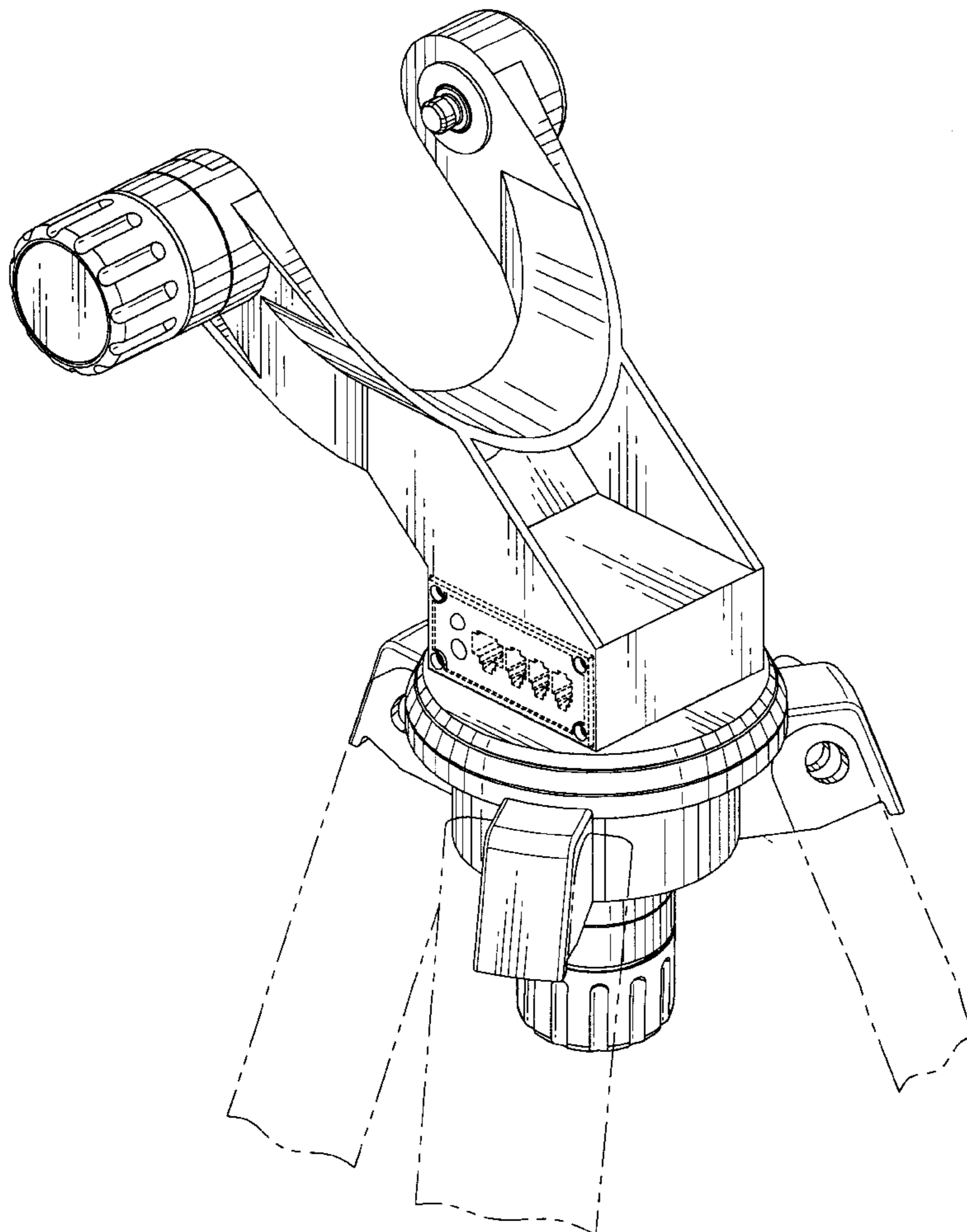


FIG. 1

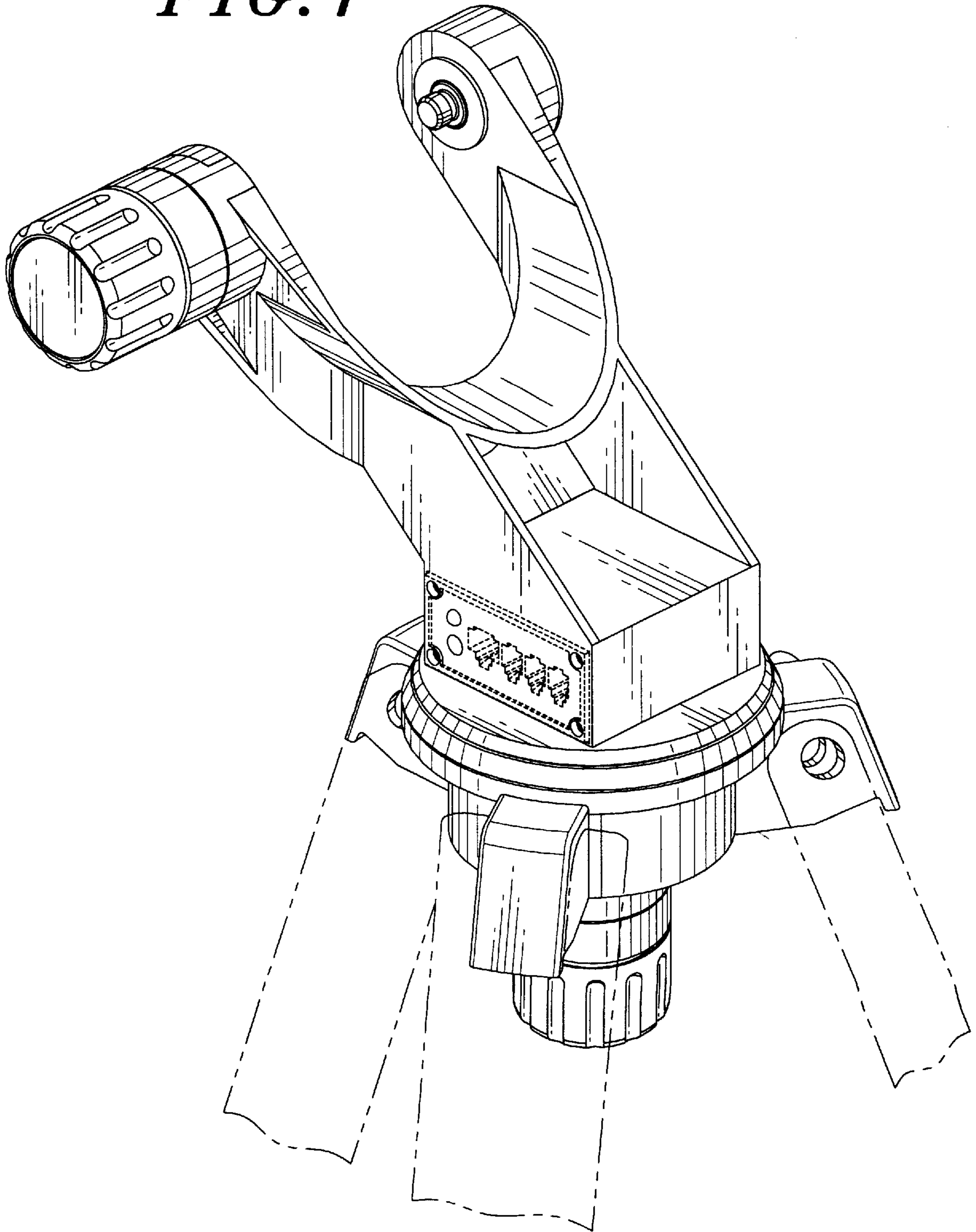


FIG. 2

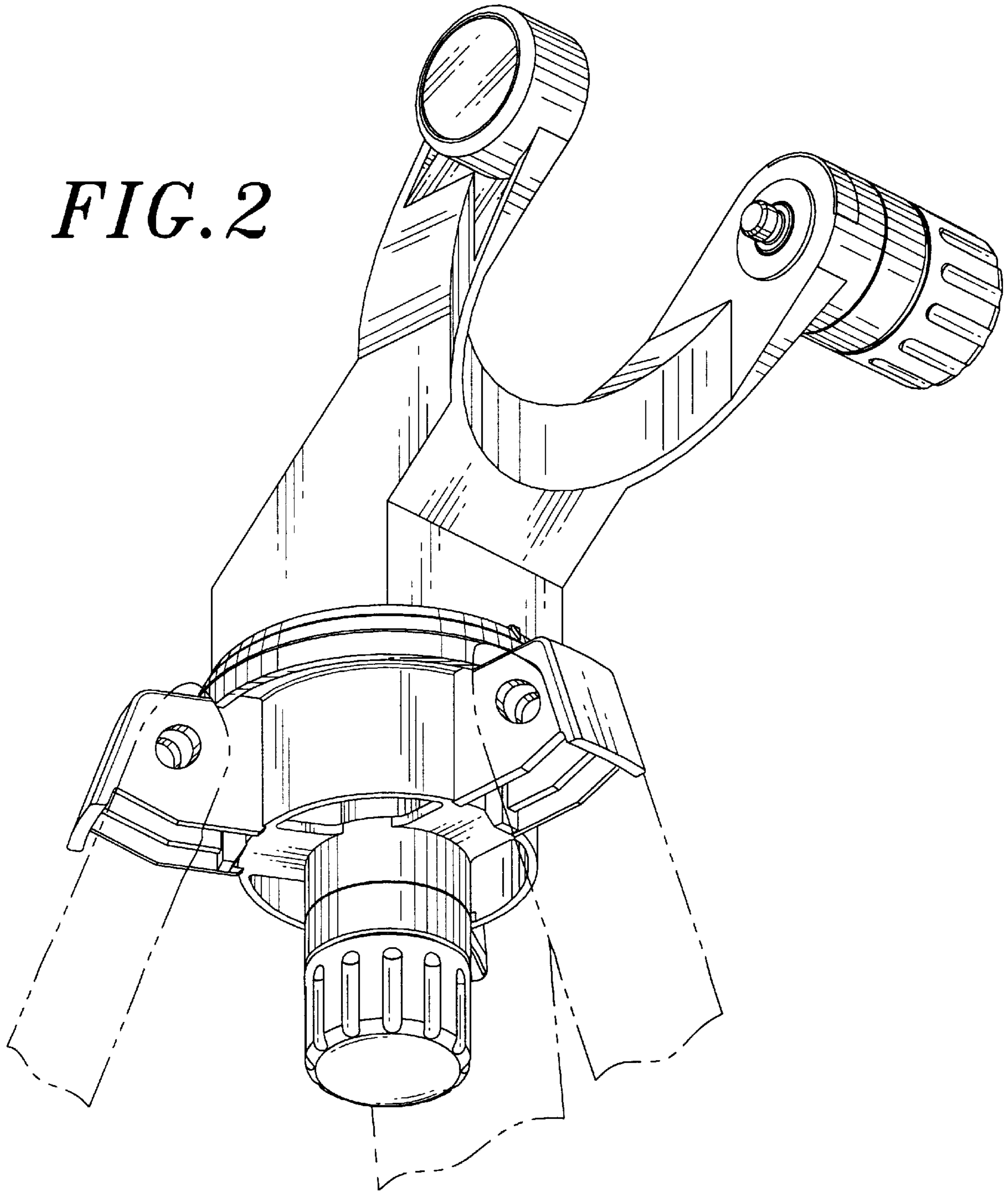


FIG. 3

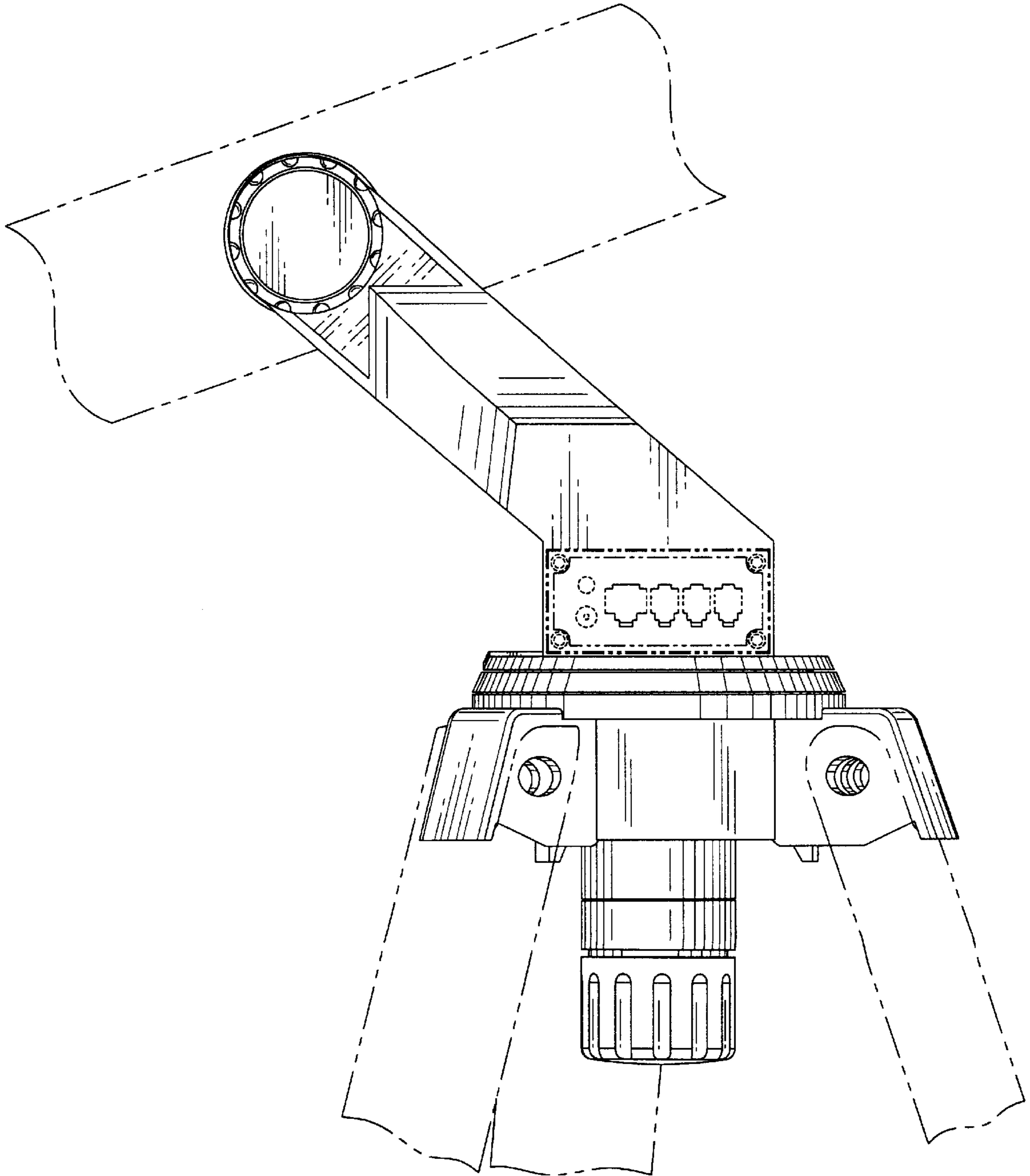


FIG. 4

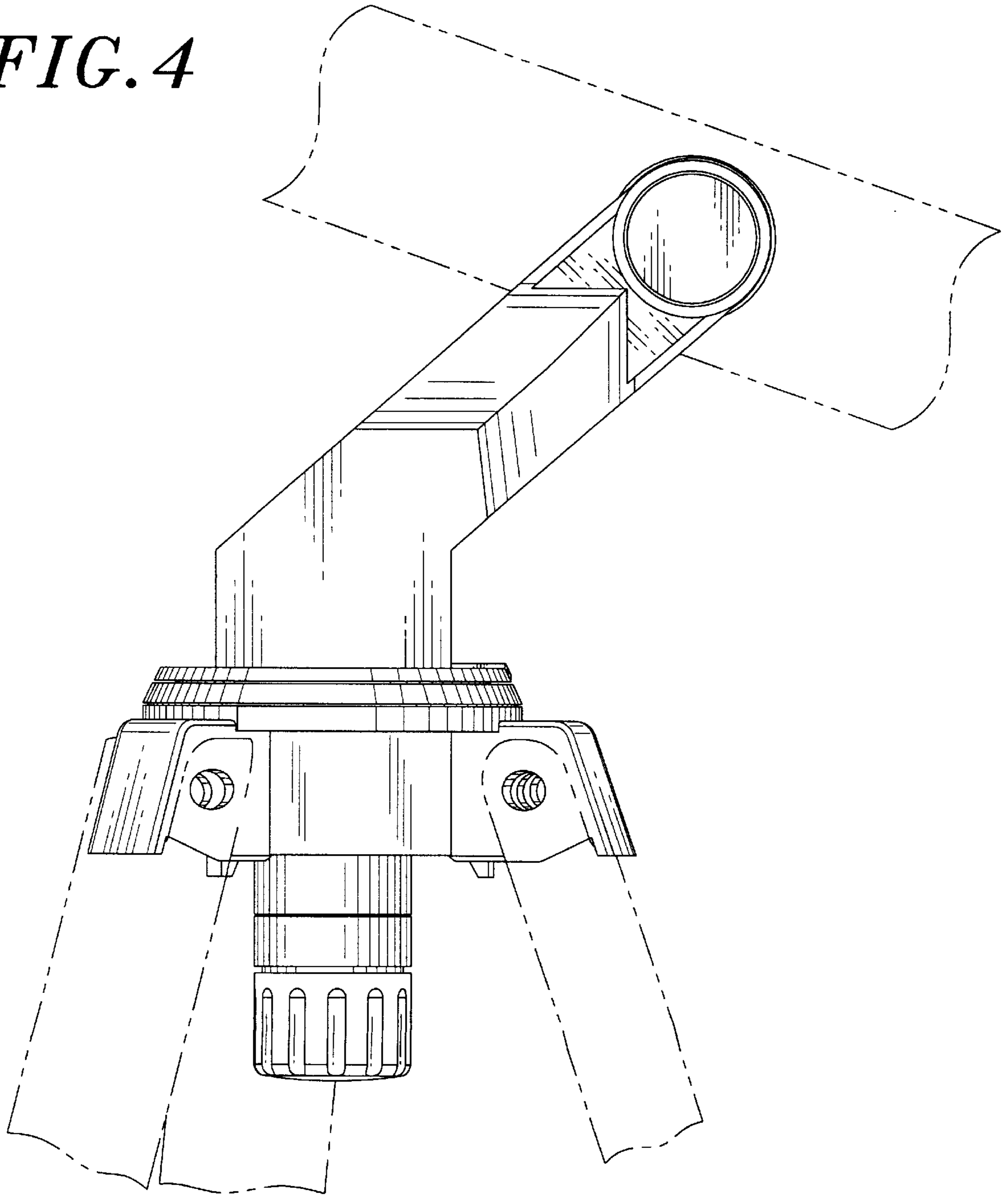


FIG. 5

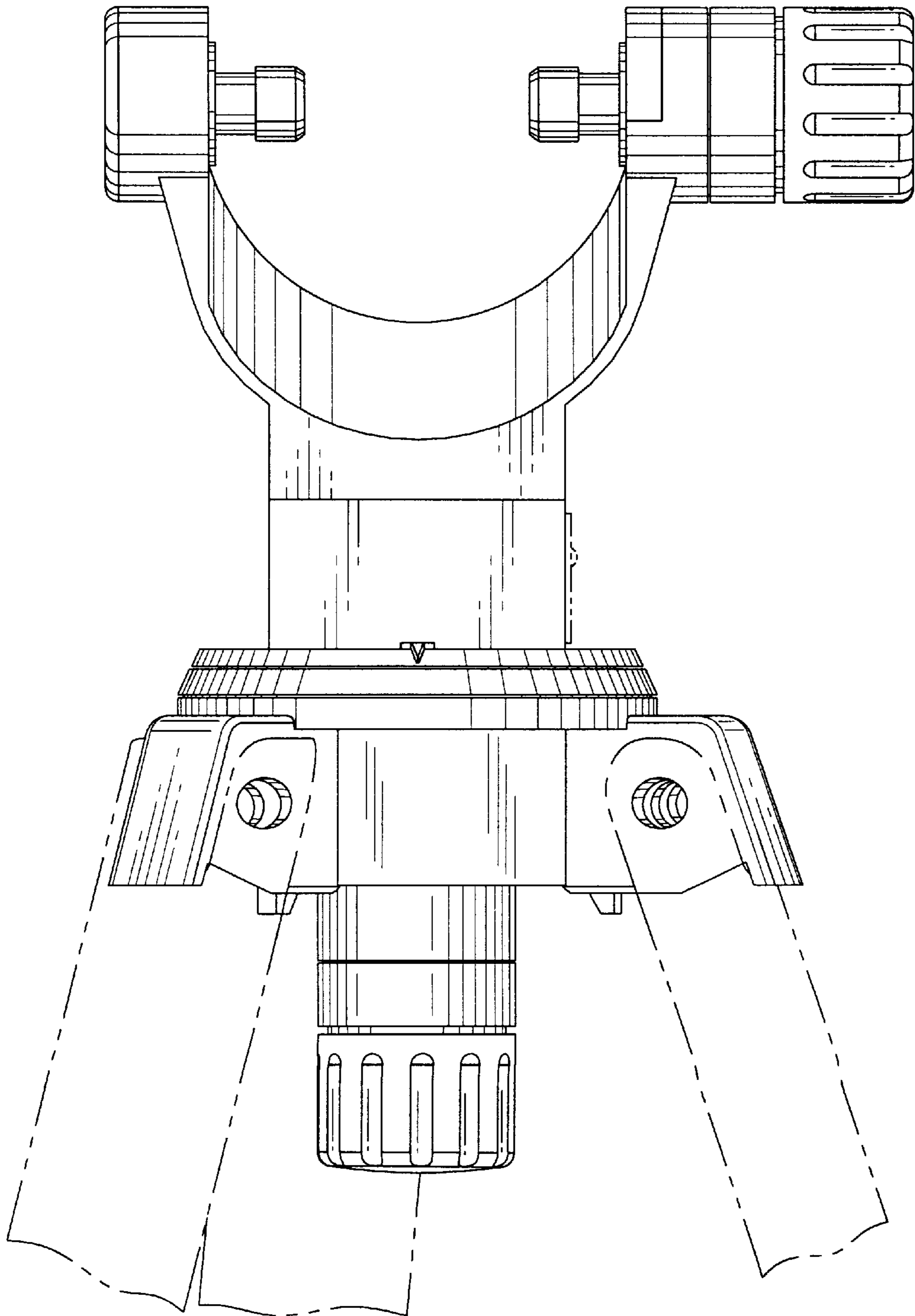


FIG. 6

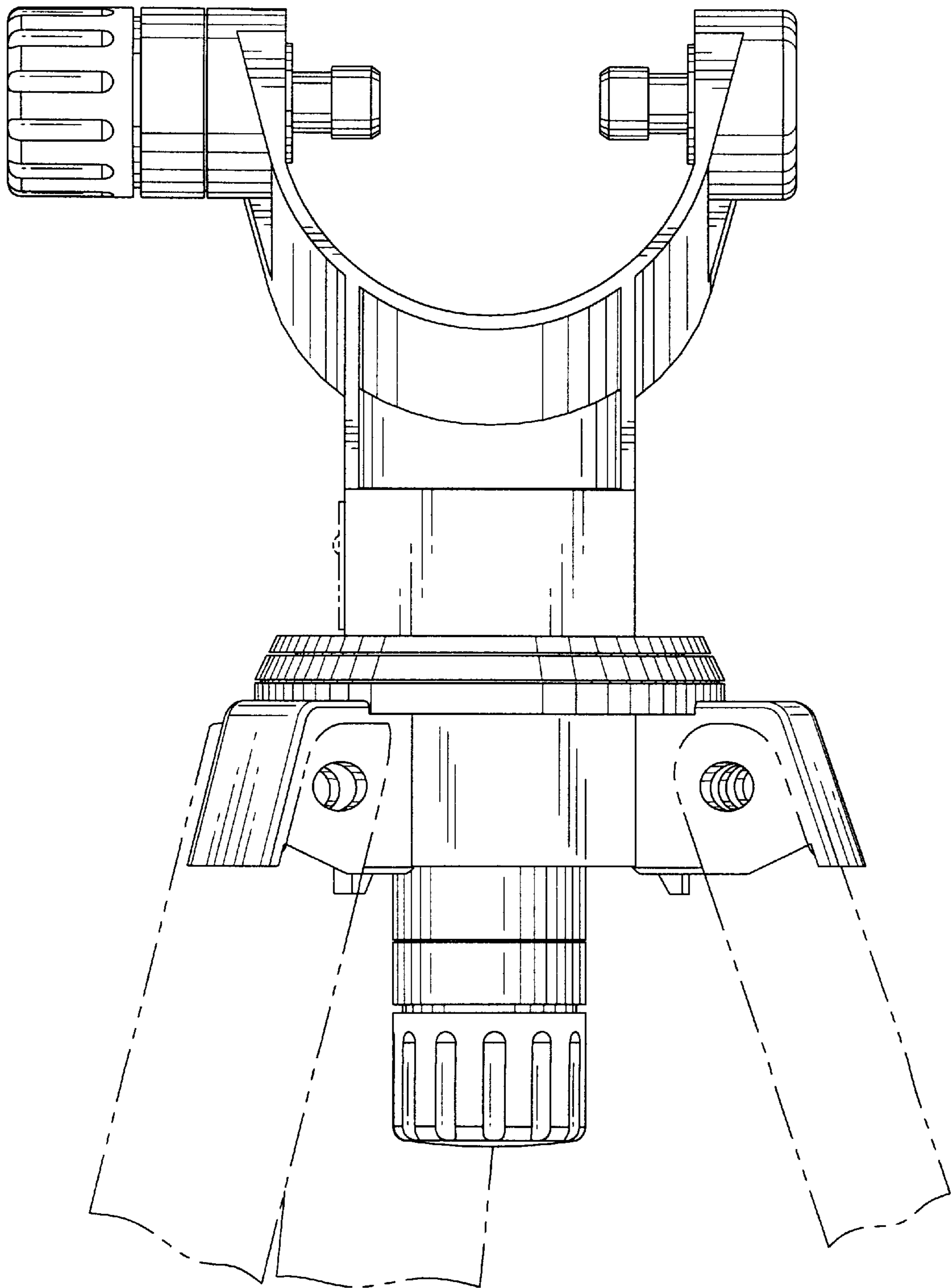


FIG. 7

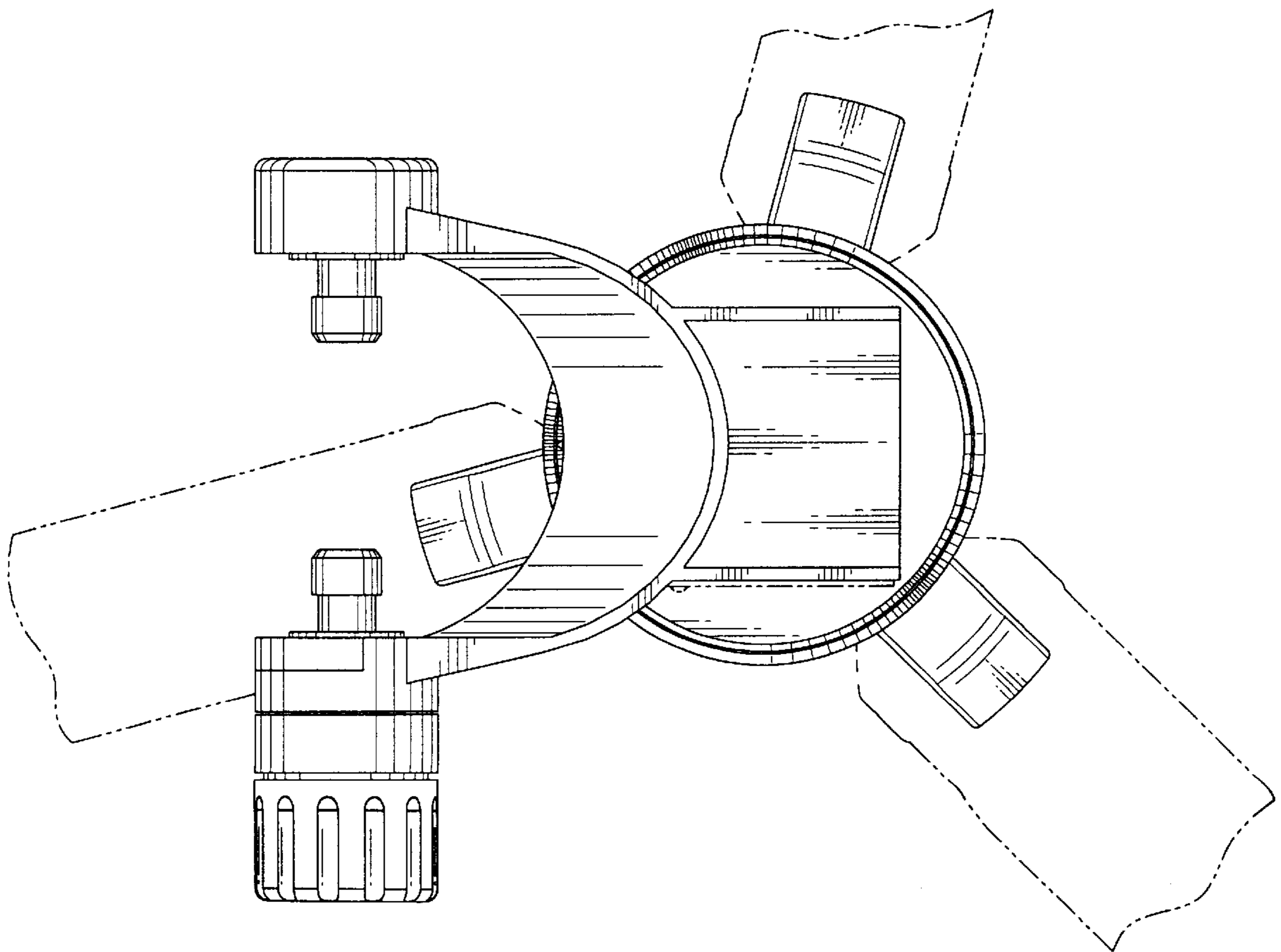


FIG. 8

