



US00D412919S

# United States Patent [19] Pombo

[11] **Patent Number: Des. 412,919**

[45] **Date of Patent: \*\* Aug. 17, 1999**

[54] **MONOCULAR VIEWER**

5,179,735 1/1993 Thomanek ..... 2/6.2  
5,786,932 7/1998 Pniel ..... 359/409

[75] Inventor: **Stephen A. Pombo**, Campbell, Calif.

[73] Assignee: **Kopin Corporation**, Taunton, Mass.

[\*\*] Term: **14 Years**

*Primary Examiner*—Paula A. Mortimer  
*Attorney, Agent, or Firm*—Hamilton, Brook, Smith and Reynolds, P.C.

[21] Appl. No.: **29/094,761**

[22] Filed: **Oct. 8, 1998**

[57] **CLAIM**

The ornamental design of the monocular viewer, as shown and described.

[51] **LOC (6) Cl.** ..... **16-06**

[52] **U.S. Cl.** ..... **D16/132**

[58] **Field of Search** ..... D16/130, 132,  
D16/136; 359/367, 407, 815, 600; 2/6.2,  
422

**DESCRIPTION**

FIG. 1 is a front right perspective view of a molecular viewer showing the new design;  
FIG. 2 is a right view of the monocular viewer;  
FIG. 3 is a top view of the monocular viewer;  
FIG. 4 is a bottom view of the monocular viewer;  
FIG. 5 is a left side view of the monocular viewer;  
FIG. 6 is a front view of the monocular viewer; and,  
FIG. 7 is a rear view of the monocular.

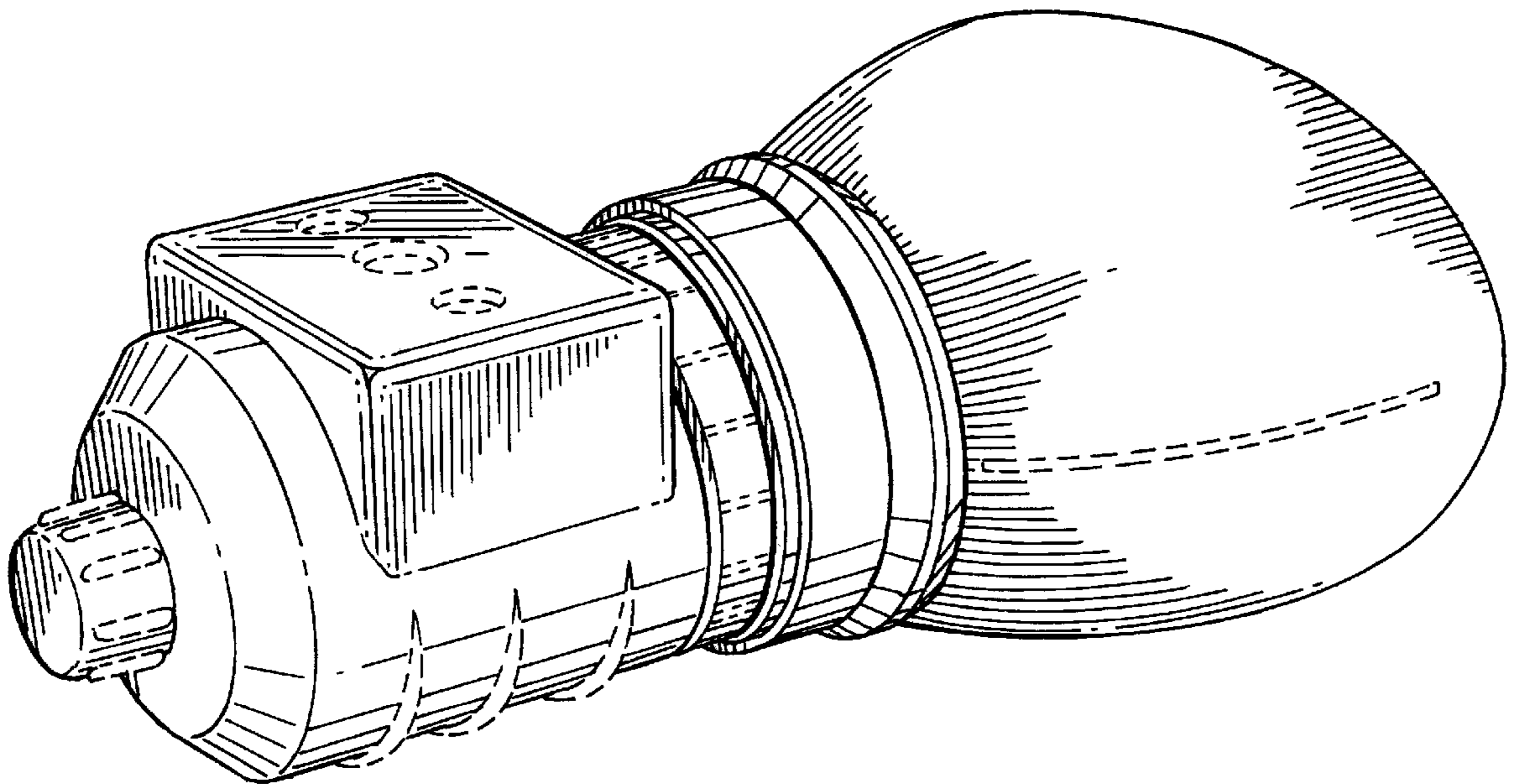
[56] **References Cited**

**U.S. PATENT DOCUMENTS**

D. 325,041 3/1992 Wissing et al. .... D16/132  
D. 351,397 10/1994 Dor ..... D16/130  
D. 369,613 5/1996 Palmer ..... D16/132  
D. 376,377 12/1996 Palmor ..... D16/136  
D. 380,222 6/1997 Bryant ..... D16/132  
4,670,912 6/1987 Hart ..... 2/422 X

The broken lines showing knurling, ribs, and connection ports are for illustration purposes only and form no part of the claimed design.

**1 Claim, 3 Drawing Sheets**



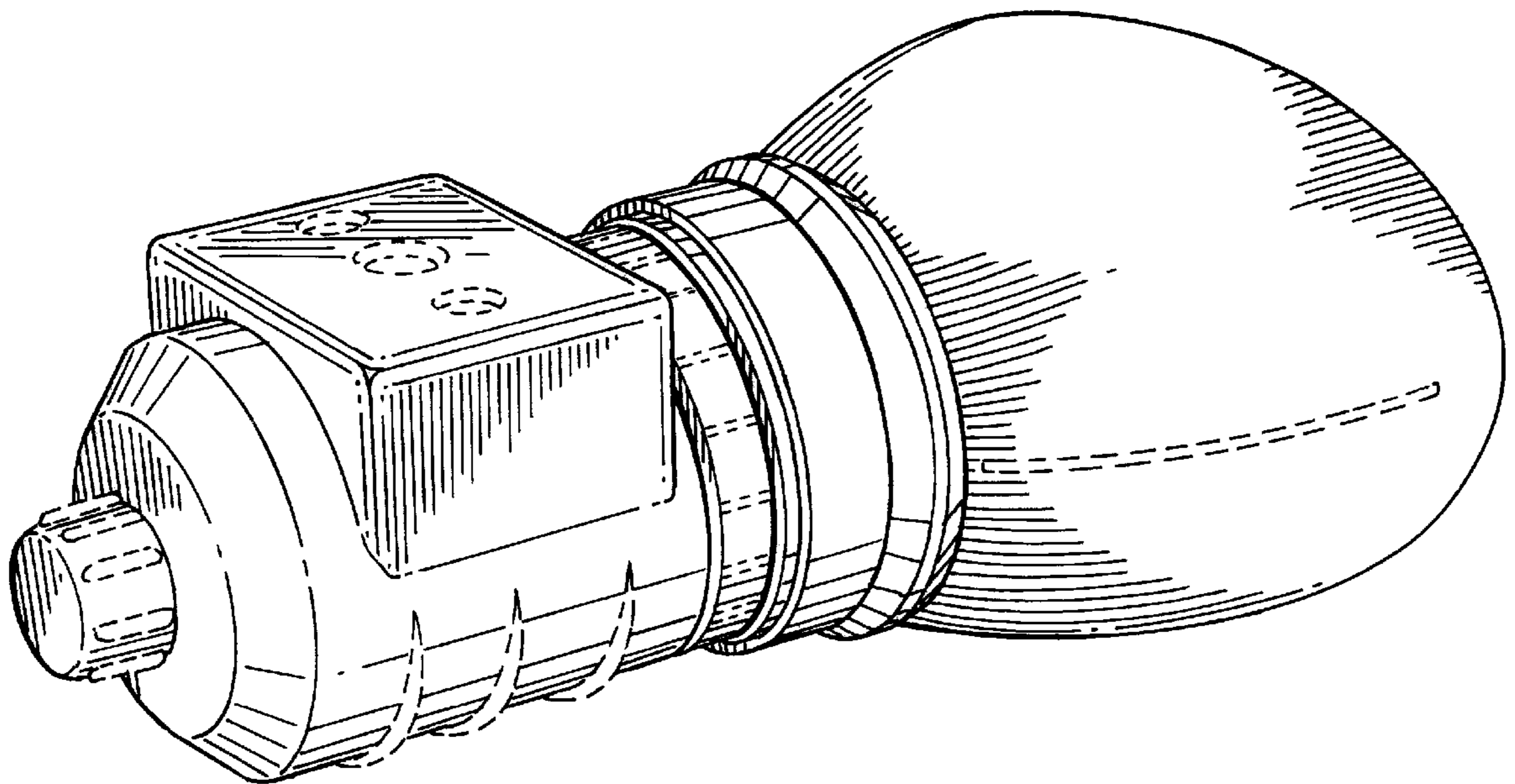


FIG. 1

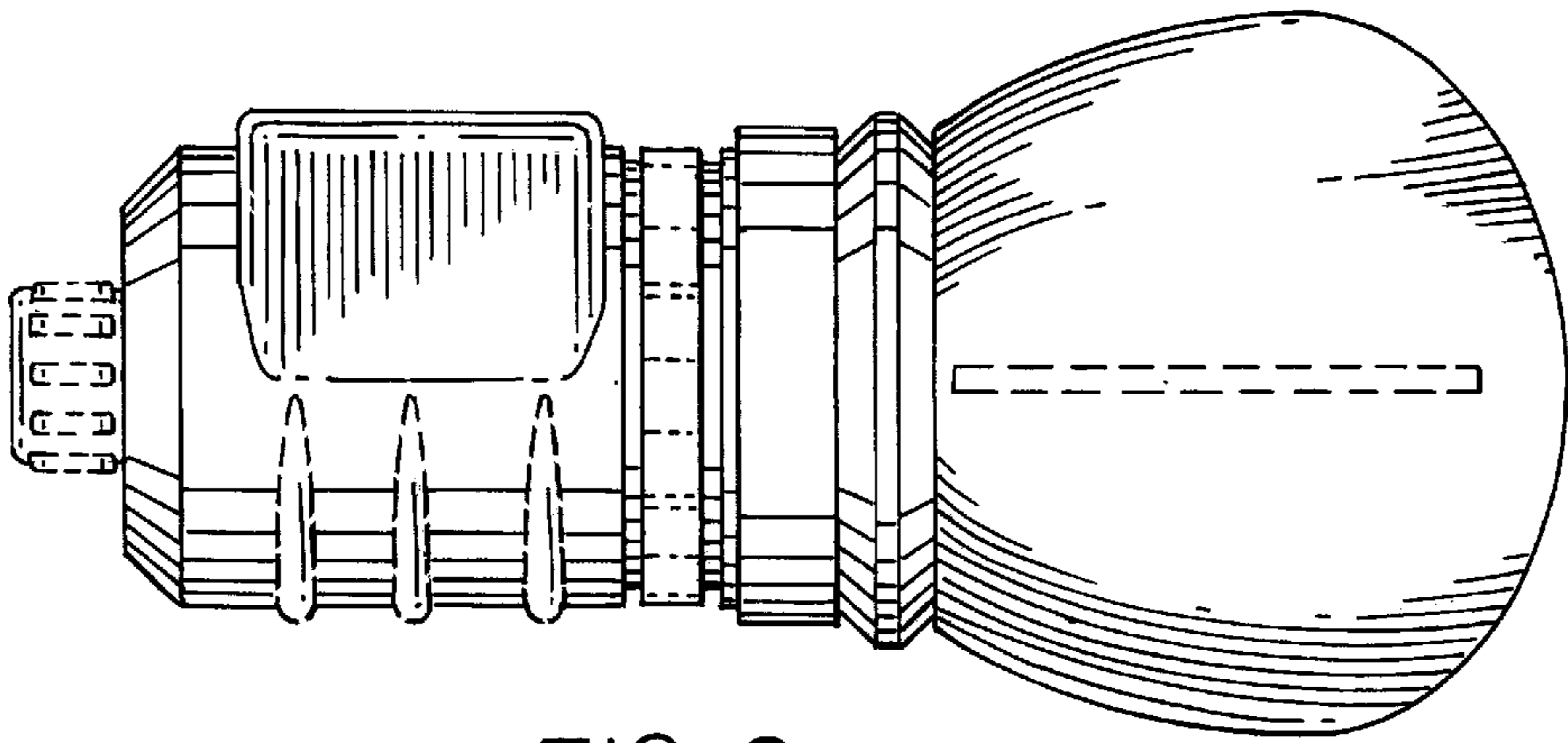


FIG. 2

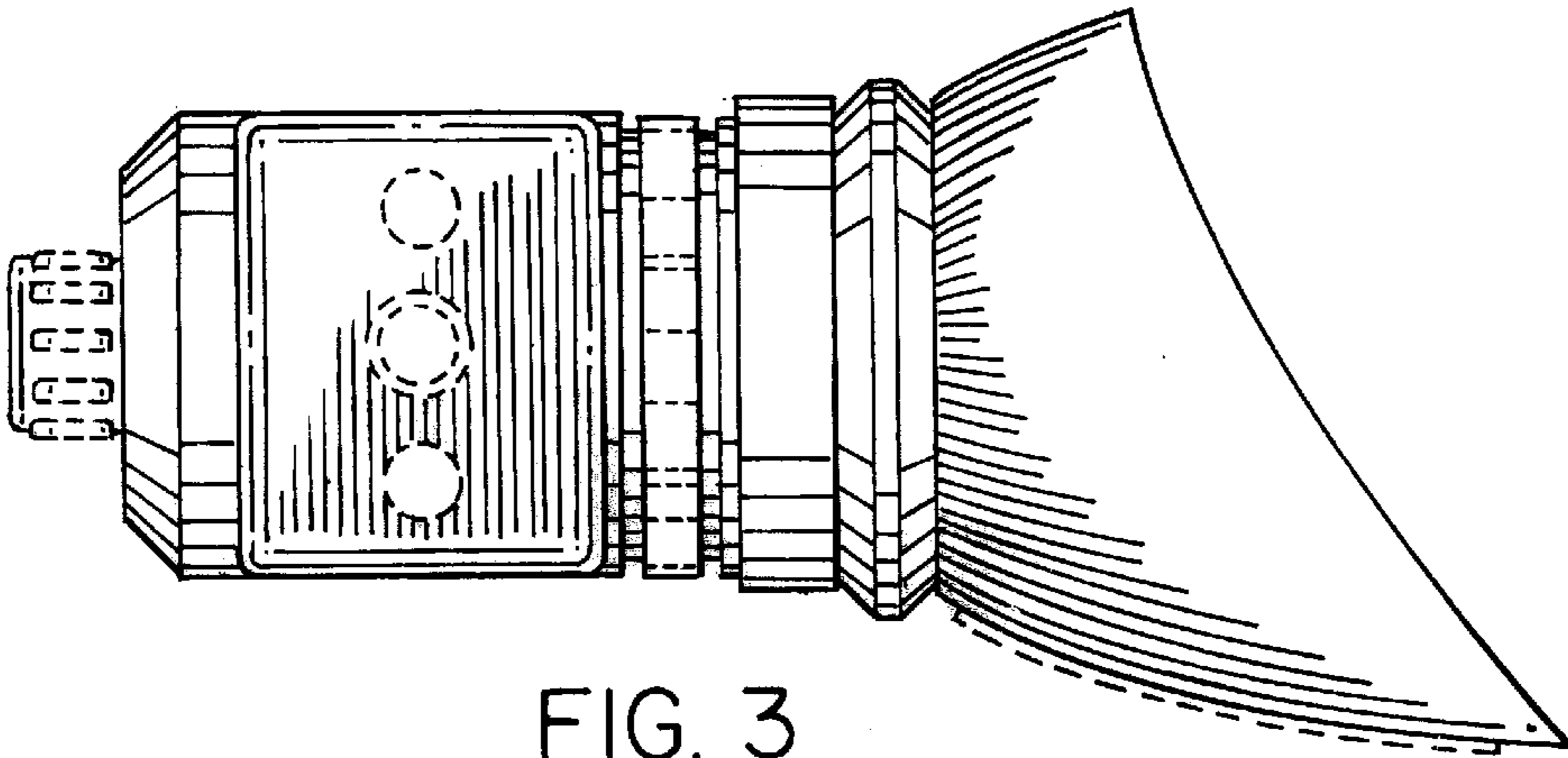


FIG. 3

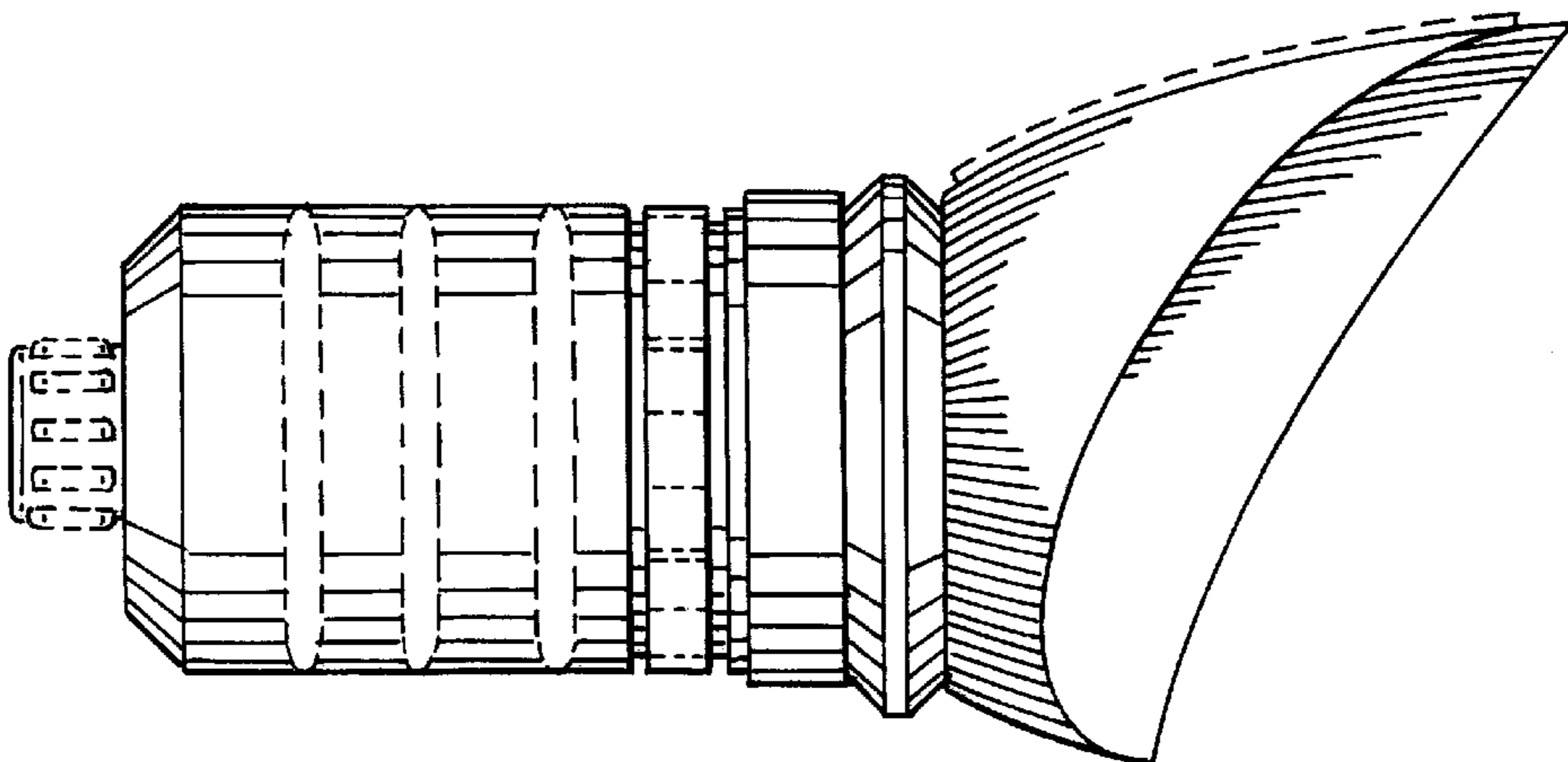


FIG. 4

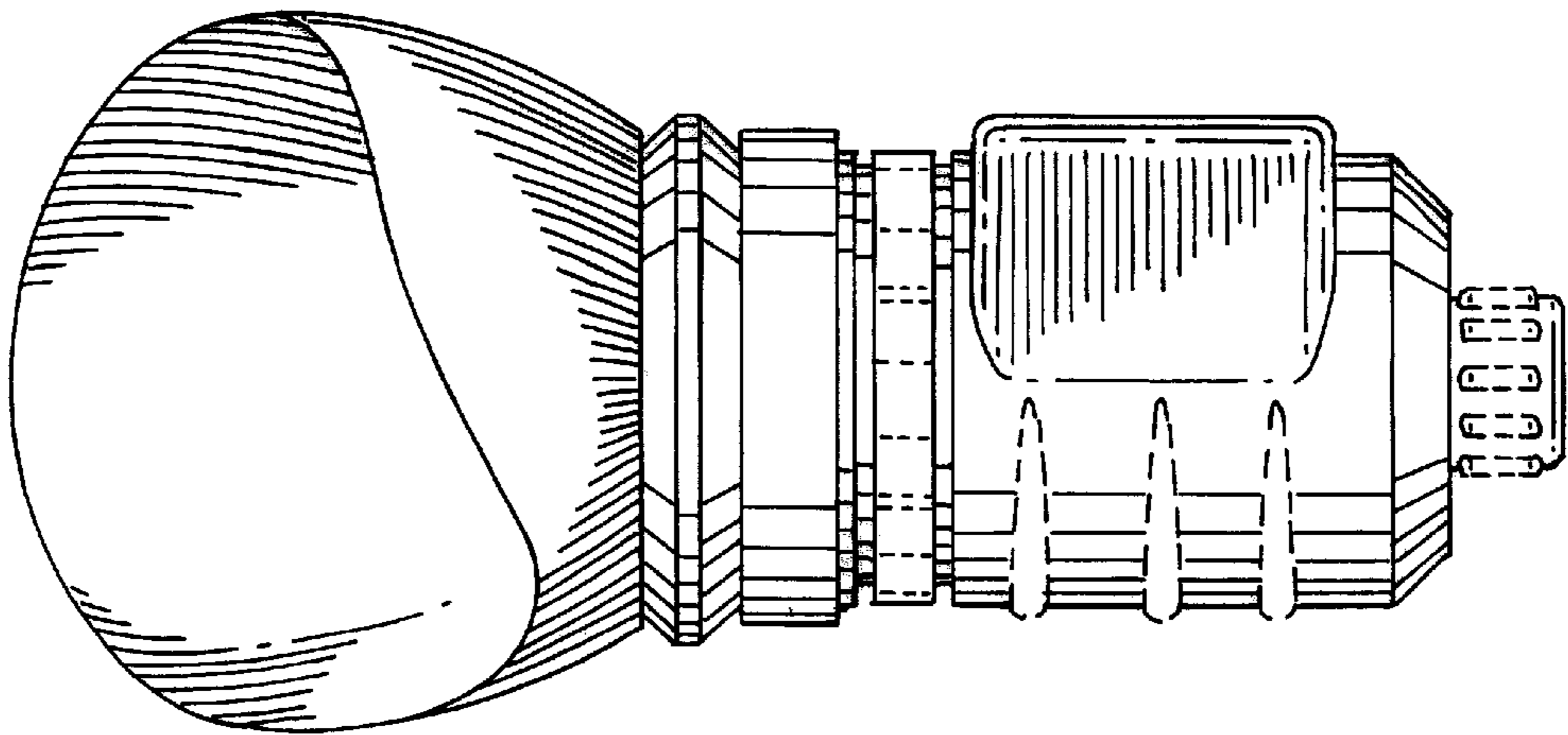


FIG. 5

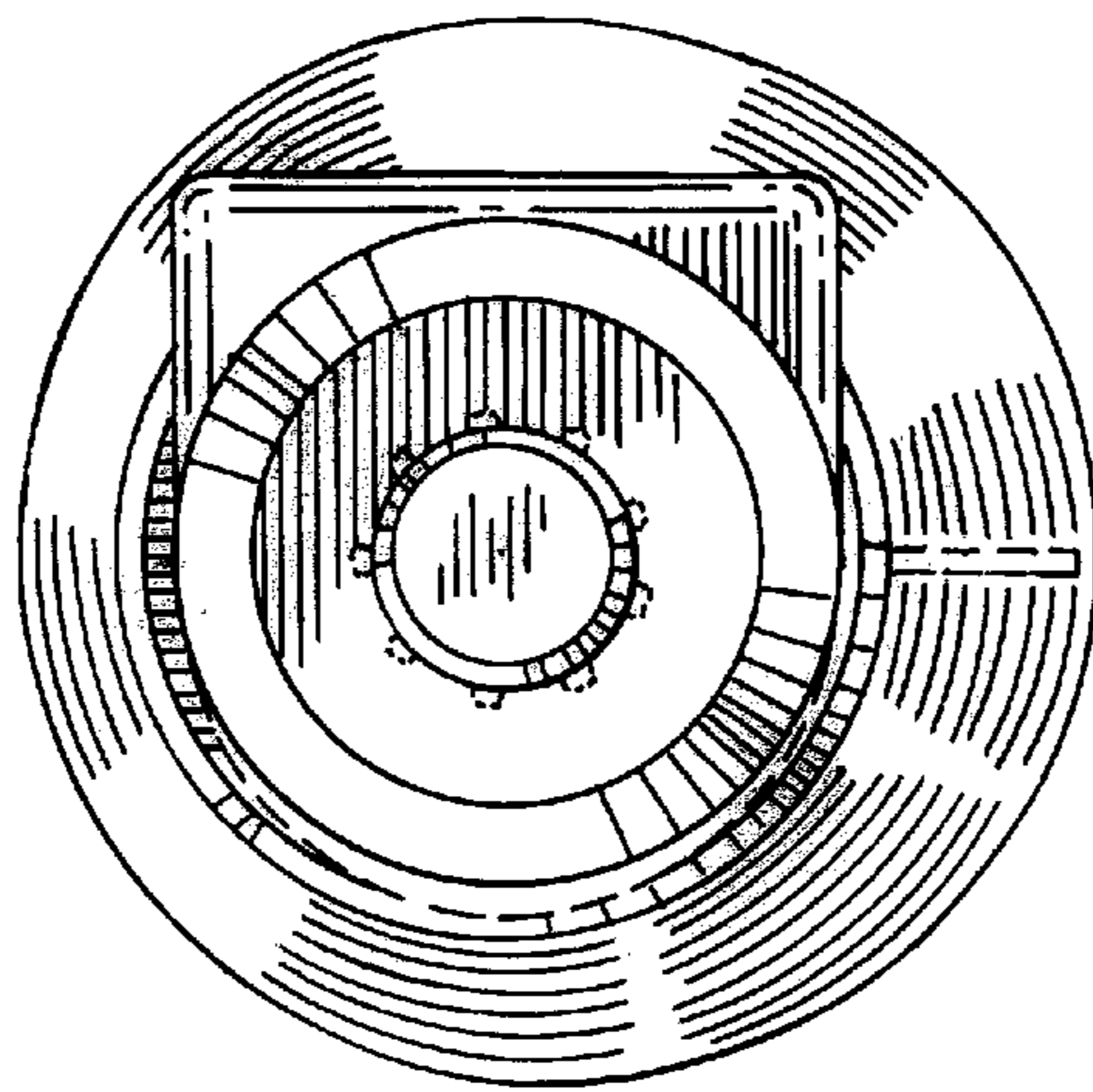


FIG. 6

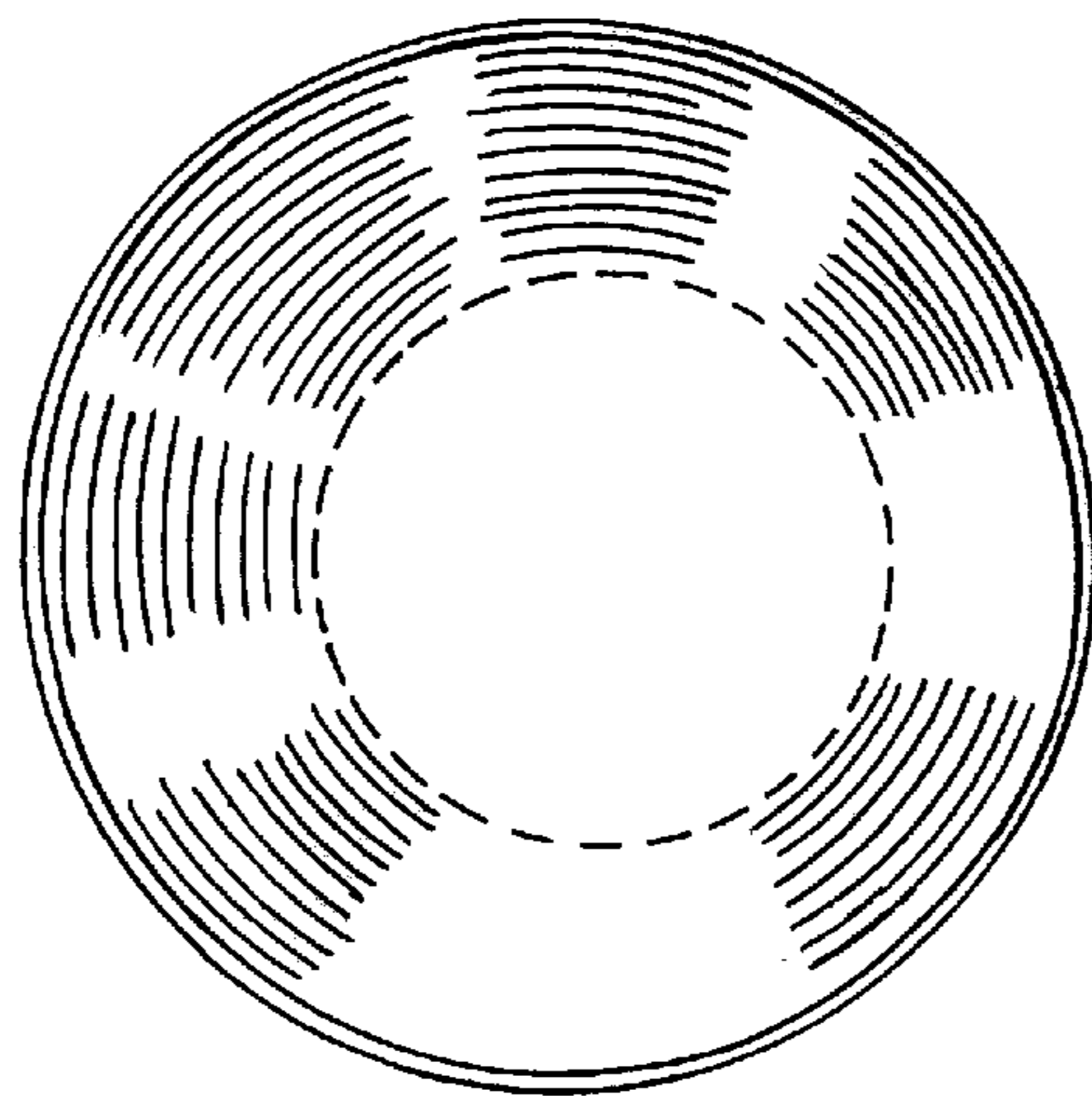


FIG. 7