



US00D412917S

United States Patent [19]

Nagai et al.

[11] **Patent Number: Des. 412,917**

[45] **Date of Patent: ** Aug. 17, 1999**

[54] **ELECTRIC ACTUATOR**

[75] Inventors: **Shigekazu Nagai**, Tokyo; **Yousuke Shirai**, Ibaraki-ken, both of Japan

[73] Assignee: **SMC Kabushiki Kaisha**, Tokyo, Japan

[**] Term: **14 Years**

[21] Appl. No.: **29/086,598**

[22] Filed: **Apr. 16, 1998**

[30] **Foreign Application Priority Data**

Oct. 20, 1997 [JP] Japan 9-72065

[51] **LOC (6) Cl.** **15-09**

[52] **U.S. Cl.** **D15/199; D15/149**

[58] **Field of Search** **D15/199, 149; 74/89.15, 490.09; 310/20, 80**

[56] **References Cited**

U.S. PATENT DOCUMENTS

D. 360,424 7/1995 Bauer D15/199

Primary Examiner—Antoine Duval Davis
Attorney, Agent, or Firm—Frishauf, Holtz, Goodman, Langer & Chick, P.C.

[57] **CLAIM**

The ornamental design for an electric actuator, as shown and described.

DESCRIPTION

FIG. 1 is a top, front and left side perspective view of an electric actuator, showing our new design;

FIG. 2 is a top plan view thereof;

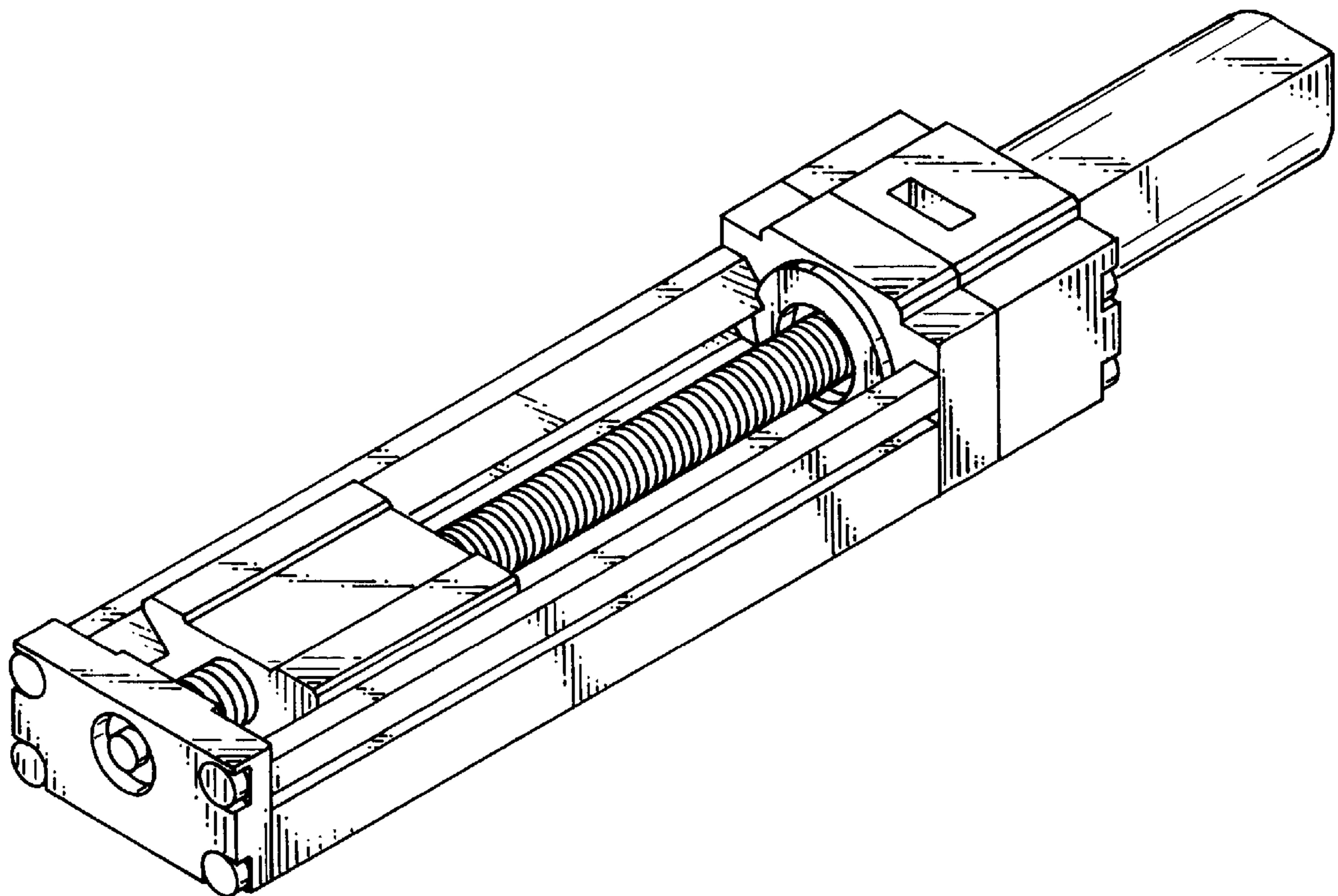
FIG. 3 is a front view thereof, the rear view being a mirror image of the front view shown;

FIG. 4 is a bottom plan view thereof;

FIG. 5 is a right side view thereof; and,

FIG. 6 is a left side view thereof.

1 Claim, 2 Drawing Sheets



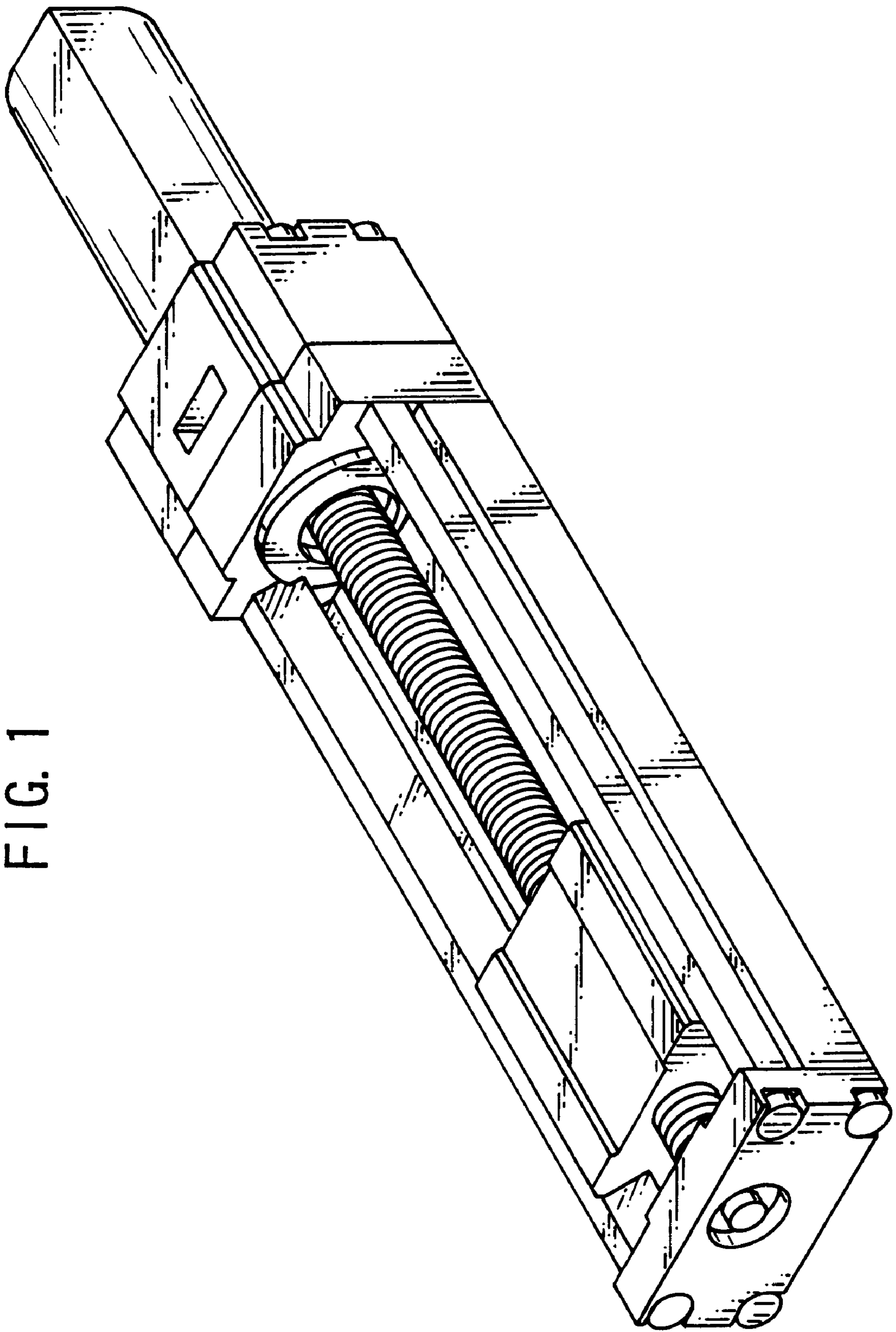


FIG. 1

FIG. 2

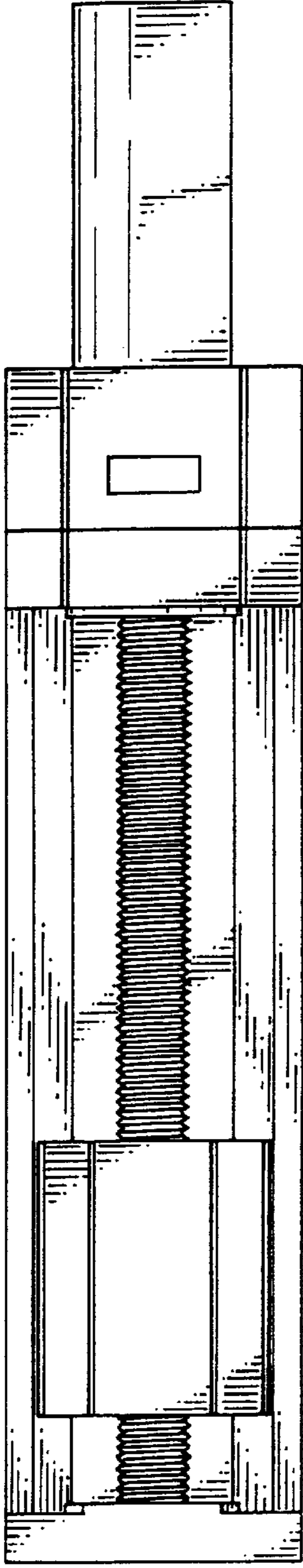


FIG. 3

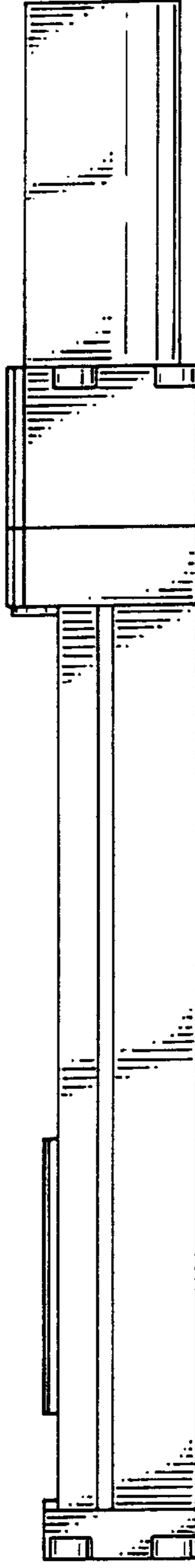


FIG. 4

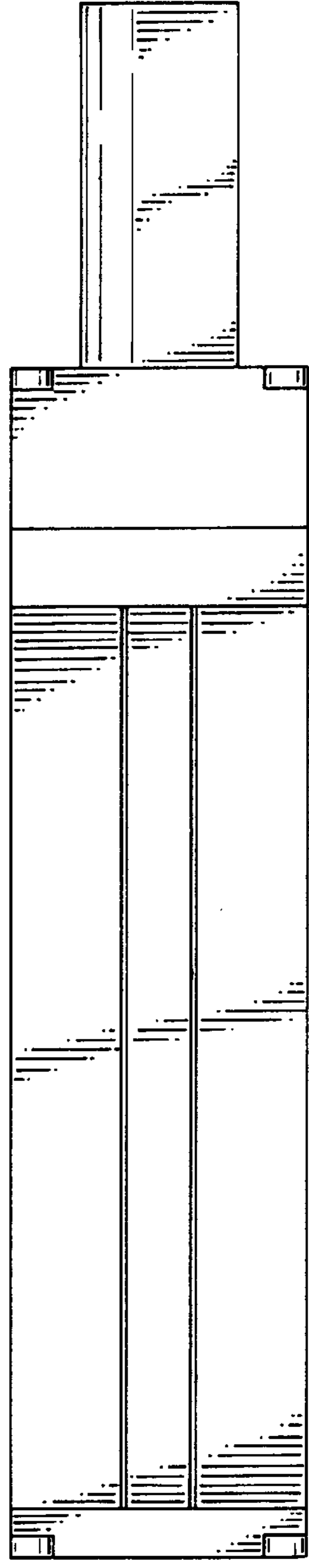


FIG. 5

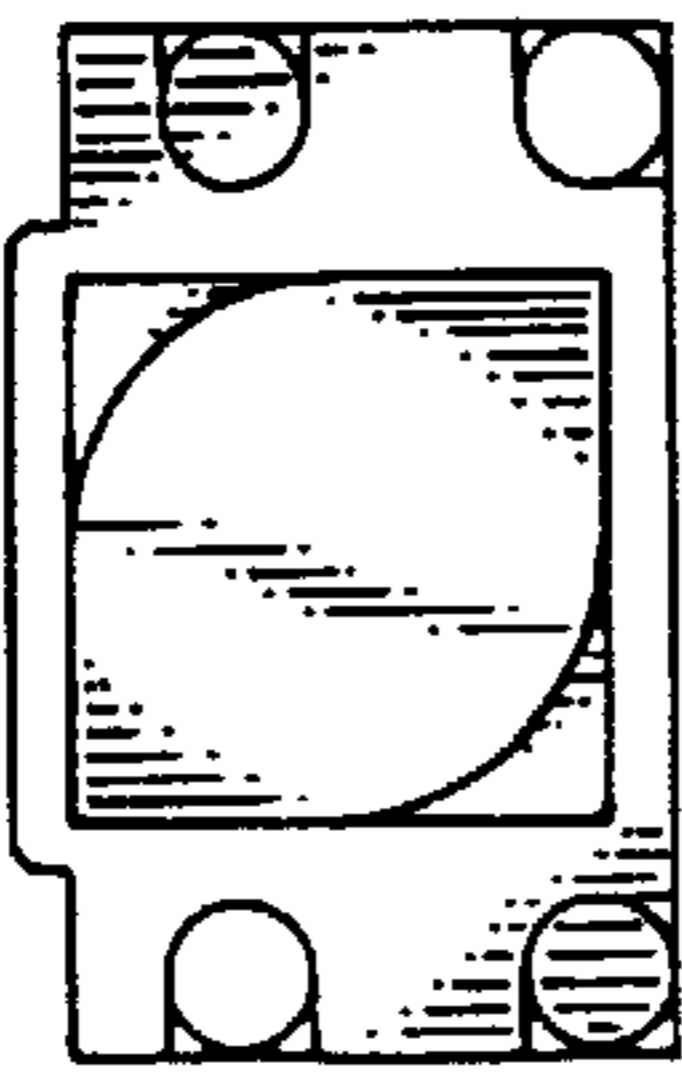


FIG. 6

