



US00D412914S

United States Patent [19]
Welsh

[11] **Patent Number: Des. 412,914**

[45] **Date of Patent: ** Aug. 17, 1999**

[54] **TOP ASSEMBLY FOR A PLANER**

OTHER PUBLICATIONS

[75] Inventor: **Robert P. Welsh**, Hunt Valley, Md.

Solid Nylon Hardware, the Ironmonger, circled handle, @1974, p. 5.

[73] Assignee: **Black & Decker Inc.**, Newark, Del.

[**] Term: **14 Years**

Primary Examiner—Antoine Duval Davis
Attorney, Agent, or Firm—Adan Ayala

[21] Appl. No.: **29/093,569**

[57] **CLAIM**

[22] Filed: **Sep. 14, 1998**

The ornamental design for a top assembly for a planer, as shown and described.

Related U.S. Application Data

DESCRIPTION

[63] Continuation of application No. 29/088,229, May 19, 1998, which is a continuation of application No. 29/081,850, Dec. 15, 1997, Pat. No. Des. 397,122, which is a continuation of application No. 29/065,049, Jan. 17, 1997, Pat. No. Des. 395,320, which is a continuation of application No. 29/062,168, Nov. 8, 1996, Pat. No. Des. 387,070.

FIG. 1 is a left side perspective view from the front of a top assembly for a planer showing my new design;
FIG. 2 is a rear elevational view of my design;
FIG. 3 is a front elevational view of my design;
FIG. 4 is a left elevational view of my design;
FIG. 5 is a right elevational view of my design; and,
FIG. 6 is a top plan view of my design.

[51] **LOC (6) Cl.** **15-09**

[52] **U.S. Cl.** **D15/127**

[58] **Field of Search** D15/124, 127;
144/130, 129; D8/300, 315-320

In the attached drawings, any broken line illustration is not part of the design sought to be patented.

[56] **References Cited**

U.S. PATENT DOCUMENTS

5,816,303 10/1998 Shadeck 144/130 X

1 Claim, 5 Drawing Sheets

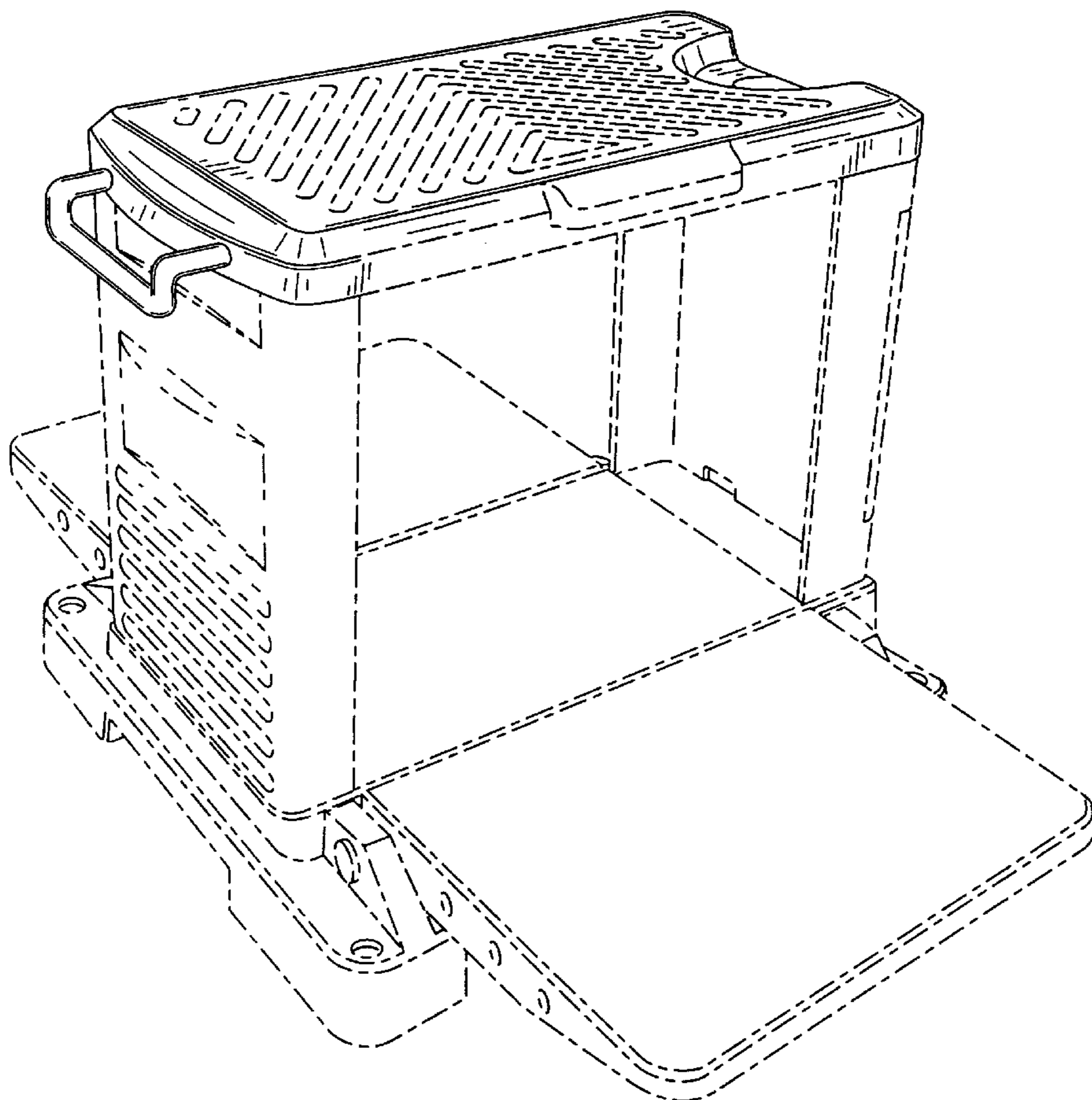


FIG. 1

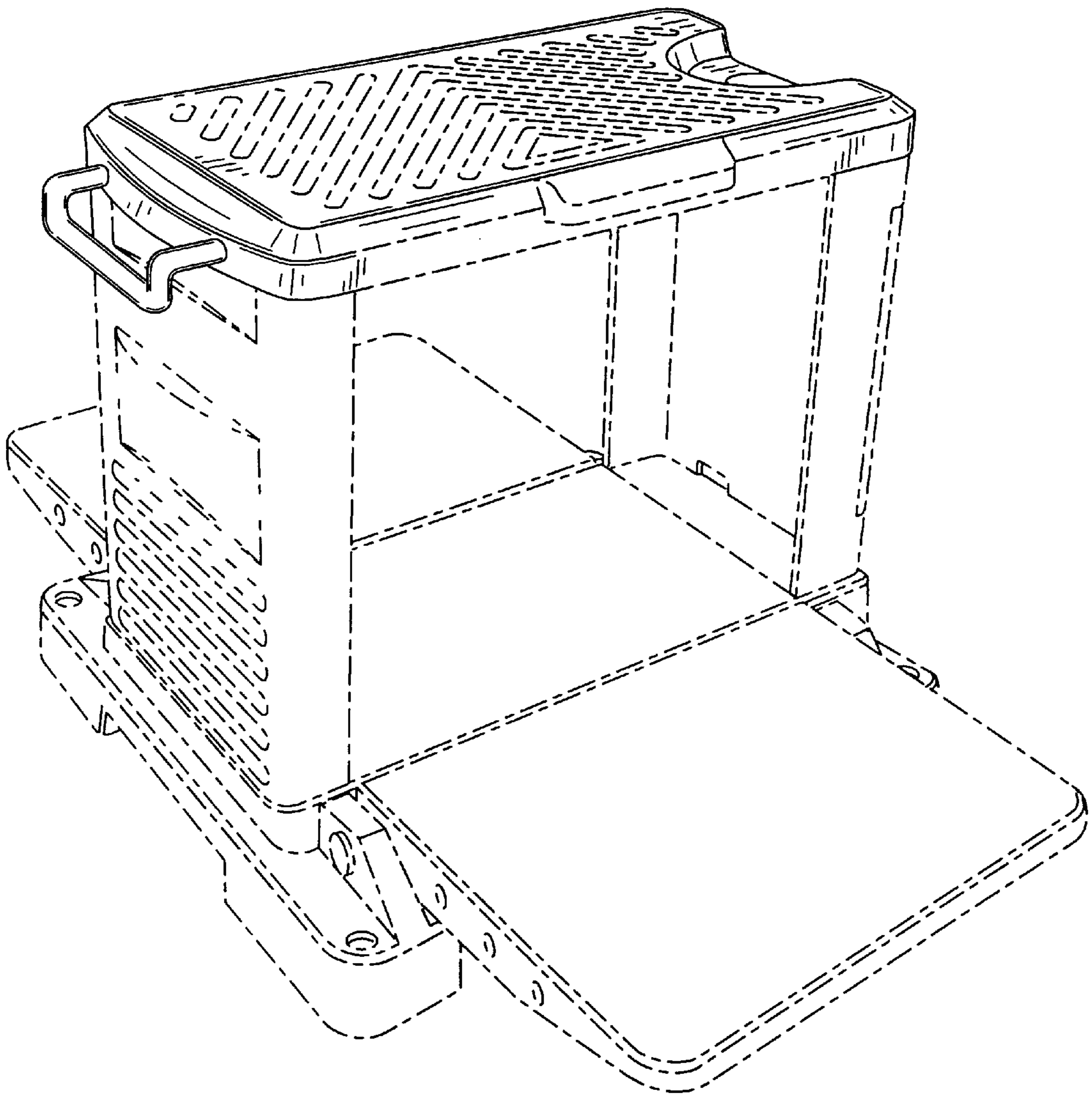


FIG. 2

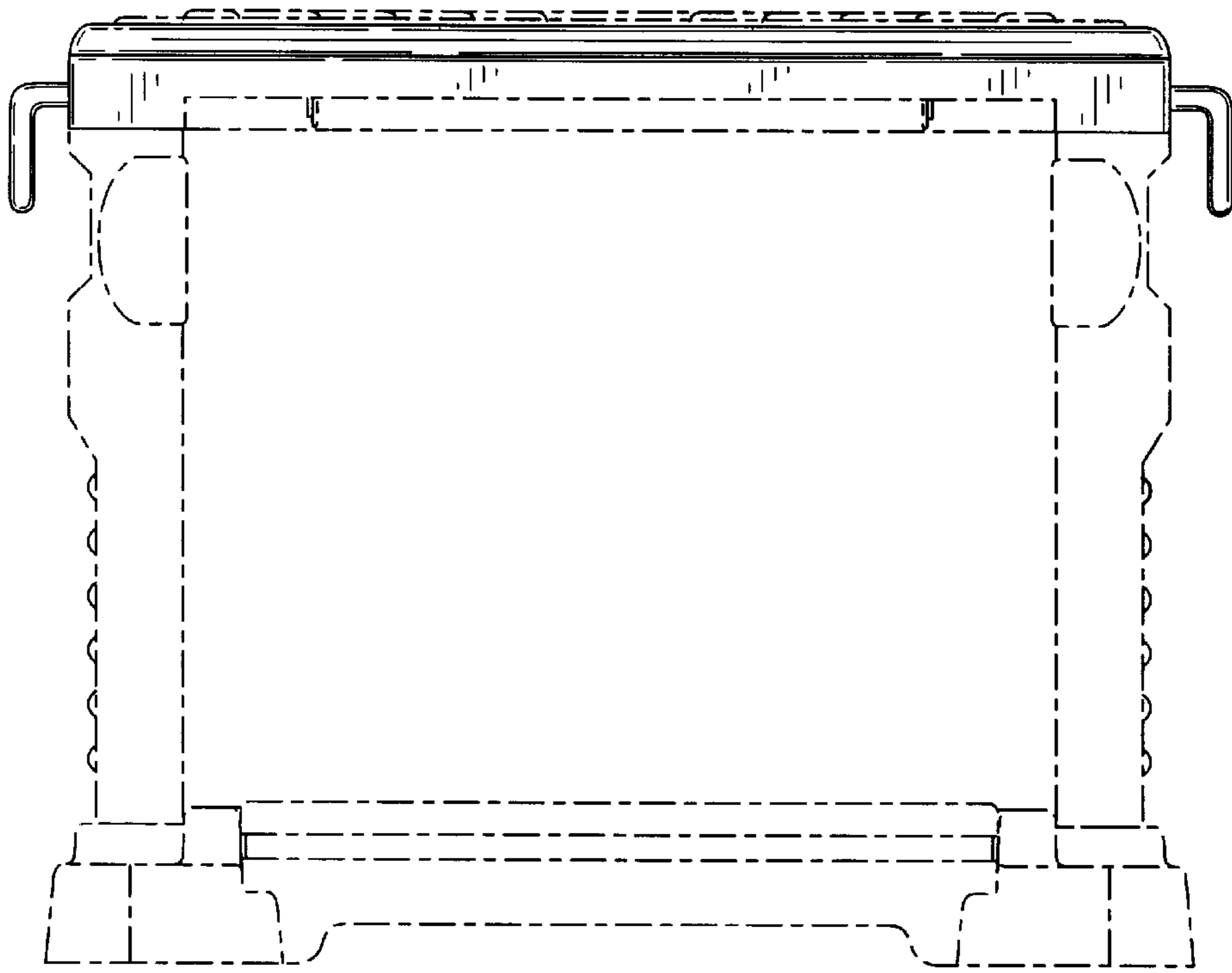


FIG. 3

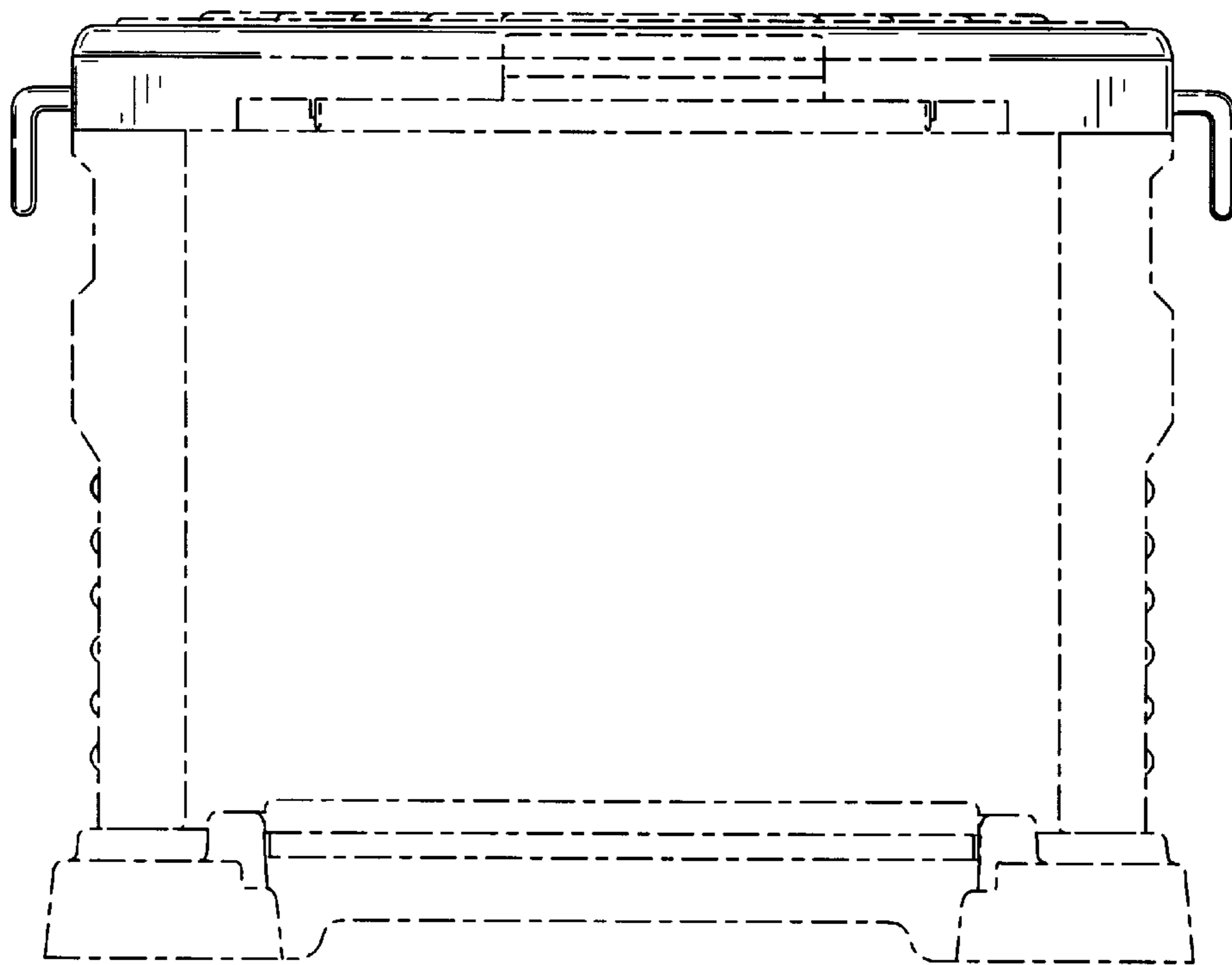


FIG. 4

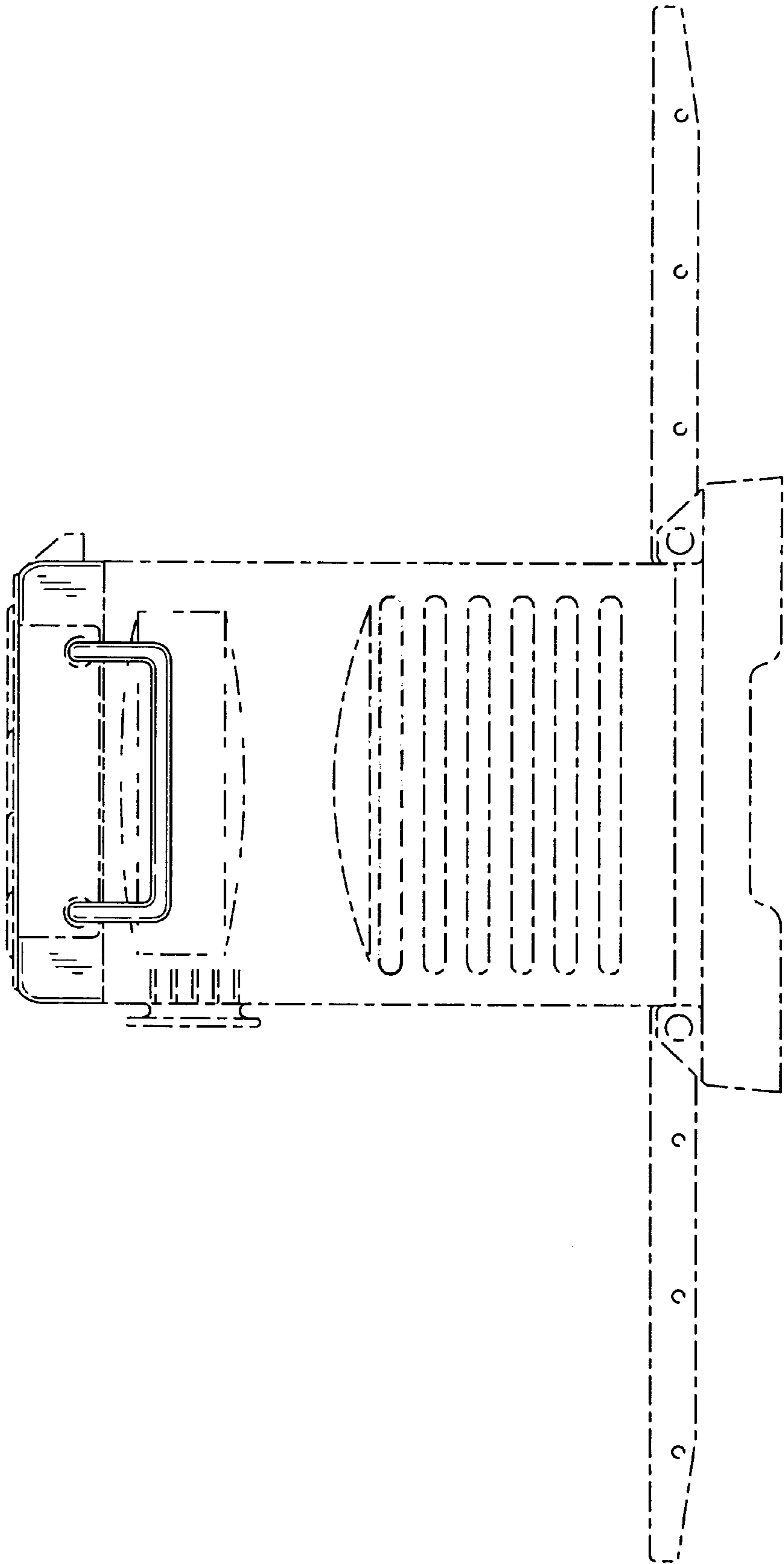


FIG. 5

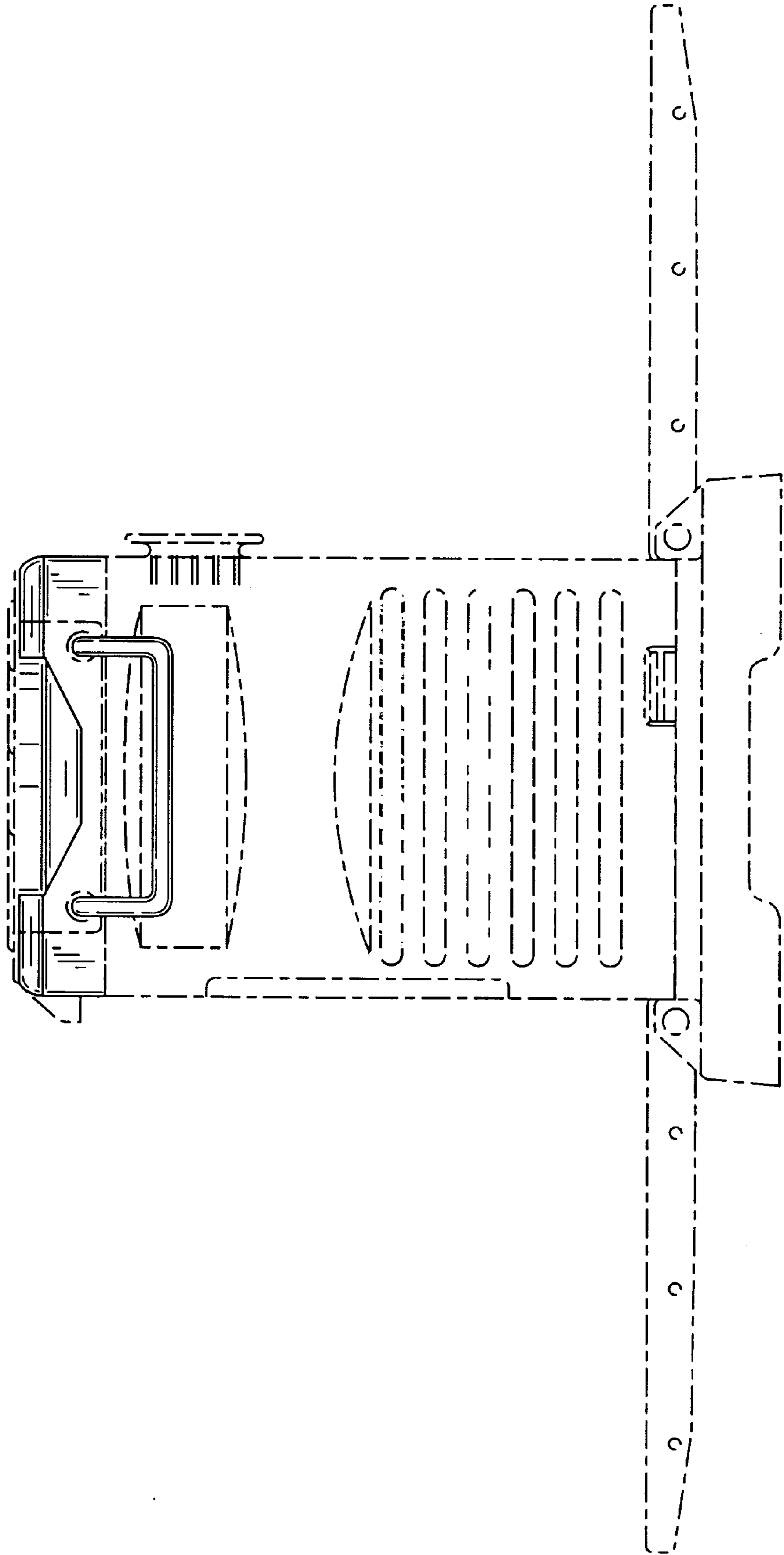


FIG. 6

